



Sideboard



Estimated Time for Assembly

60 mins

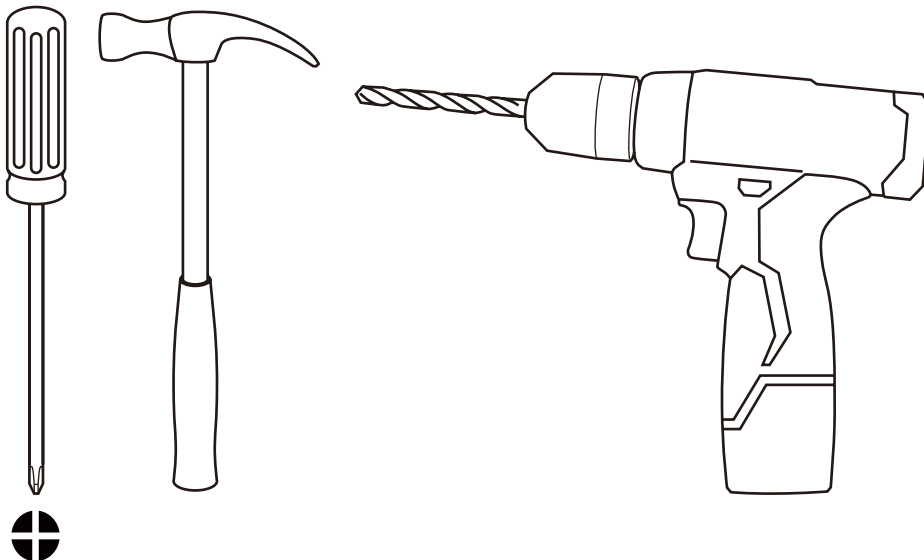


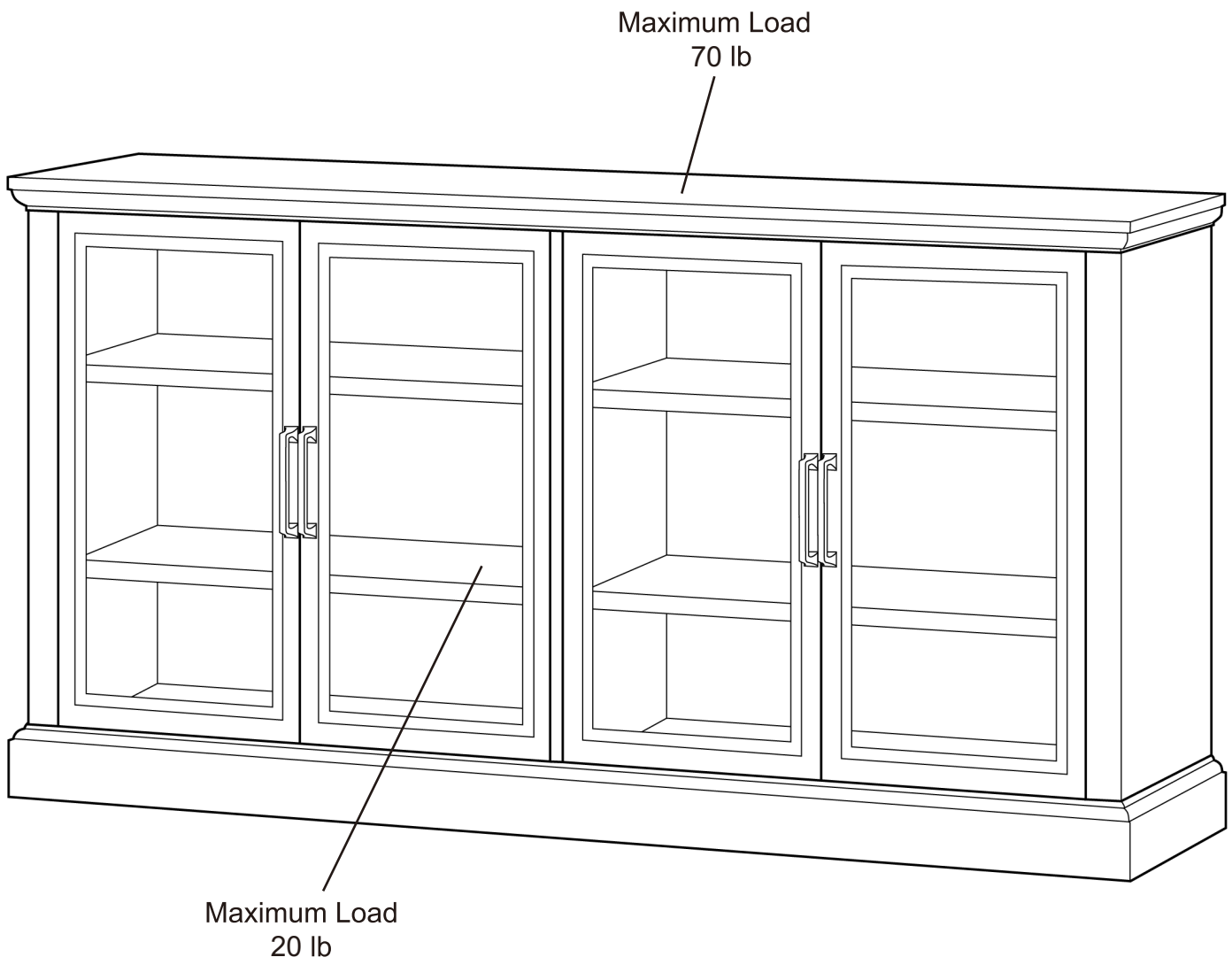
Weight Limitation

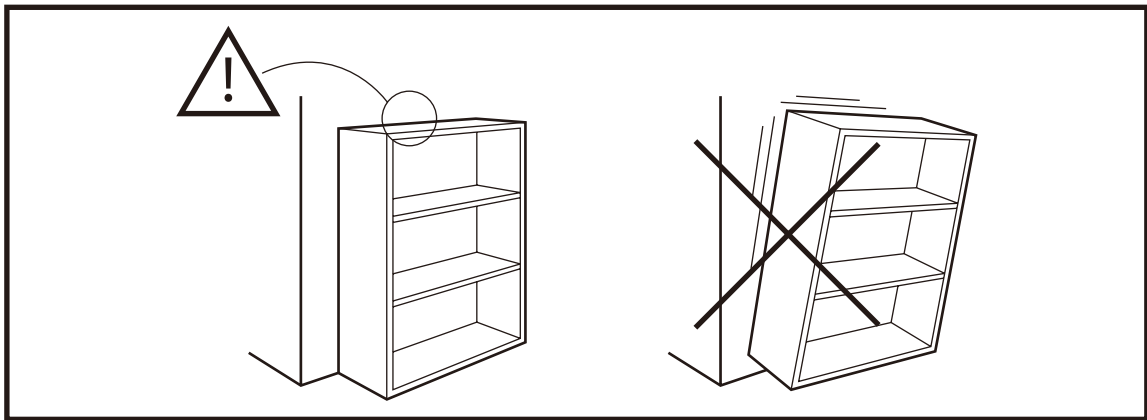
20 lb Shelf

70 lb Top

Tools Needed (Not included)



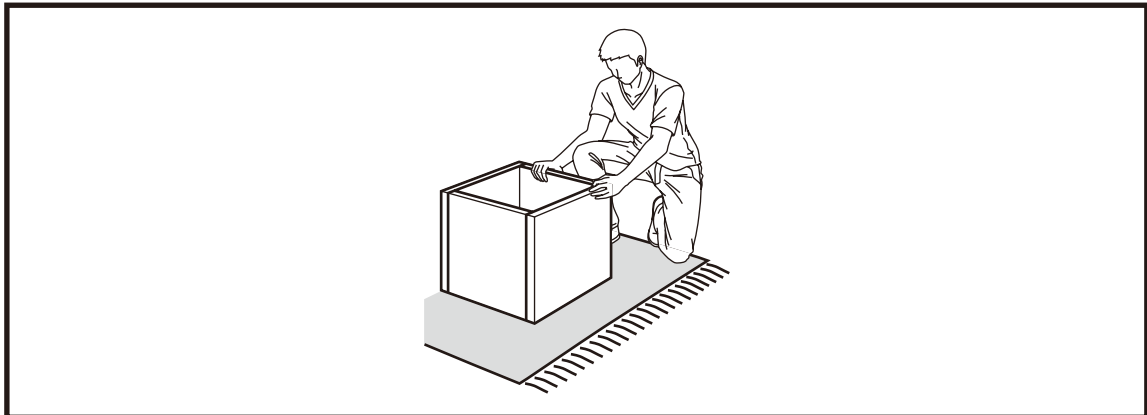




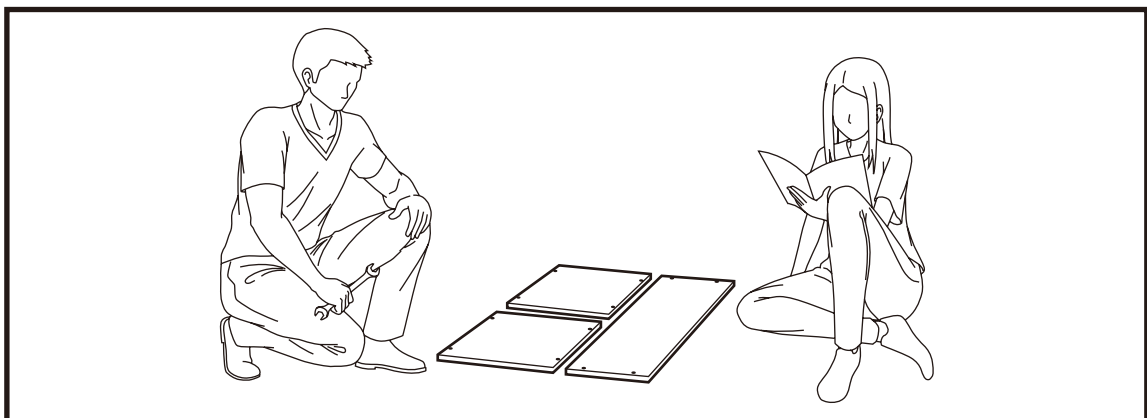
Warning

Serious or fatal crushing injuries may occur if the furniture tip-over. Furniture must permanently fixed to the wall with included anti-tipping device to prevent the furniture from tipping over.

Different wall materials requires different types of fixing device, Use suitable fixing device to secure the stability and load bearing capacity of the furniture. If you are uncertain about which type of fixing device to use, please contact your local hardware store.



Assembly the furniture on empty carton, carpet, or rug to prevent scratches or damage.



This furniture requires 2 people to assembly.

Make sure no parts are missing or damaged before assembly.

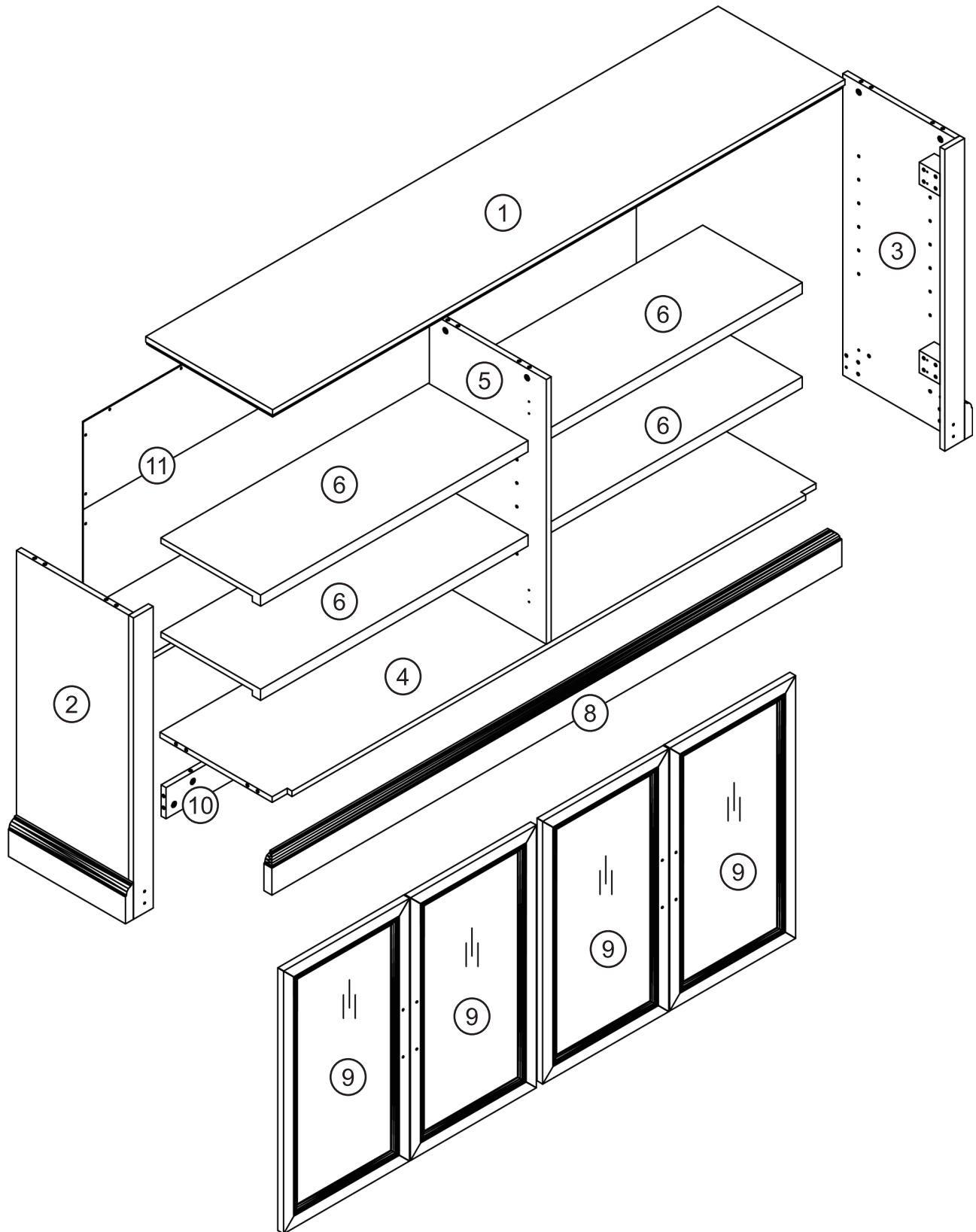
PACKAGE CONTENT(A)

CODE	DESCRIPTION	QTY
1	Countertop Board	1
2	Left Lateral Plate	1
3	Right Lateral Plate	1
4	Bottom Plate	1
6	Laminate	2
9	Cabinet Door	1
8	Forefoot Strip	1
10	Back Leg	1
11	Back Panel	1

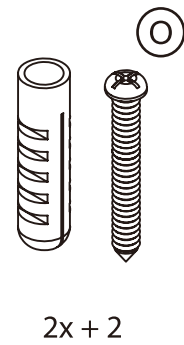
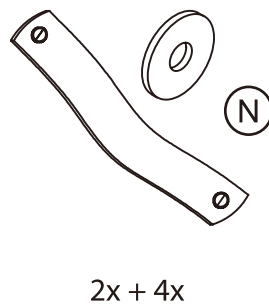
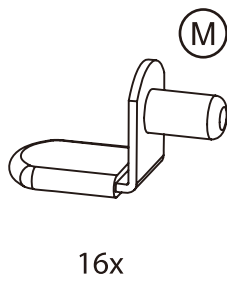
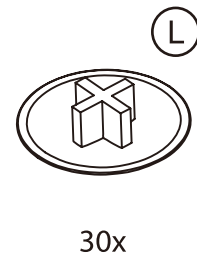
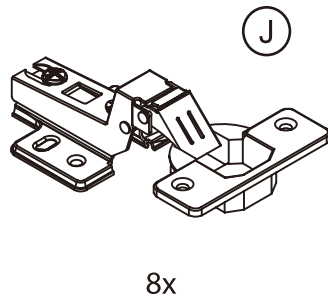
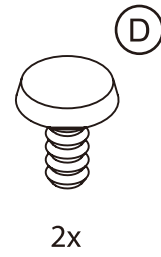
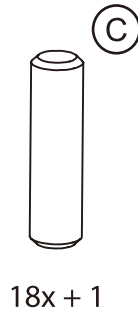
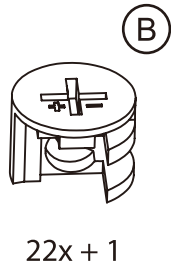
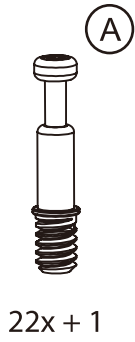
PACKAGE CONTENT(B)

5	Right Medial Plate	1
6	Laminate	2
9	Cabinet Door	3

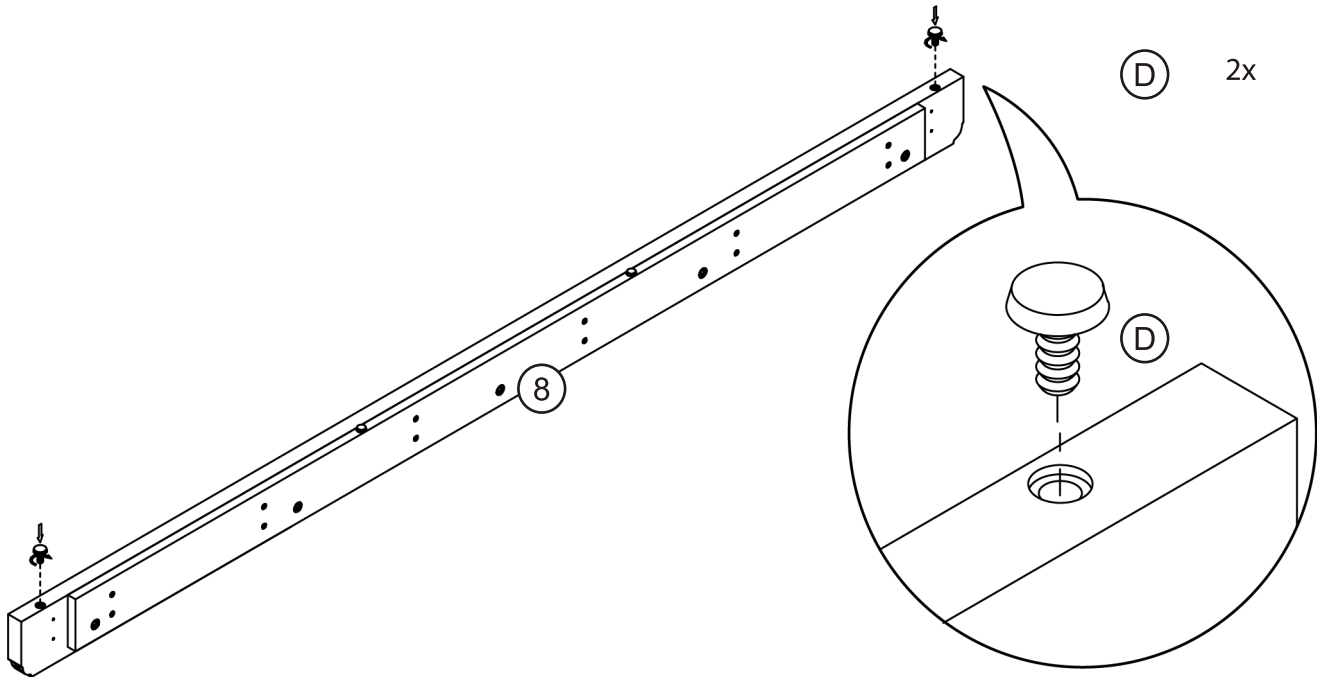
PACKAGE CONTENT



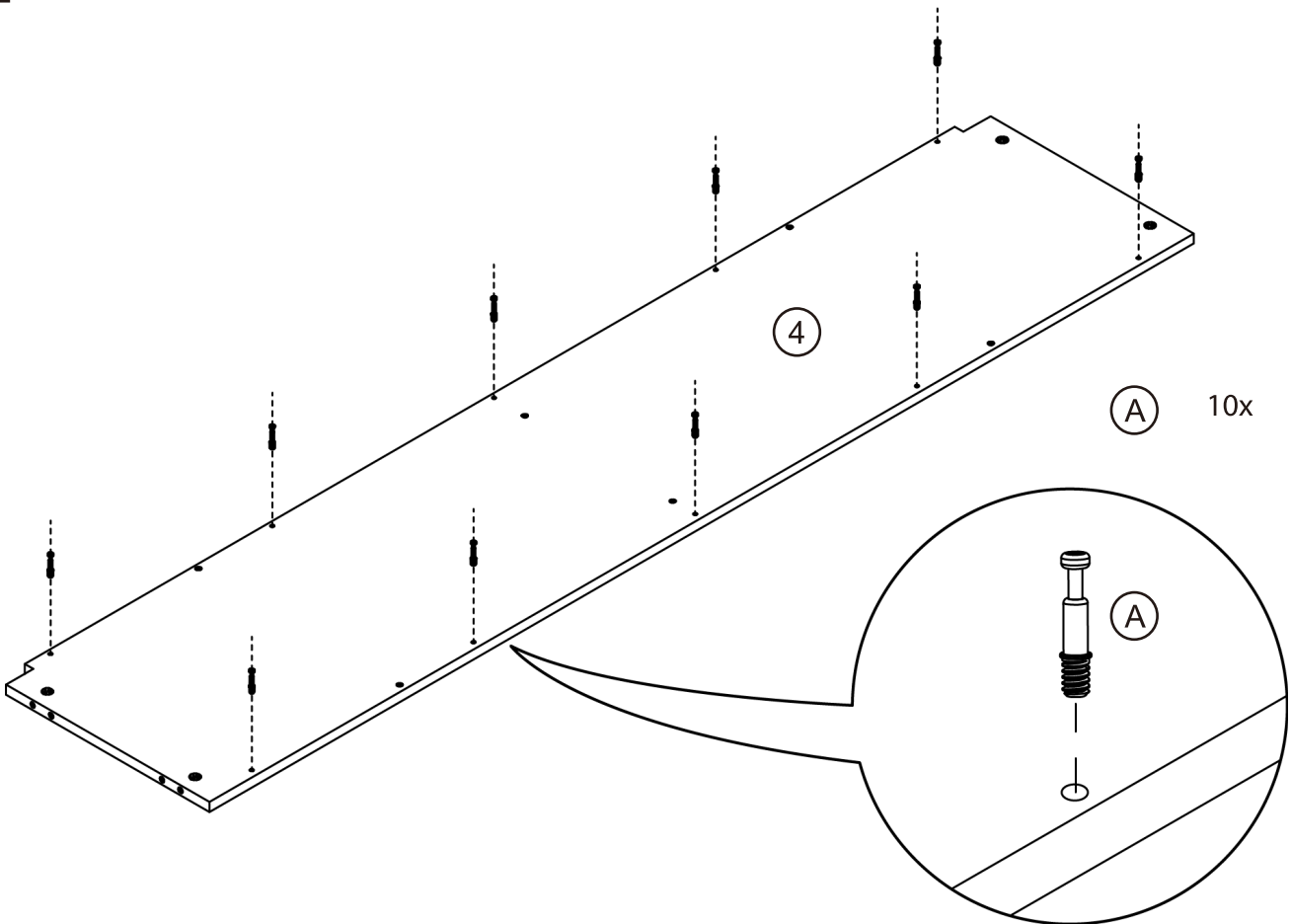
PACKAGE CONTENT



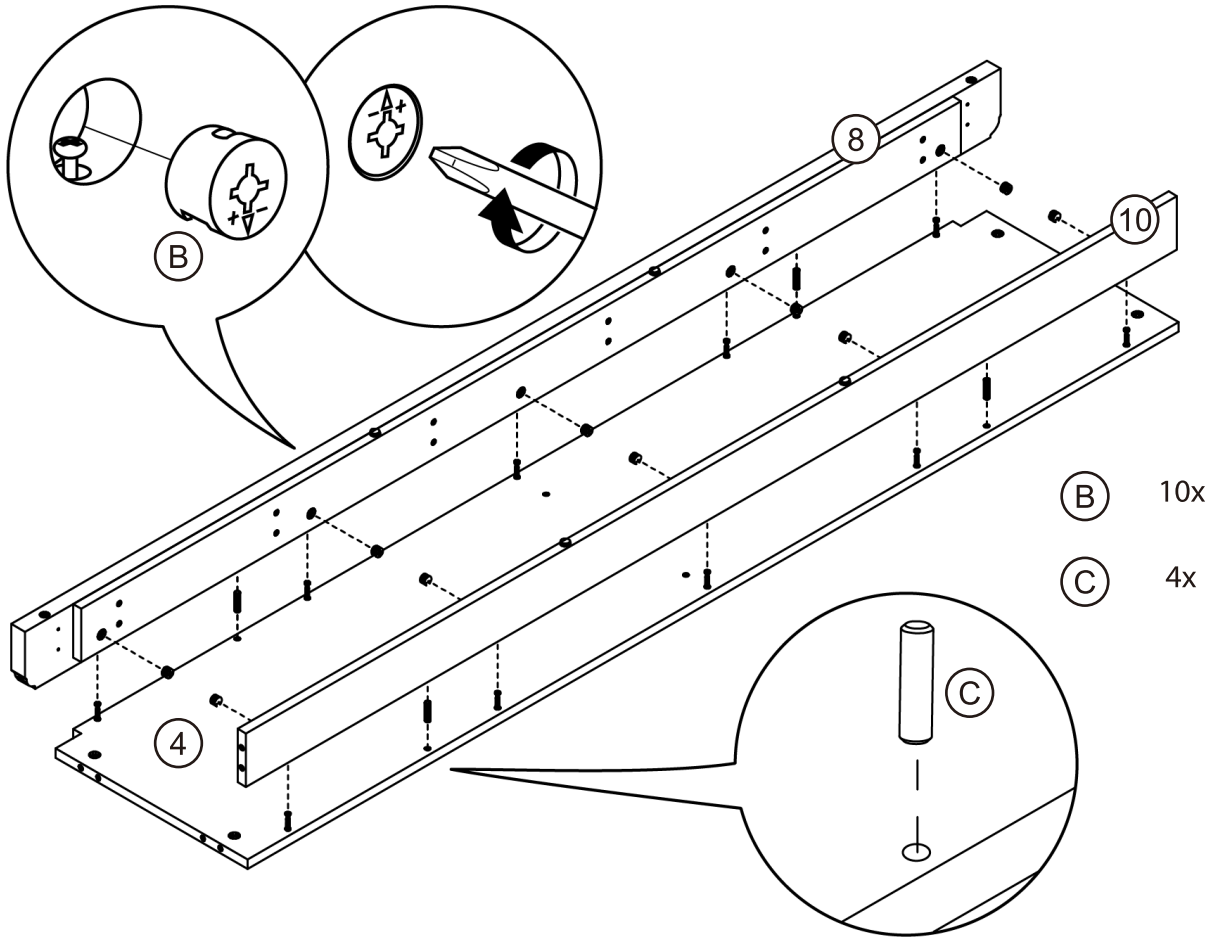
1



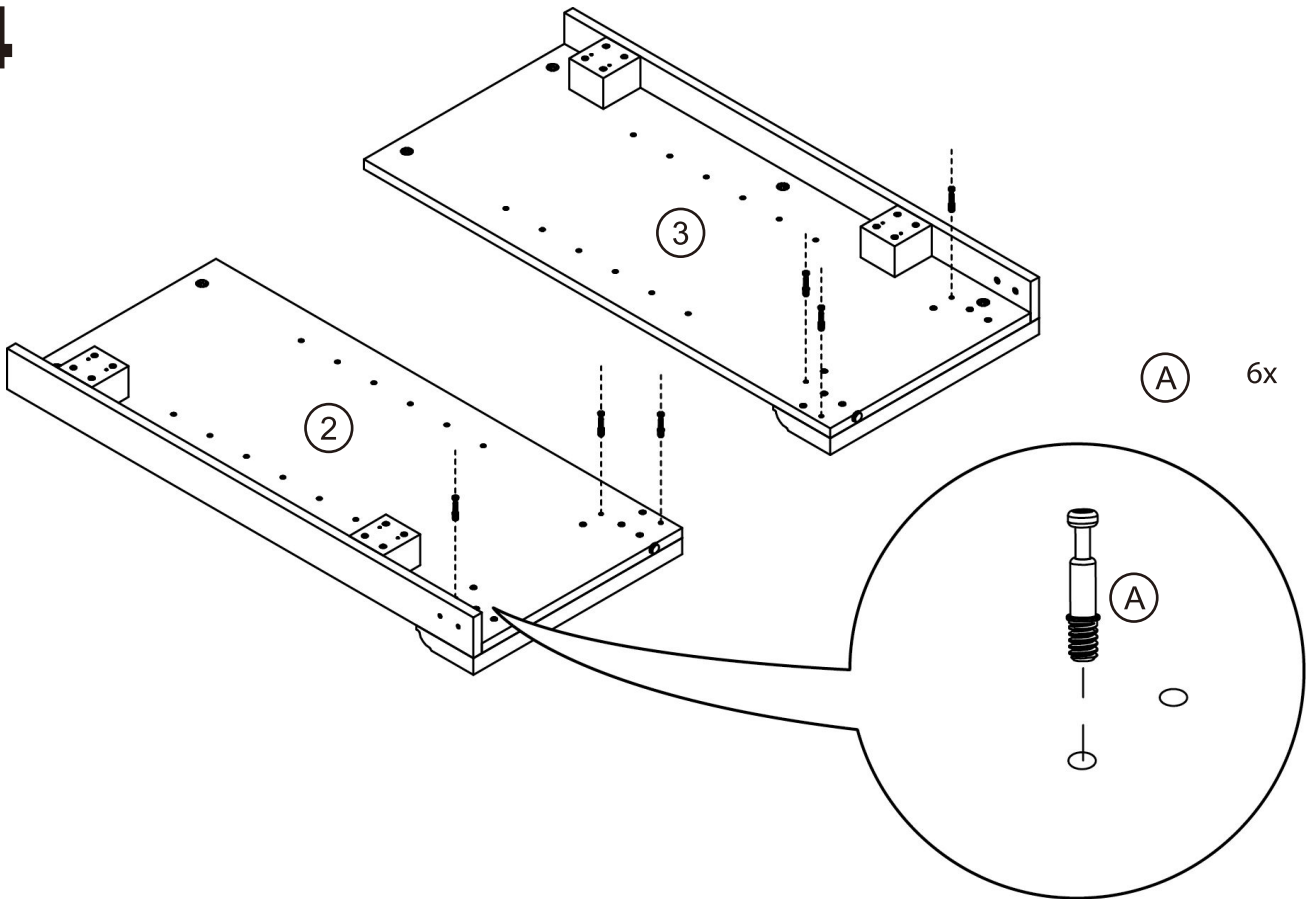
2



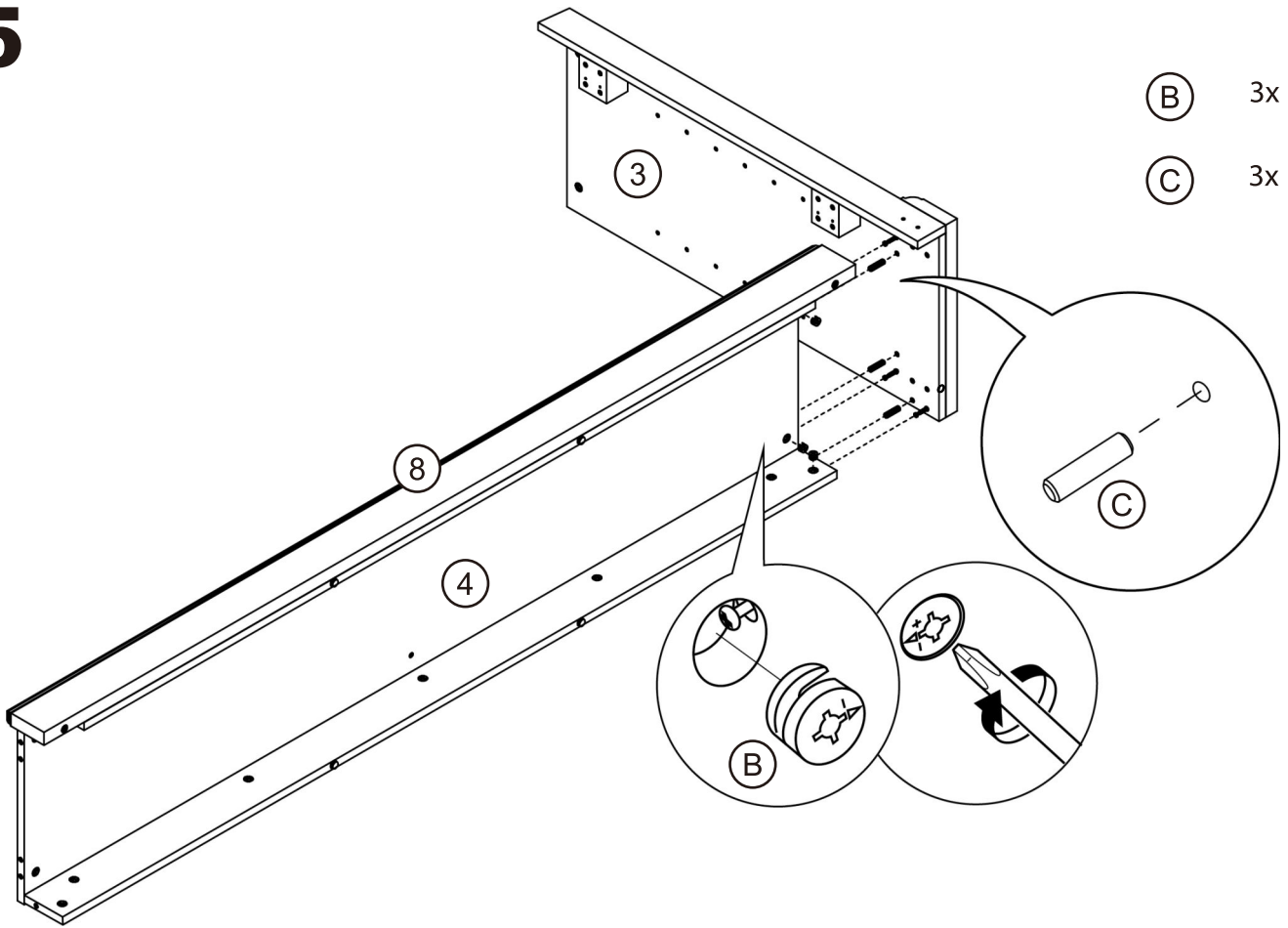
3



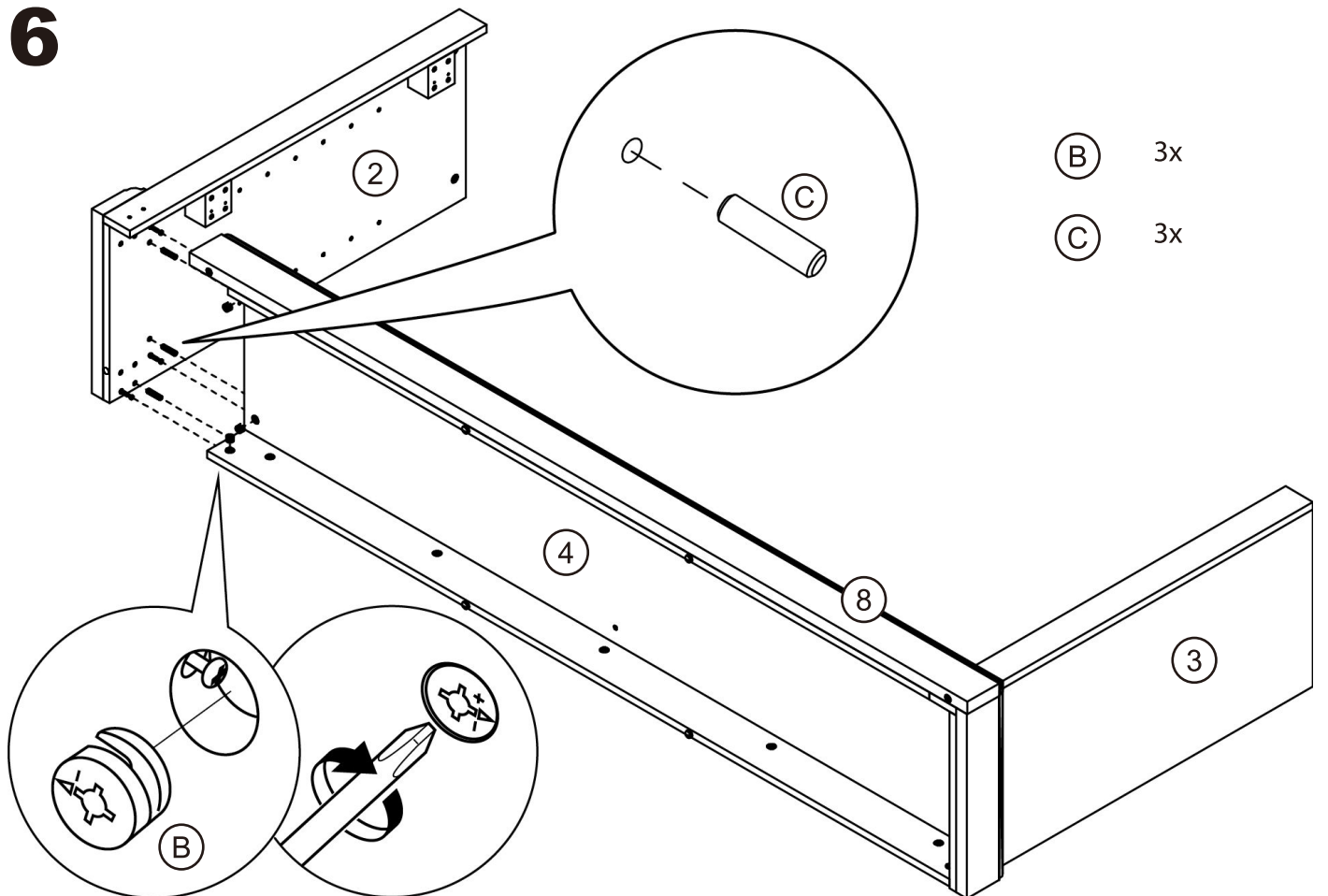
4



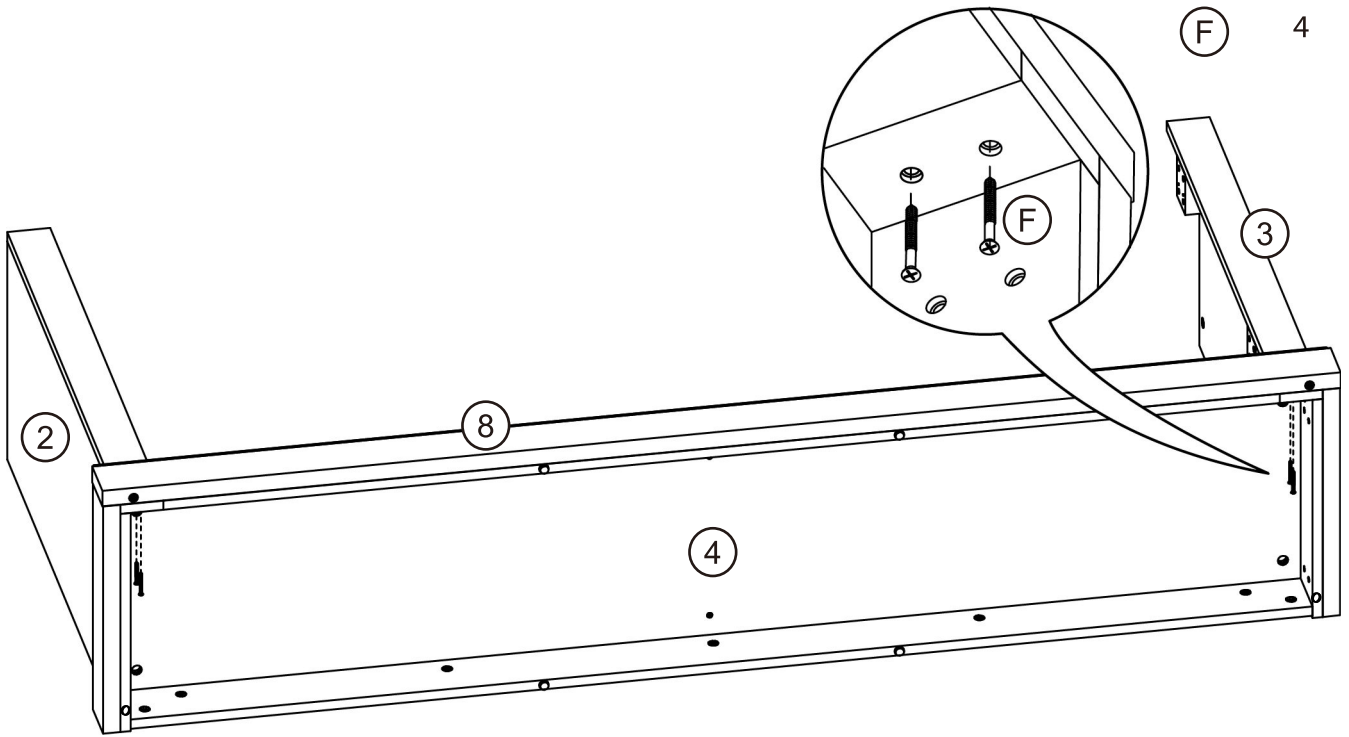
5



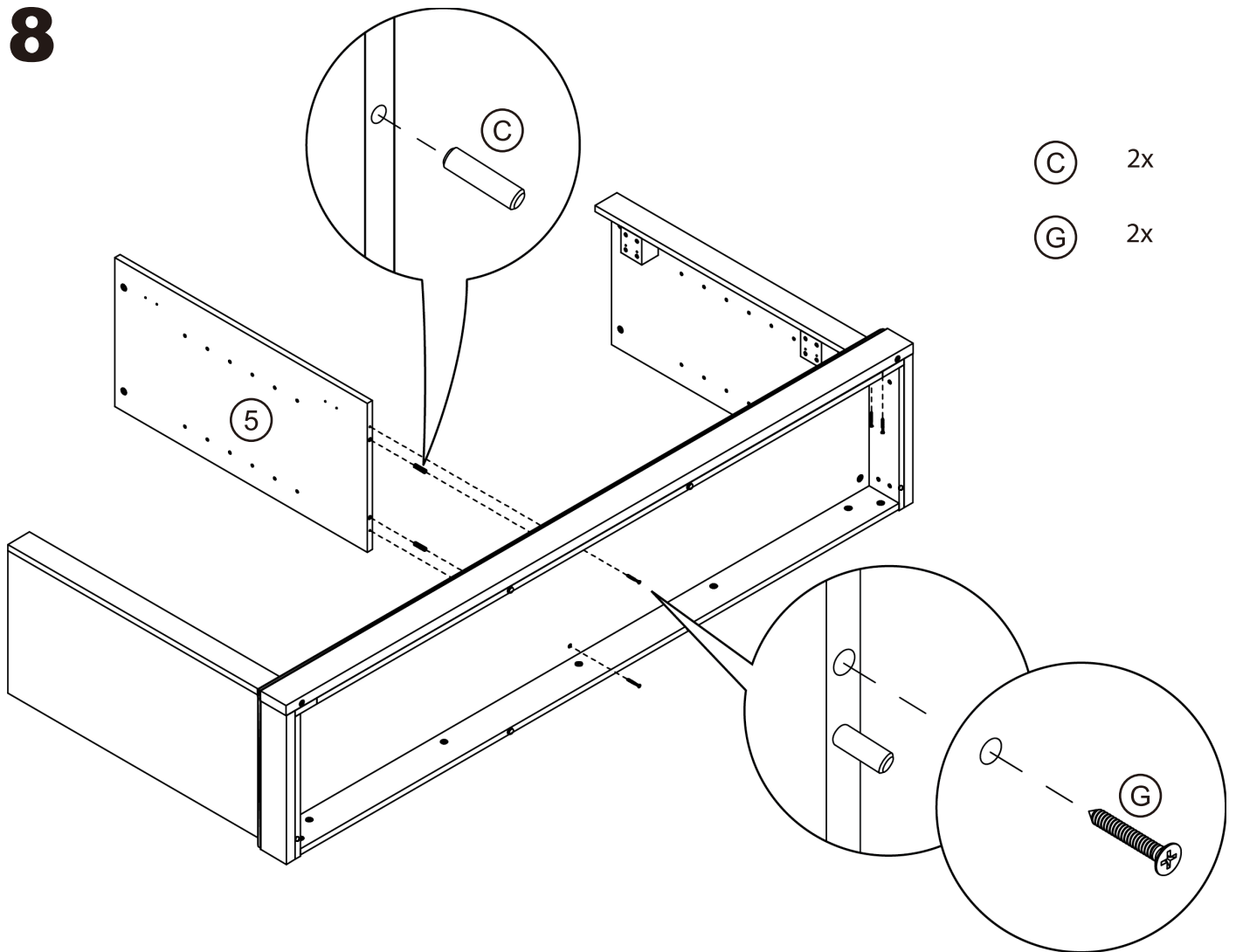
6



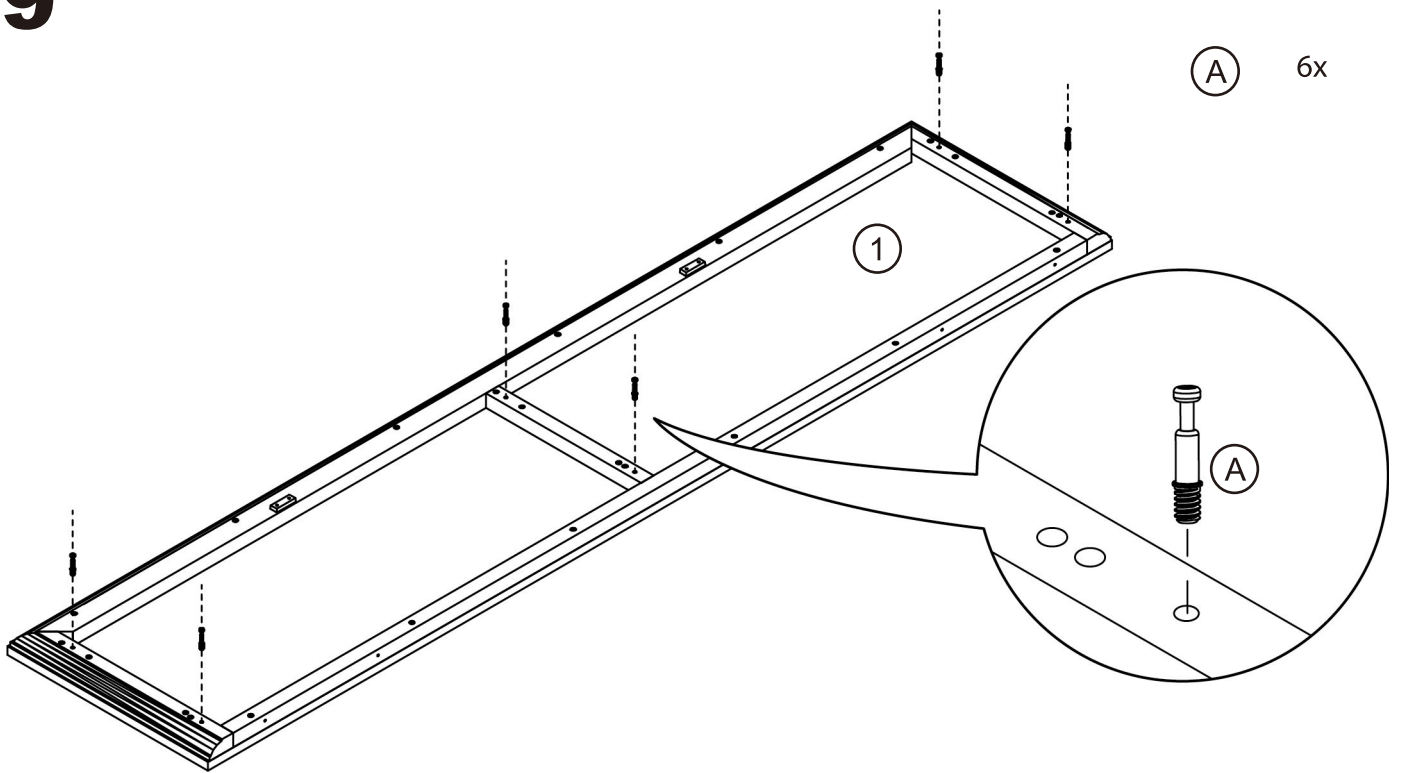
7



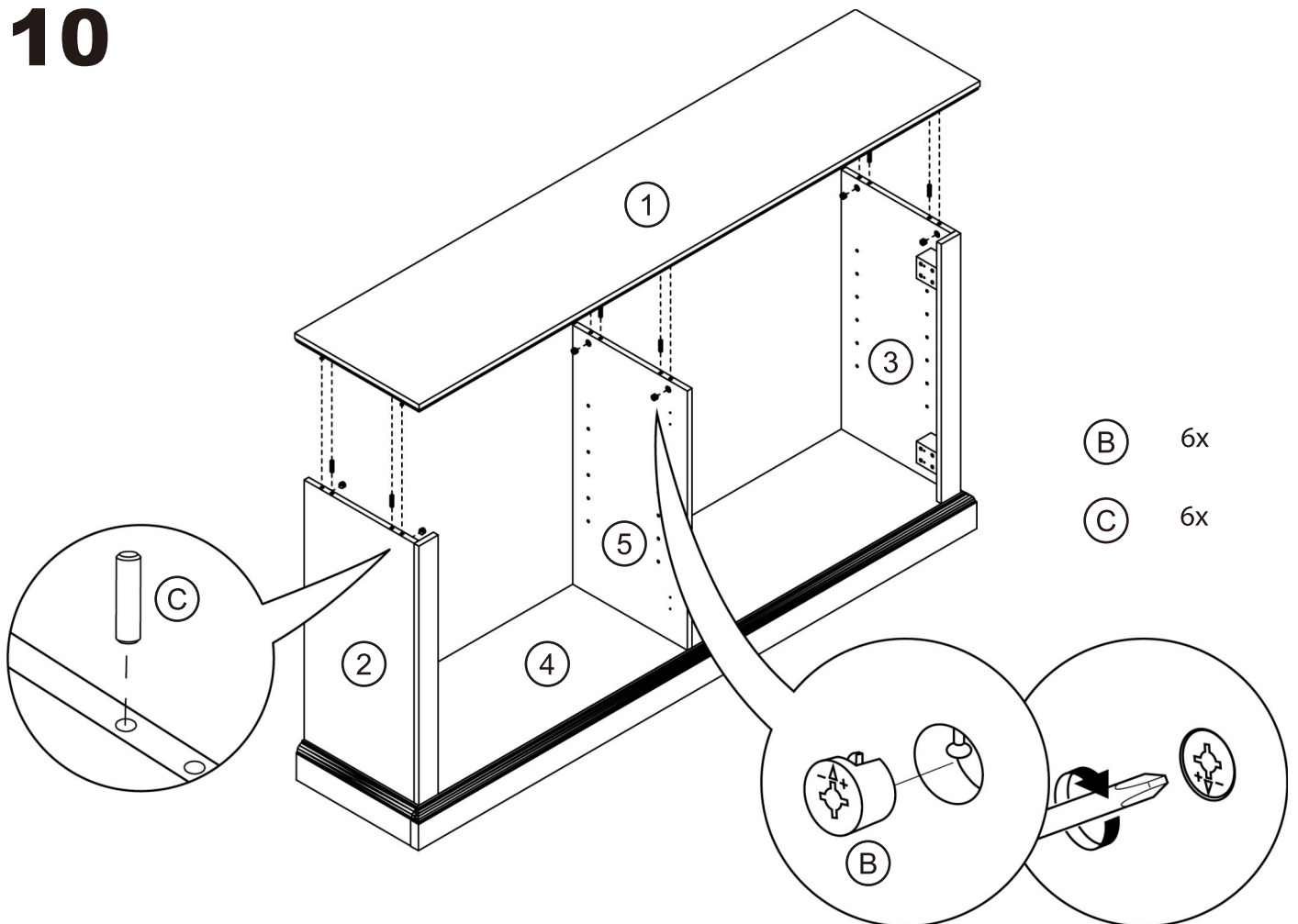
8



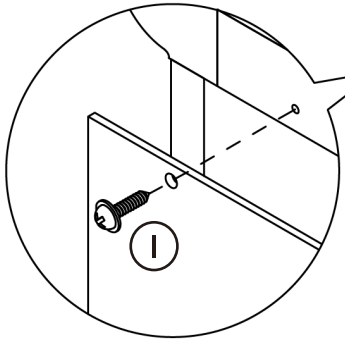
9



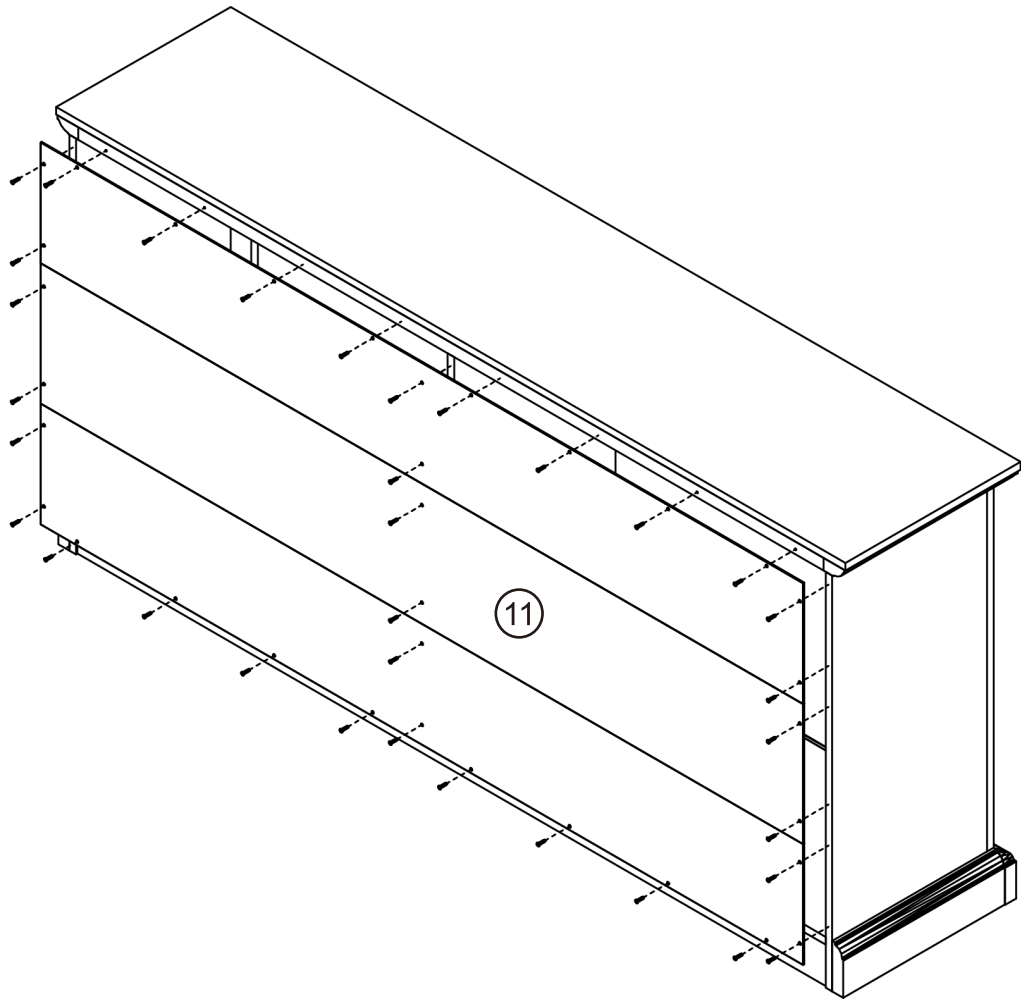
10



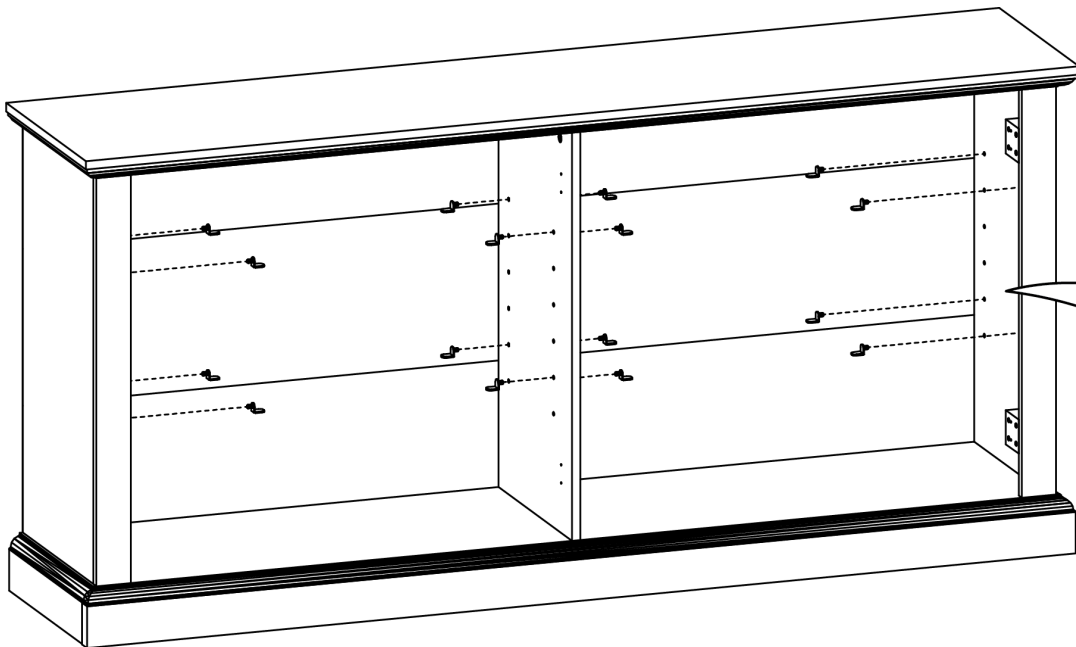
11



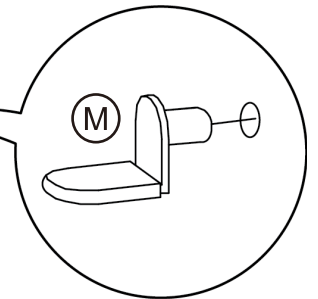
I 34x



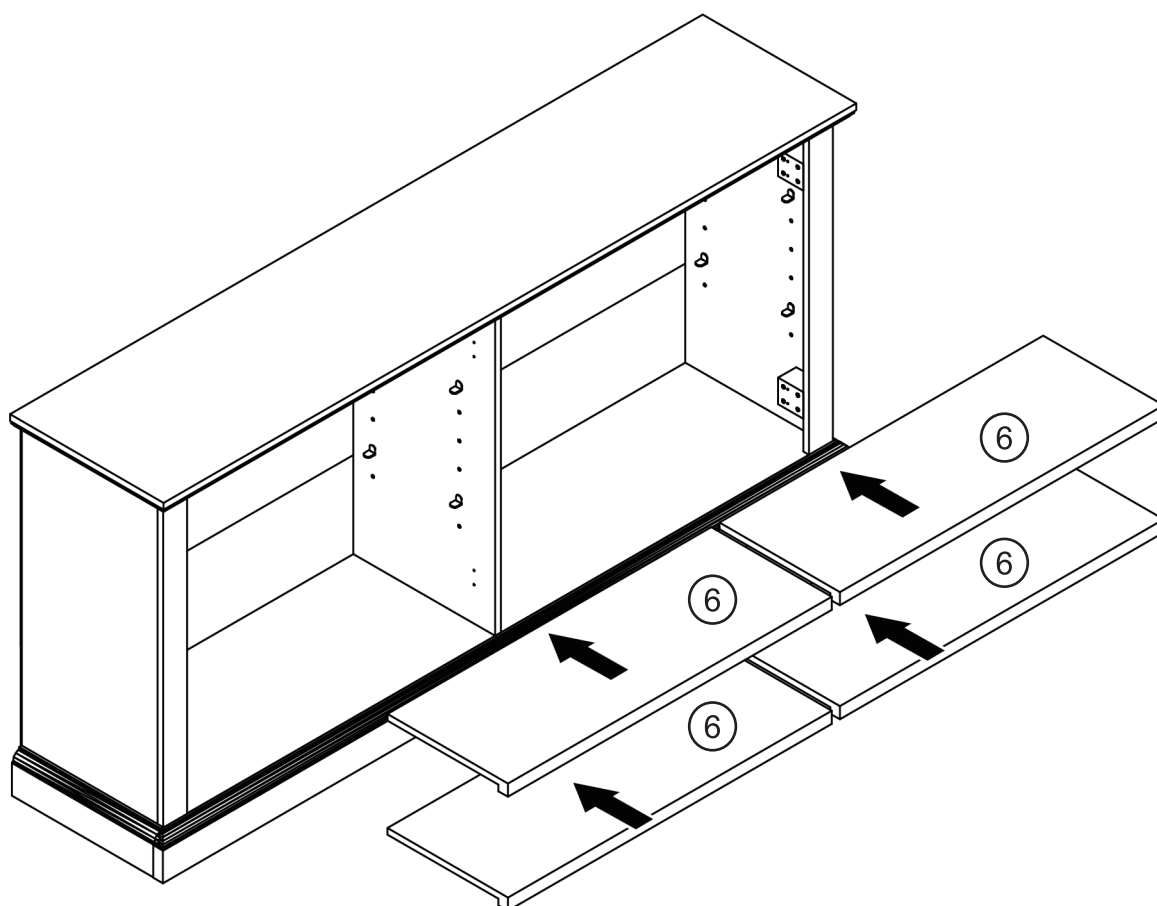
12



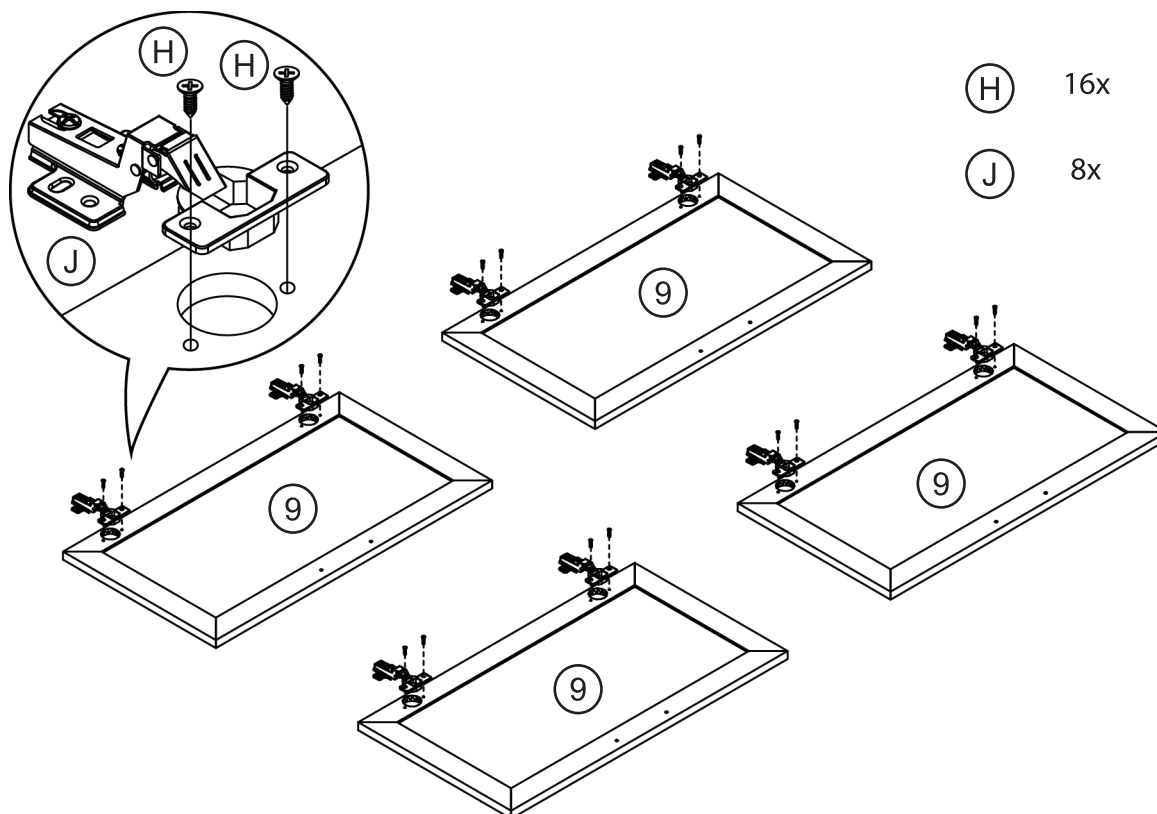
M 16x



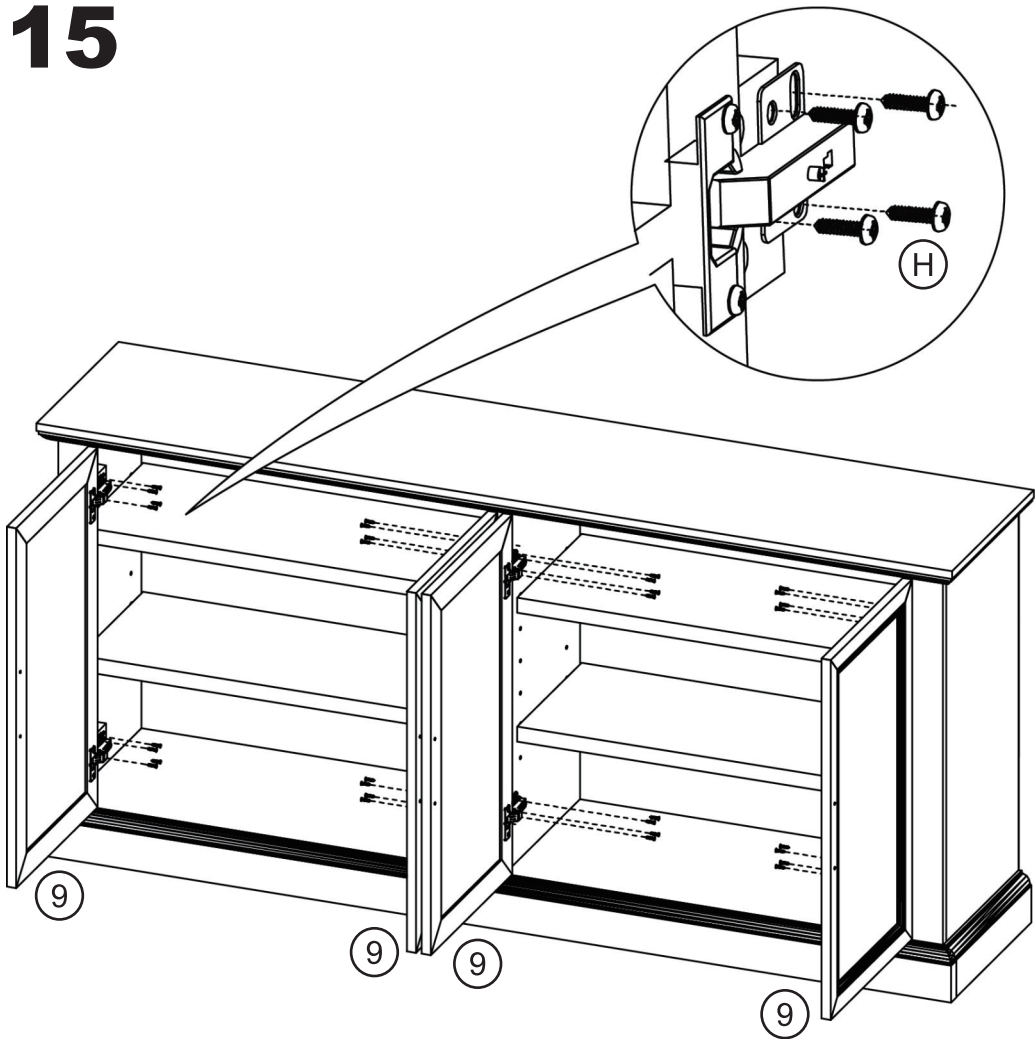
13



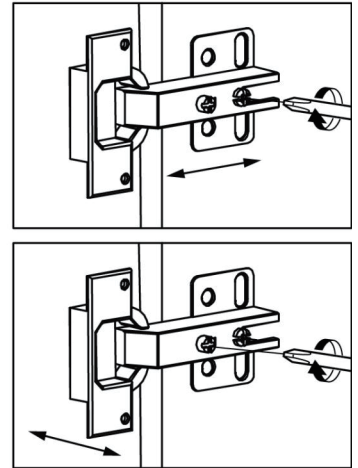
14



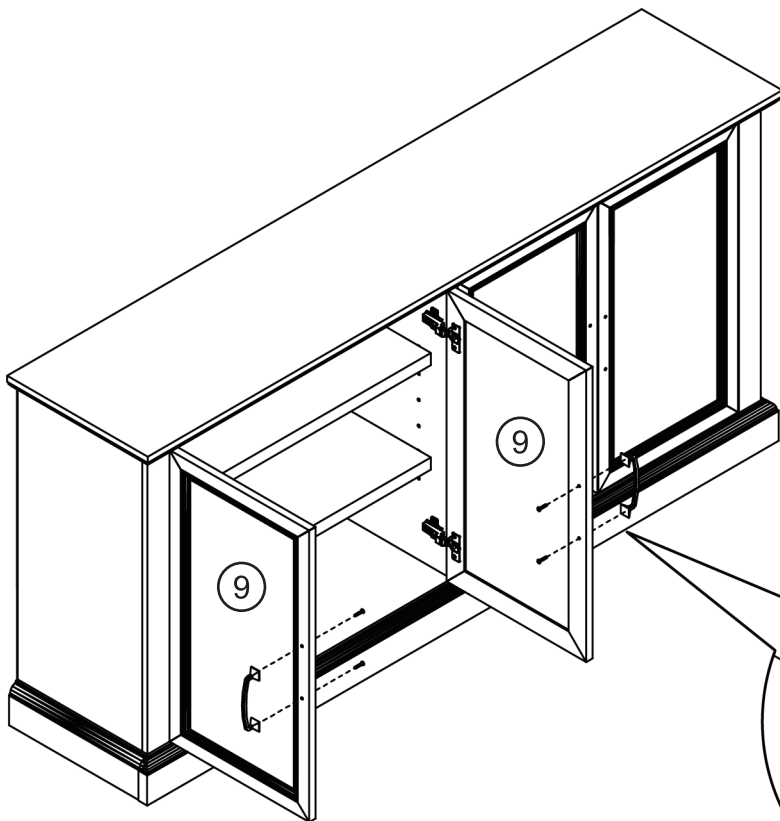
15



(H) 32x

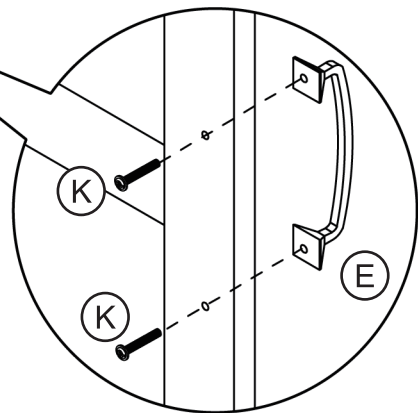


16

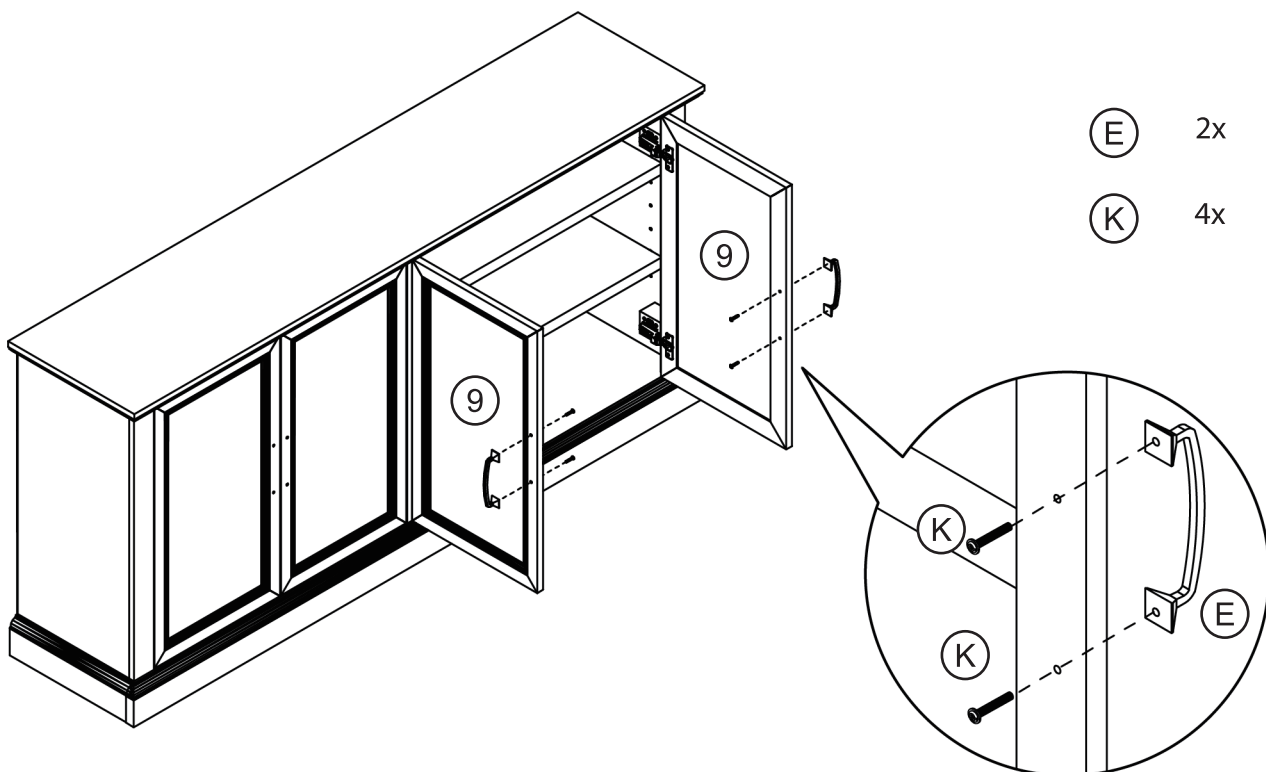


(E) 2x

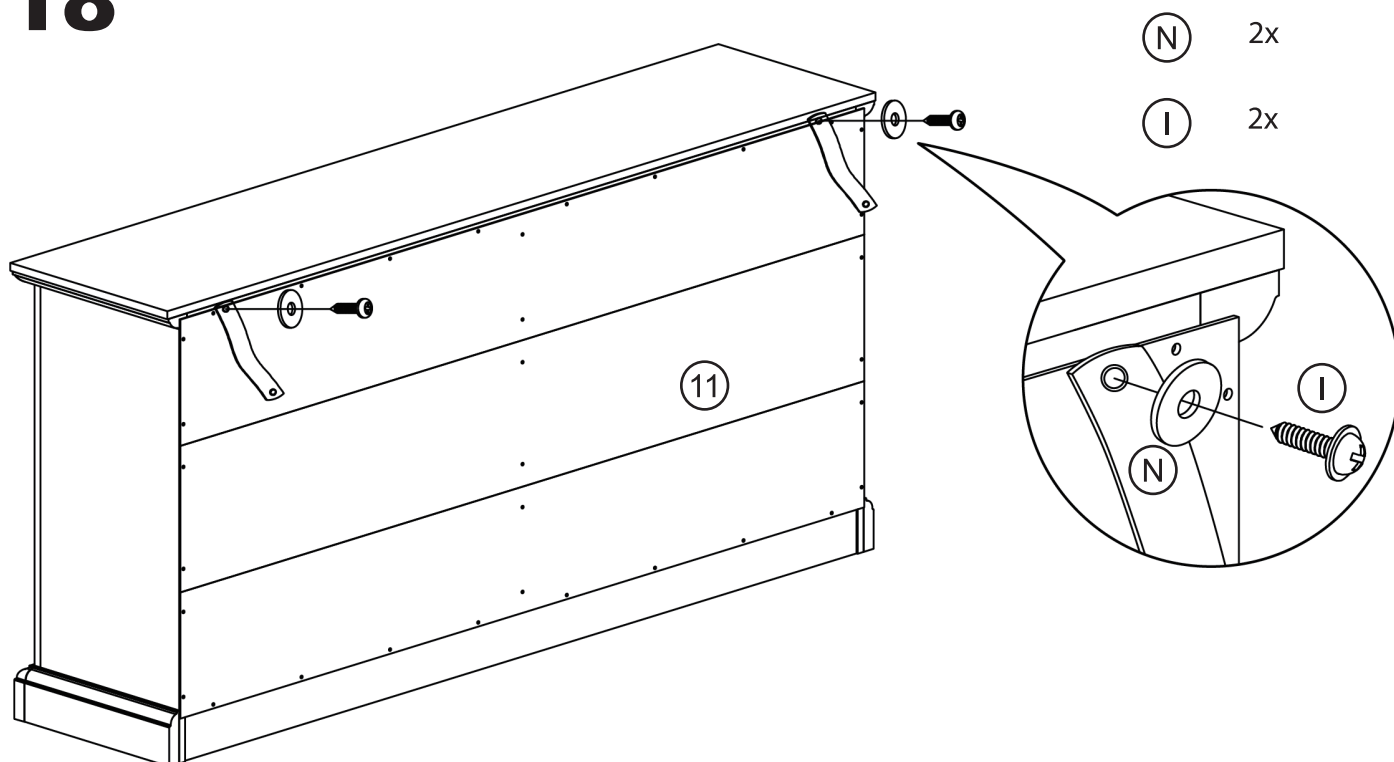
(K) 4x



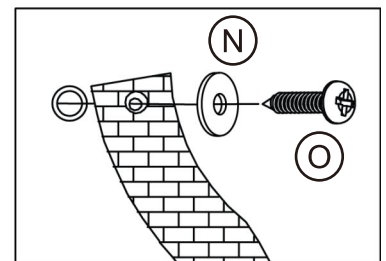
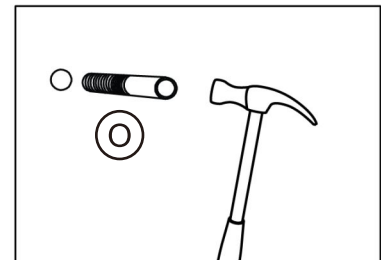
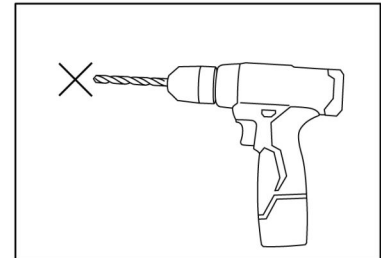
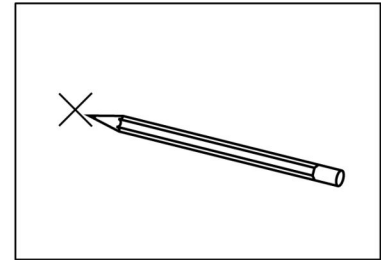
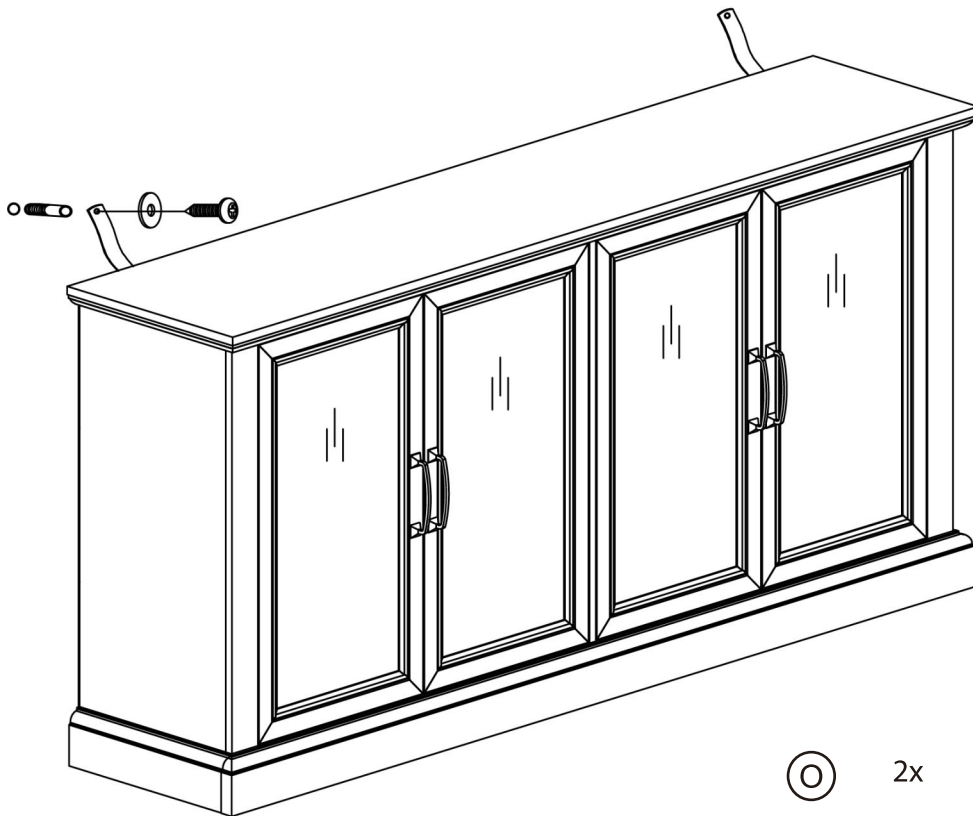
17



18



19



Furniture must permanently fixed to the wall stud with included anti-tipping device to prevent the furniture from tipping over.

- Mark the drill position on the wall with a pencil.
- Drill a small hole on the marked position.
- Insert a wall anchor into the drilled hole.
- Fixed the anti tipping strap to the wall with provided screws.

FINISH!

FURNITURE CARE AND MAINTENANCE

Medium - Density Fiberboard

Thank you for your purchase. We want your item to last as long as possible. To ensure the product gives you years of service, please refer to this care and maintenance guide.



MAINTENANCE

- Tighten all bolts and screws again within the first 2 weeks of assembly.
- Check the tightness of all bolts every 2 months, tighten them if necessary.



CLEANING

- Clean the surface of the MDF (medium - density fiberboard) with a lightly dampened cloth.
- Small amount of mild soap can be used if necessary.
- Dry the surface immediately after cleaning.

⚠ DO NOT use bleach or alcohol detergent to clean the surface.

⚠ DO NOT apply wood treatment on parts made with MDF.

Medium - density fiberboard will swell and distort when suffer from water damage. Make sure to dry the furniture immediately after cleaning.

⚠ WARNING

Manufacturer and seller expressly disclaim any and all liability for personal injury, property damage or loss, whether direct, indirect, or incidental, resulting from the incorrect attachment, improper use, inadequate maintenance, unapproved modification, or neglect of this product.

Warranty

The products come with a 1 year warranty from the date of delivery. In any event that the product arrives damaged or missing parts, we are more than happy to provide you with replacement part(s).

Register your product on our website to enjoy extended warranty!!