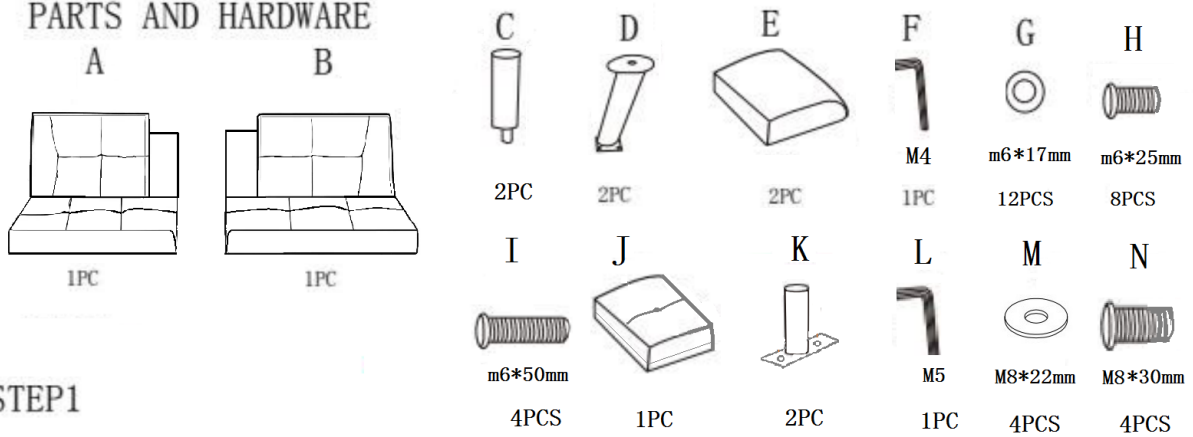


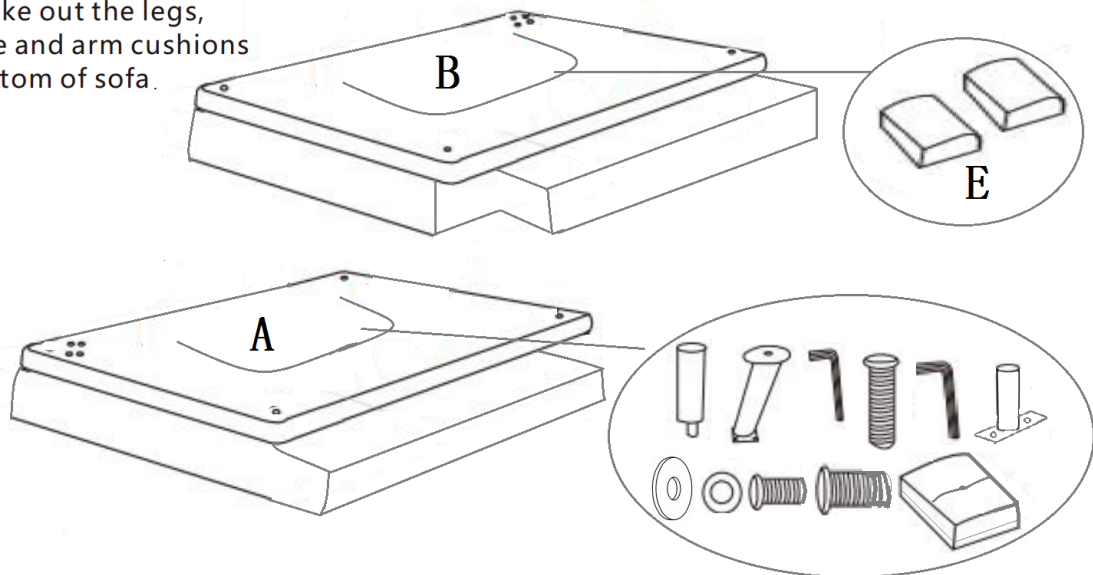
ASSEMBLY INSTRUCTIONS

PARTS AND HARDWARE

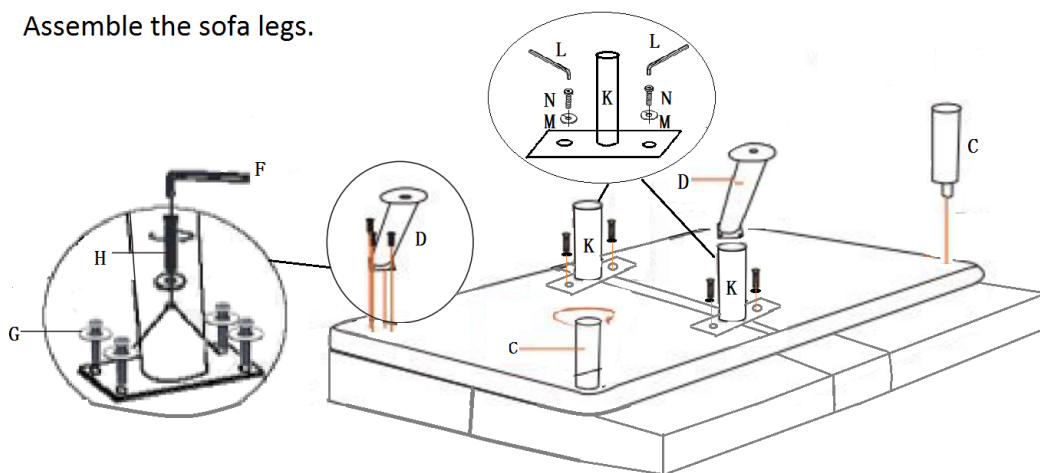


STEP1

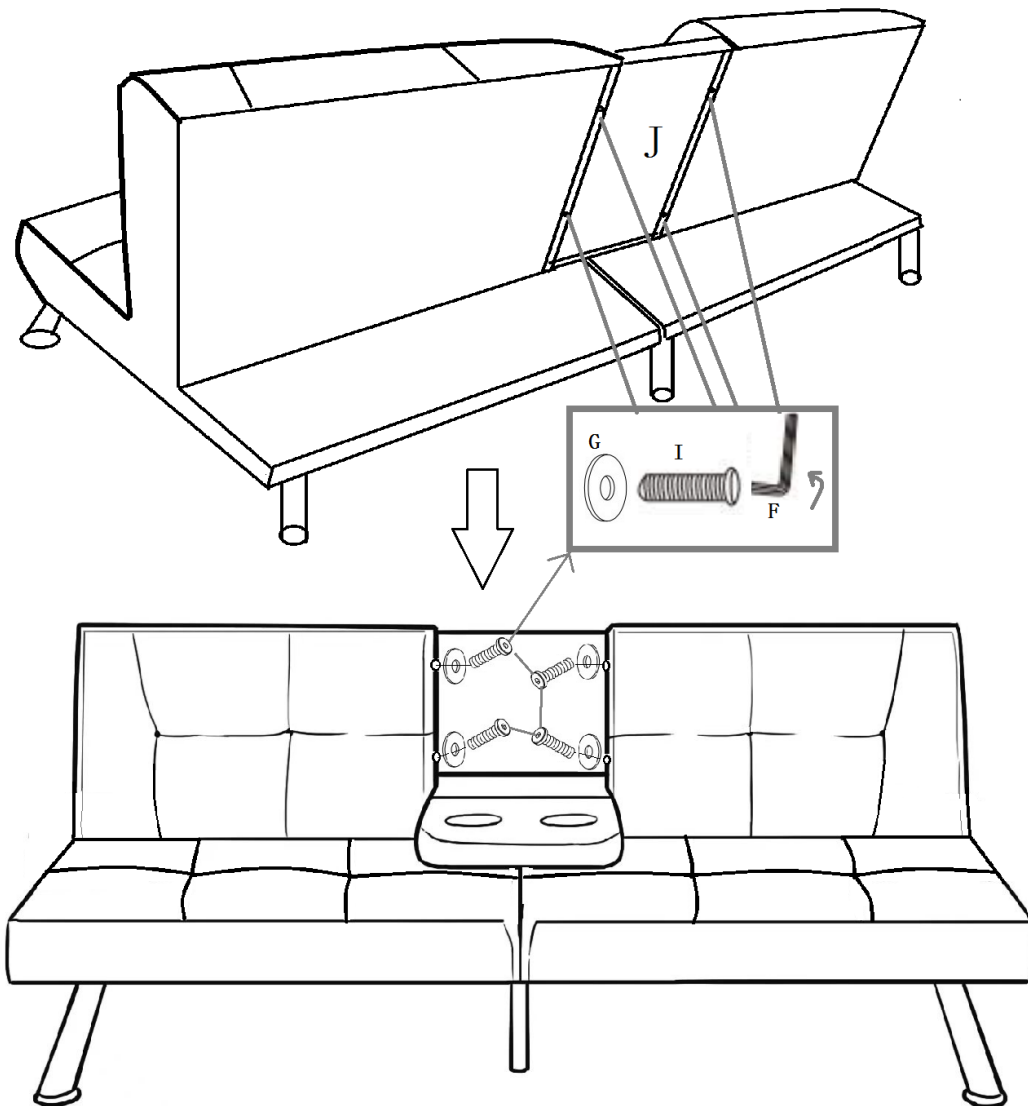
Please take out the legs, hardware and arm cushions from bottom of sofa.



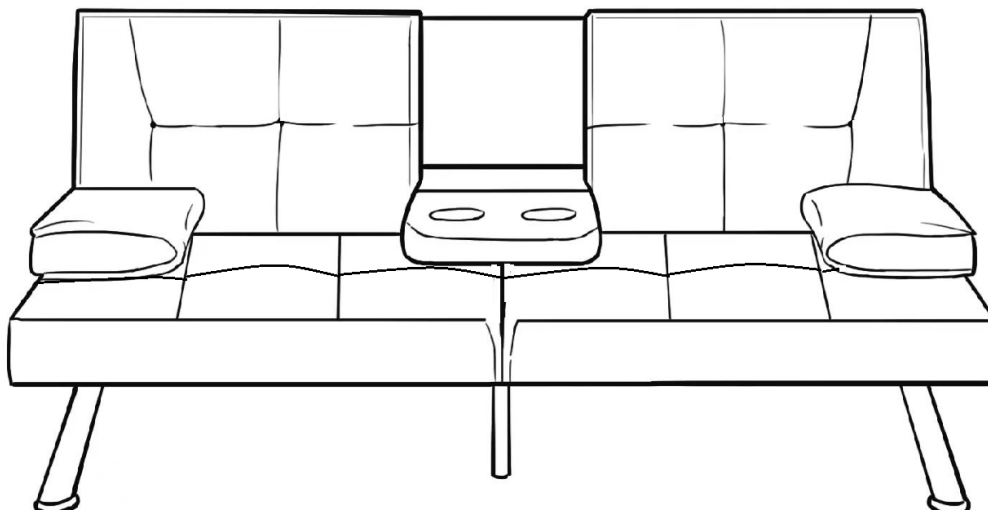
STEP2 Assemble the sofa legs.



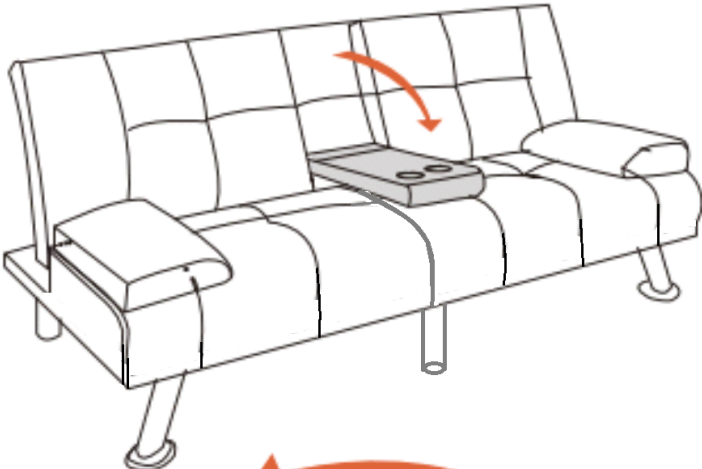
STEP3 Uncover the cloth behind J and assemble with screws.



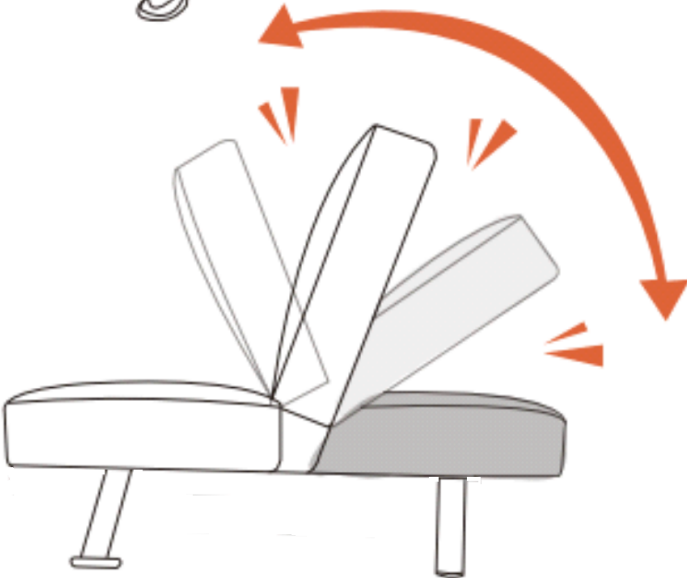
STEP4 Assembly completed.



STEP5



STEP6



STEP7

