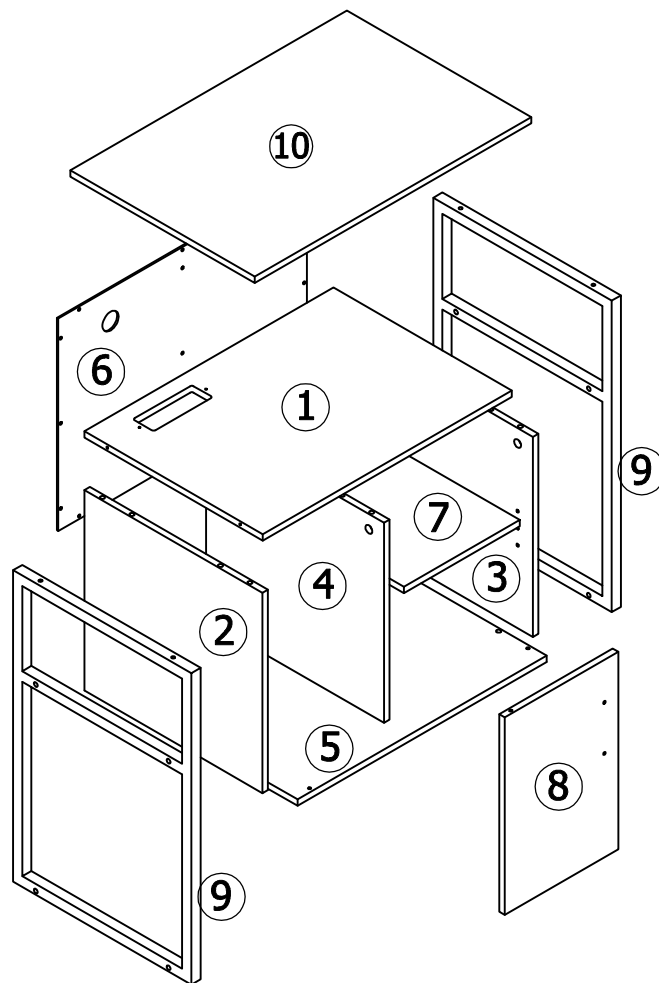
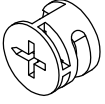
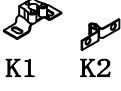
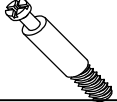

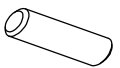

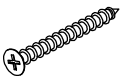













# PARTS LIST



# HARDWARE LIST

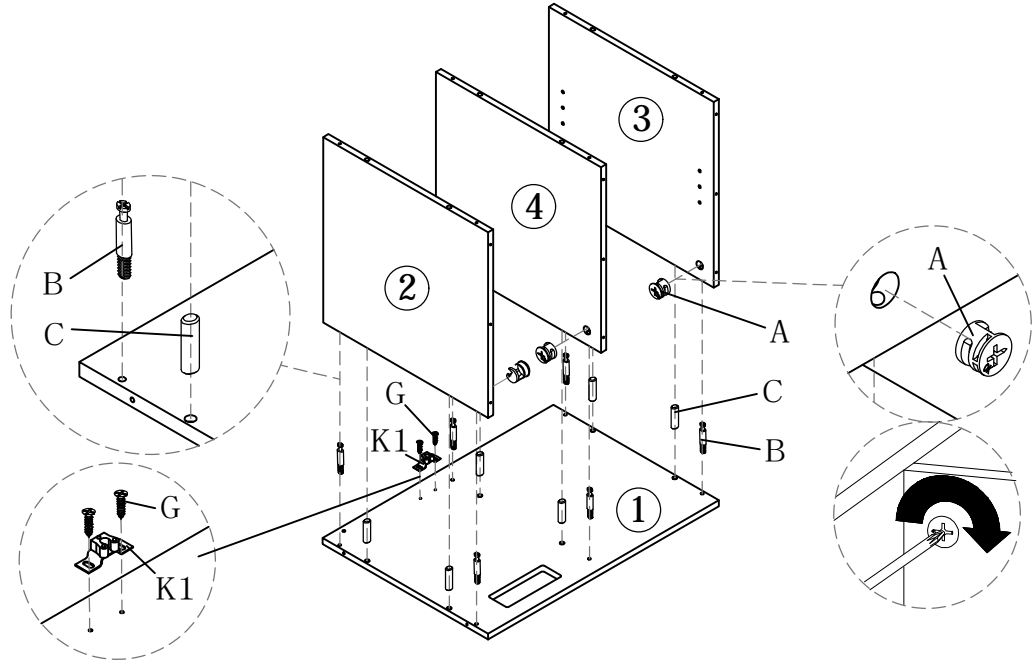
NO.	Drawing	Description	Qty	PCS SET	NO.	Drawing	Description	Qty	PCS SET
A		∅ 15x9	6	PCS	K			1	SET
B		∅ 7x35	6	PCS	L			1	PCS
C		∅ 6x30	12	PCS	M			2	PCS
D		∅ 4x40	6	PCS	N			2	PCS
E		∅ 3.5x12	15	PCS	O		12mm	1	PCS
F			5	PCS	P		M6x45	8	PCS
G		∅ 3x12	6	PCS	Q		4mm	1	PCS
H			1	PCS	R		M6x30	4	PCS
I			1	PCS					
J		M4x18	2	PCS					

# 1 ATTENTION

During assembly, first loosely align all screws with the corresponding pre-drilled holes and then tighten the screws one by one.

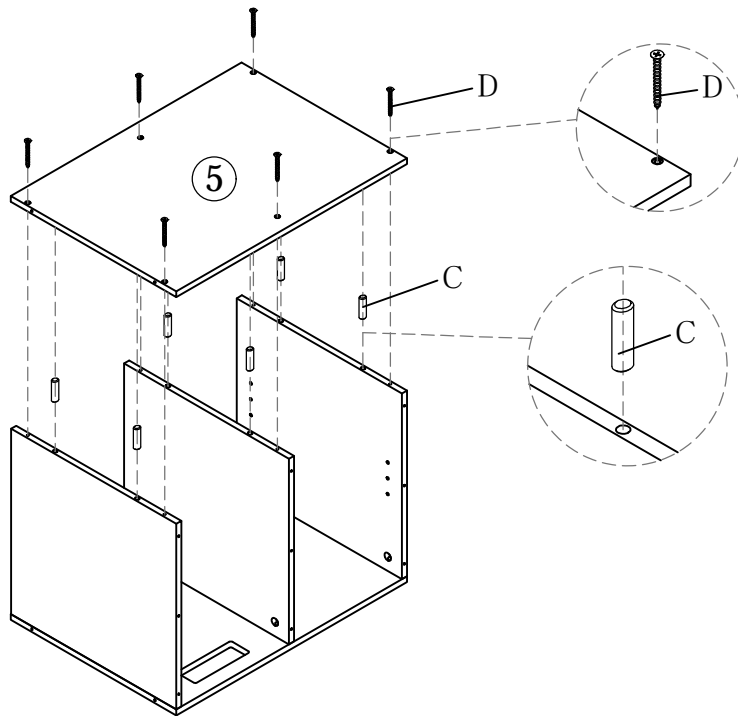
## STEP 1

- A x6pcs
- B x6pcs
- C x6pcs
- G x2pcs
- K1 x1pcs



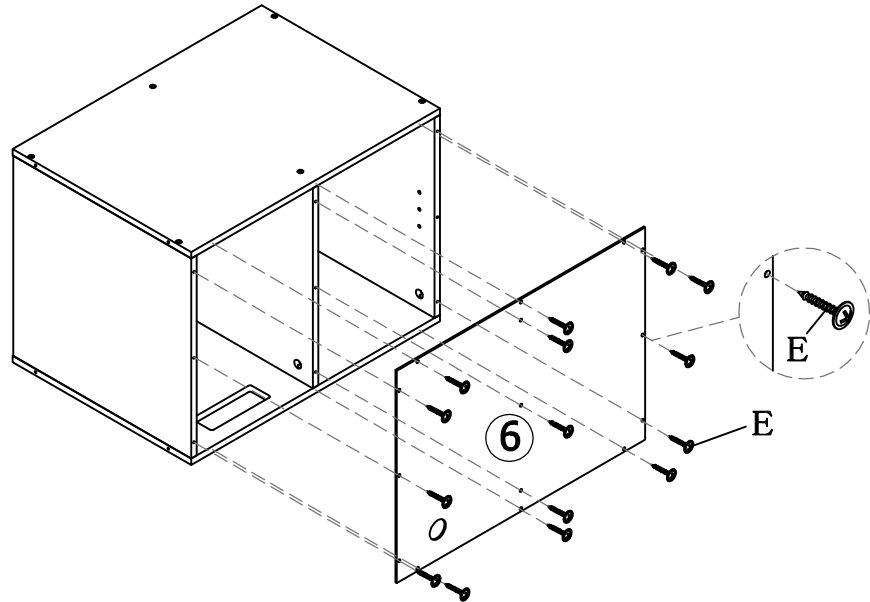
## STEP 2

- C x6pcs
- D x6pcs



## STEP 3

E x15pcs

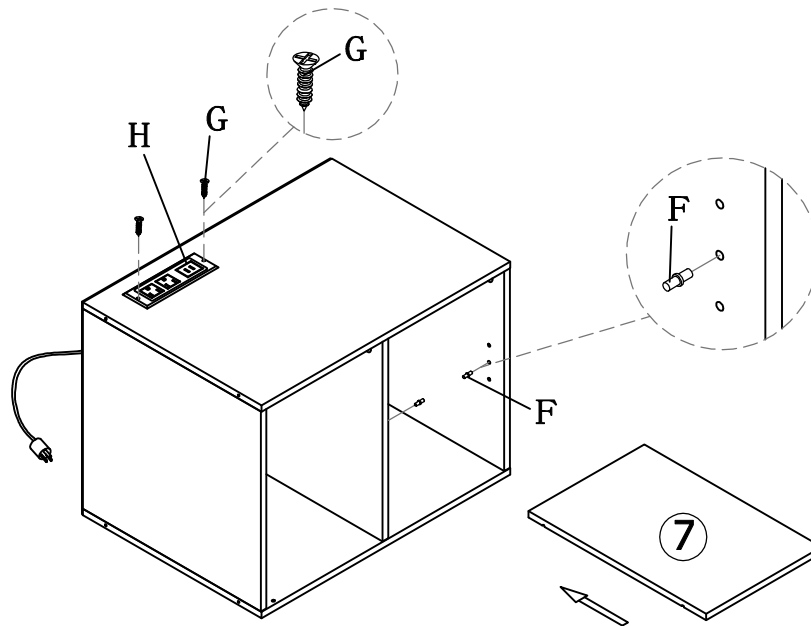


## STEP 4

F x4pcs

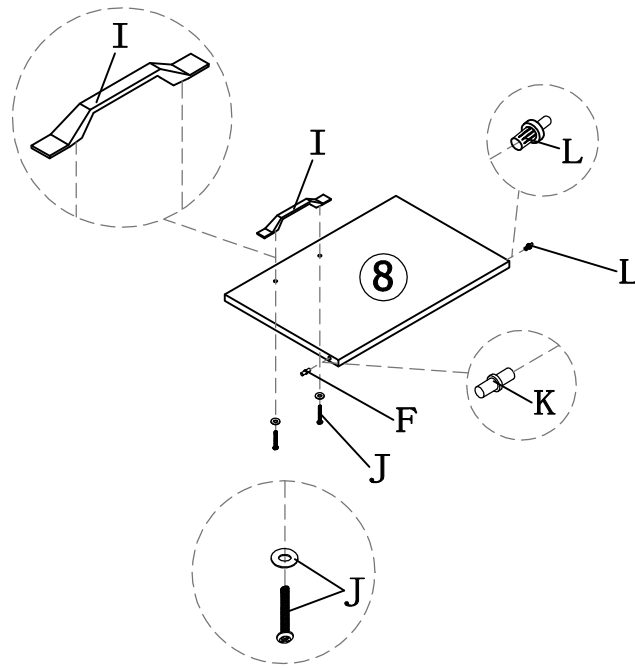
G x2pcs

H x1pcs



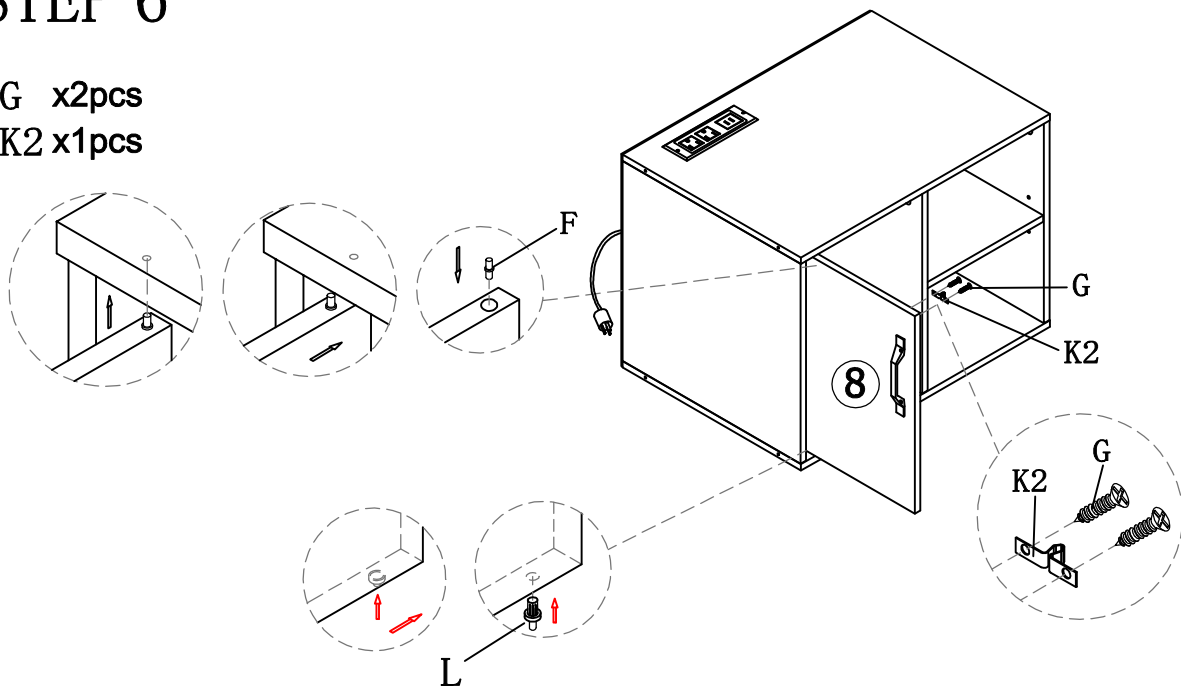
## STEP 5

- F x1pcs
- I x1pcs
- J x2pcs
- L x1pcs



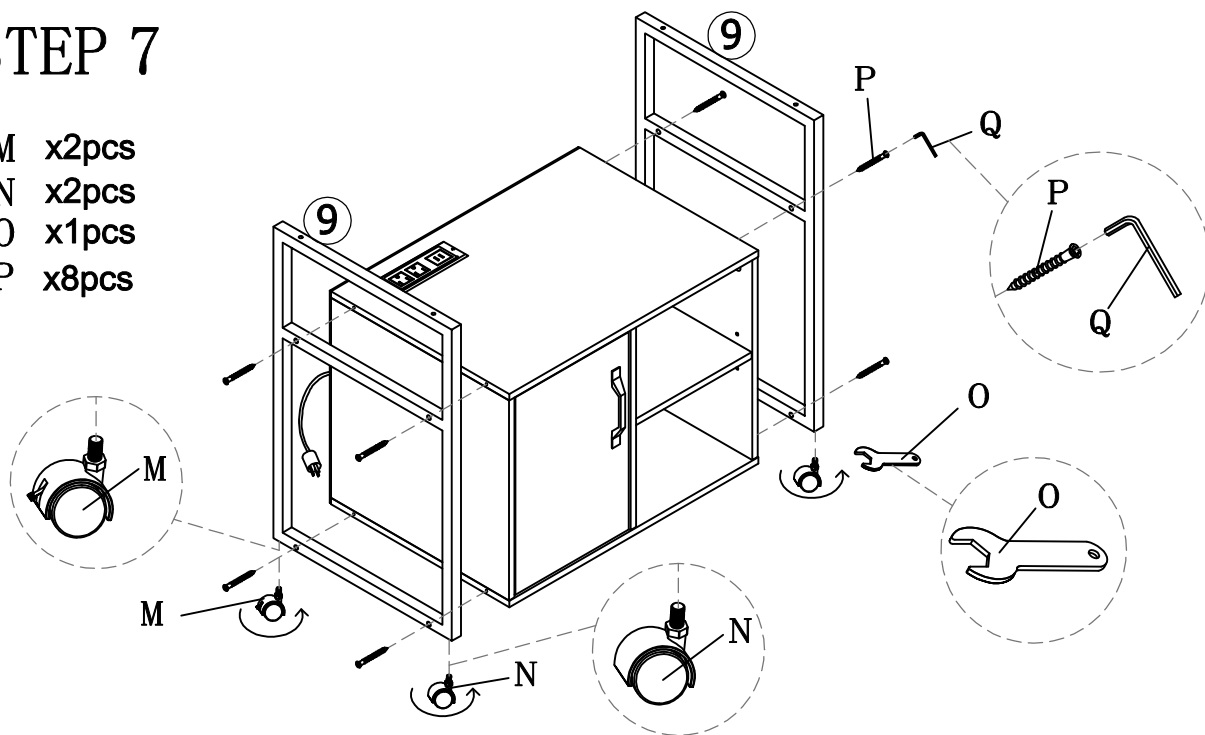
## STEP 6

- G x2pcs
- K2 x1pcs



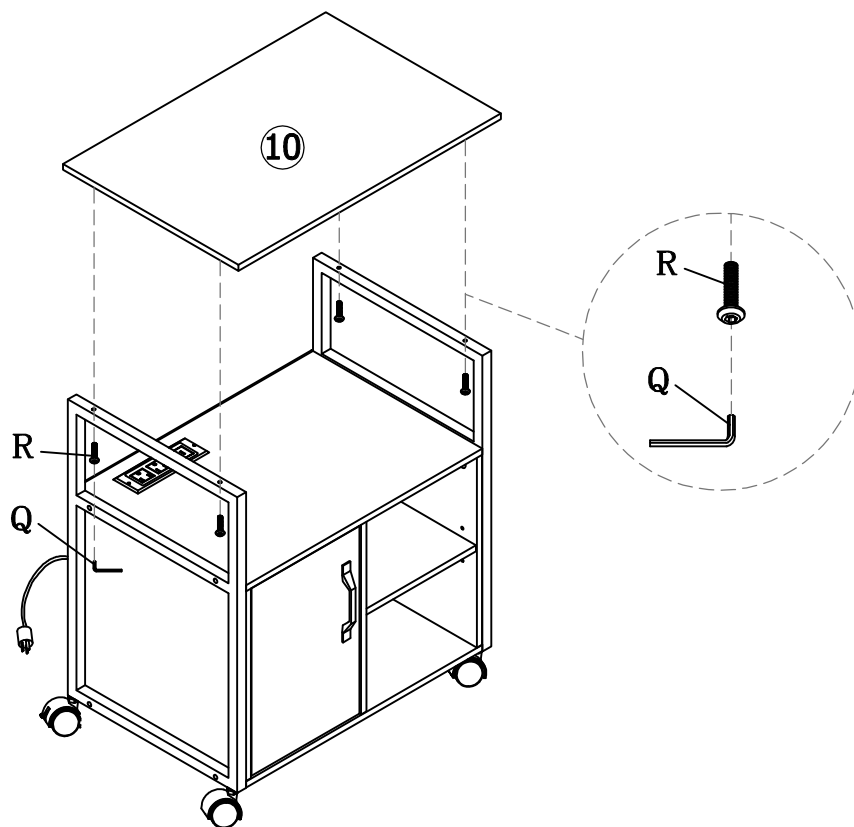
## STEP 7

- M x2pcs
- N x2pcs
- O x1pcs
- P x8pcs



## STEP 8

- R x4pcs



STEP 9

