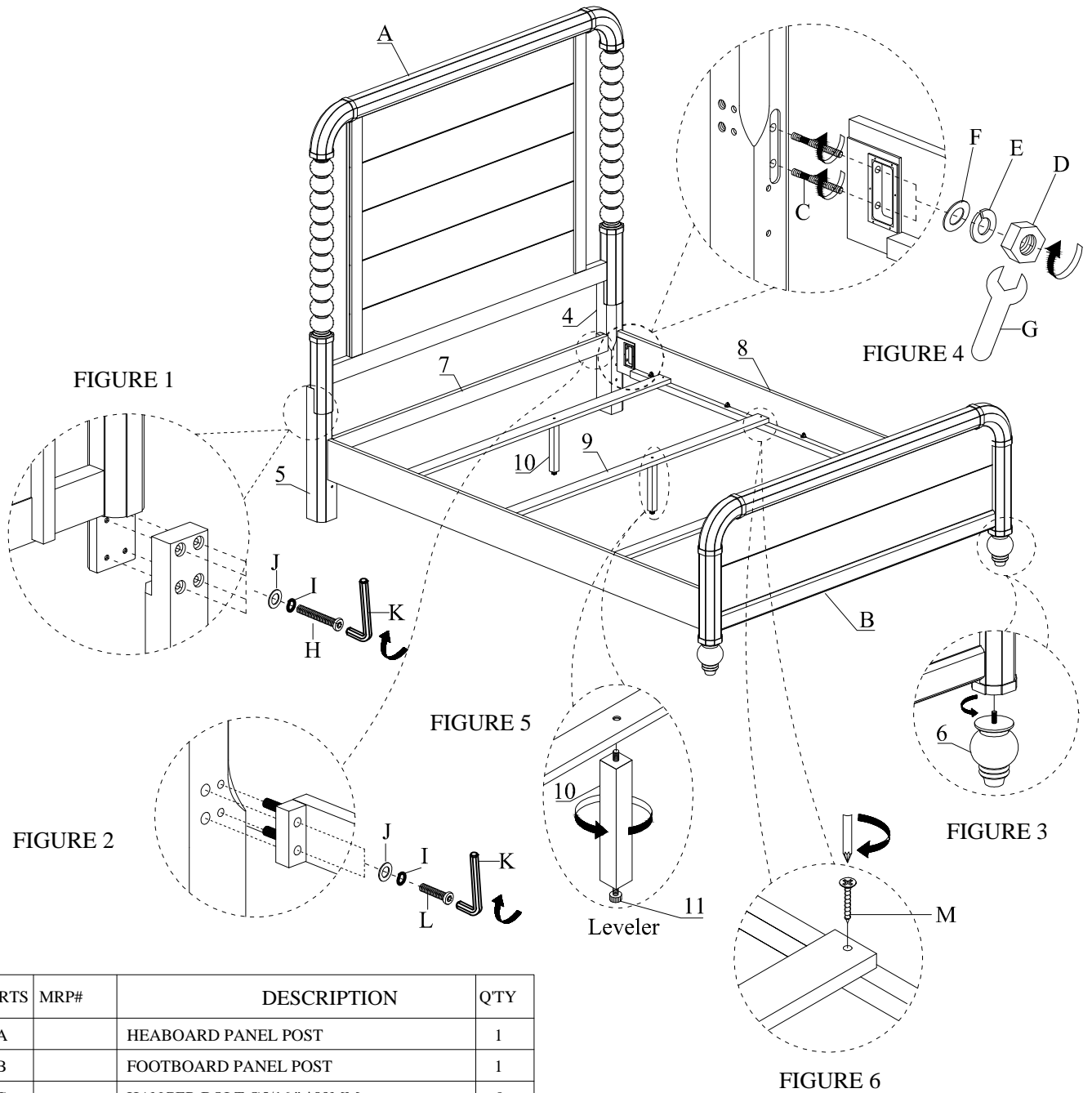




# 749/750

## 150HBD / 150FBD / 000SRD

### QUEEN PANEL POST BED



PARTS	MRP#	DESCRIPTION	QTY
A		HEABOARD PANEL POST	1
B		FOOTBOARD PANEL POST	1
C	1 (FOR SR)	HANGER BOLT Ø5/16 " * 89MM	8
D		HANGER NUT Ø5/16 "	8
E		LOCK WASHER Ø5/16 "	8
F		FLAT WASHER Ø5/16 " * 14 MM	8
G		SPANNER WRENCH	1
H	2 (FOR HB)	BOLT Ø1/4 " * 57MM	8
I		LOCK WASHER Ø1/4 "	12
J		FLAT WASHER Ø1/4 " * 19 MM * 2MM	12
K		ALLEN KEY	1
L		BOLT Ø1/4 " * 45MM	4
M	3 (FOR FB)	SCREW M4 * 32MM	6

PARTS	MRP#	DESCRIPTION	QTY
4	4	HEADBOARD RIGHT POST	1
5	5	HEADBOARD LEFT POST	1
6	6	BUN FEET	2
7	7	BOTTOM RAIL	1
8	8	SIDE RAIL	2
9	9	SLAT	3
10	10	SLAT SUPPORT	3
11	11	LEVELER (PRE-ASSEMBLED)	3



# 749/750

## 150HBD / 150FBD / 000SRD

### QUEEN PANEL POST BED

***WARNING! Failure to follow each of the following assembly instructions precisely may result in damage to the product and / or injury to consumer.***

1. REMOVE ALL PARTS FROM CARTON AND SEPARATE THEM INTO PART NUMBER GROUPS AS INDICATED ON THE PART LIST. WHEN ORDERING ADDITIONAL PARTS, INDICATE MANUFACTURER REPLACEMENT PART NUMBER (MRP# ) AS WELL AS PART NAME.
2. ATTACH BED POSTS (4,5) TO HEADBOARD AND SECURE WITH LOCK WASHERS (I), FLAT WASHERS (J) AND BOLTS (H) USING ALLEN KEY (K) FOLLOWING FIGURE 1. DO NOT FULLY TIGHTEN YET.
3. ATTACH THE BED BOTTOM RAIL (7) TO HEADBOARD LEGS AND SECURE WITH LOCK WASHERS (I) FLAT WASHERS (J) AND BOLTS (L) USING ALLEN KEY (K). FOLLOWING FIGURE 2.
4. ATTACH THE BUN FEET (6) TO FOOTBOARD (B) FOLLOWING FIGURE 3.
5. INSERT THE HANGER BOLTS (C) INTO THE HEADBOARD AND FOOTBOARD LEGS. PLACE THE HEADBOARD (A) AND FOOTBOARD (B) FACE TO FACE, ATTACH BOTH ENDS OF THE SIDE RAILS (8) TO THE HEADBOARD AND FOOTBOARD BY PLACING THE THE RAILS OVER THE BOLTS. SECURE THE RAILS TO THE HEADBOARD AND FOOTBOARD USING HANGER NUTS (D), LOCK WASHERS (E), FLAT WASHERS (F) USING SPANNER WRENCH (G). FULLY TIGHTEN ALL NUTS. FOLLOWING FIGURE 4.
6. INSERT THE BOLTS ON THE SLAT SUPPORTS (10) INTO THE PRE-DRILLED HOLES ON THE SLATS (9) SECURE BY TURNING CLOCK WISE FOLLOWING FIGURE 5.

NOTE: EVERY SLAT HAS ONE SLAT SUPPORT.

7. ATTACH SLATS (9) TO SIDE RAILS (8), SECURE WITH WOOD SCREWS (M) USING PHILIPS HEAD SCREWDRIVER ( NOT PROVIDED) FOLLOWING FIGURE 6.

ASSEMBLY IS NOW COMPLETE .

THANKS FOR YOUR PURCHASE !