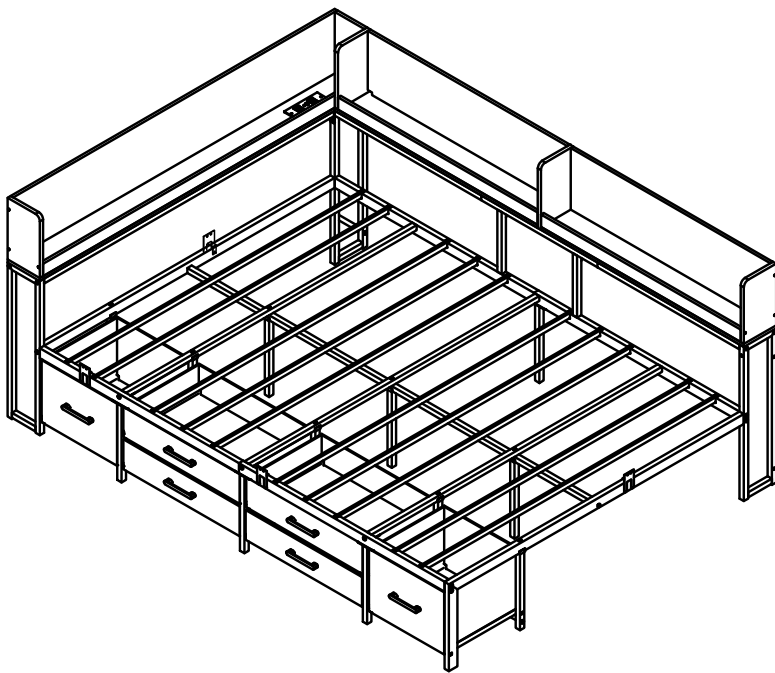
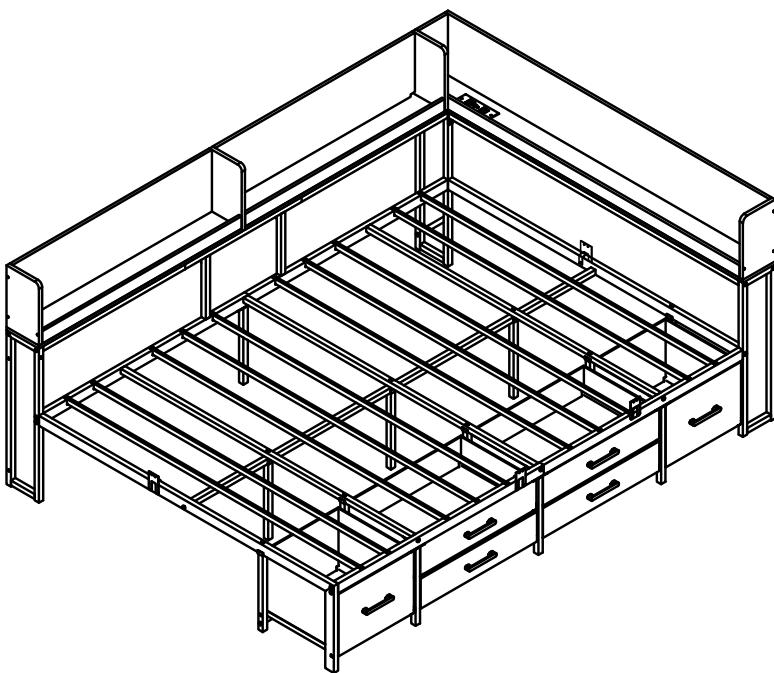


# ASSEMBLY INSTRUCTION

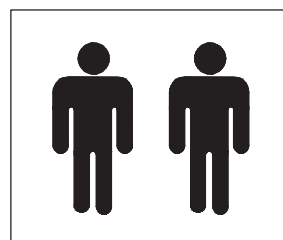
Version: 1.0



Assembly headboard at left side, please follow the assembly steps on page 6-24.



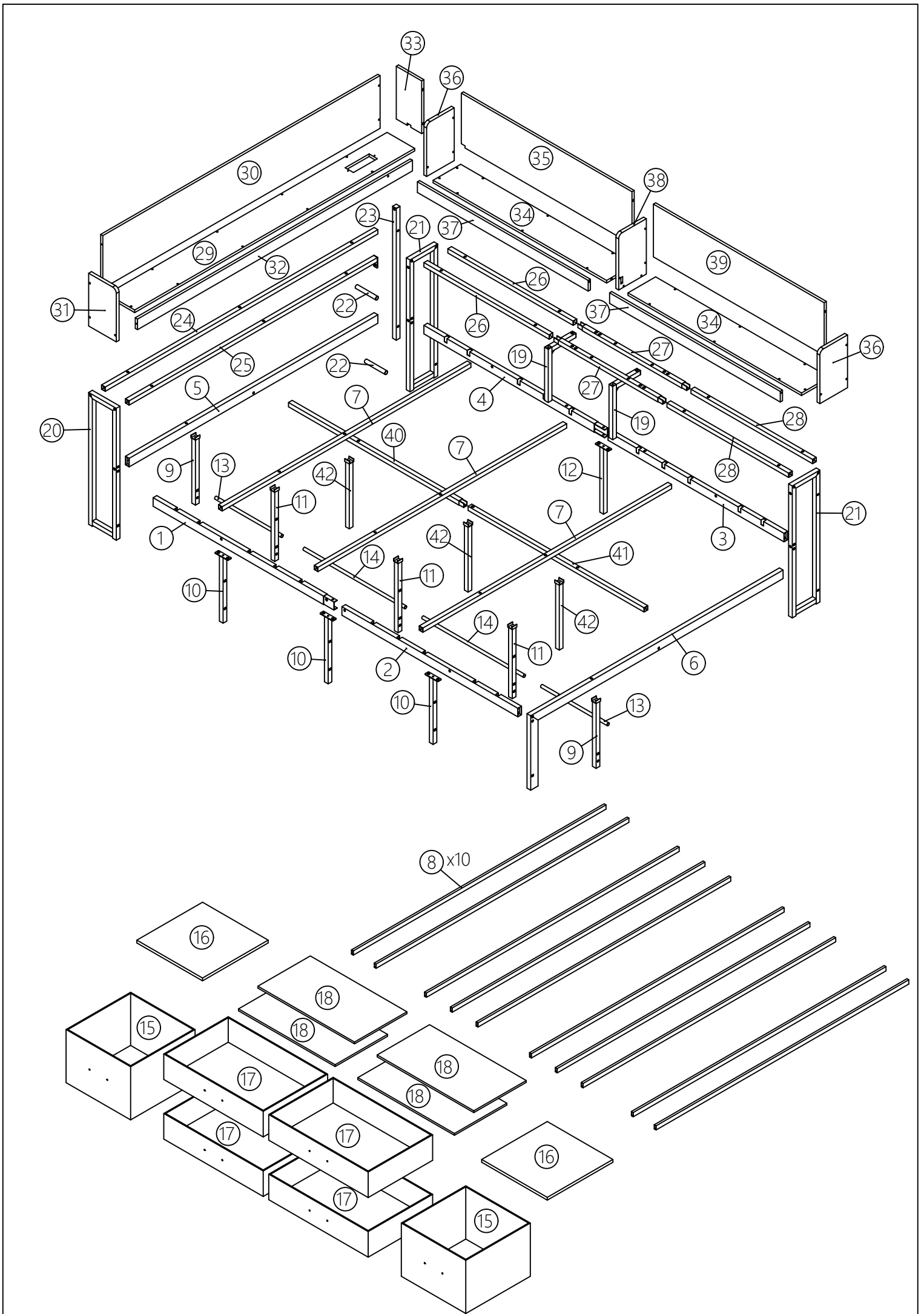
Assembly headboard at right side, please follow the assembly steps on page 25-44.



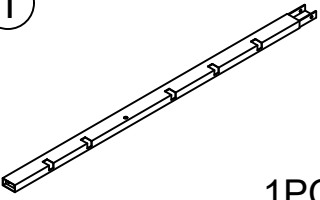
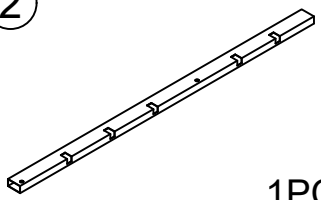
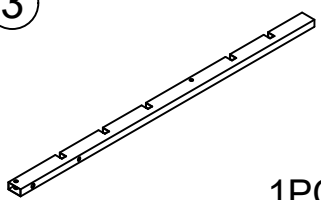
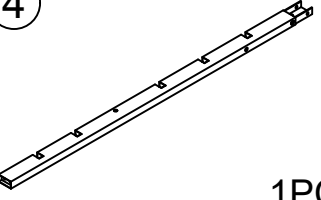
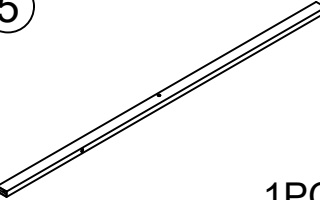
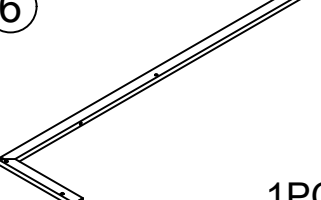
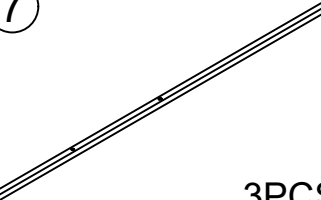
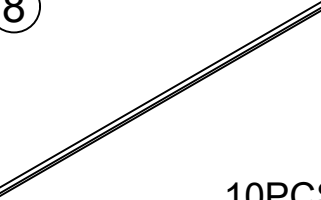
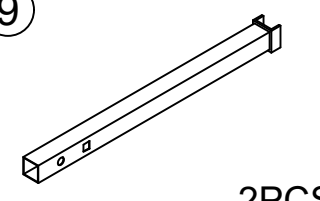
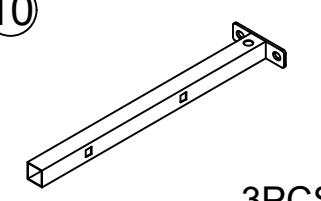
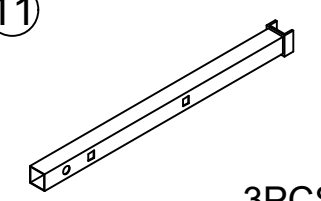
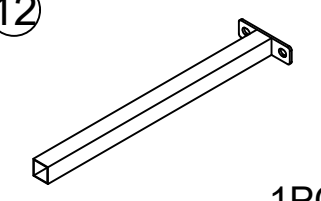
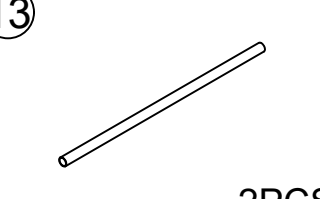
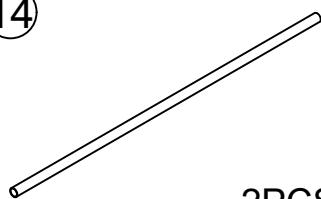
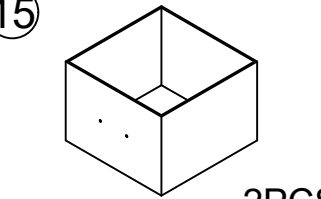
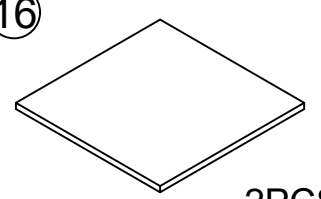
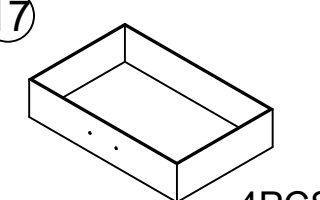
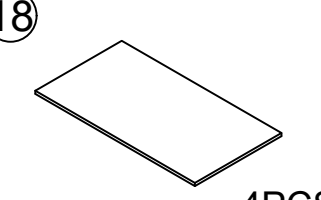
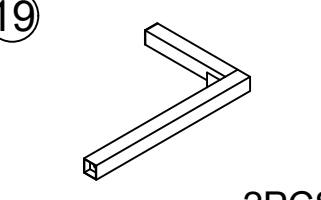
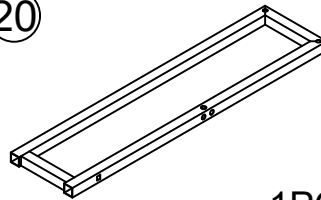
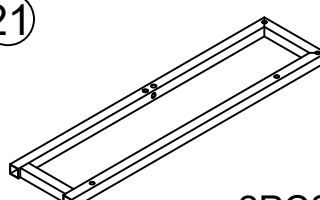
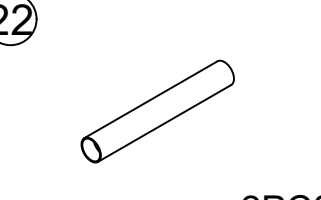
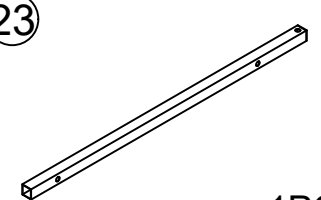
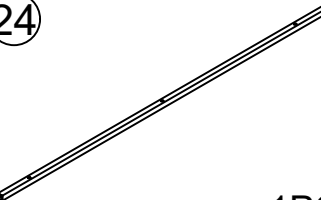
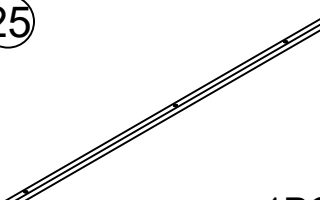
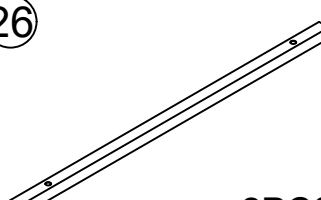
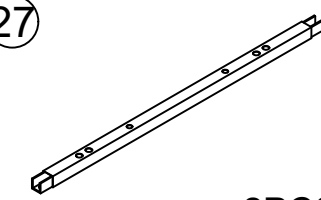
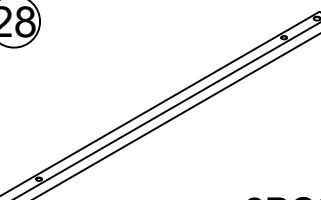
## Note:

Should be assembled on flat ground to keep balance.  
It needs at least two people to install.

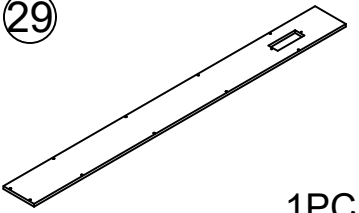
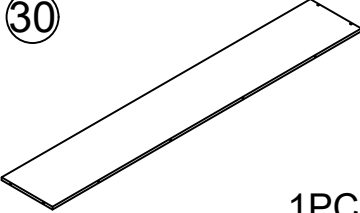
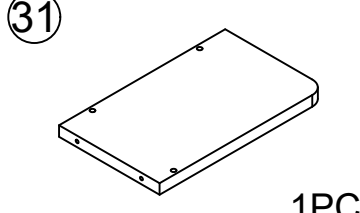
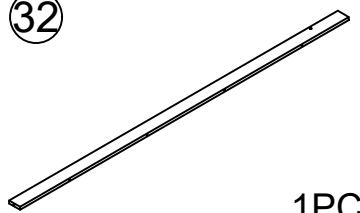
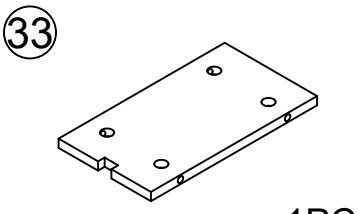
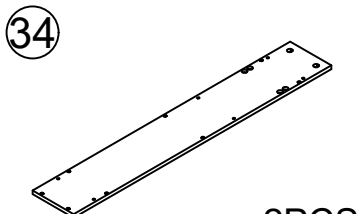
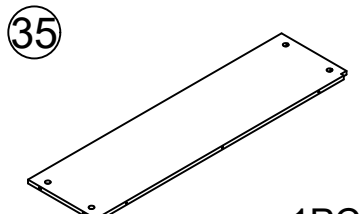
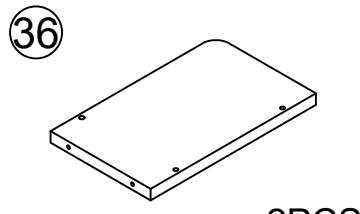
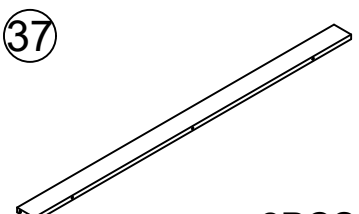
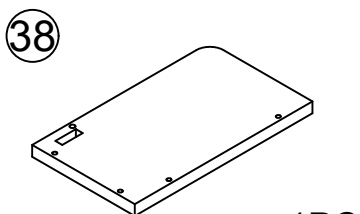
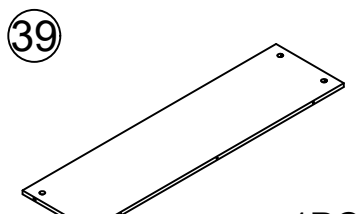
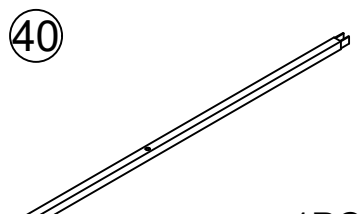
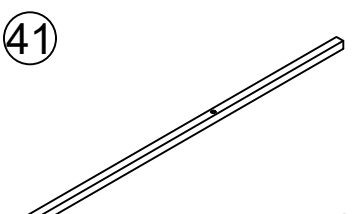
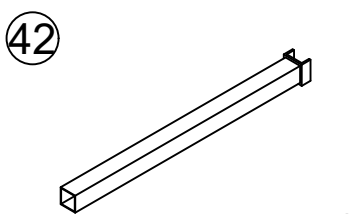
Before starting the assembly, you must read the whole manual and follow the instructions.




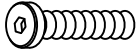
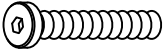
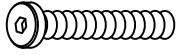
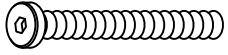
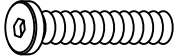
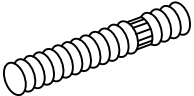

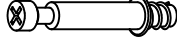
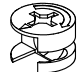
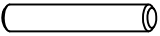
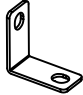

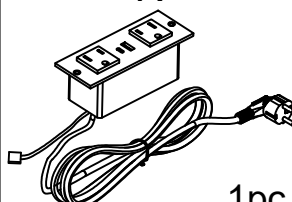
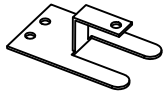
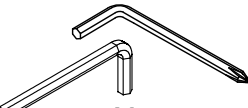
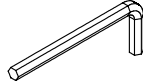
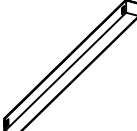
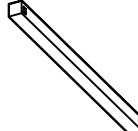

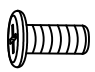

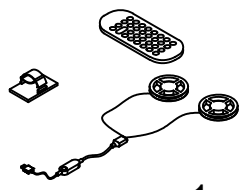


# PARTS LIST

 <p>1PC</p>	 <p>1PC</p>	 <p>1PC</p>	 <p>1PC</p>
 <p>1PC</p>	 <p>1PC</p>	 <p>3PCS</p>	 <p>10PCS</p>
 <p>2PCS</p>	 <p>3PCS</p>	 <p>3PCS</p>	 <p>1PC</p>
 <p>2PCS</p>	 <p>2PCS</p>	 <p>2PCS</p>	 <p>2PCS</p>
 <p>4PCS</p>	 <p>4PCS</p>	 <p>2PCS</p>	 <p>1PC</p>
 <p>2PCS</p>	 <p>2PCS</p>	 <p>1PC</p>	 <p>1PC</p>
 <p>1PC</p>	 <p>2PCS</p>	 <p>2PCS</p>	 <p>2PCS</p>

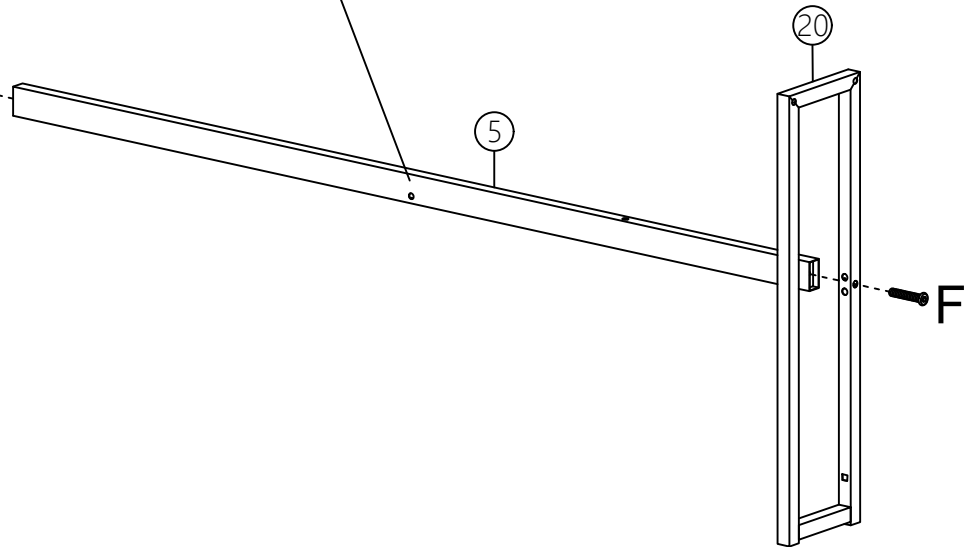
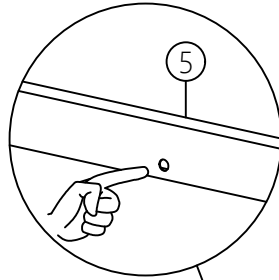
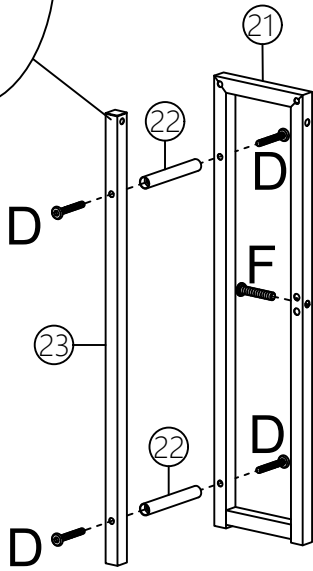
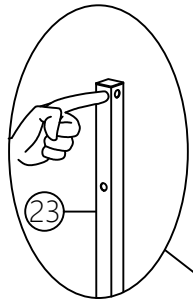
# PARTS LIST

 <p>29</p> <p>1PC</p>	 <p>30</p> <p>1PC</p>	 <p>31</p> <p>1PC</p>	 <p>32</p> <p>1PC</p>
 <p>33</p> <p>1PC</p>	 <p>34</p> <p>2PCS</p>	 <p>35</p> <p>1PC</p>	 <p>36</p> <p>2PCS</p>
 <p>37</p> <p>2PCS</p>	 <p>38</p> <p>1PC</p>	 <p>39</p> <p>1PC</p>	 <p>40</p> <p>1PC</p>
 <p>41</p> <p>1PC</p>	 <p>42</p> <p>3PC</p>		

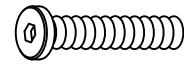
# PARTS LIST

<p>A</p>  <p>M6x12</p> <p>19pcs+1</p>	<p>B</p>  <p>M6x28</p> <p>18pcs+1</p>	<p>C</p>  <p>M6x35</p> <p>2pcs+1</p>	<p>D</p>  <p>M6x40</p> <p>26pcs+2</p>	<p>E</p>  <p>M6x60</p> <p>7pcs+1</p>
<p>F</p>  <p>M8x40</p> <p>11pcs+1</p>	<p>G</p>  <p>M6x50</p> <p>3pcs+1</p>	<p>H</p>  <p>M5x38</p> <p>31pcs+2</p>	<p>I</p>  <p>Ø6x35</p> <p>16pcs+1</p>	<p>J</p>  <p>Ø15x10</p> <p>16pcs+1</p>
<p>K</p>  <p>Ø6x60</p> <p>1pc+1</p>	<p>L</p>  <p>3pcs</p>	<p>M</p>  <p>Ø3.5x12</p> <p>2pcs+1</p>	<p>N</p>  <p>1pc</p>	<p>O</p>  <p>4pcs</p>
<p>P</p>  <p>M5</p> <p>1+1pc</p>	<p>Q</p>  <p>M4</p> <p>2pcs</p>	<p>R</p>  <p>6pcs</p>	<p>S</p>  <p>6pcs</p>	<p>T</p>  <p>6pcs</p>
<p>U</p>  <p>M4x10</p> <p>12pcs+2</p>	<p>V</p>  <p>M3</p> <p>2pcs</p>	<p>W</p>  <p>1pc</p>	<p>X</p>  <p>2pcs</p>	<p>Y</p>  <p>1pc</p>

### Step 1



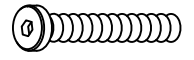
F



M8x40

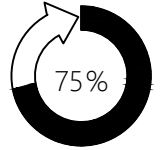
2pcs

D

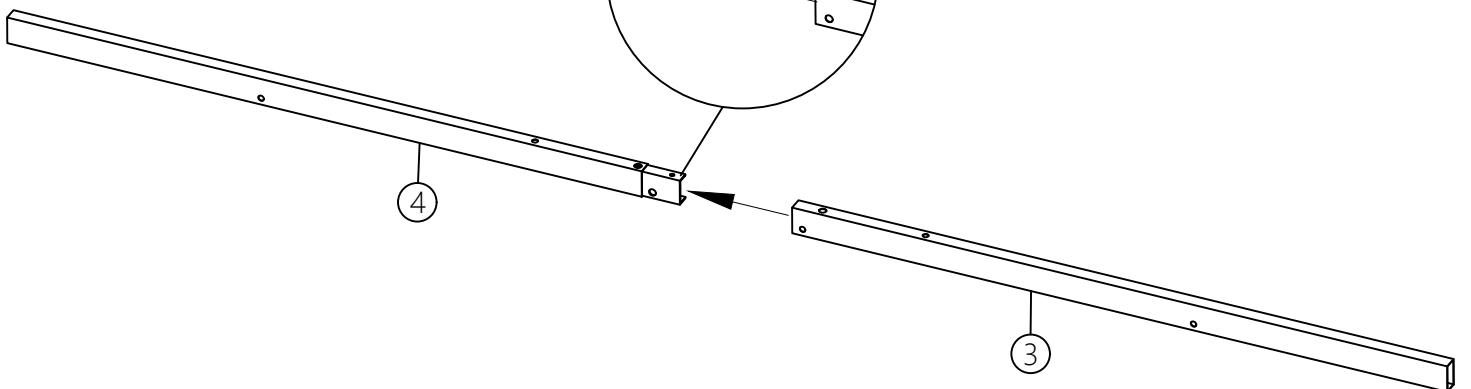
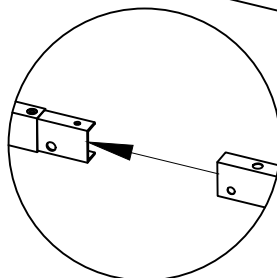
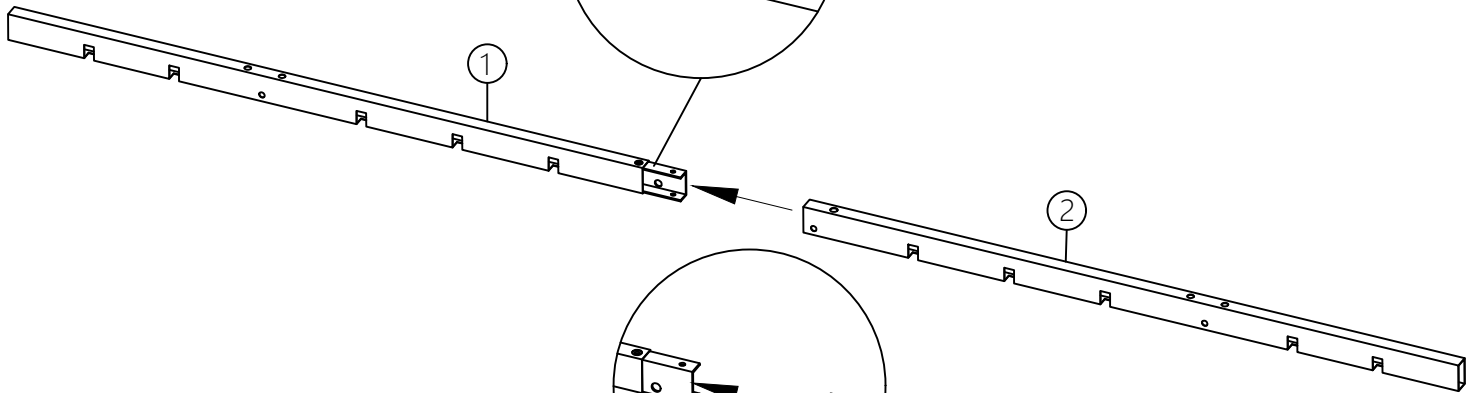
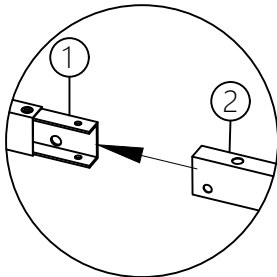


M6x40

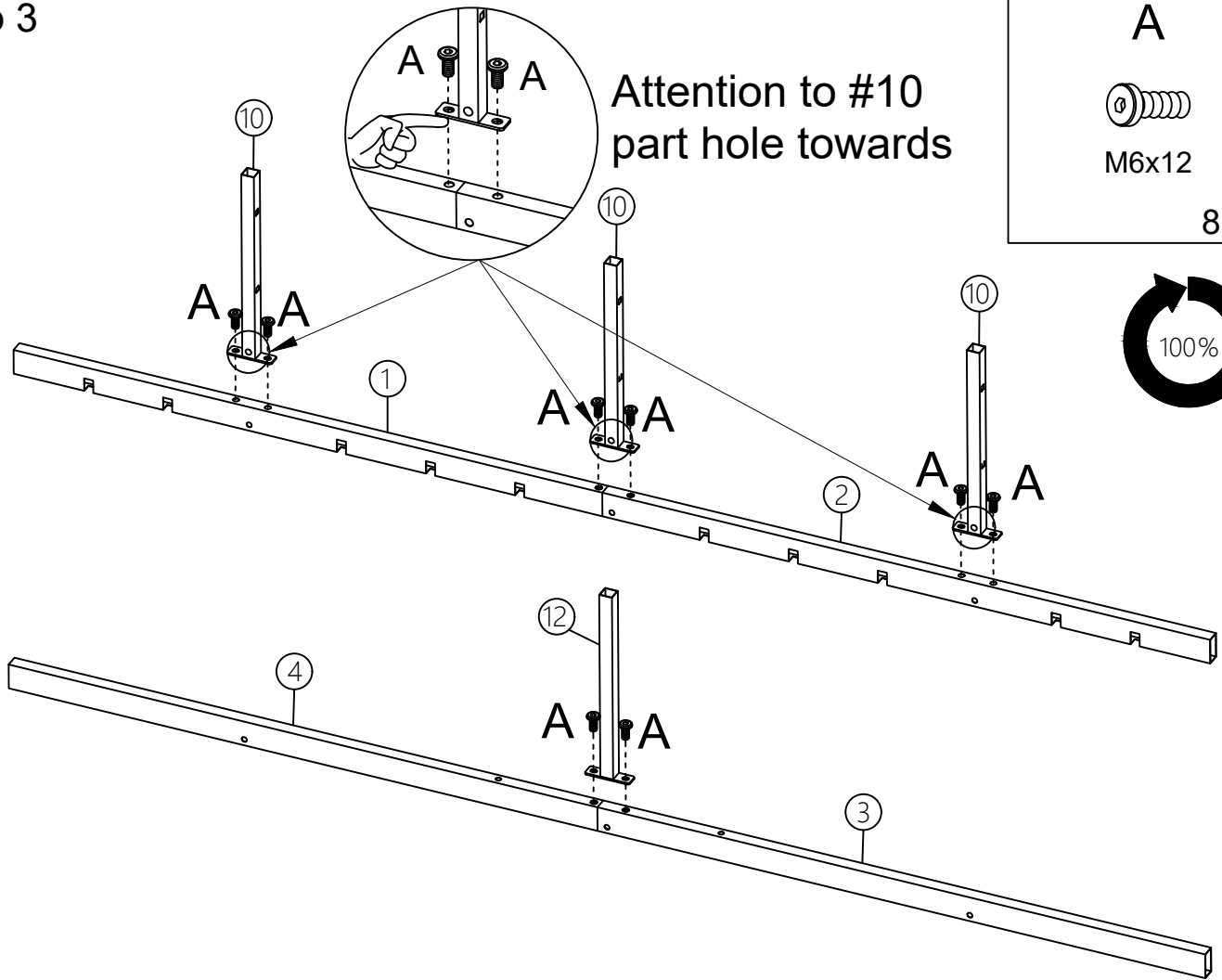
4pcs



### Step 2



### Step 3

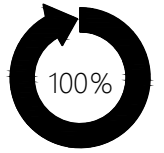


A

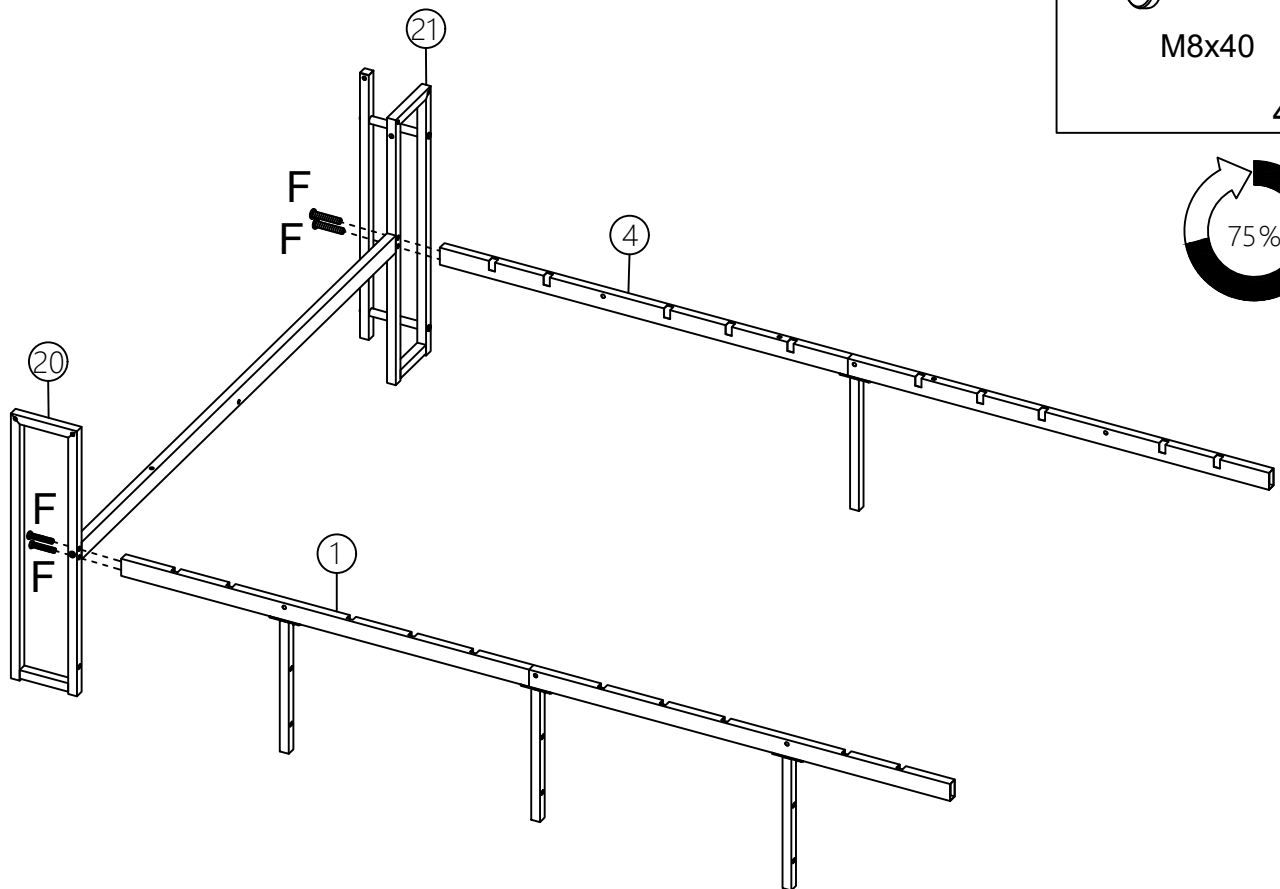


M6x12

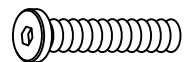
8pcs



### Step 4

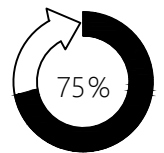


F

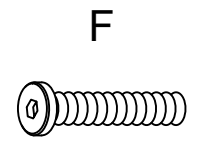


M8x40

4pcs

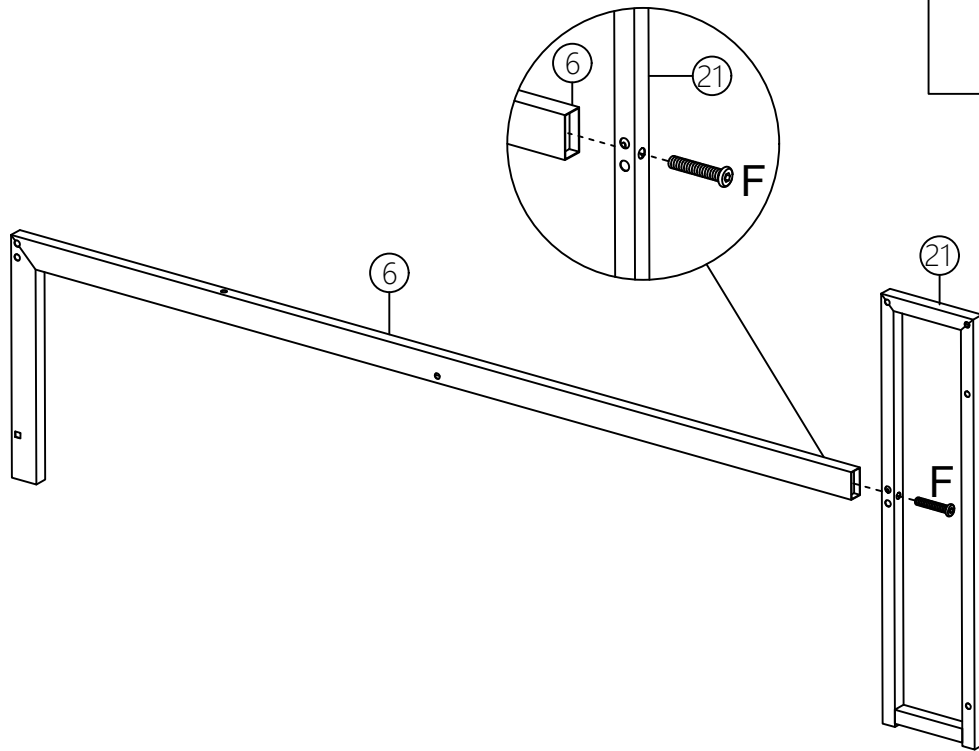
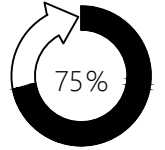


# Step 5

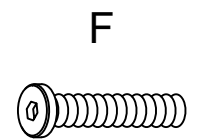


M8x40

1pc

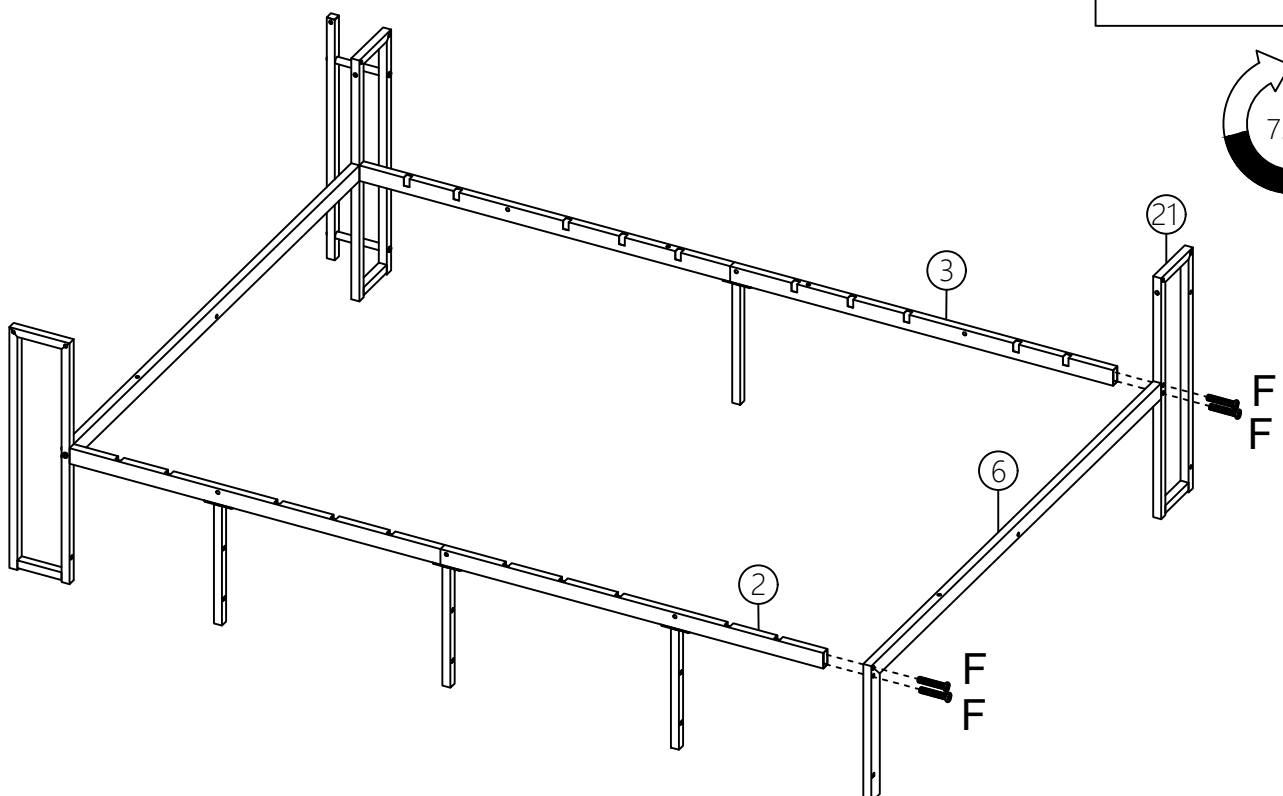
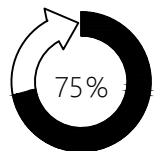


# Step 6

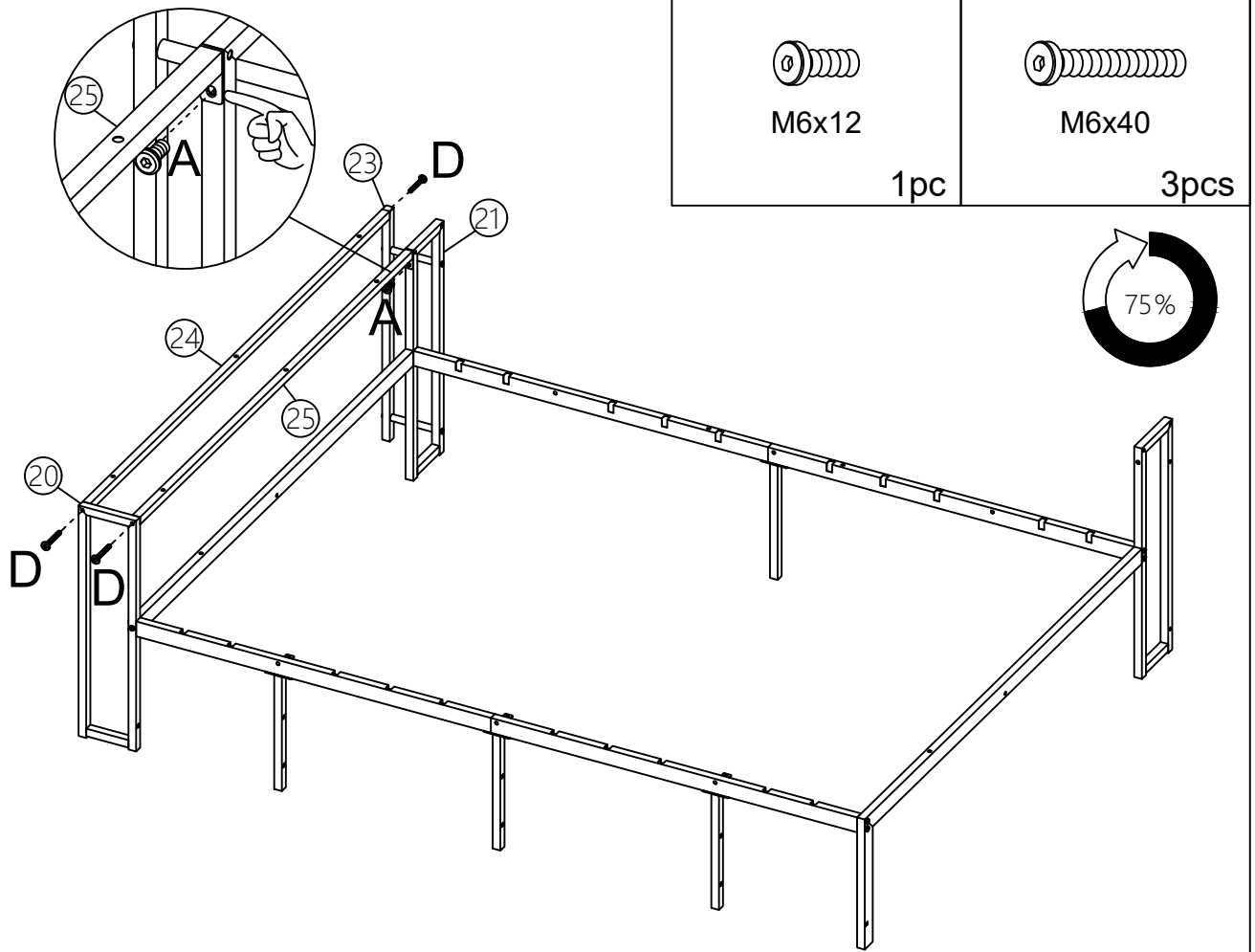


M8x40

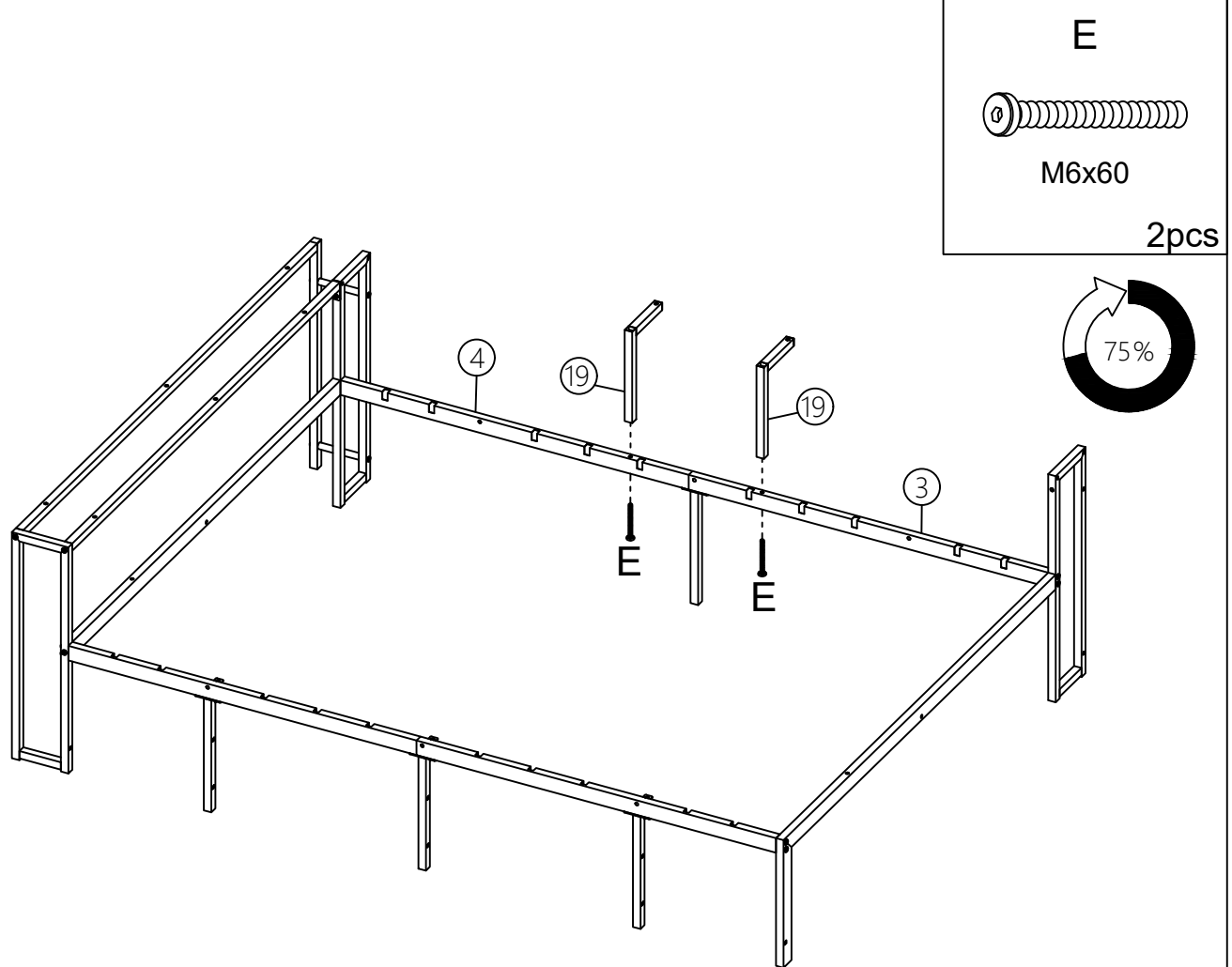
4pcs



### Step 7



### Step 8



### Step 9

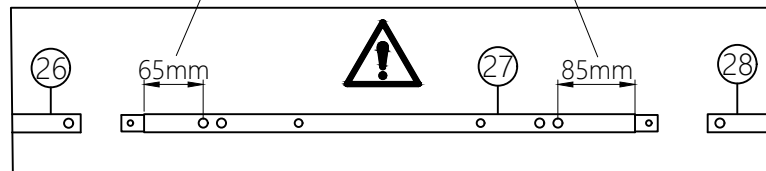
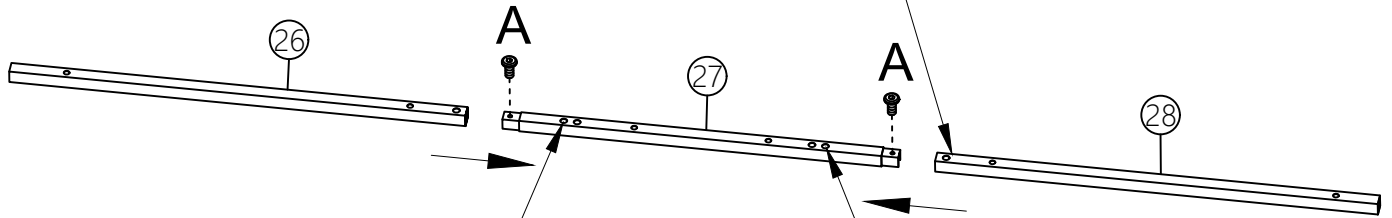
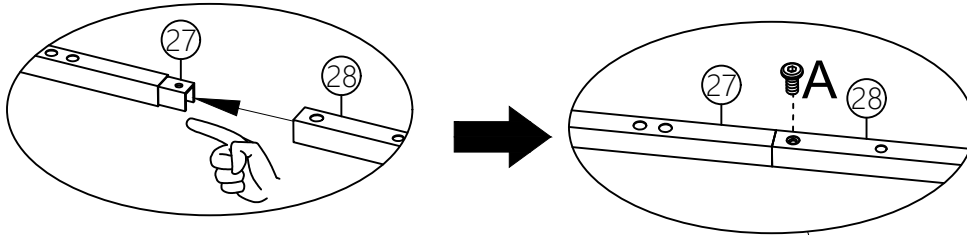


A



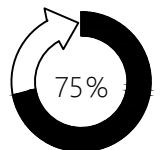
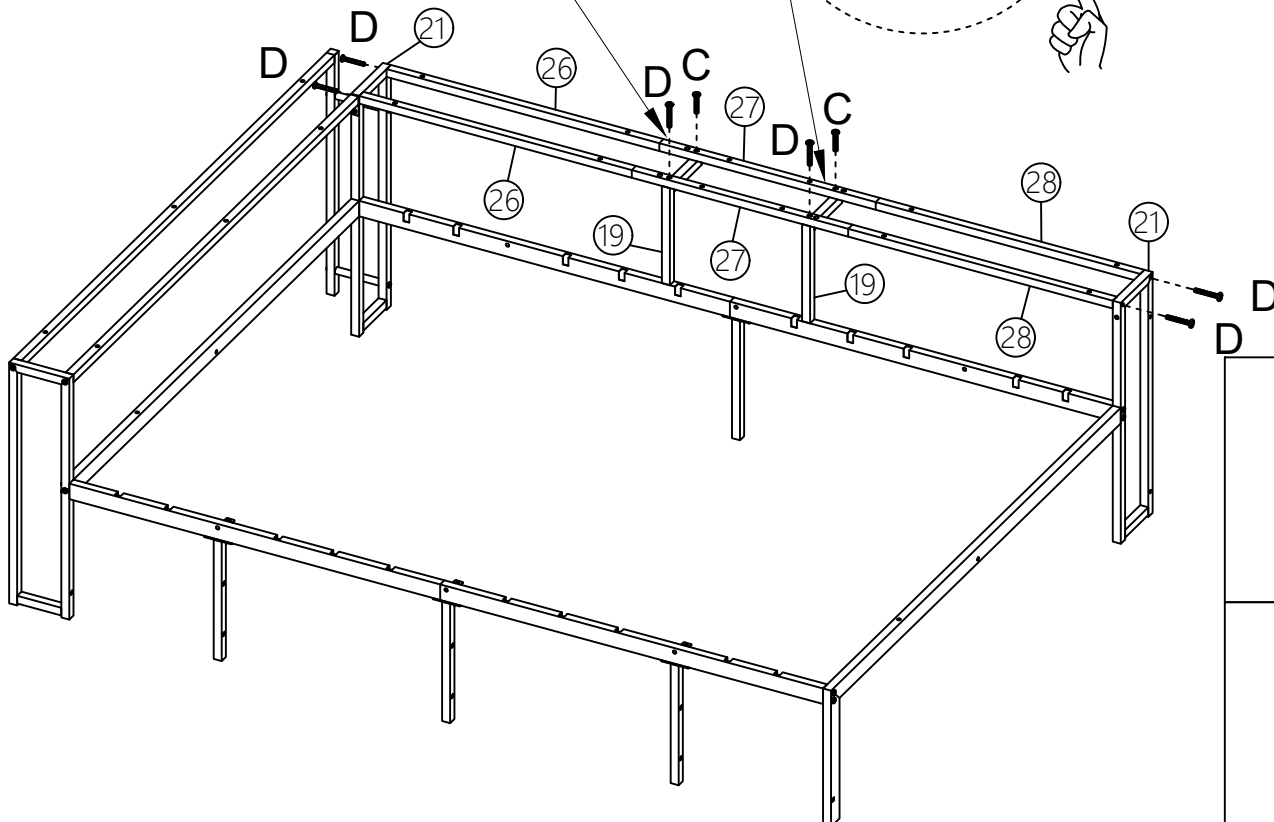
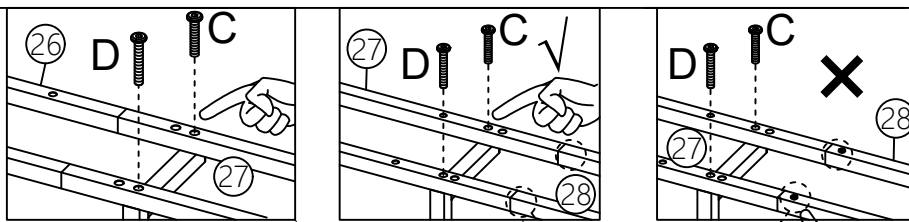
M6x12

4pcs

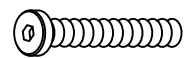


x2

### Step 10



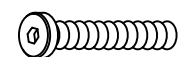
D



M6x40

6pcs

C

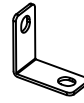


M6x35

2pcs

### Step 11

L



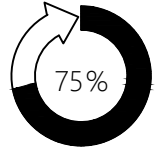
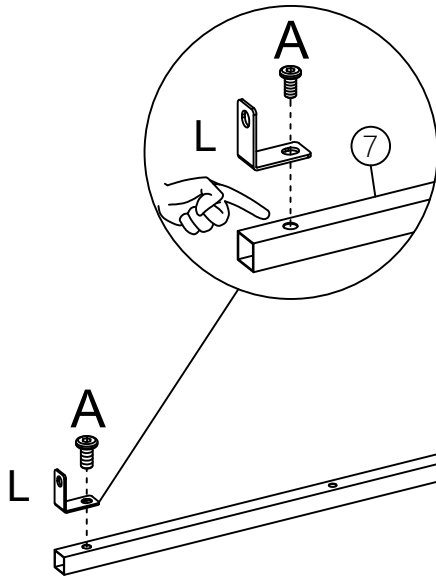
3pcs

A



M6x12

3pcs



x3

### Step 12

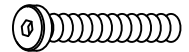
A



M6x12

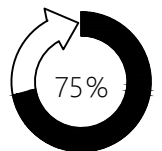
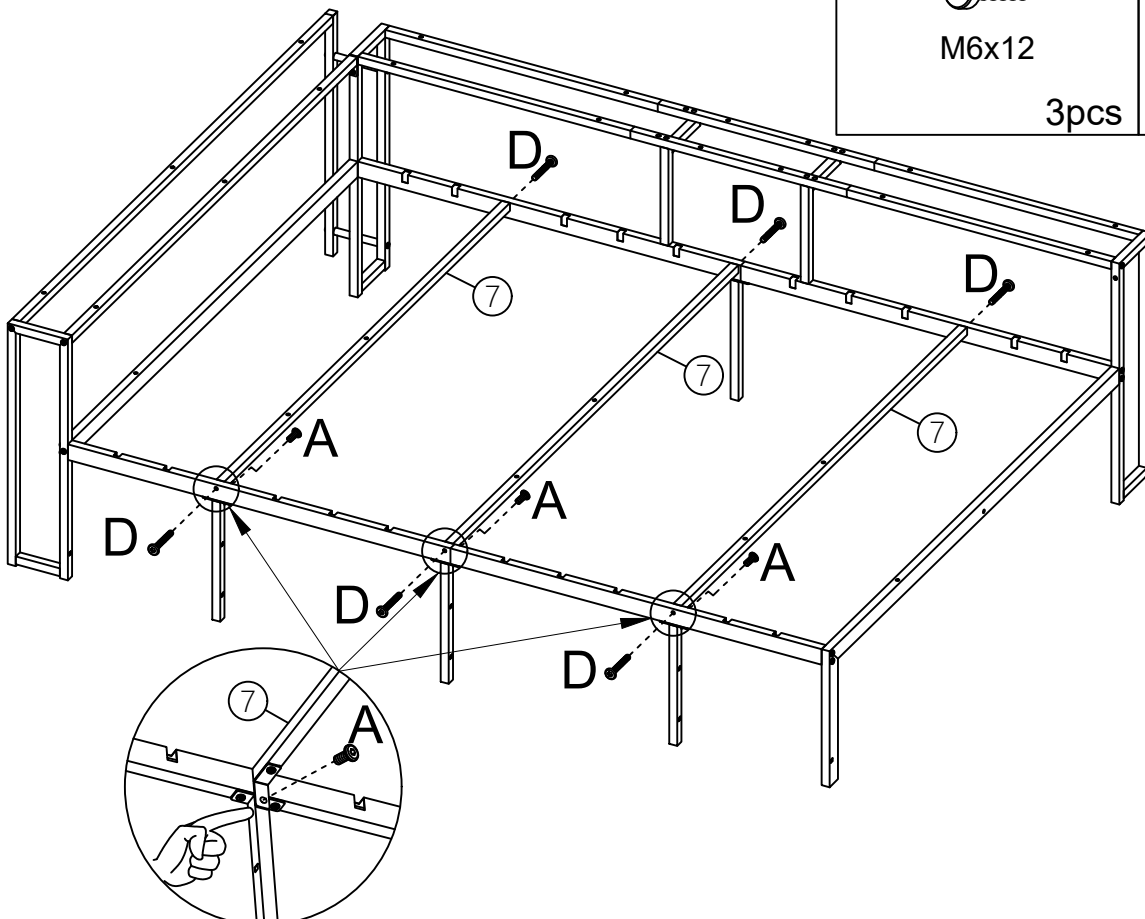
3pcs

D

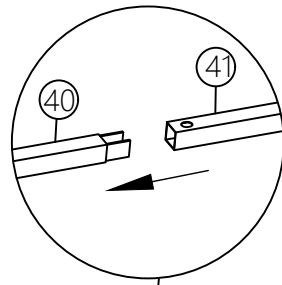
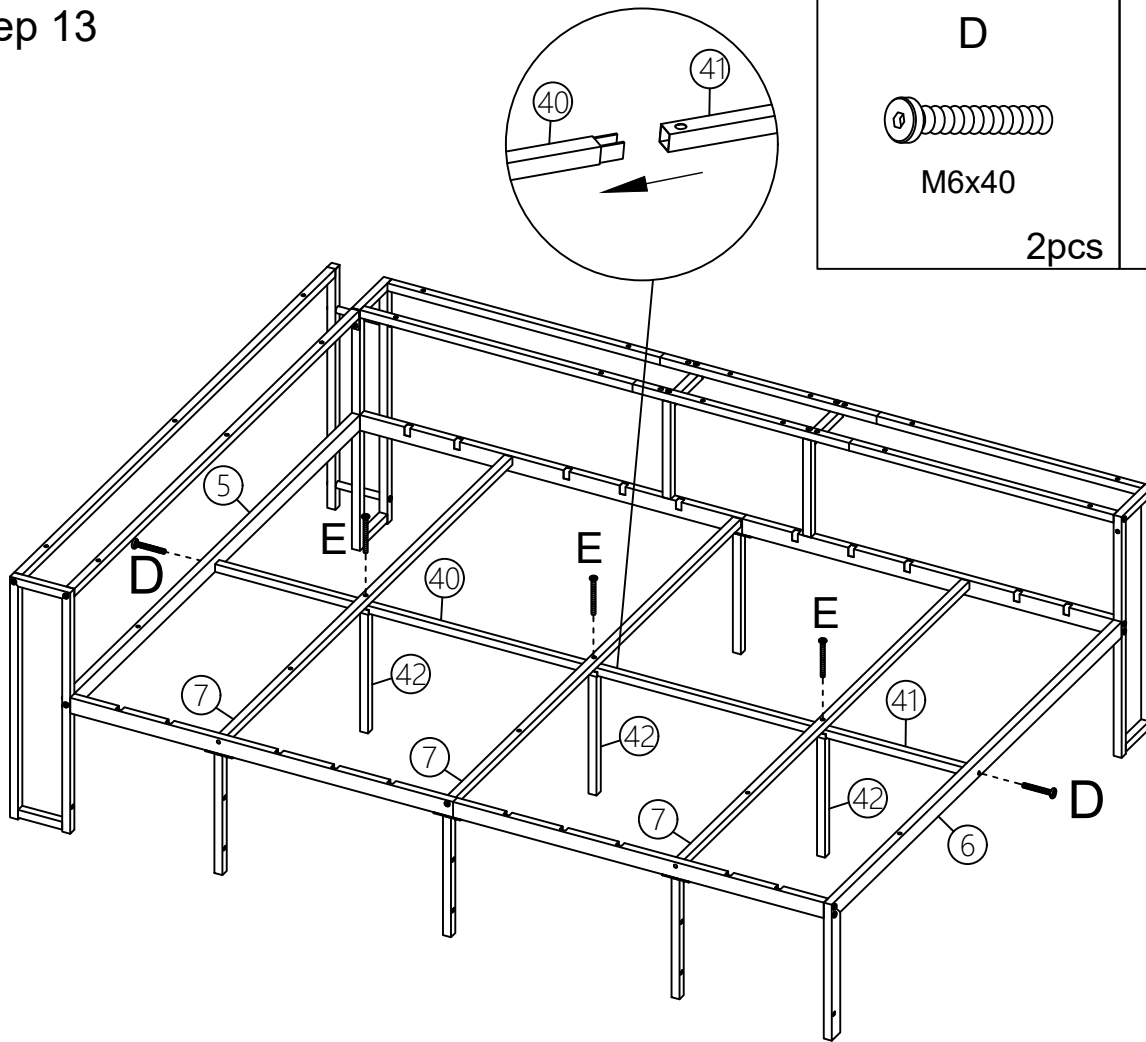


M6x40

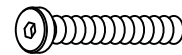
6pcs



### Step 13



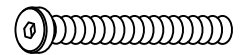
D



M6x40

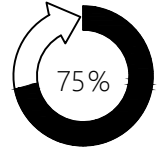
2pcs

E

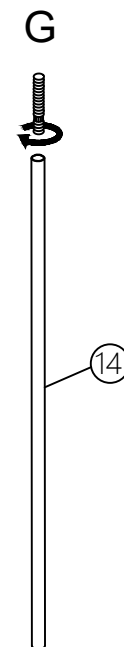
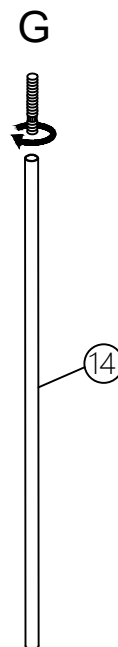
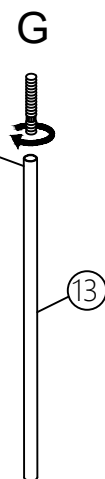
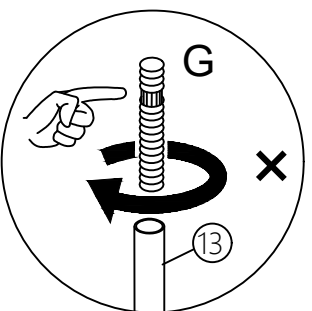
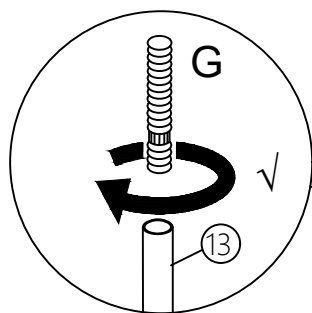


M6x60

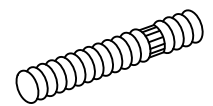
3pcs



### Step 14

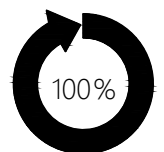


G



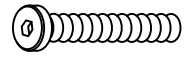
M6x50

3pcs



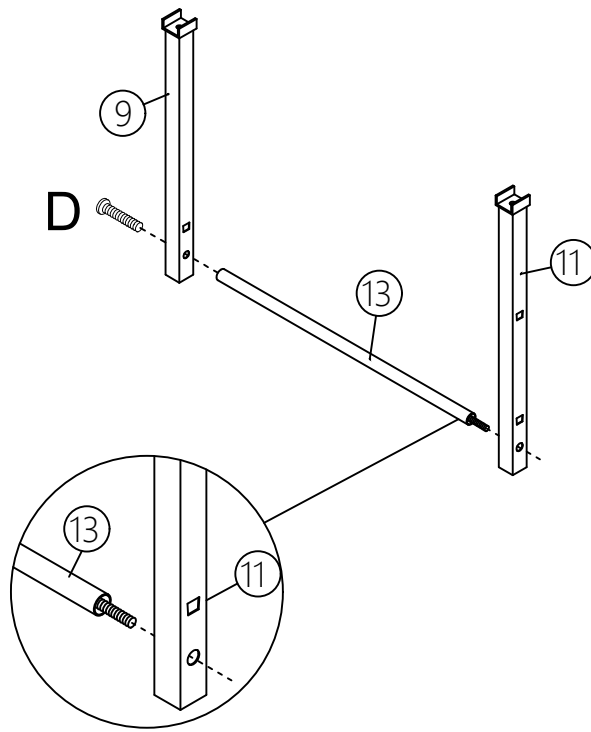
# Step 15

D

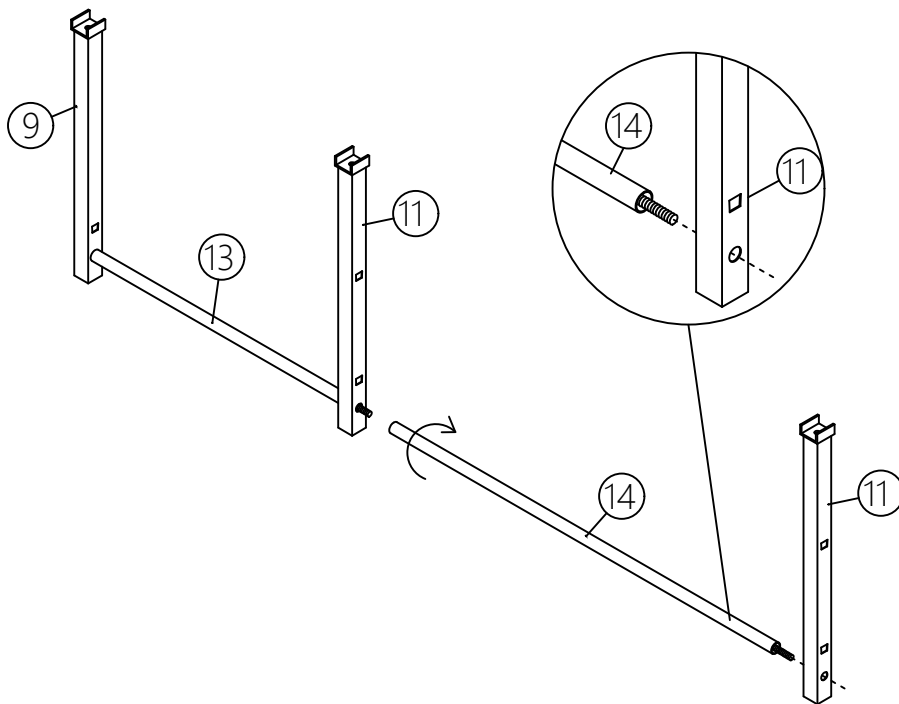
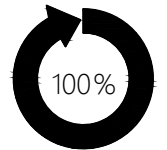


M6x40

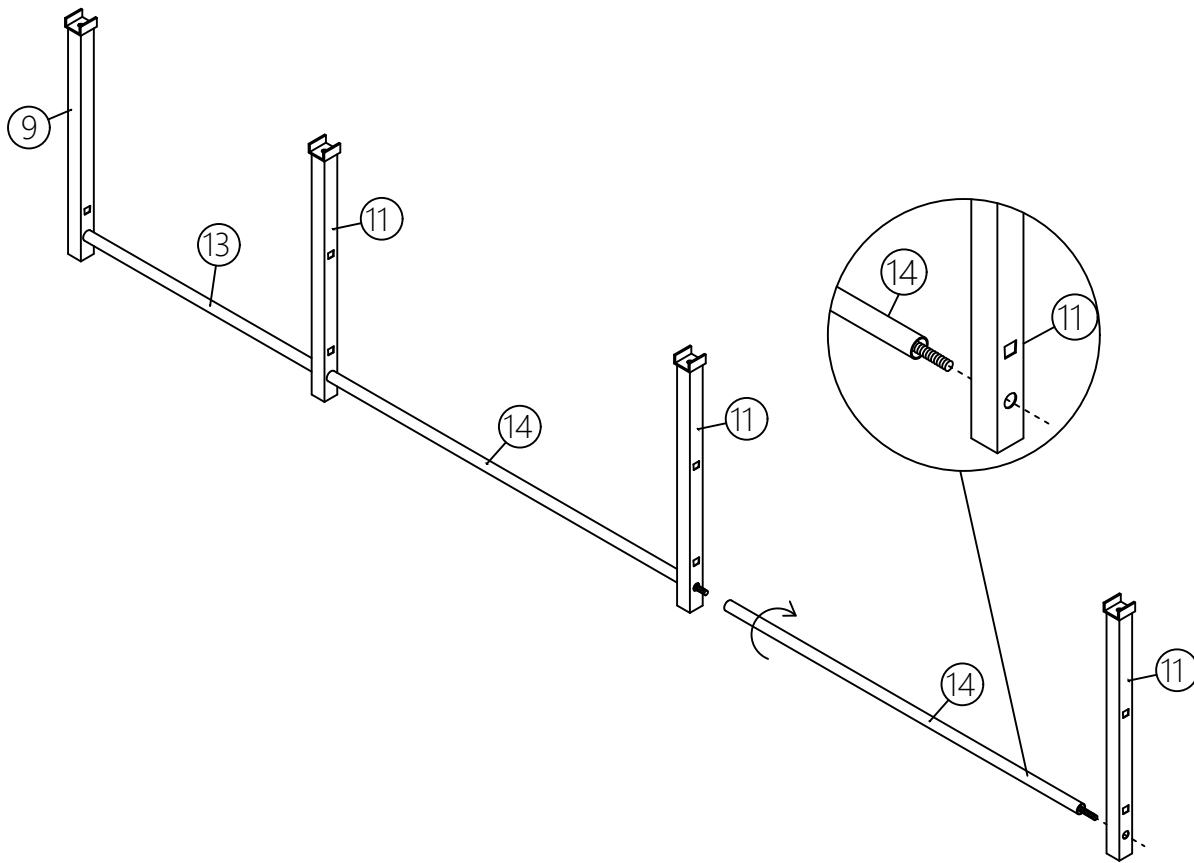
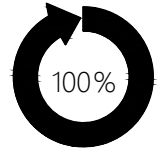
1pc



# Step 16



# Step 17

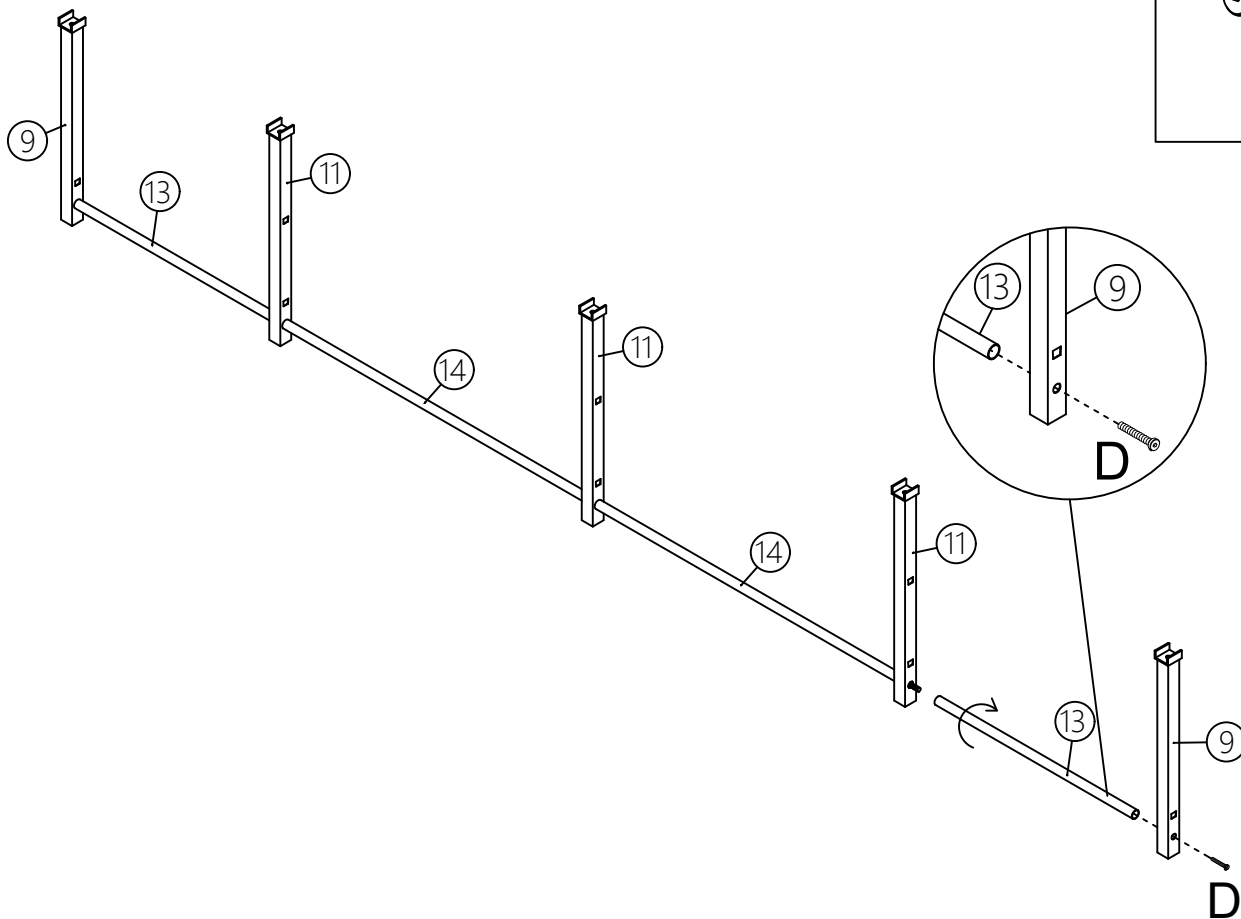
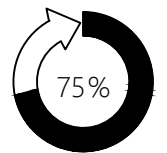


# Step 18

**D**

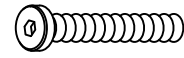
M6x40

1pc



# Step 19

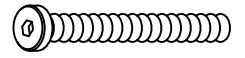
D



M6x40

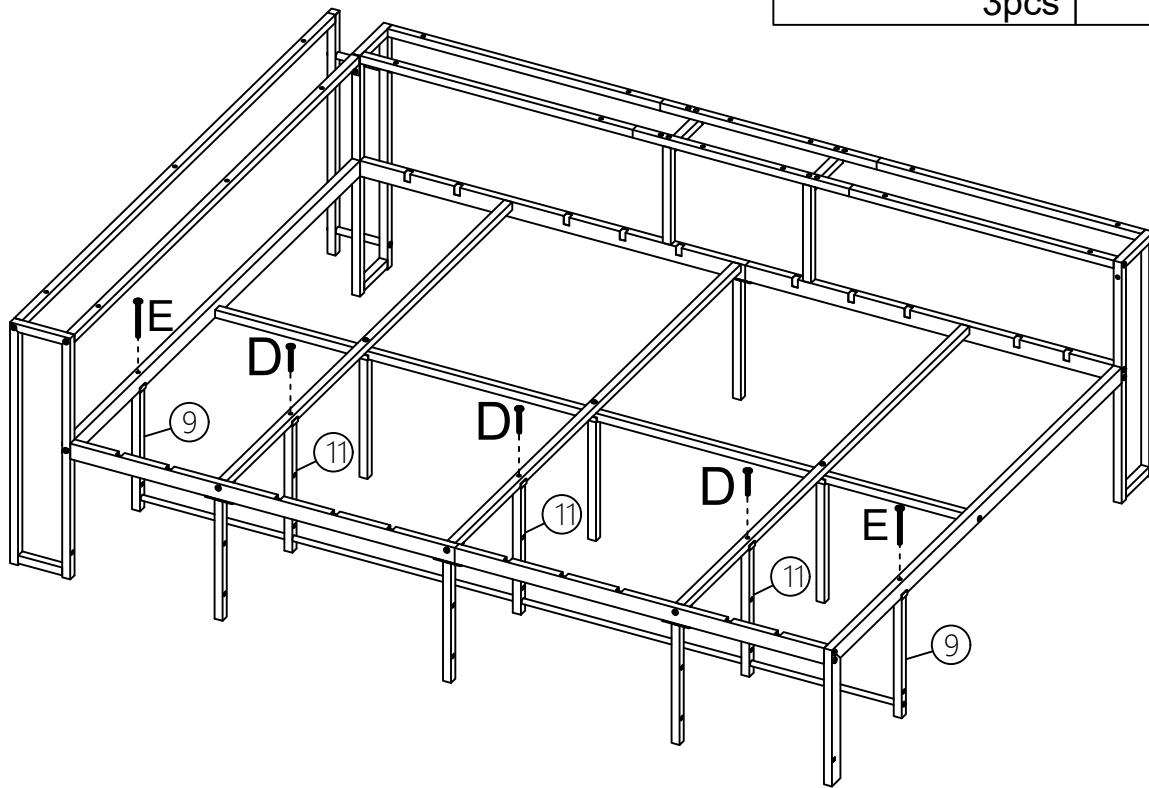
3pcs

E



M6x60

2pcs

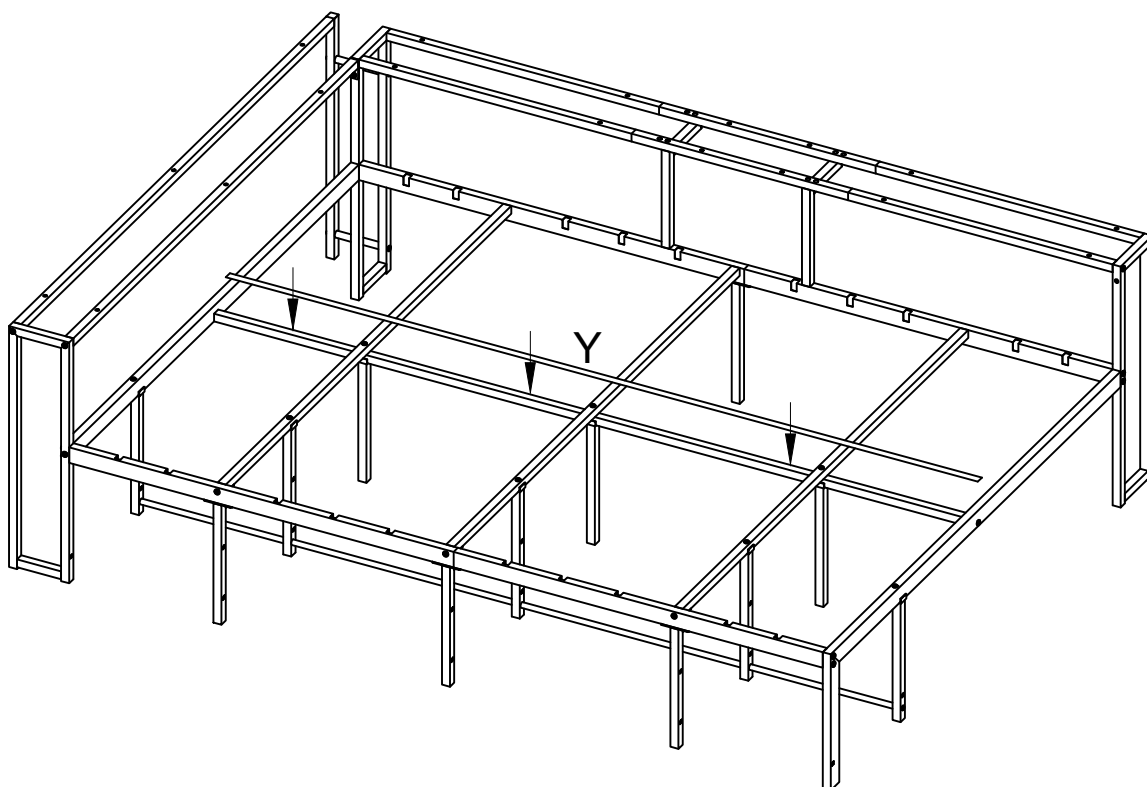
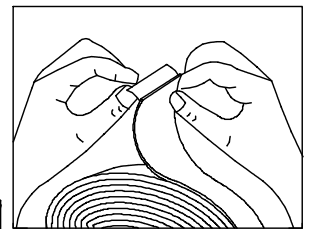


# Step 20

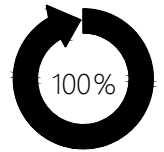
Y



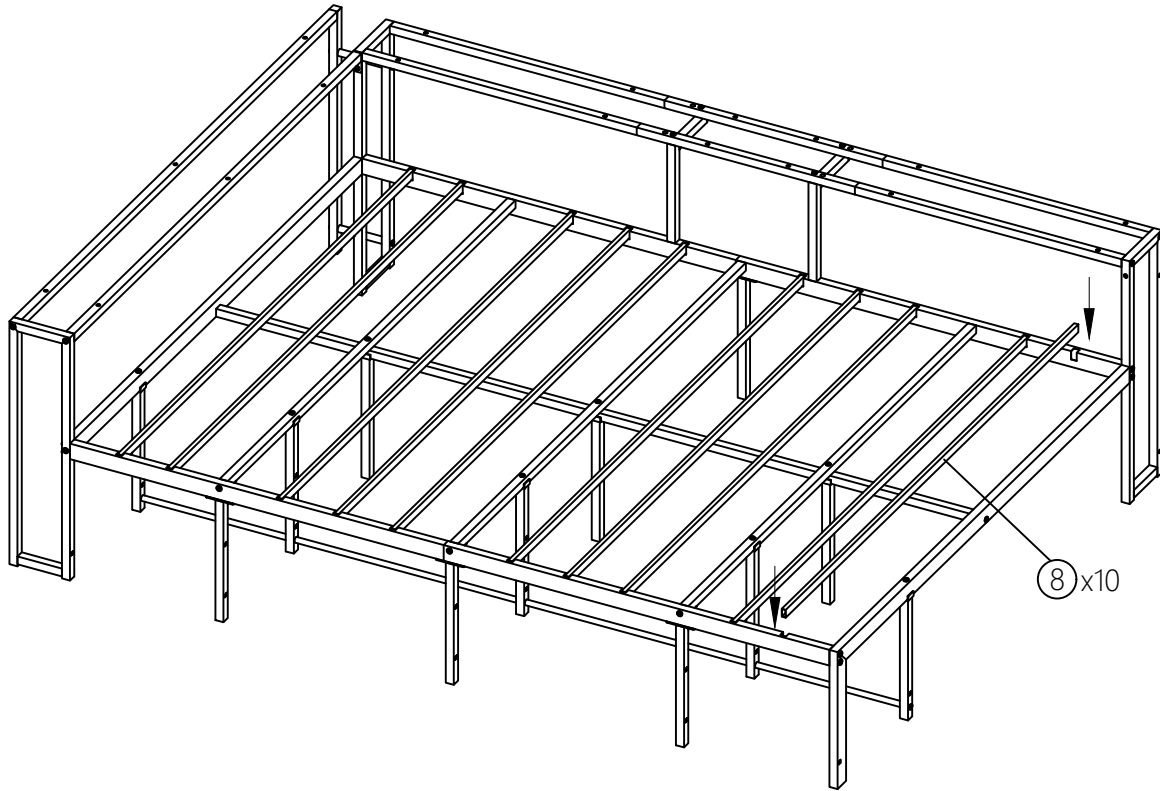
1pc



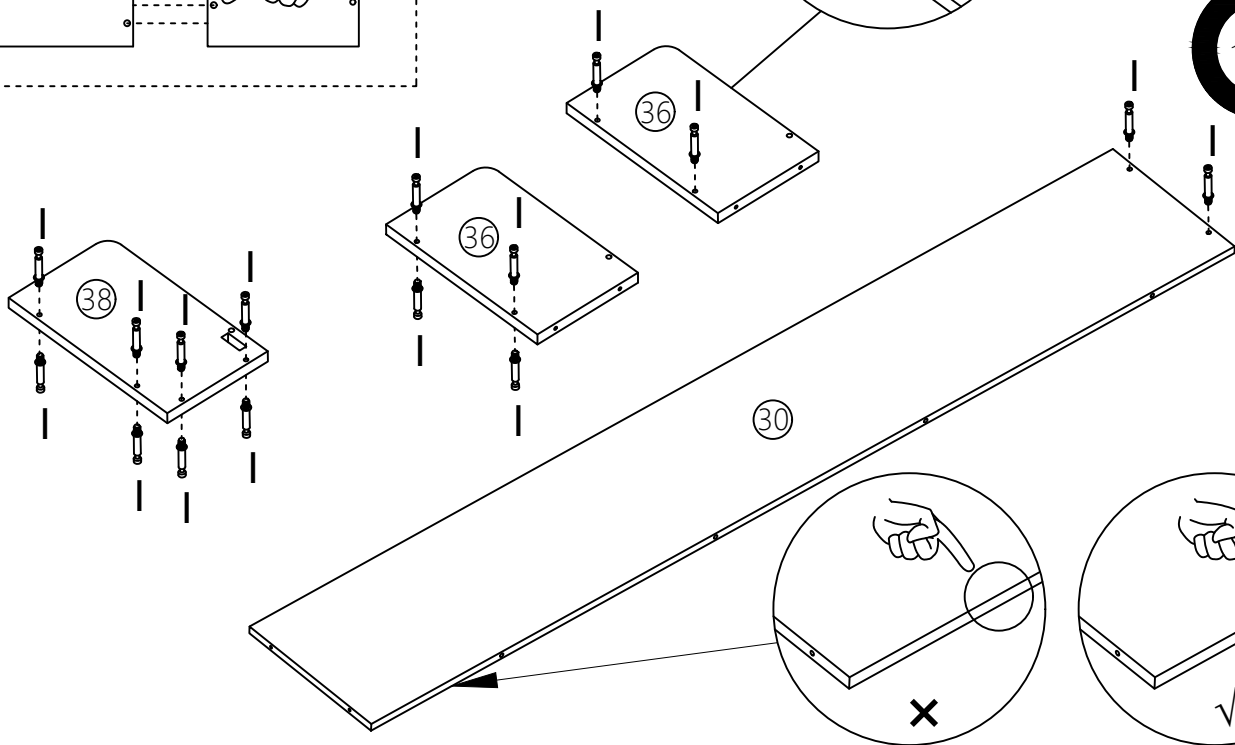
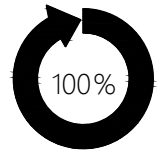
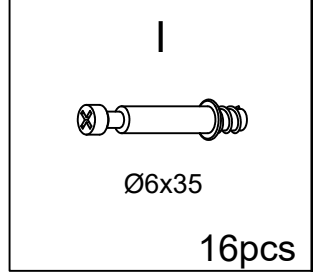
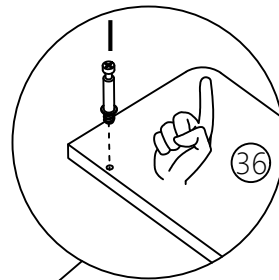
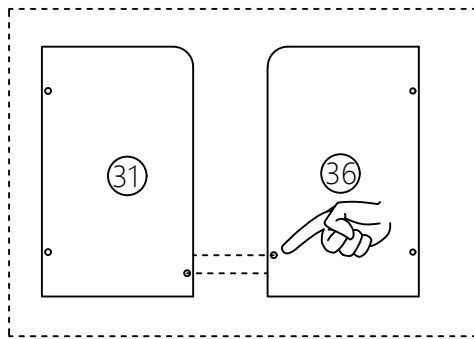
# Step 21



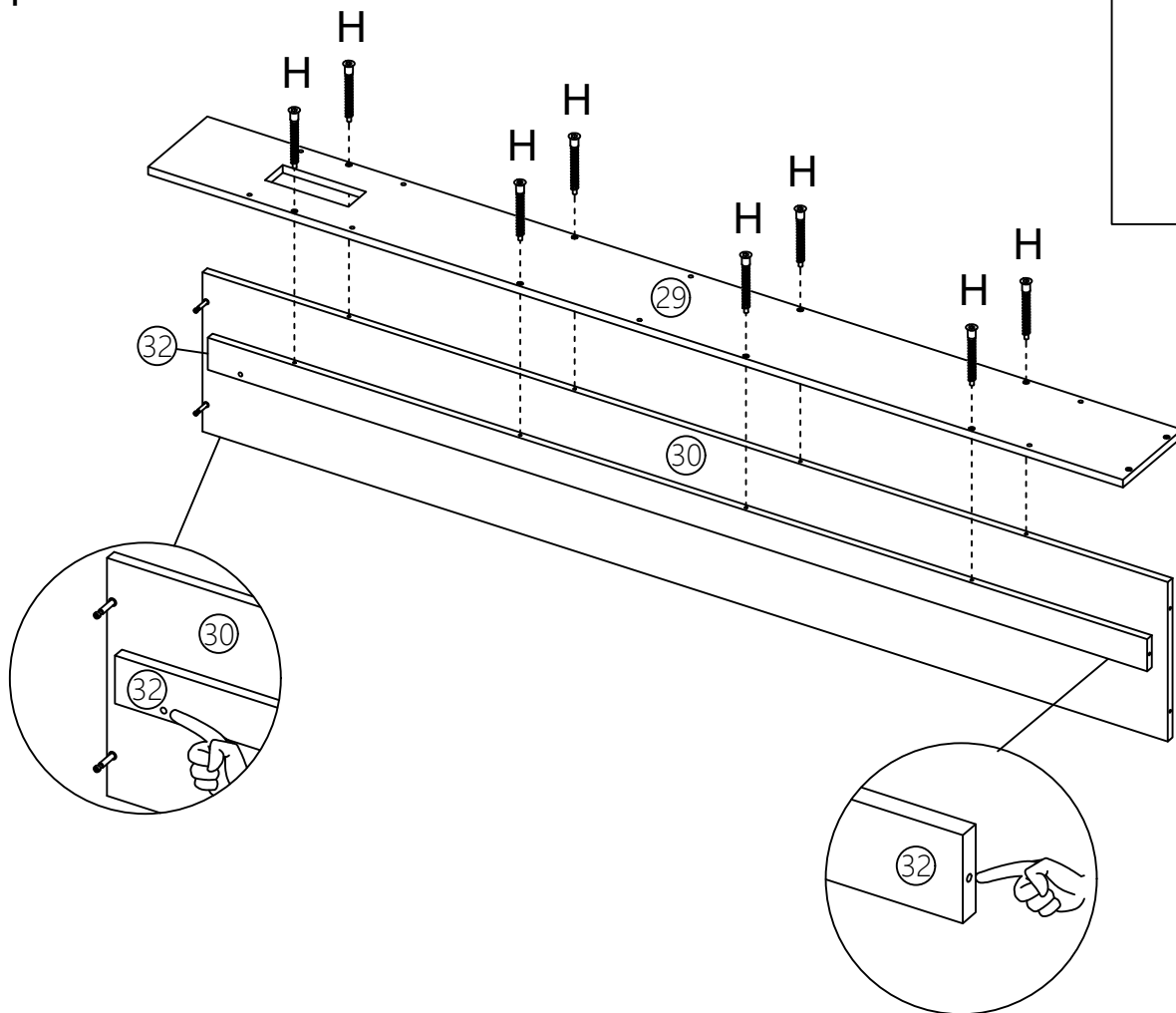
## Tighten all screws



# Step 22



# Step 23

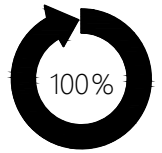


H

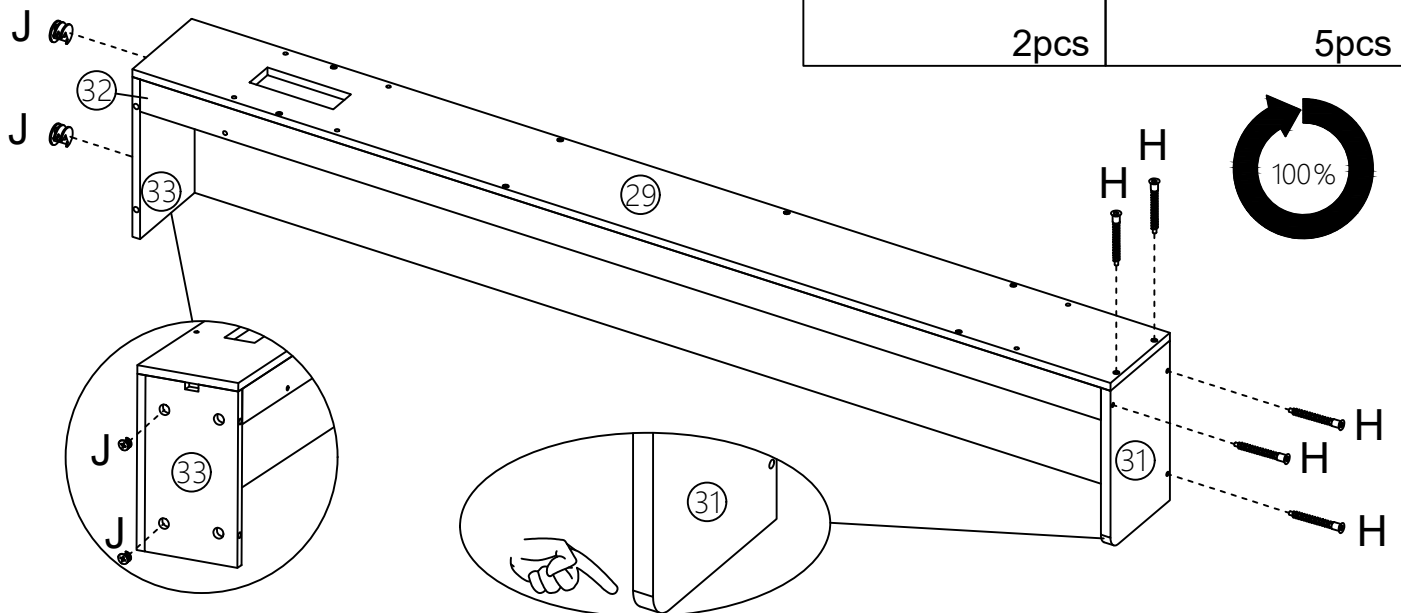


M5x38

8pcs



# Step 24



J



Ø15x10

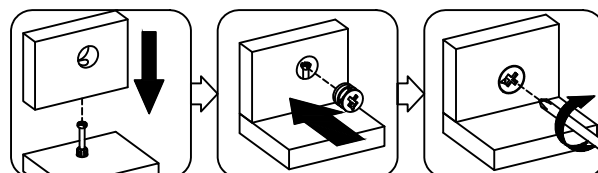
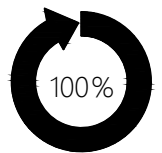
2pcs

H

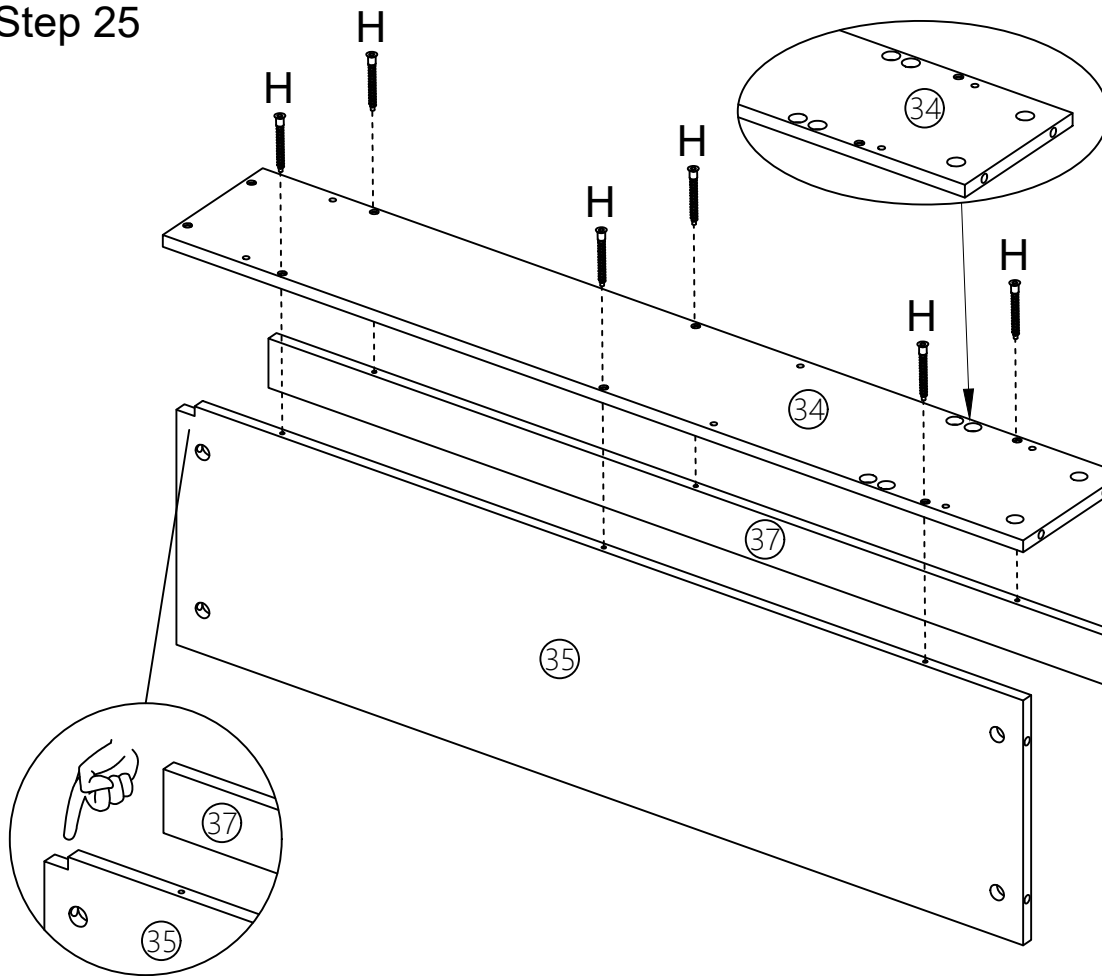



M5x38

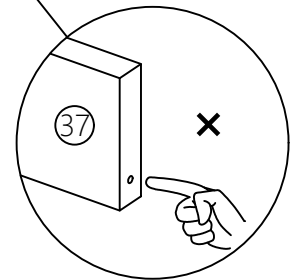
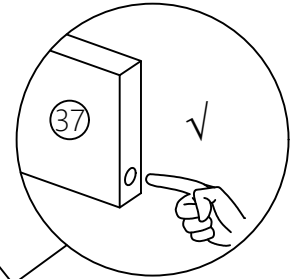
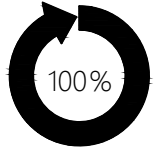
5pcs



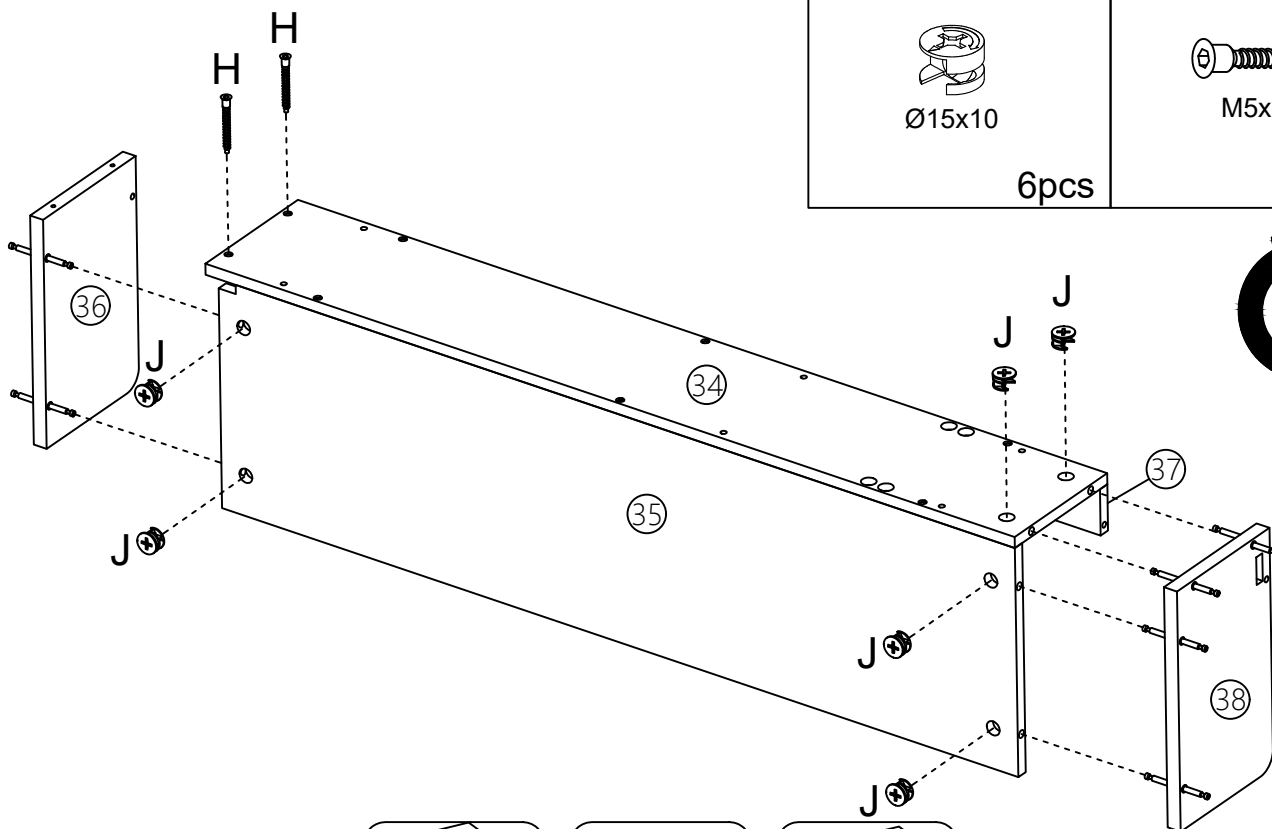
### Step 25

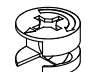



**H**  
  
M5x38  
6pcs

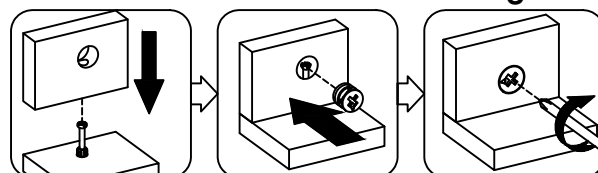
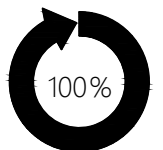


### Step 26

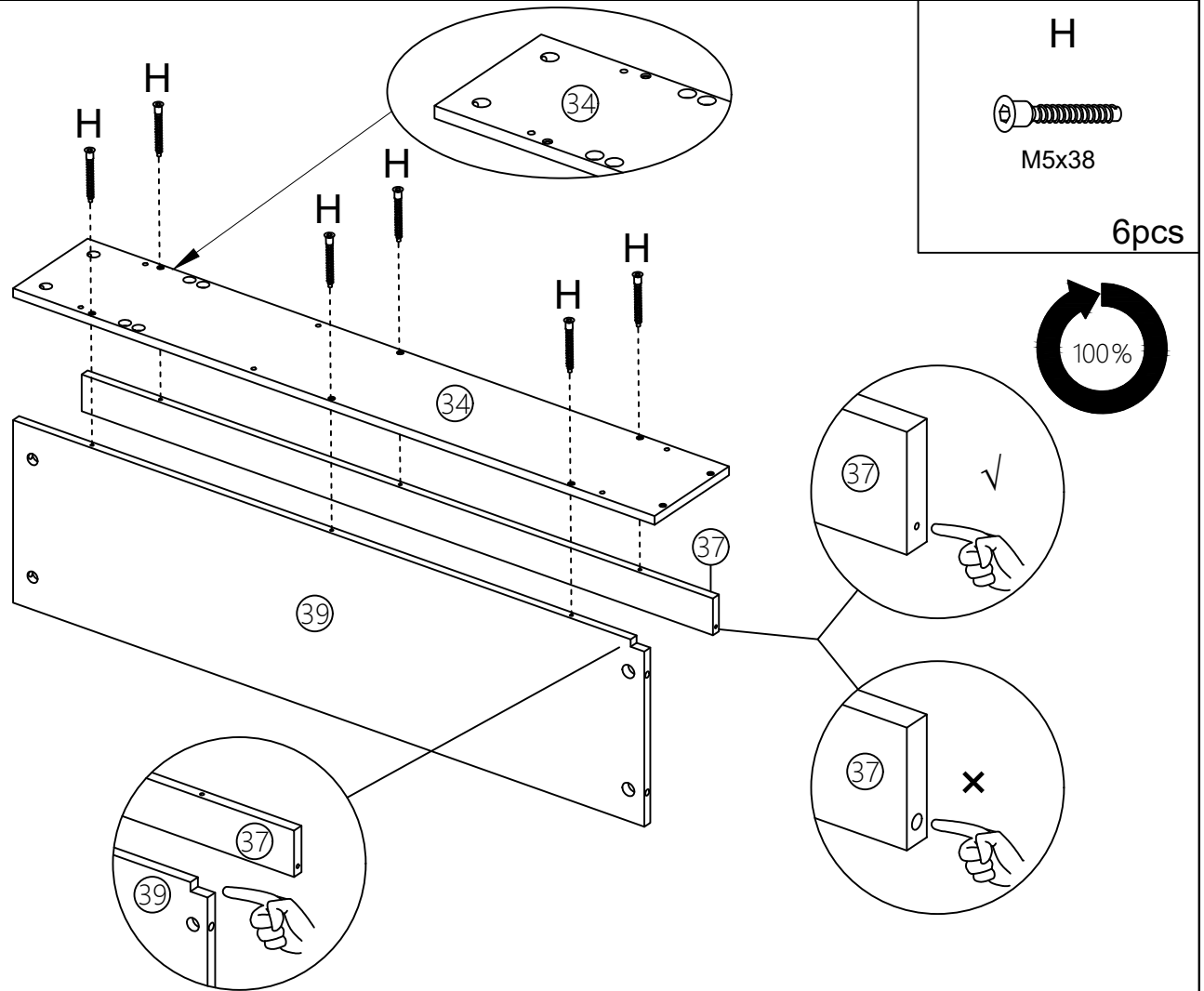


**J**  
  
Ø15x10  
6pcs

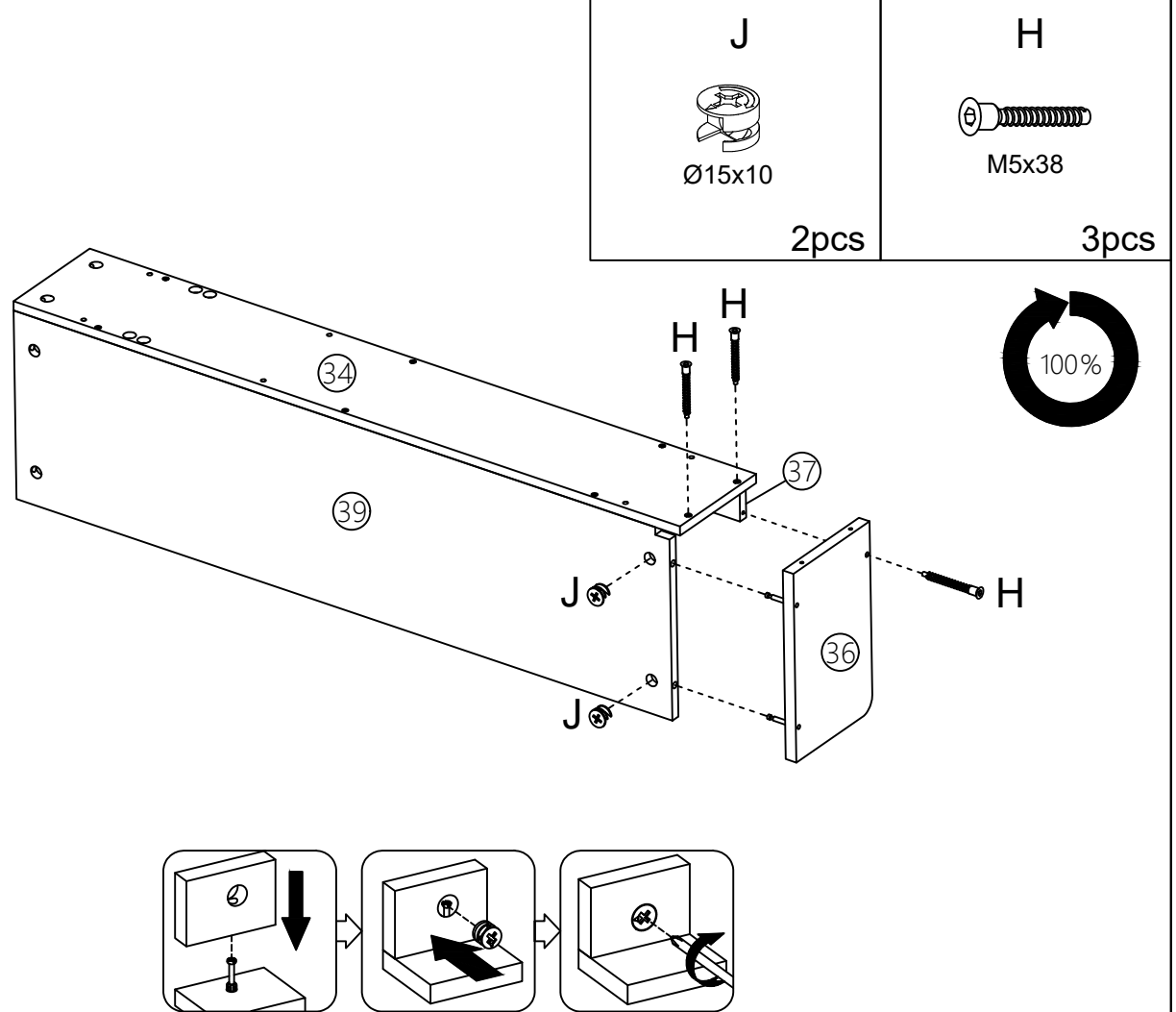
**H**  
  
M5x38  
2pcs



# Step 27



# Step 28



# Step 29

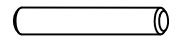
J



Ø15x10

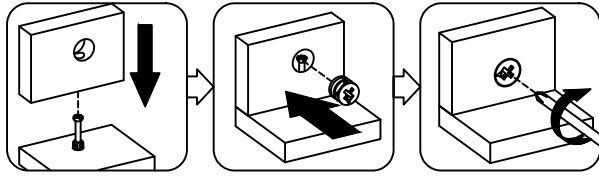
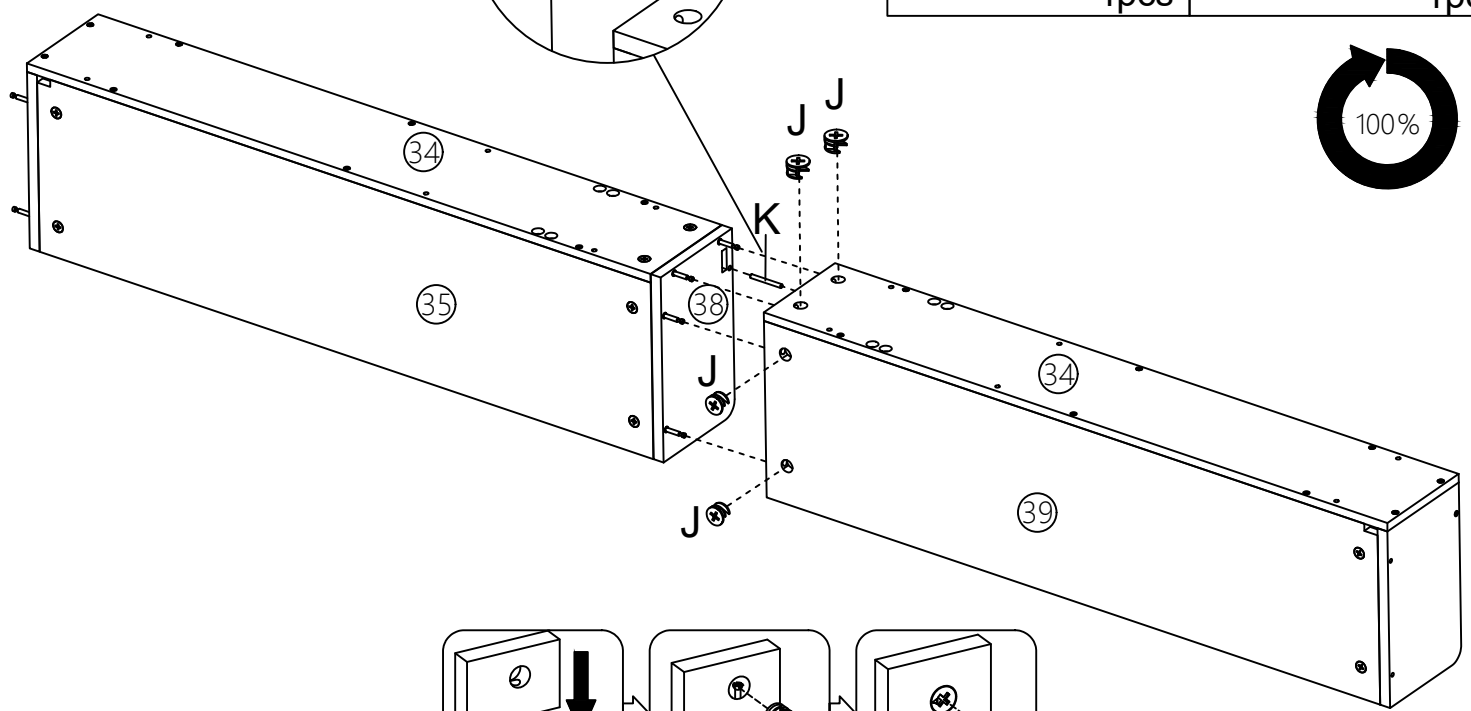
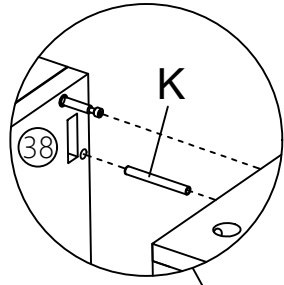
4pcs

K



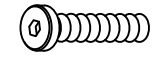
Ø6x60

1pc



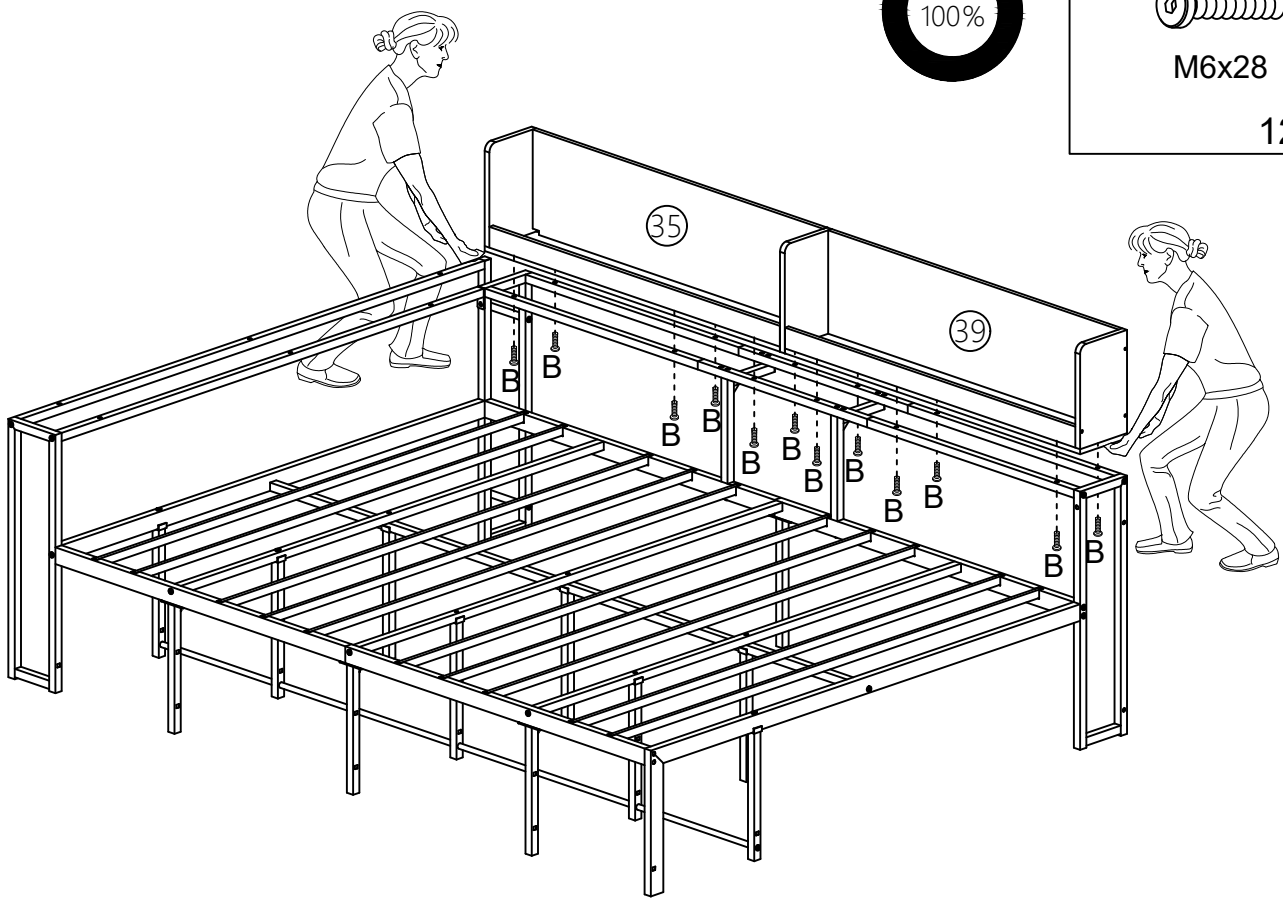
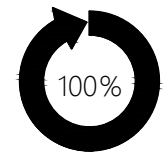
# Step 30

B



M6x28

12pcs



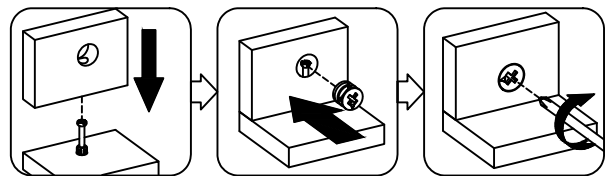
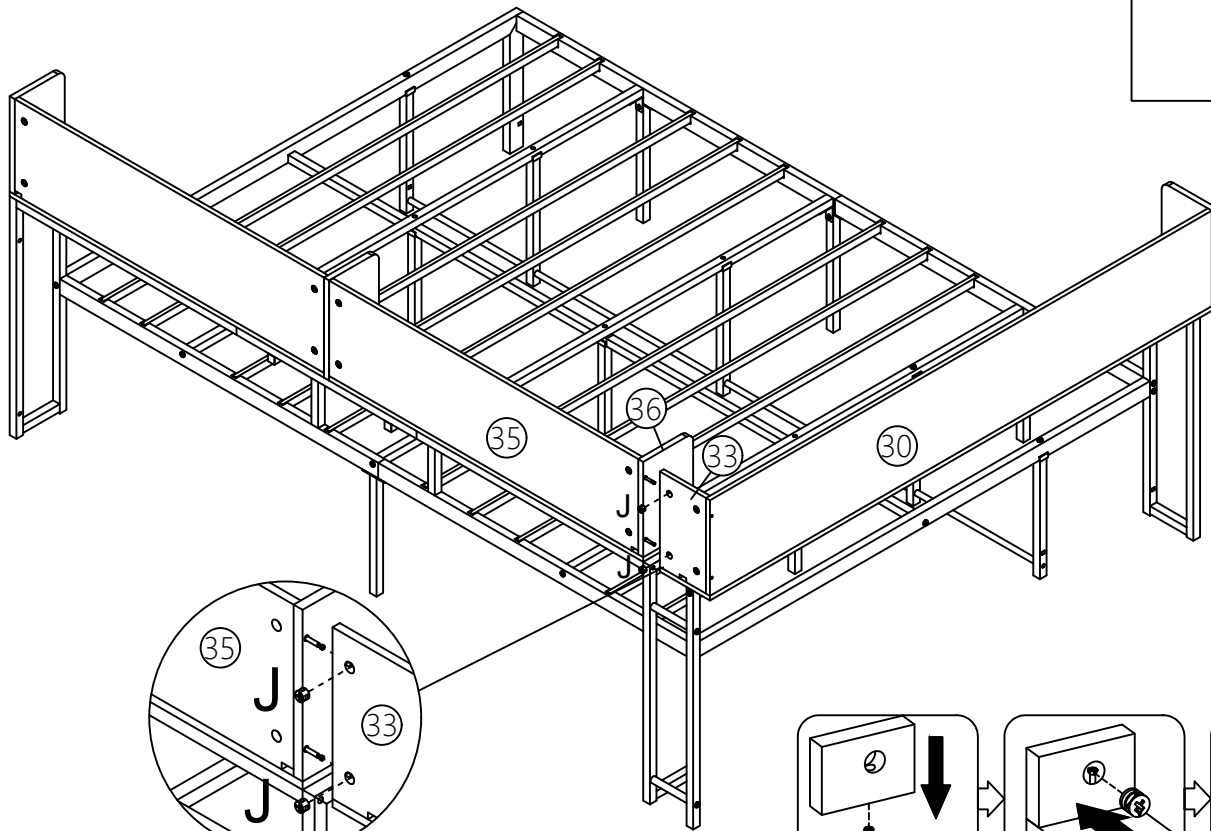
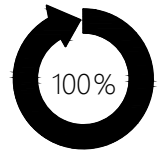
# Step 31

J

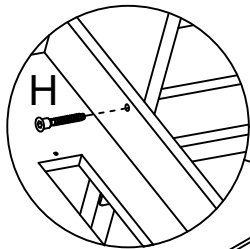


Ø15x10

2pcs



# Step 32



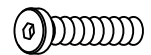
H



M5x38

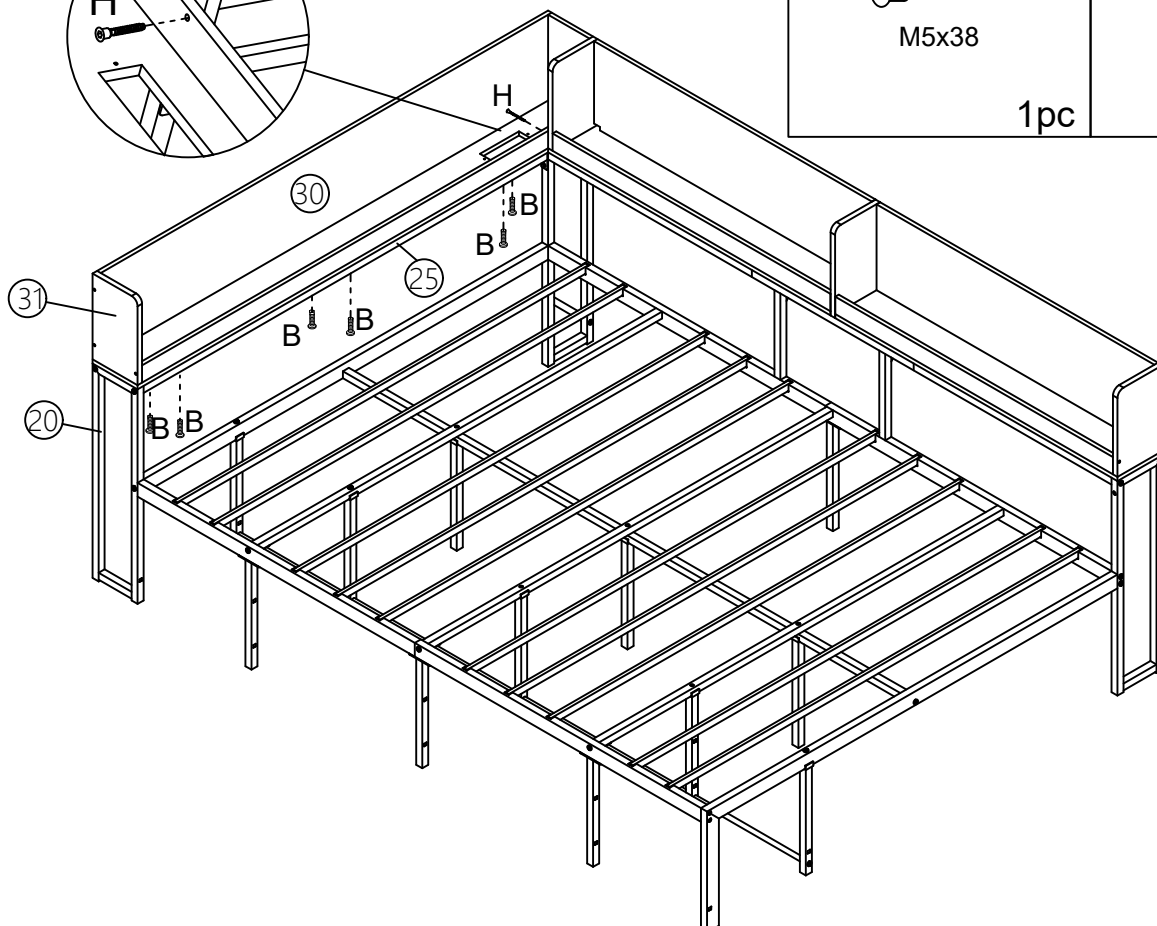
1pc

B

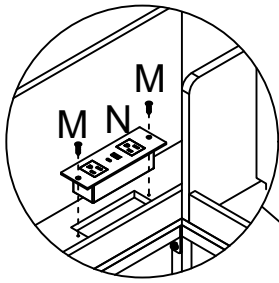


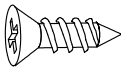
M6x28

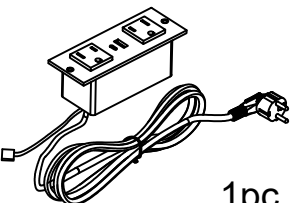
6pcs

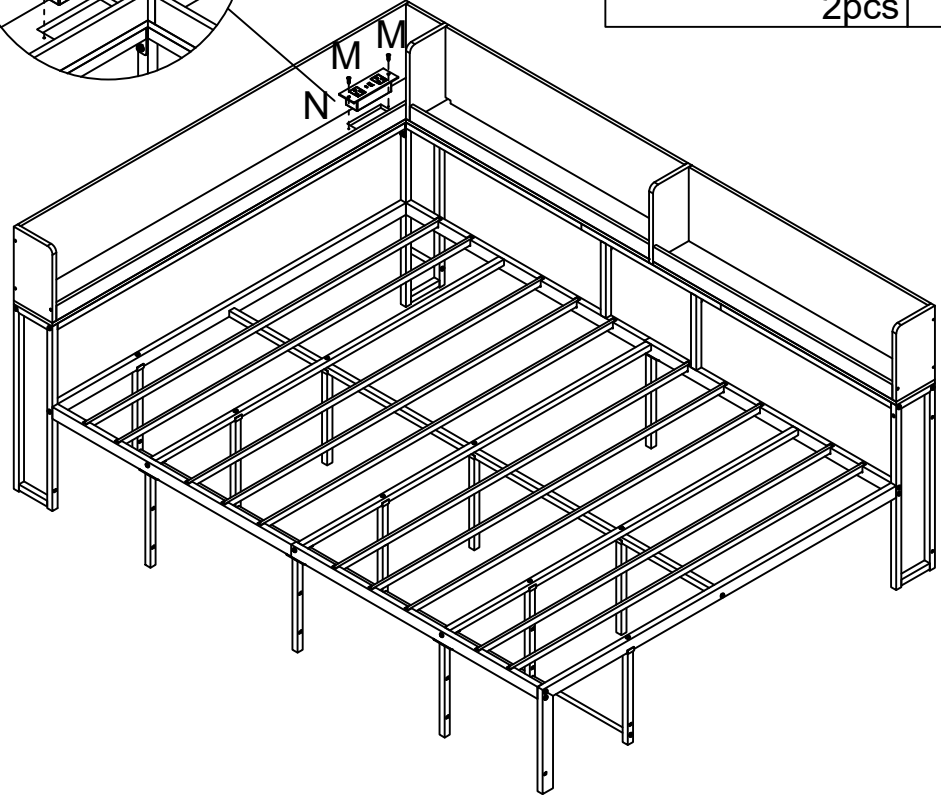
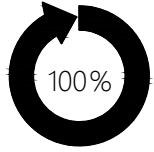


### Step 33

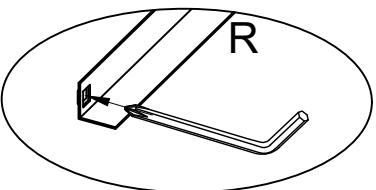


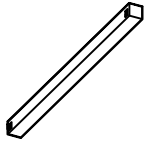
**M**  
  
Ø3.5x12  
2pcs

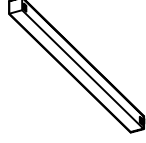
**N**  
  
1pc

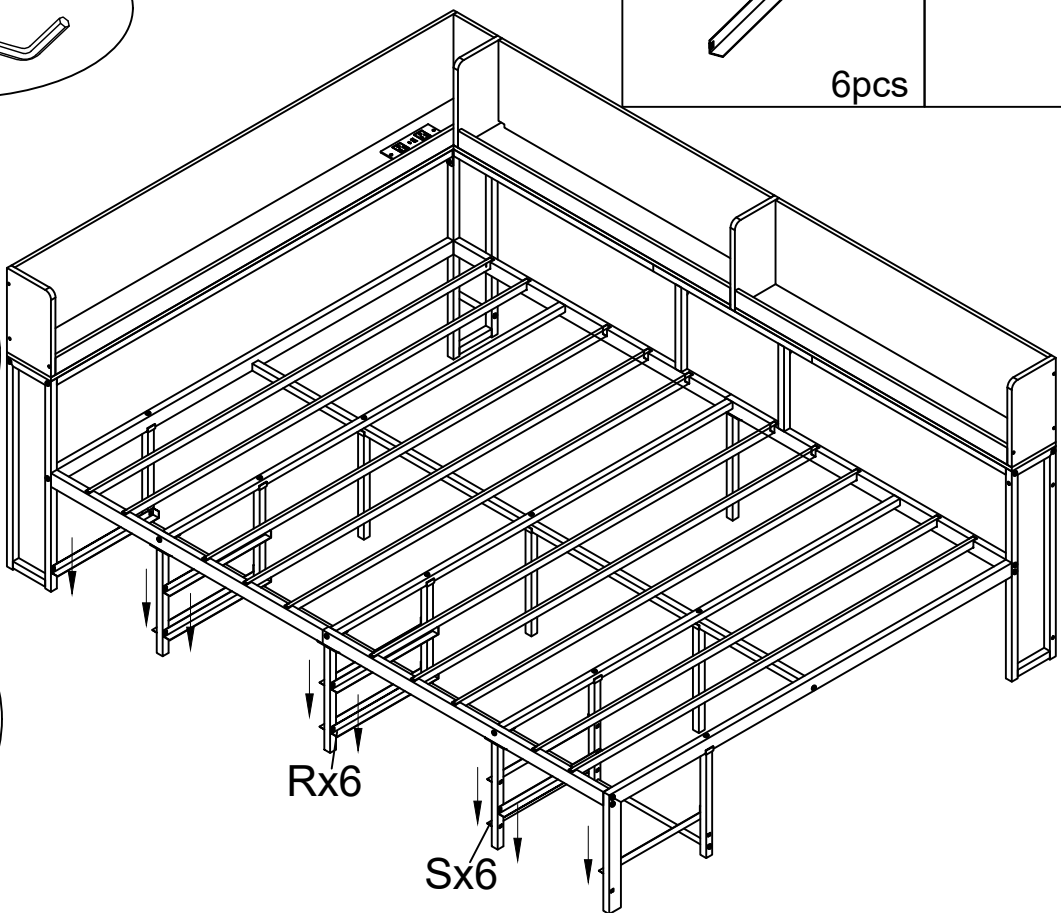
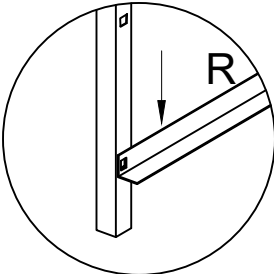
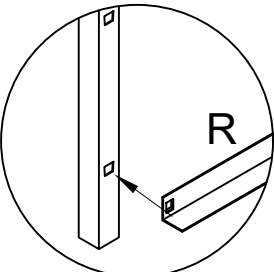


### Step 34

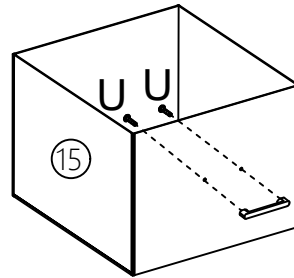
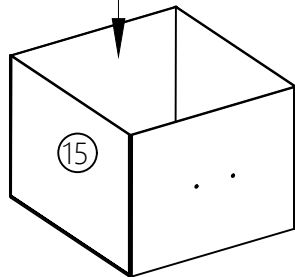
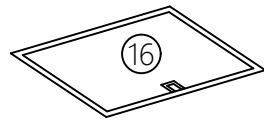


**R**  
  
6pcs

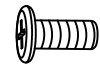
**S**  
  
6pcs



### Step 35



U



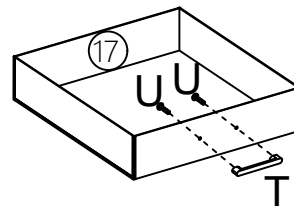
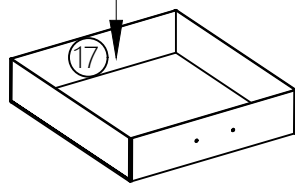
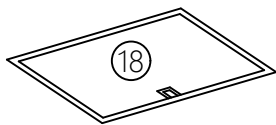
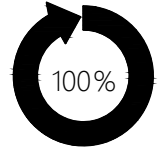
M4x10

12pcs

T

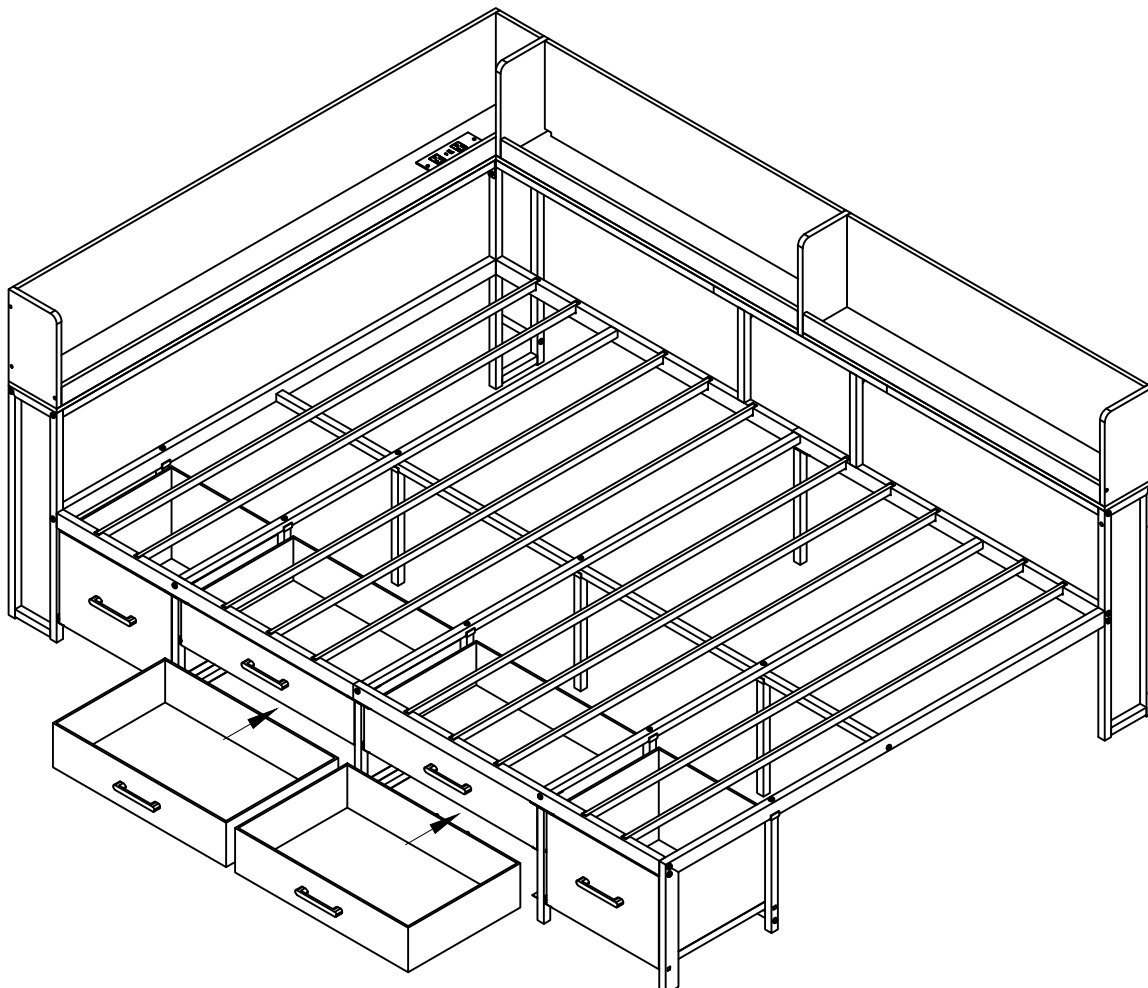


6pcs

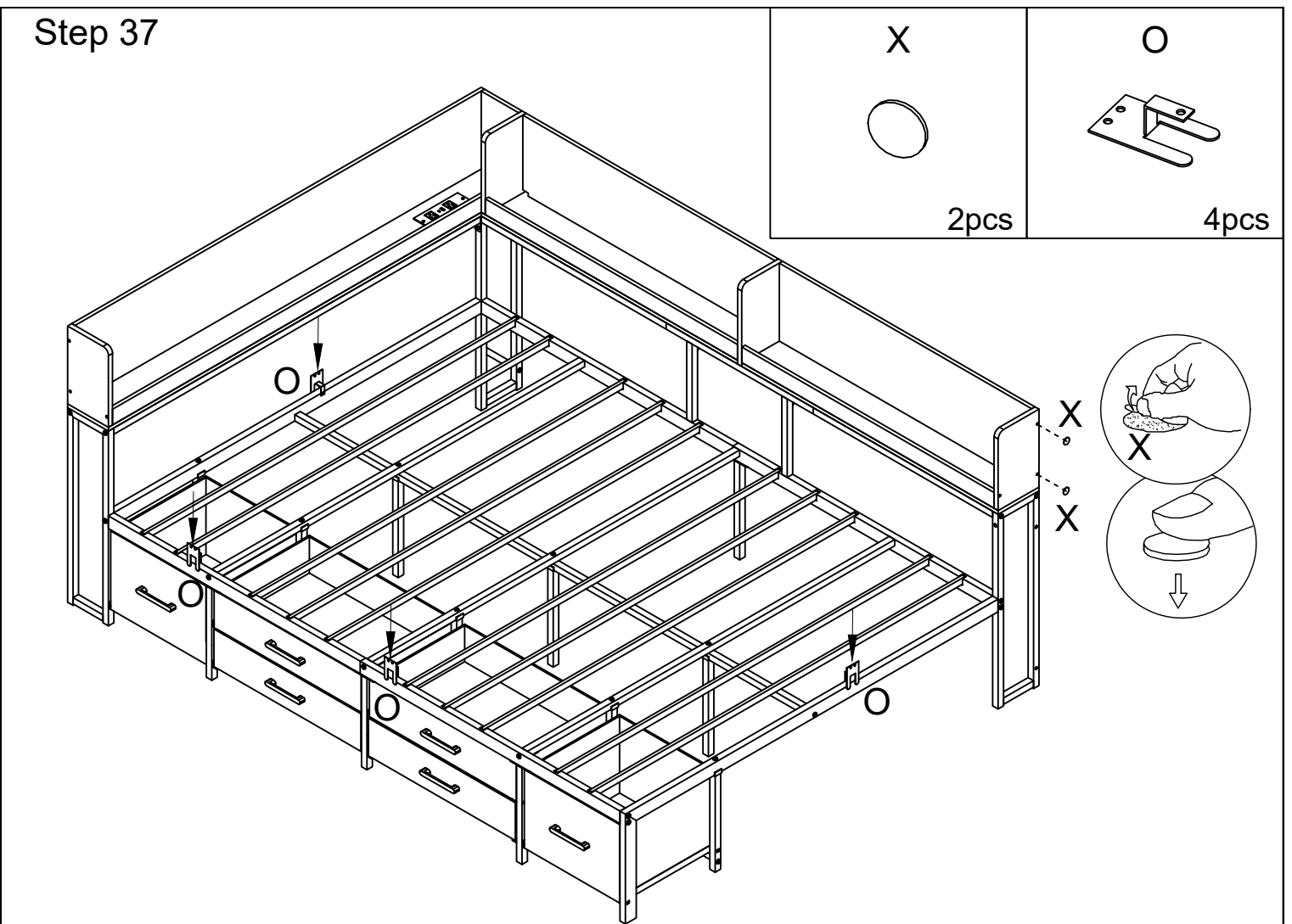


x4

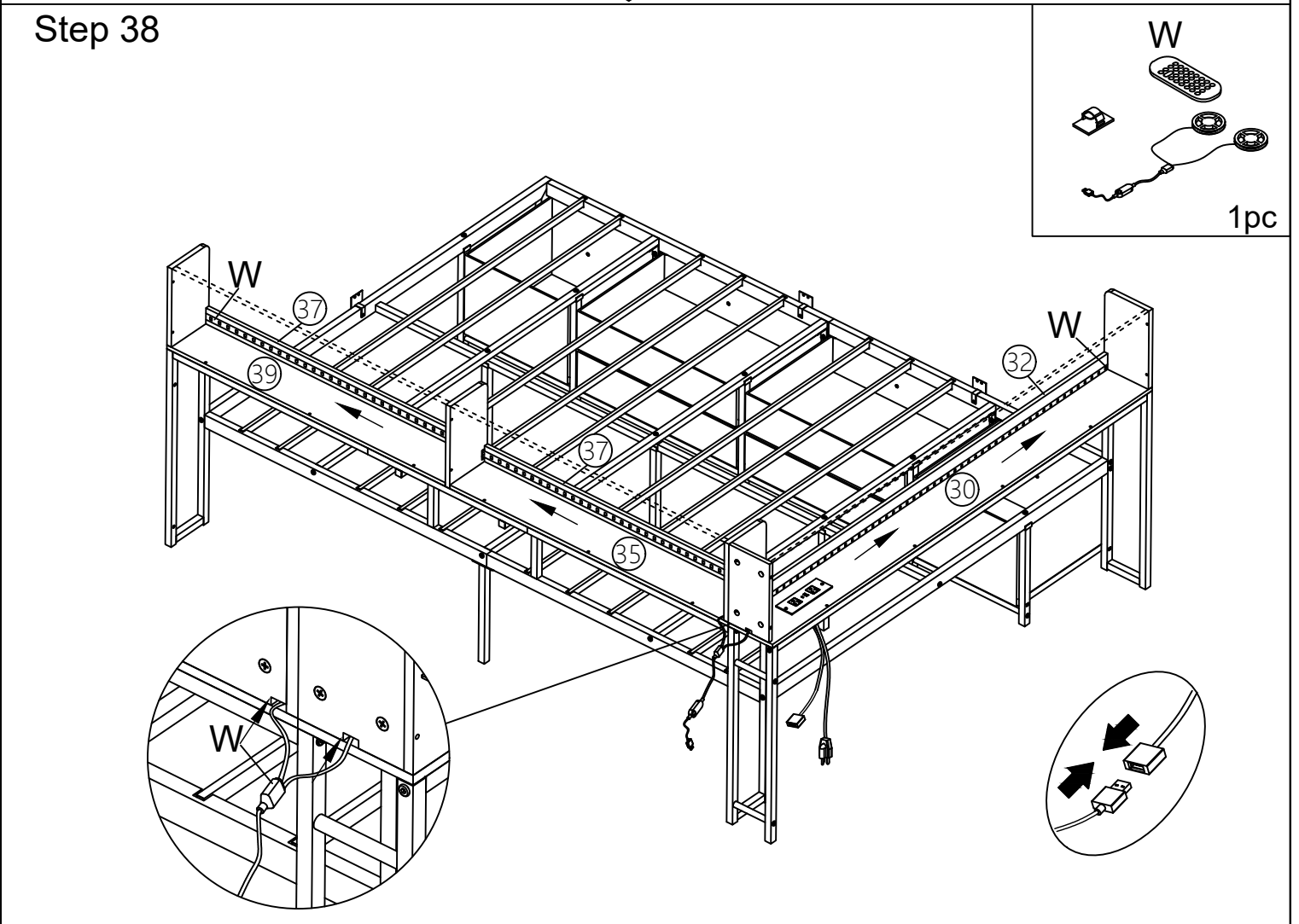
### Step 36

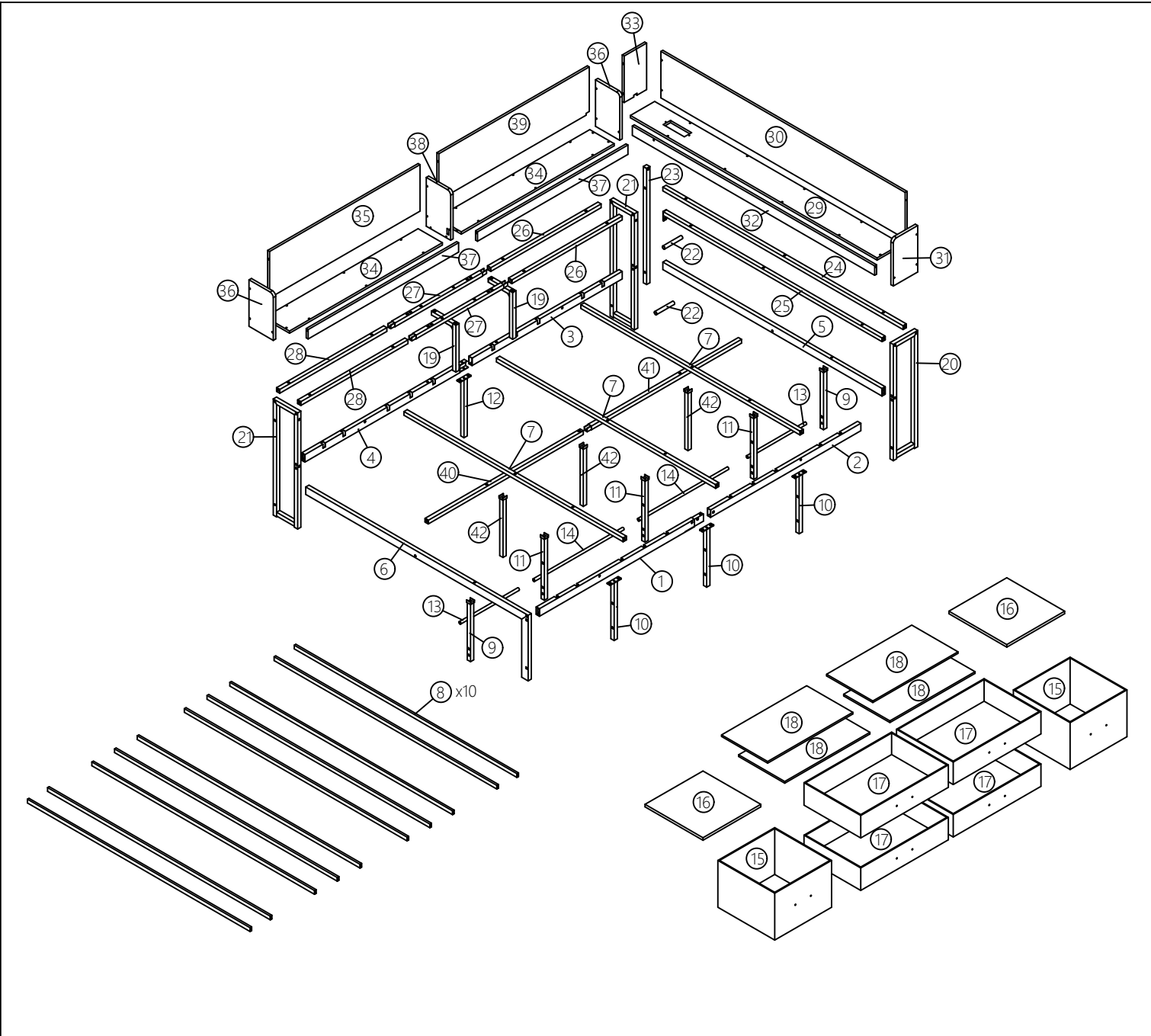
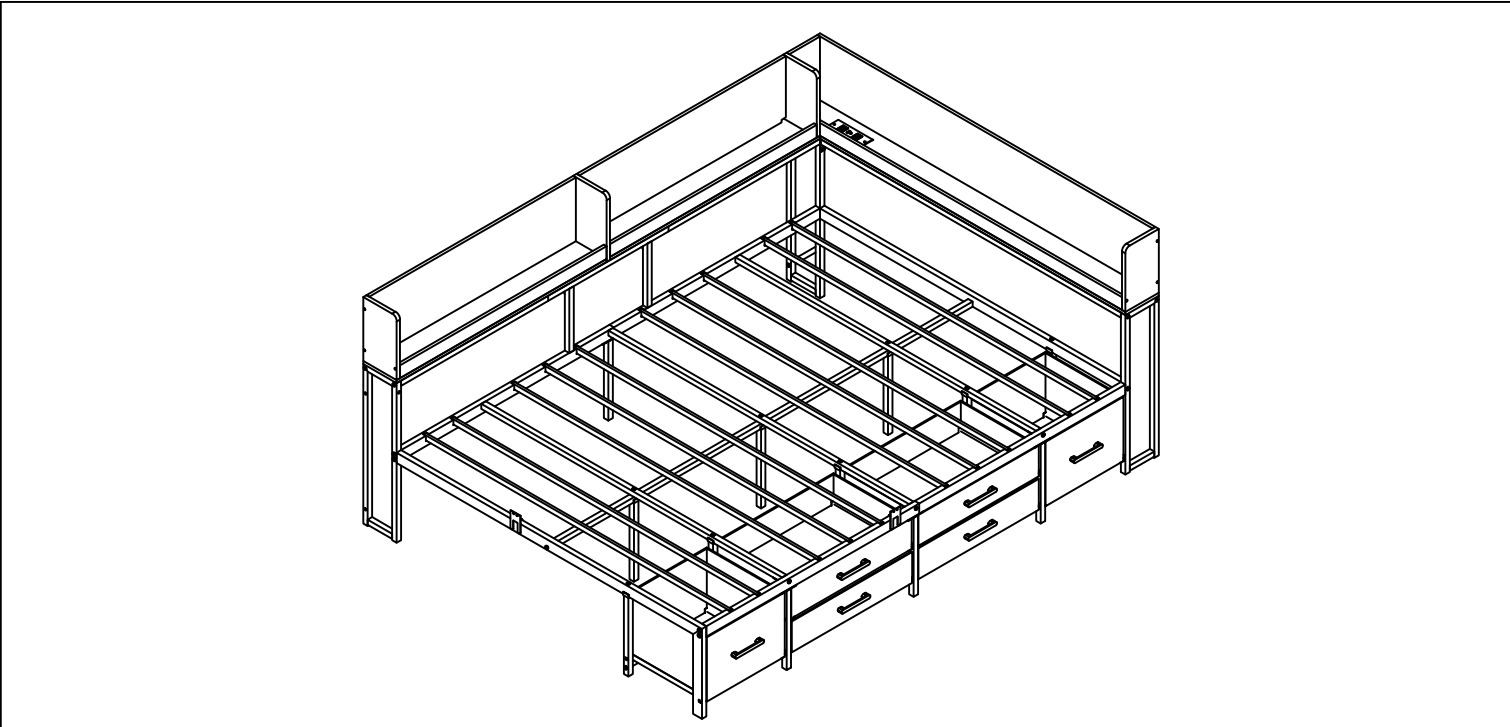


### Step 37

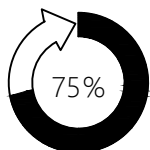


### Step 38

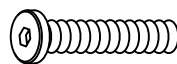




# Step 1



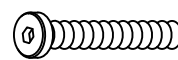
F



M8x40

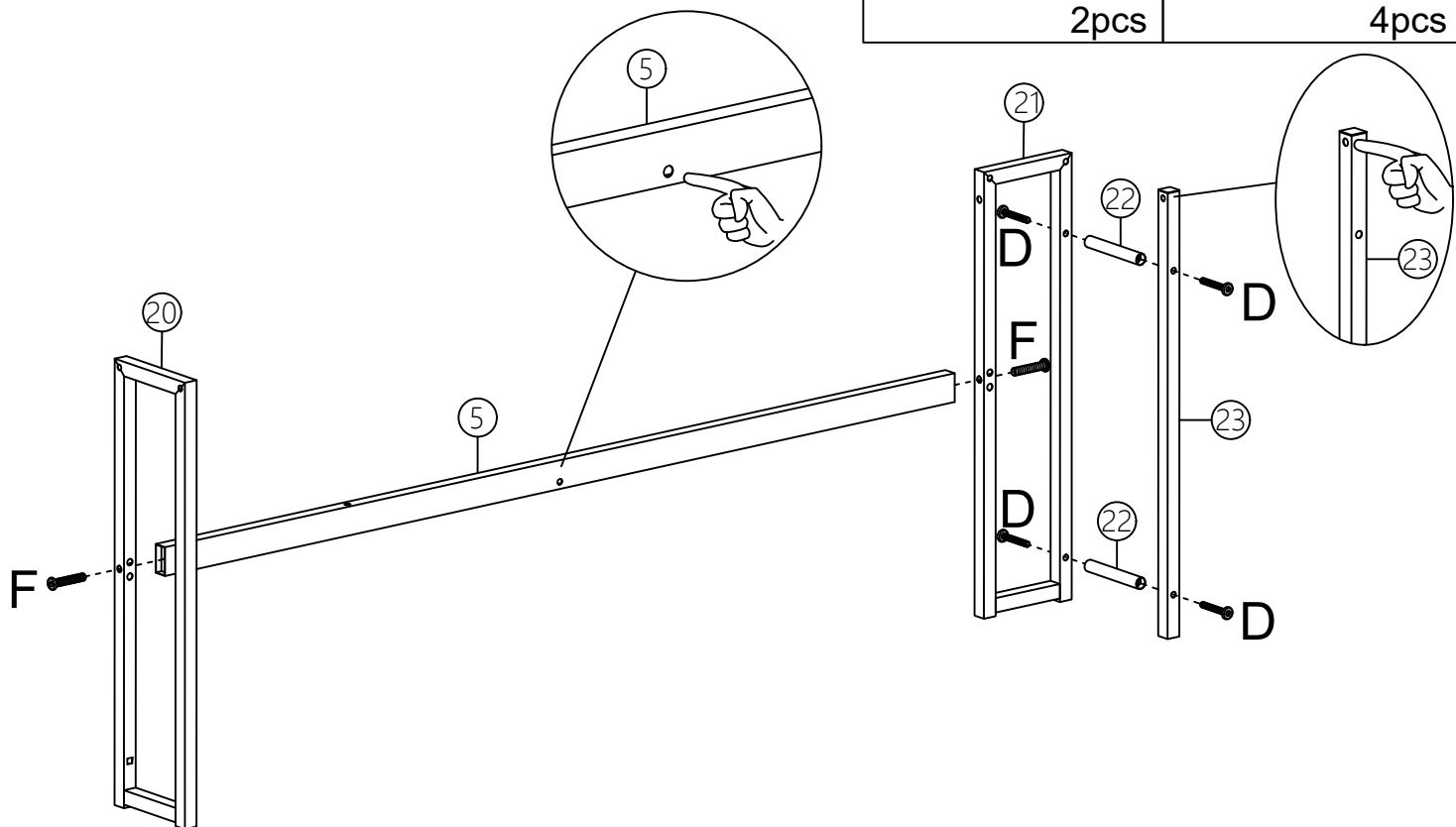
2pcs

D

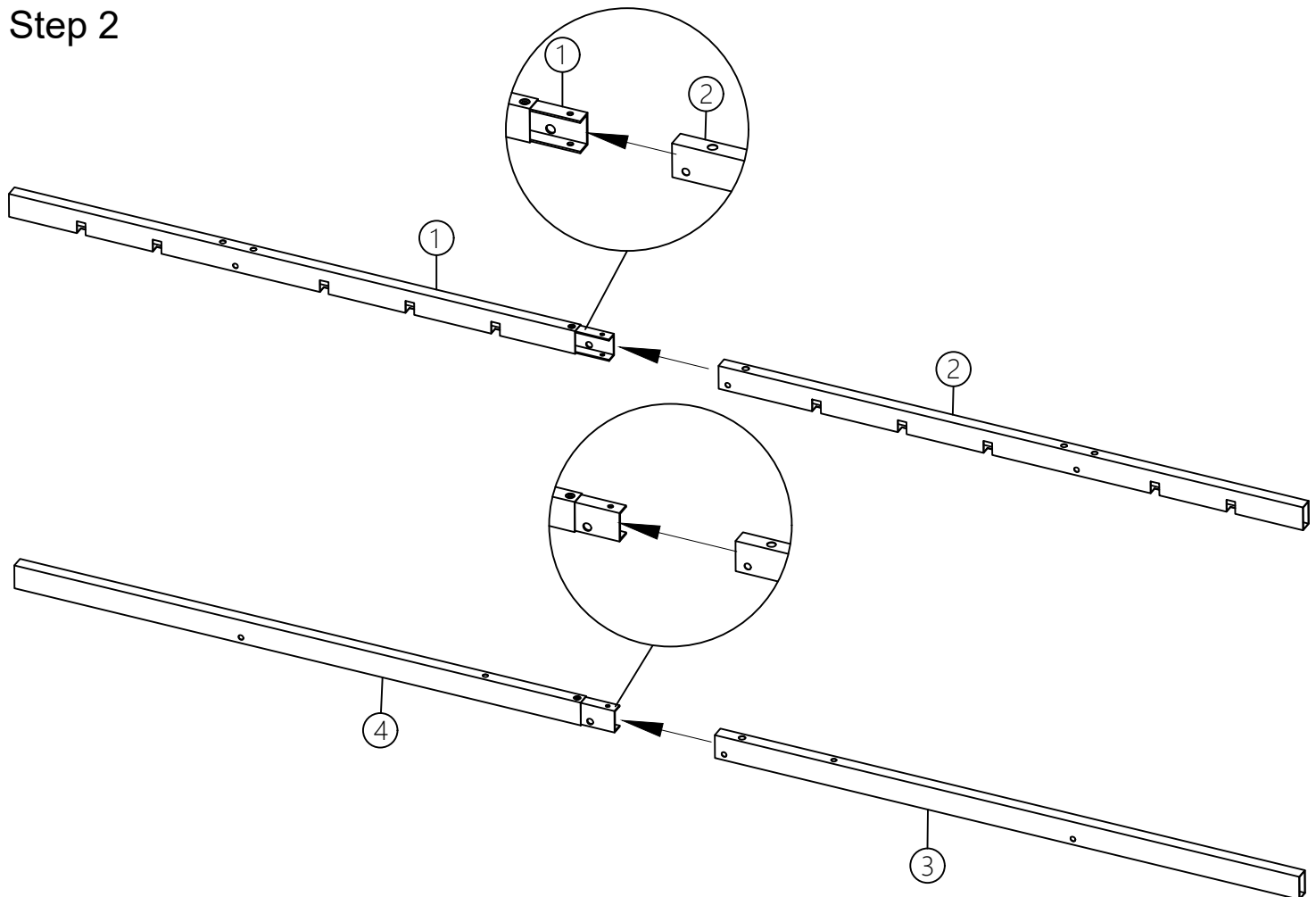


M6x40

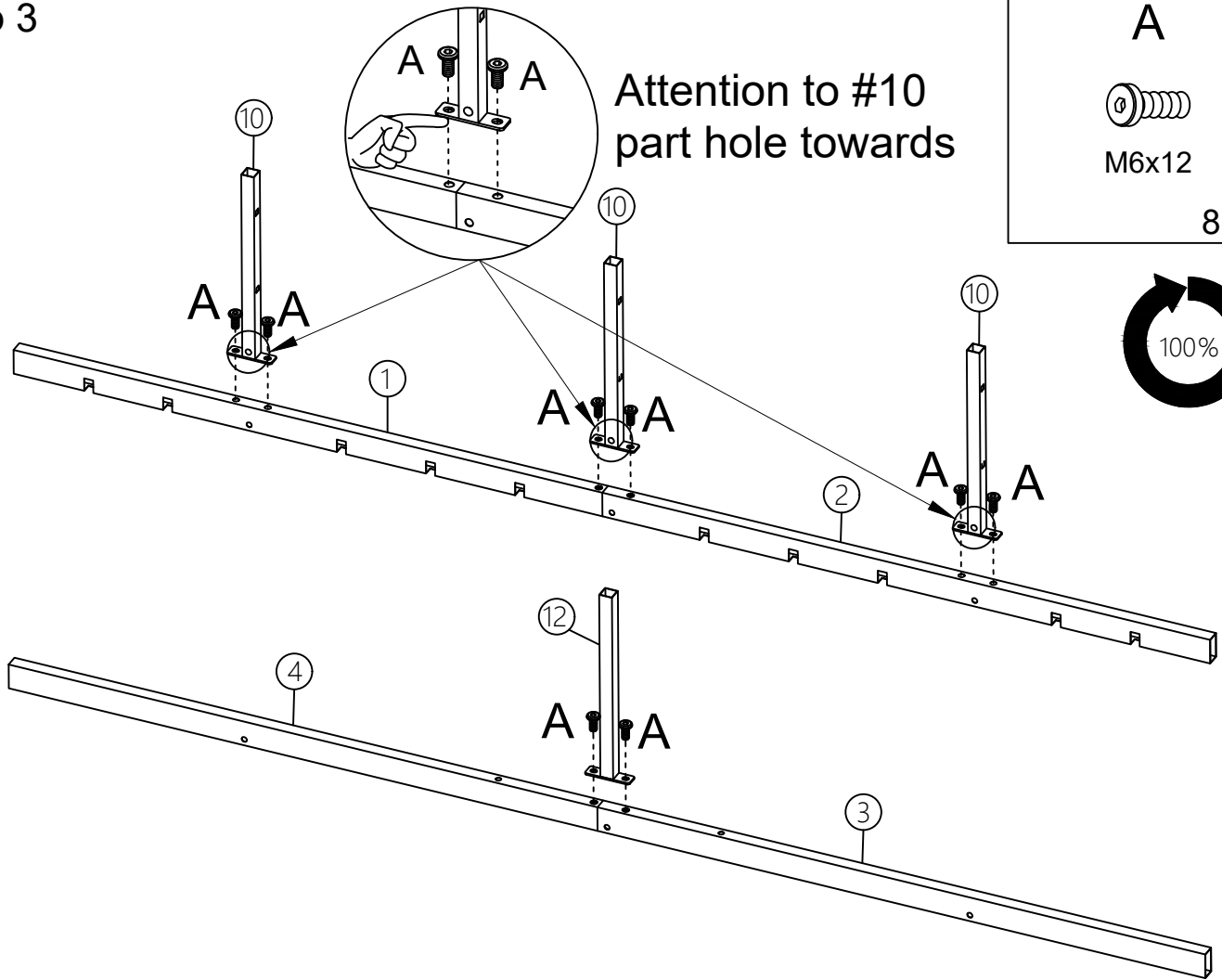
4pcs



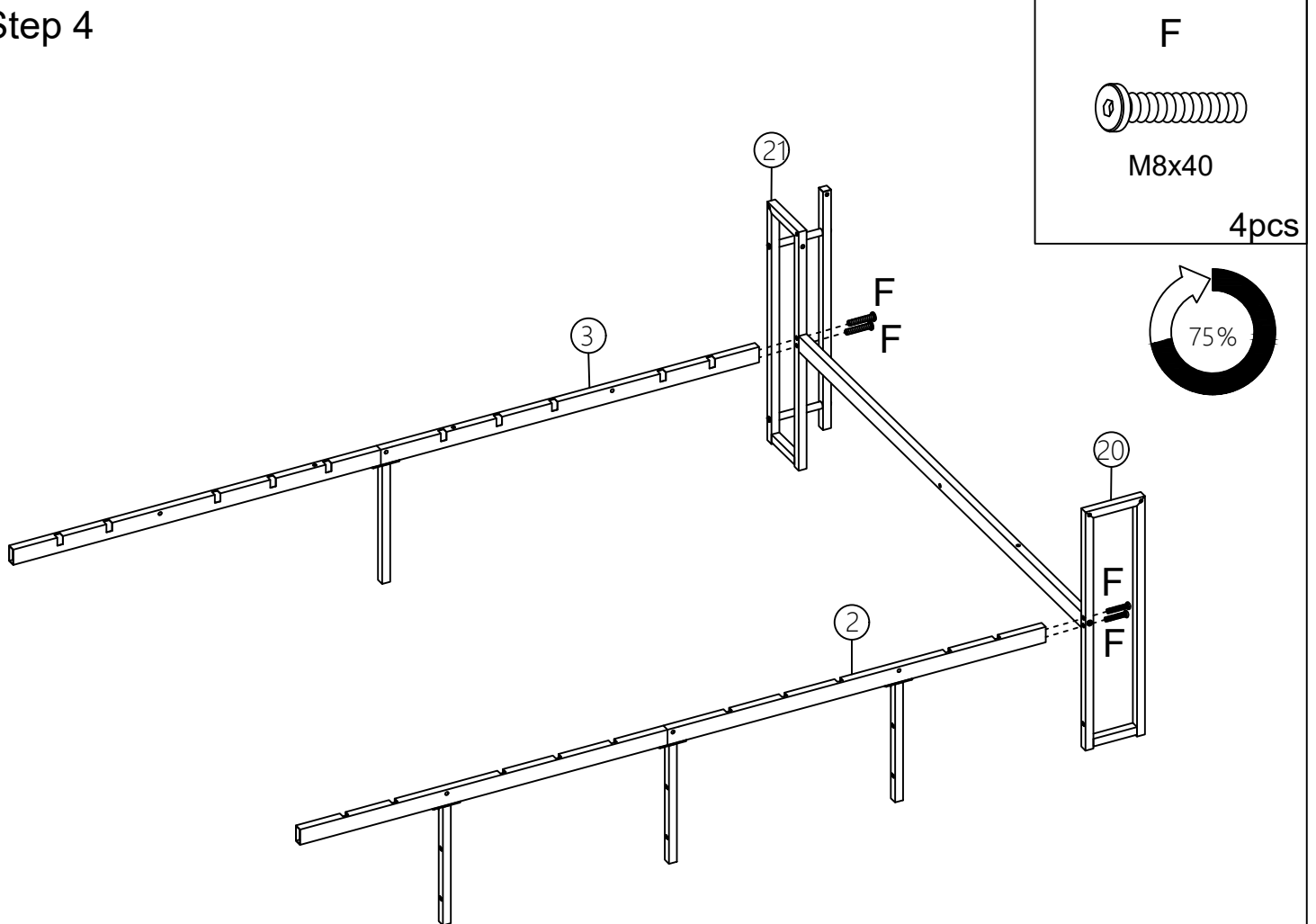
# Step 2



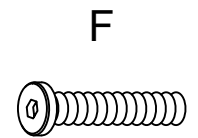
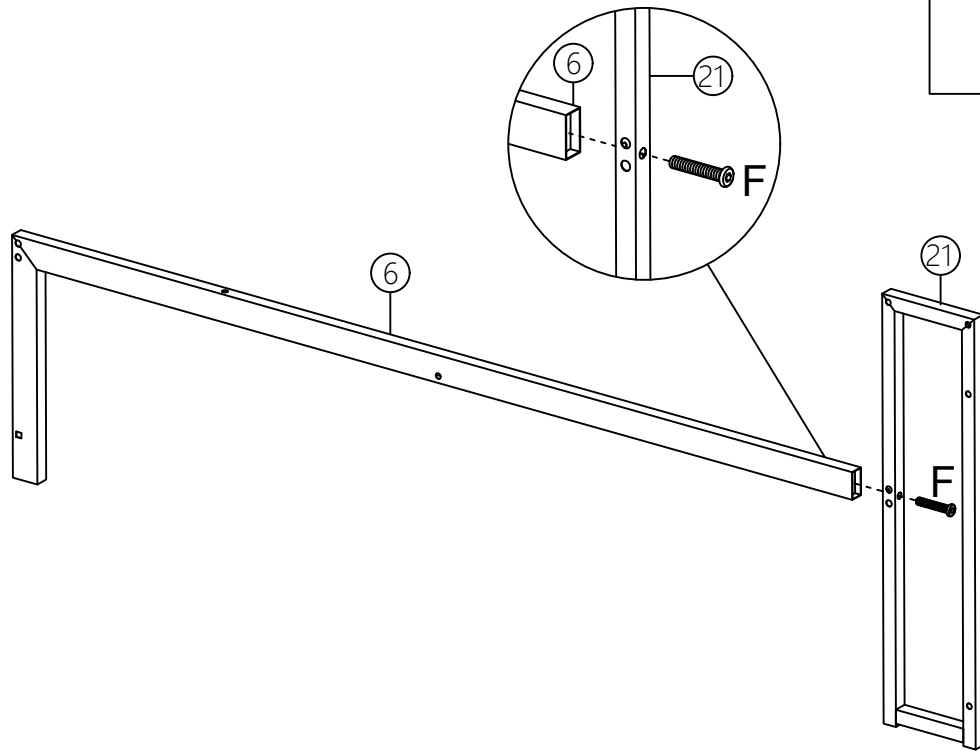
### Step 3



### Step 4

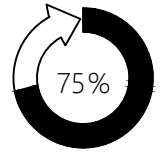


# Step 5

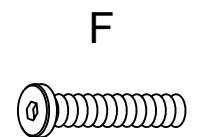
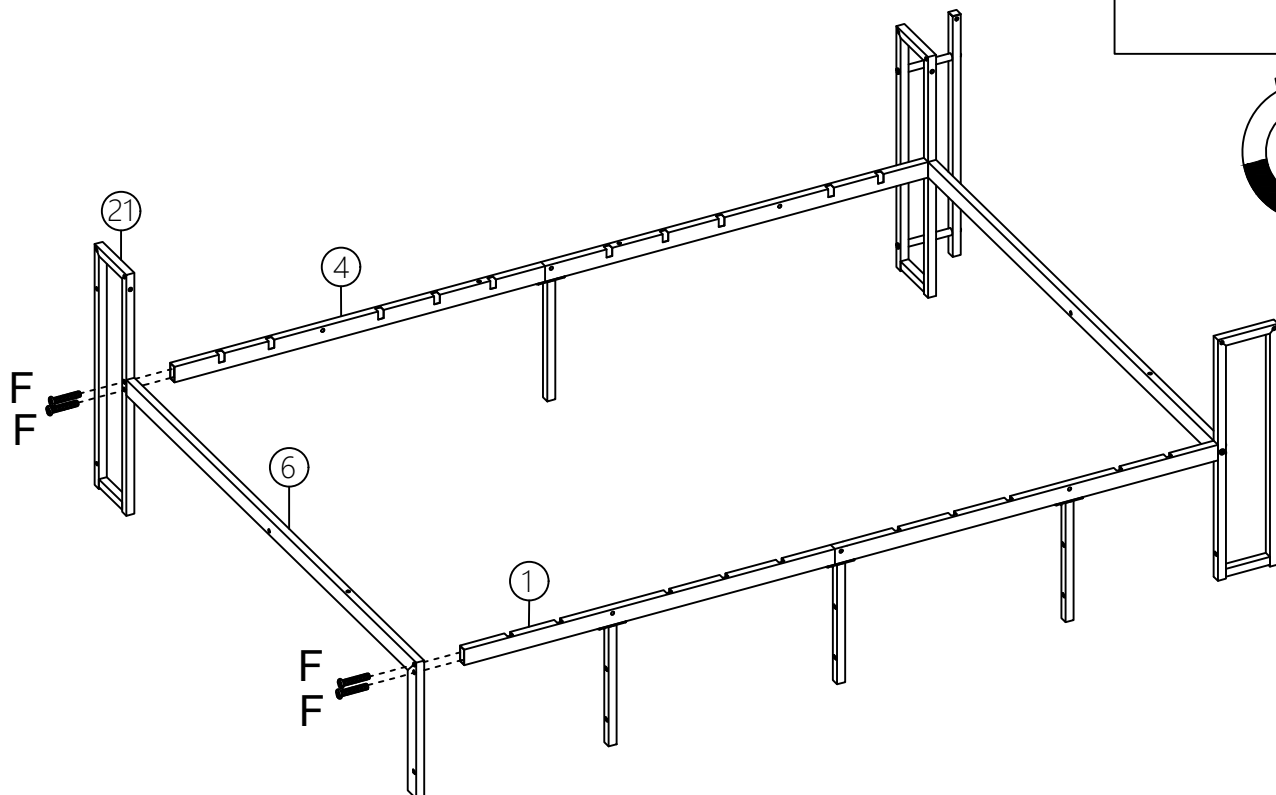


M8x40

1pc

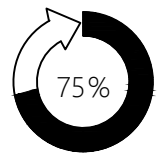


# Step 6



M8x40

4pcs



### Step 7

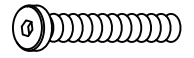
A



M6x12

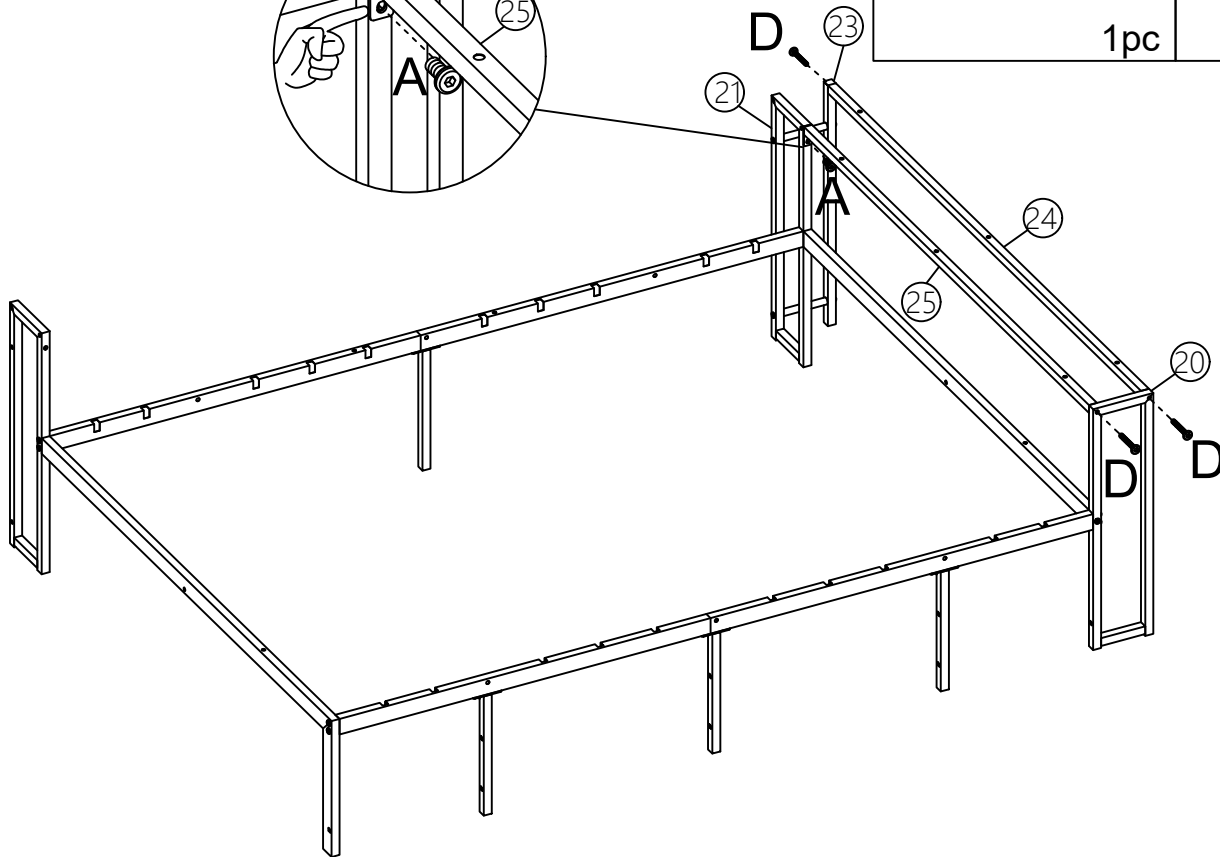
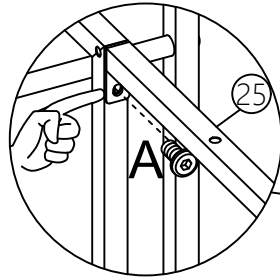
1pc

D



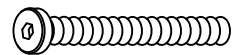
M6x40

3pcs



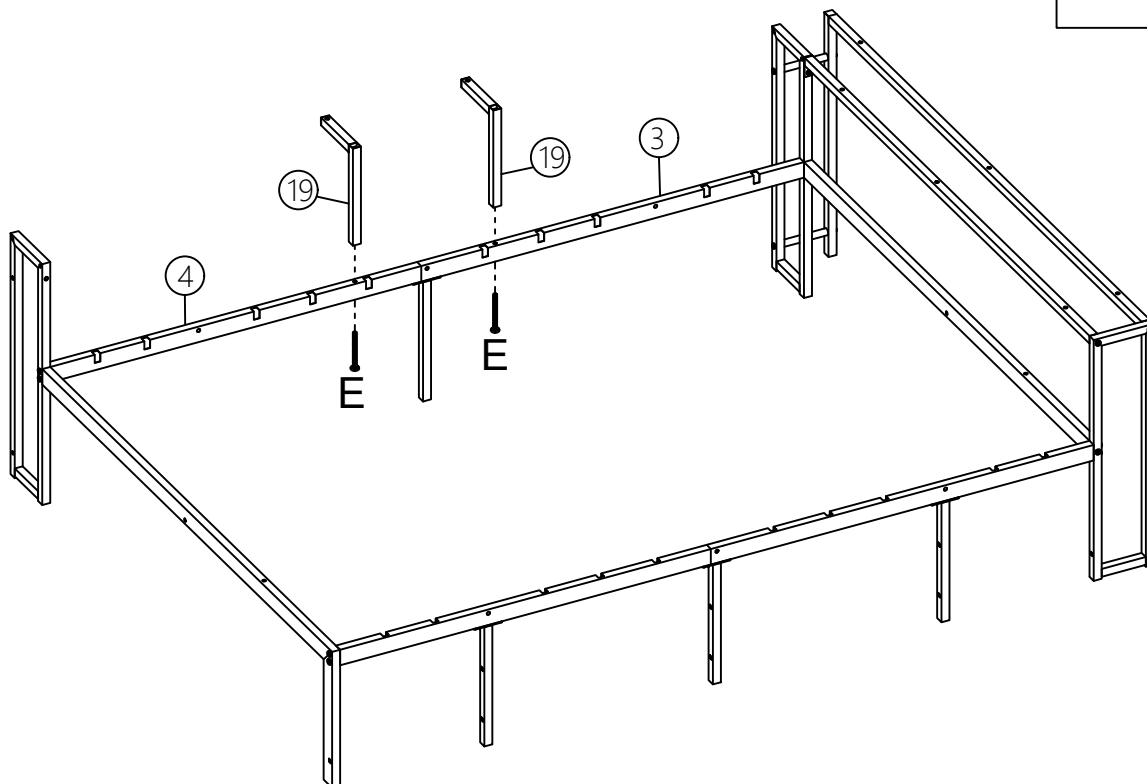
### Step 8

E



M6x60

2pcs



Step 9

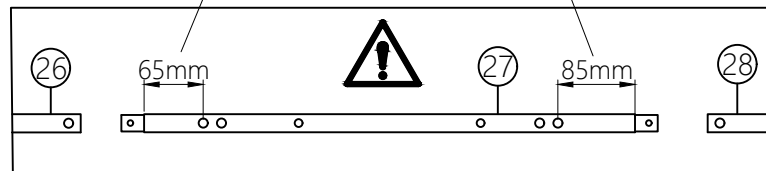
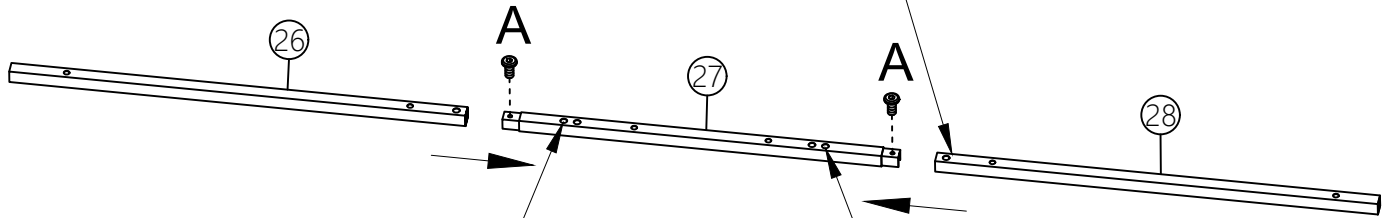
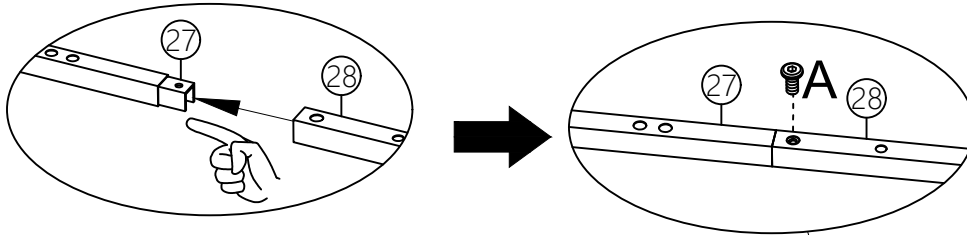
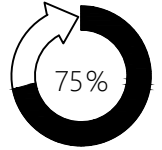


A



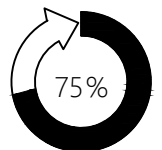
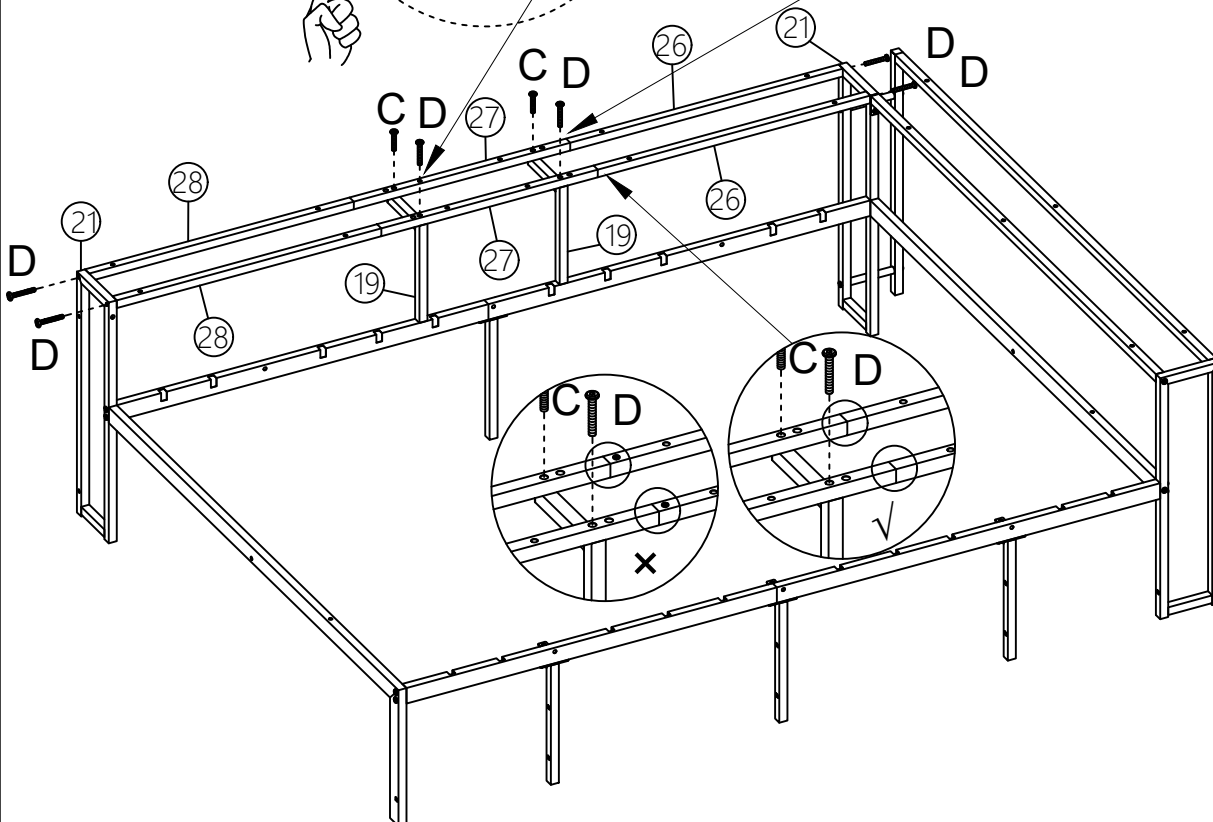
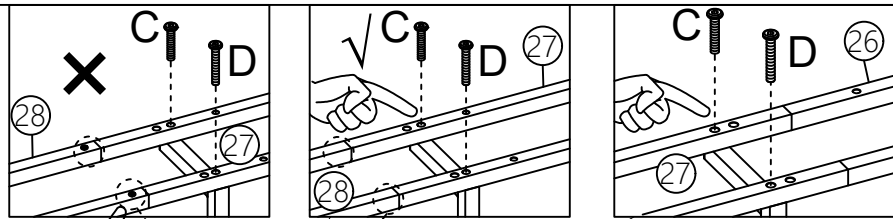
M6x12

4pcs

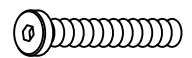


x2

Step 10



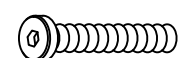
D



M6x40

6pcs

C

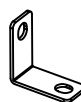


M6x35

2pcs

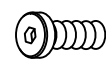
### Step 11

L



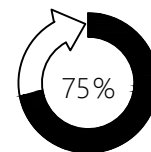
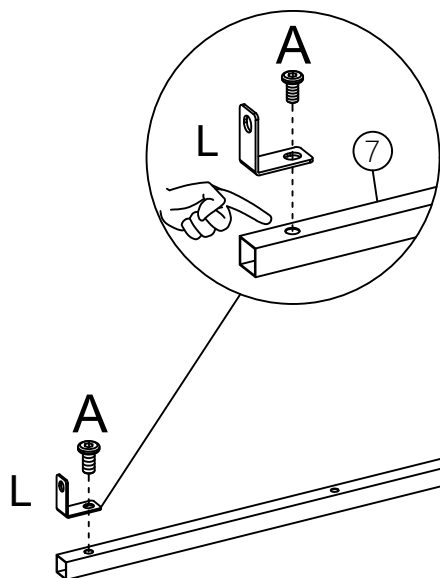
3pcs

A



M6x12

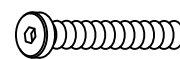
3pcs



x3

### Step 12

D



M6x40

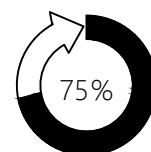
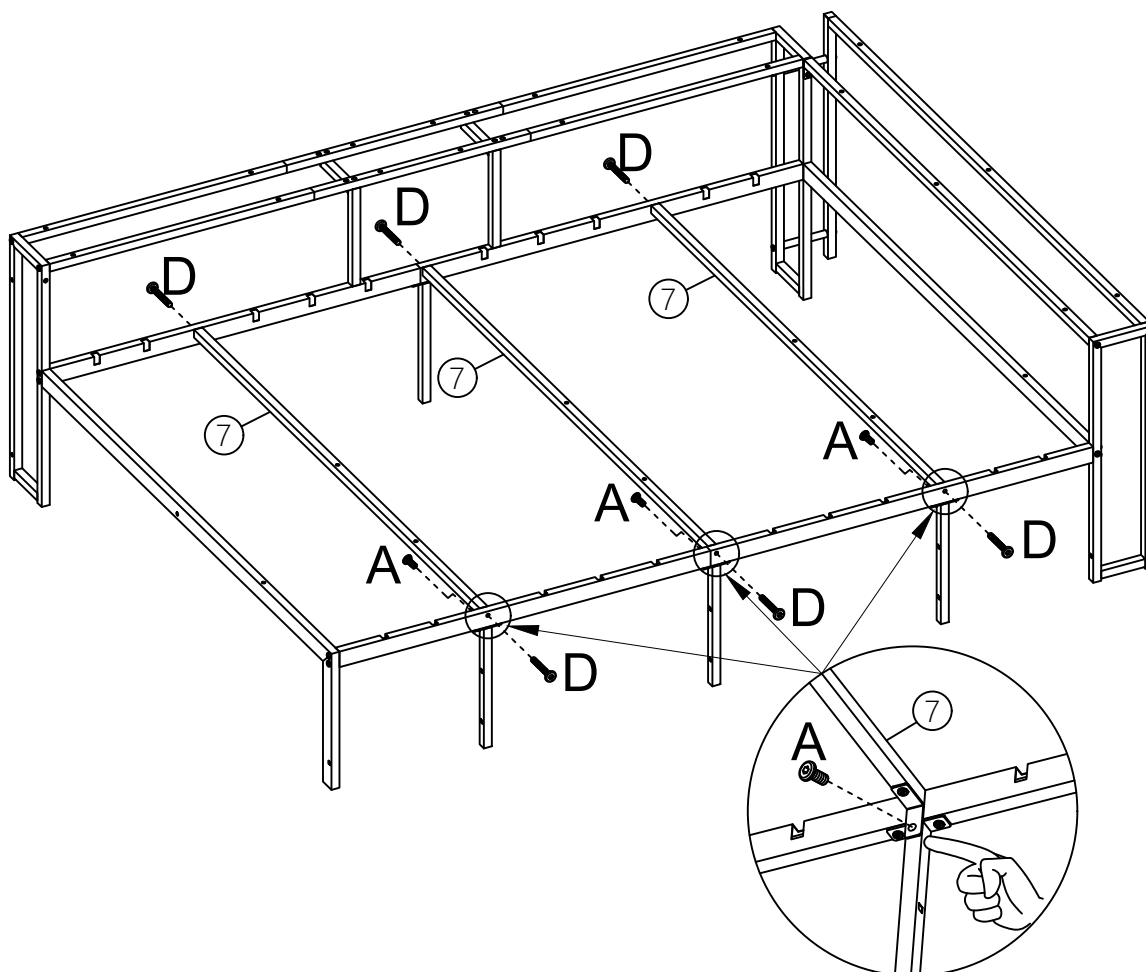
6pcs

A

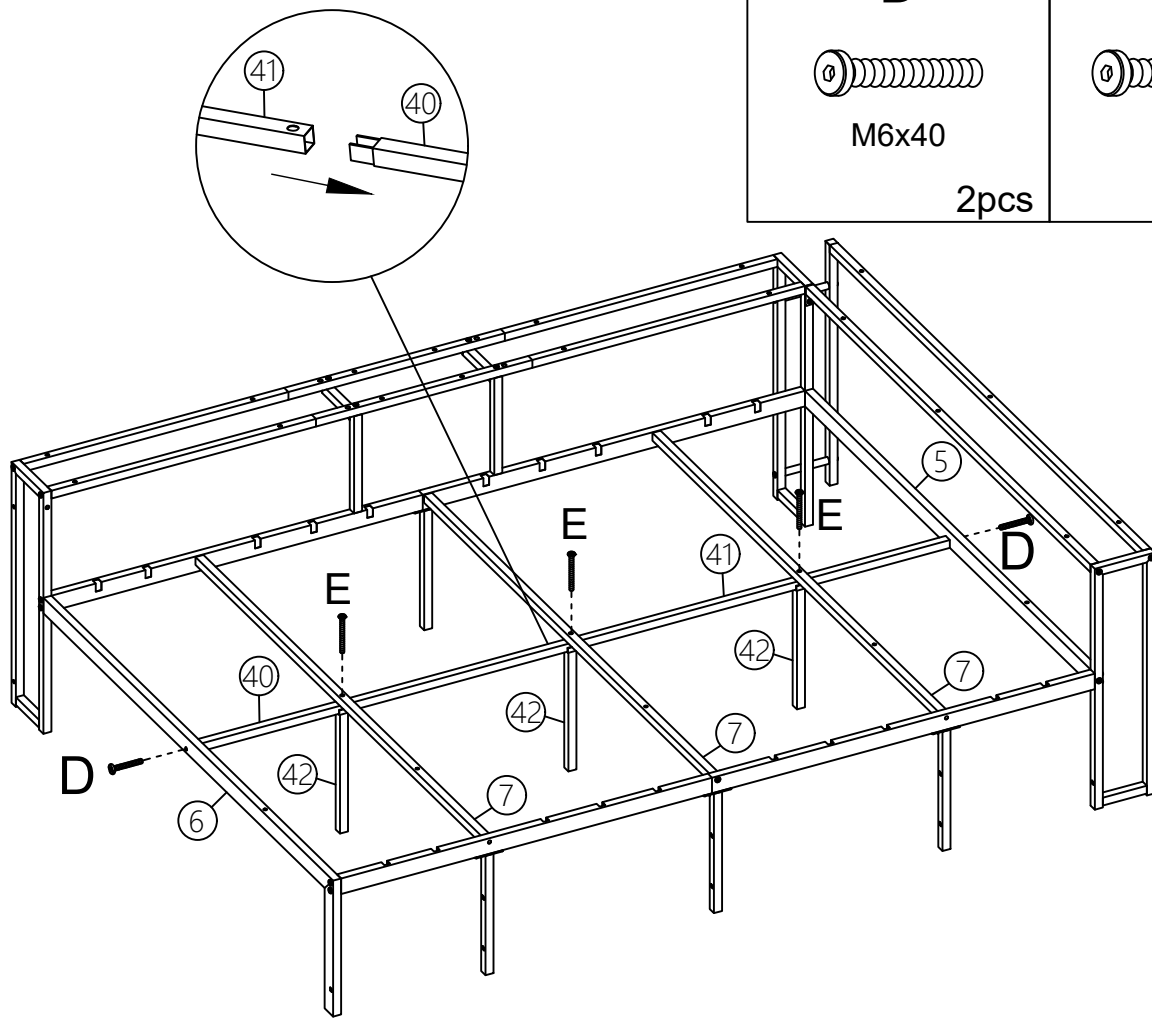


M6x12

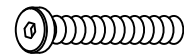
3pcs



### Step 13



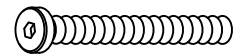
D



M6x40

2pcs

E

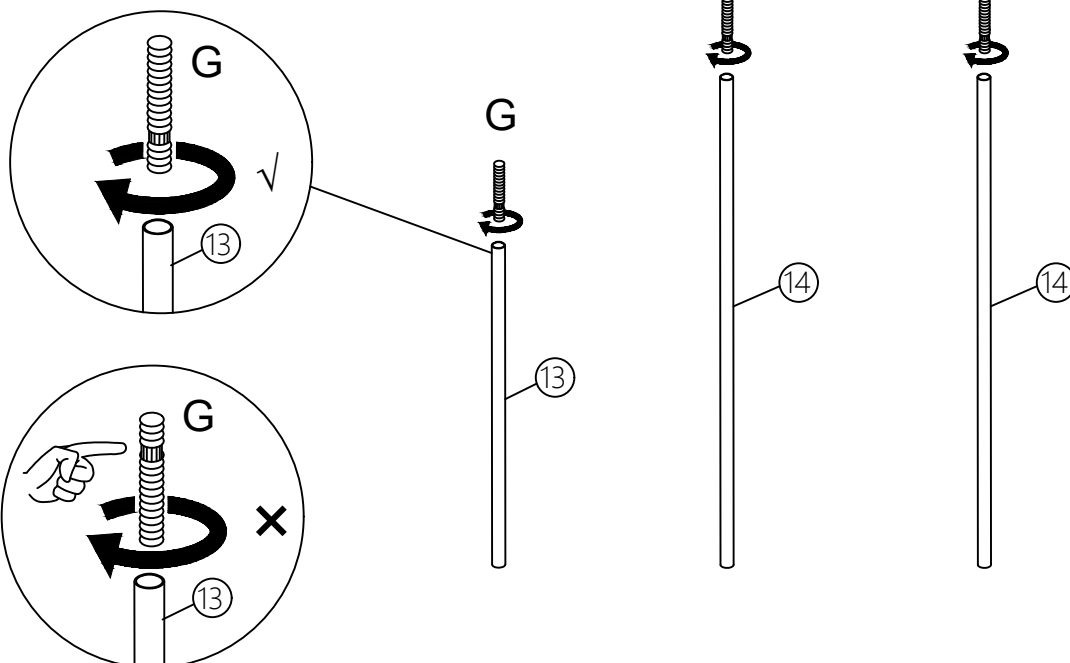


M6x60

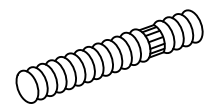
3pcs



### Step 14

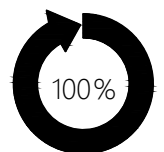


G



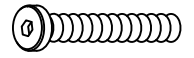
M6x50

3pcs



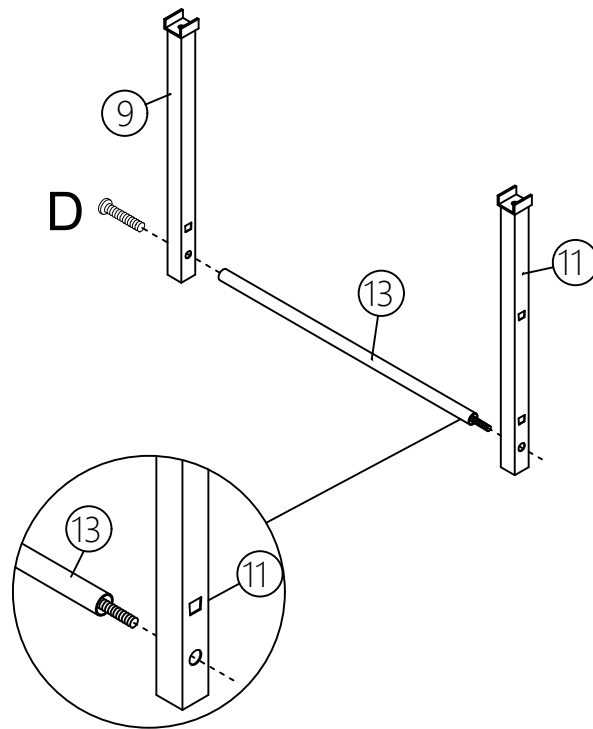
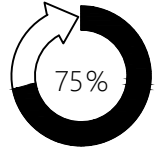
# Step 15

D

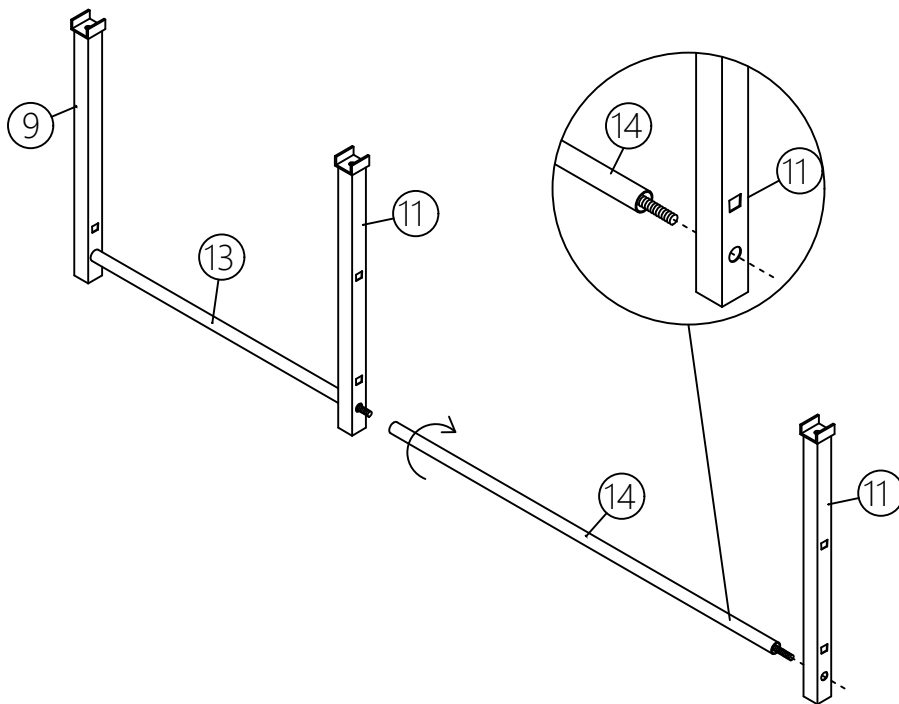
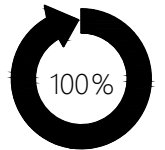


M6x40

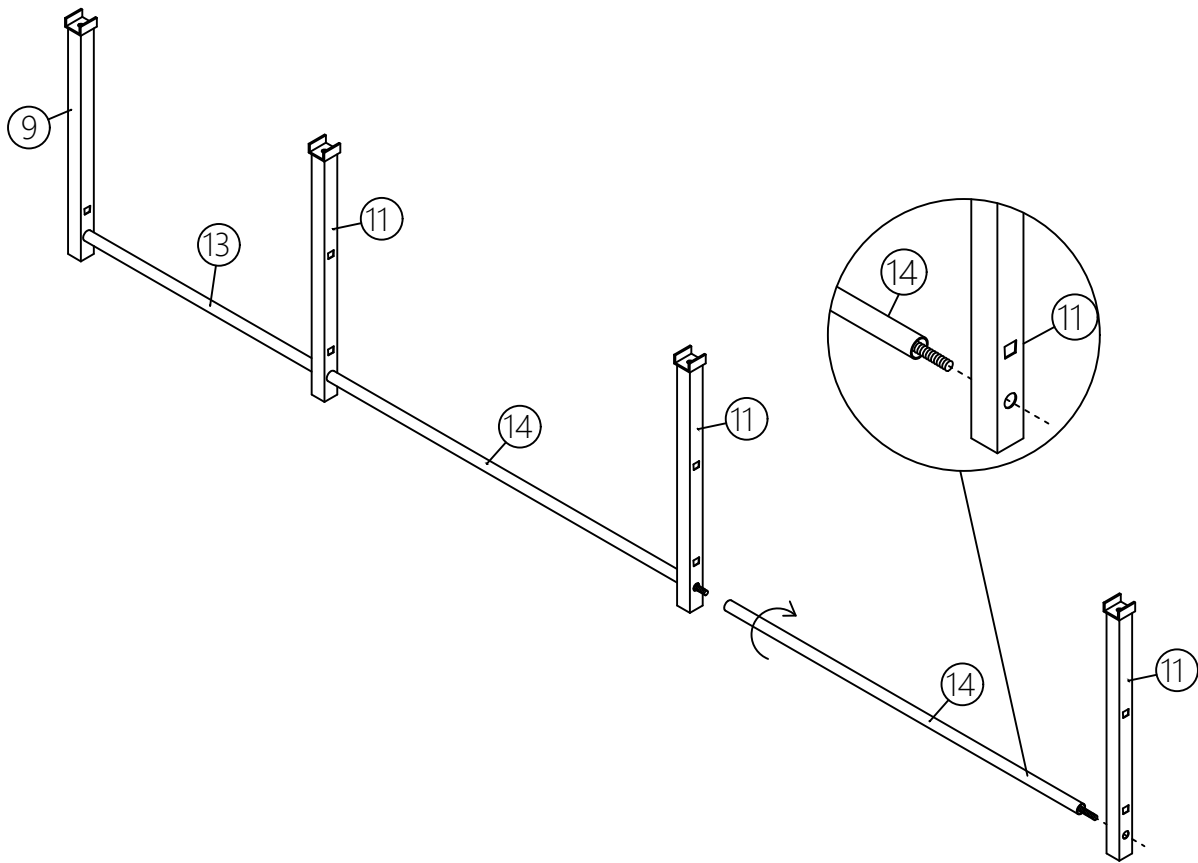
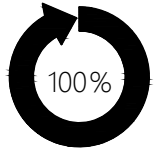
1pc



# Step 16



# Step 17

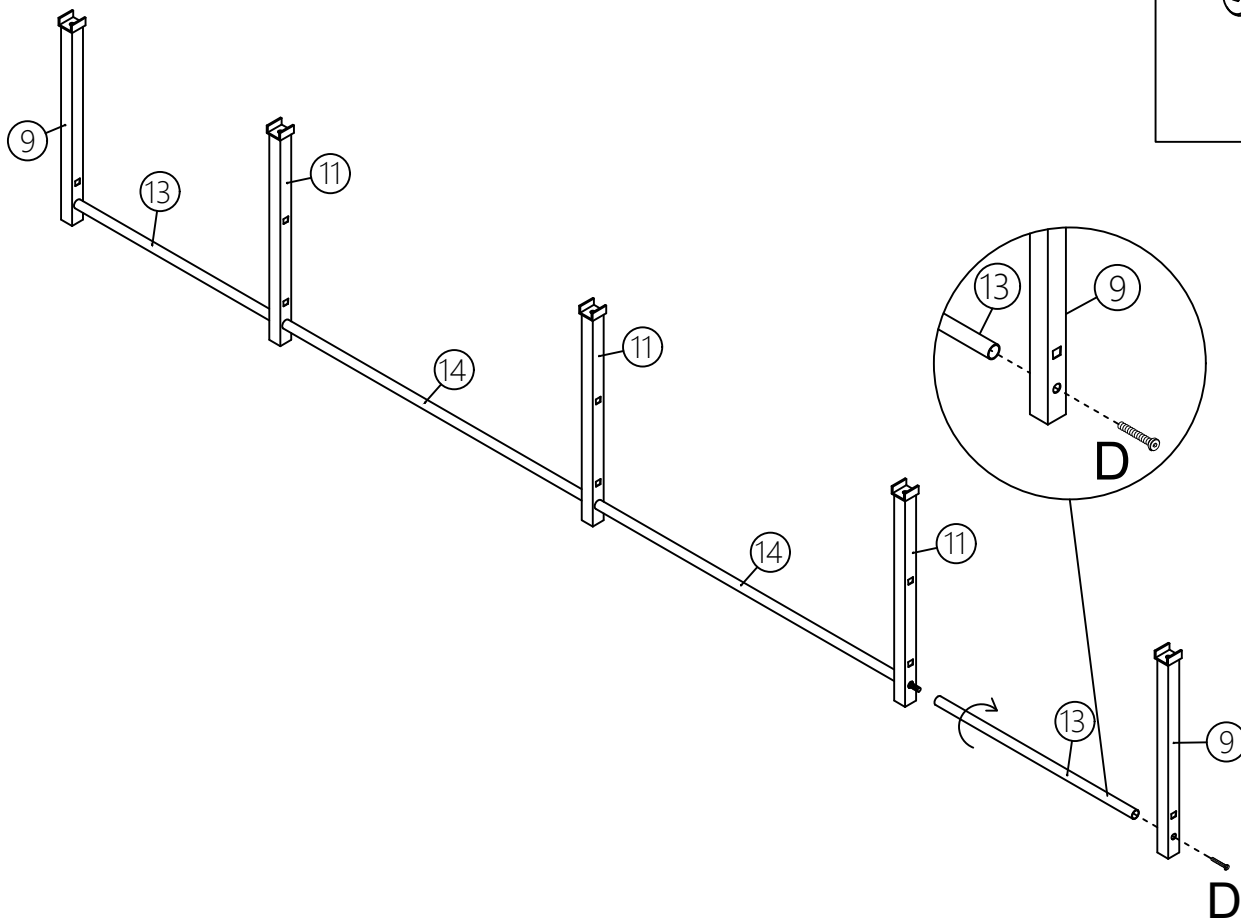
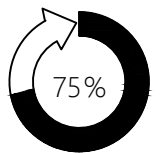


# Step 18

**D**

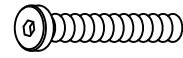
M6x40

1pc



# Step 19

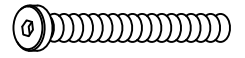
D



M6x40

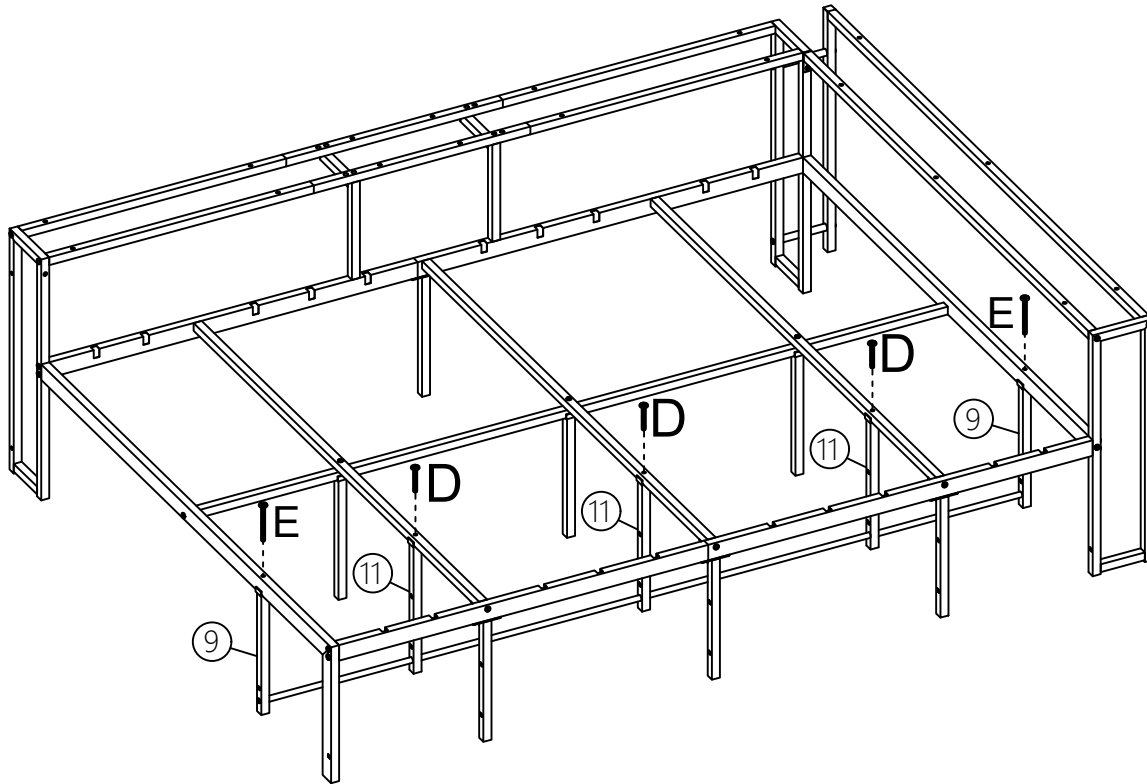
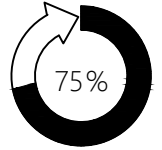
3pcs

E



M6x60

2pcs

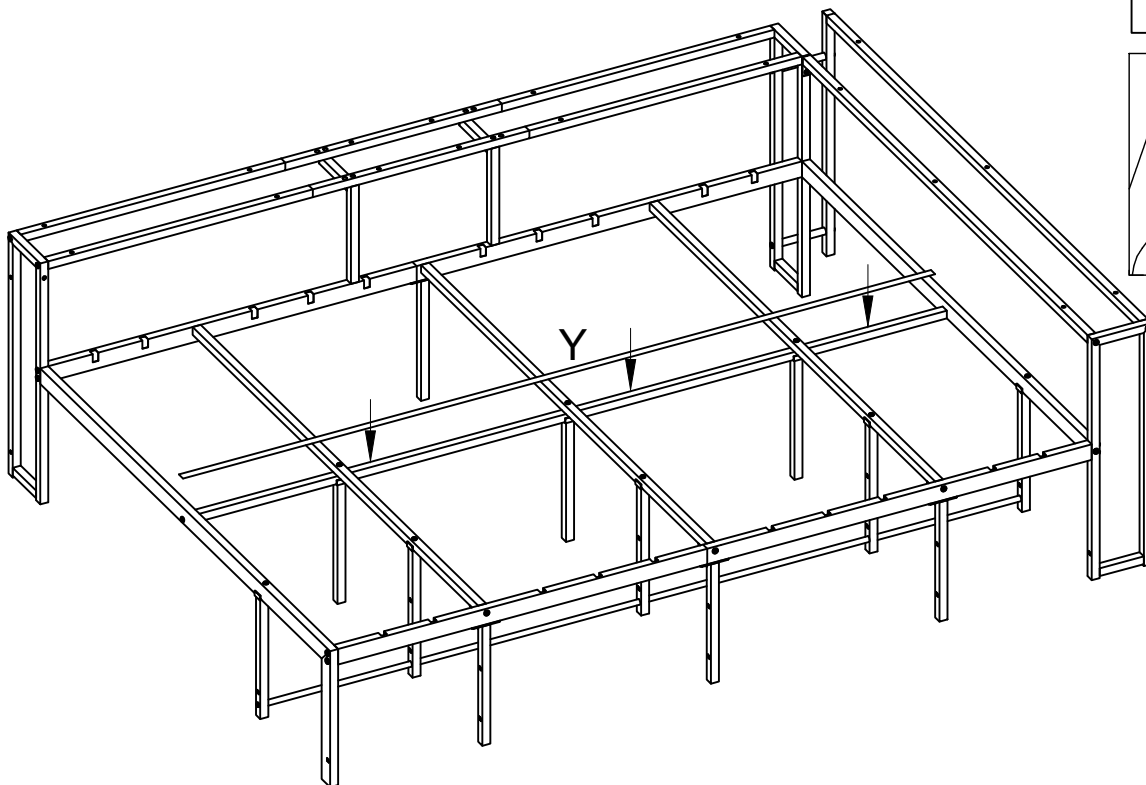
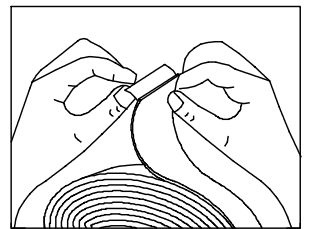


# Step 20

Y

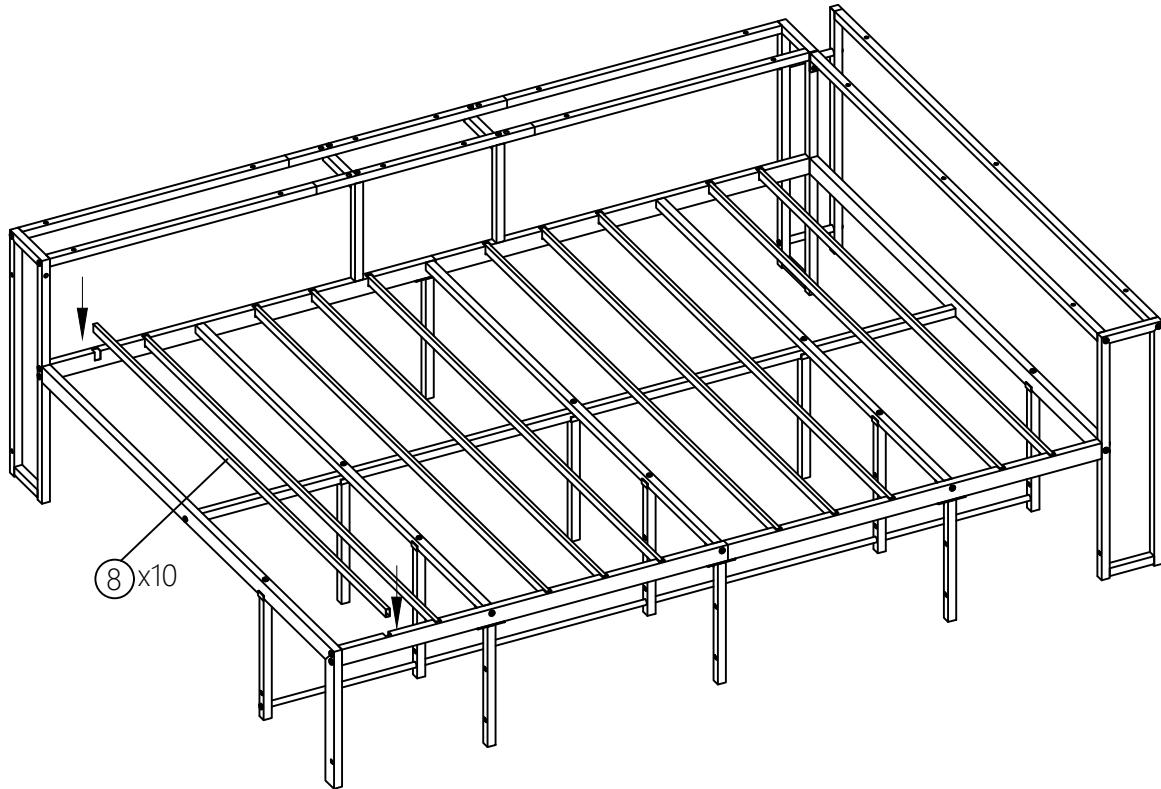
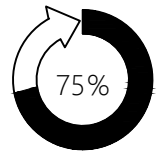


1pc

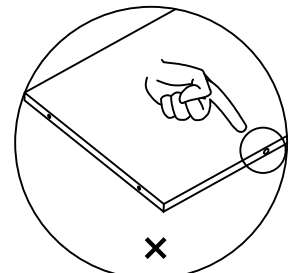
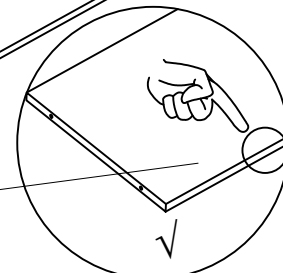
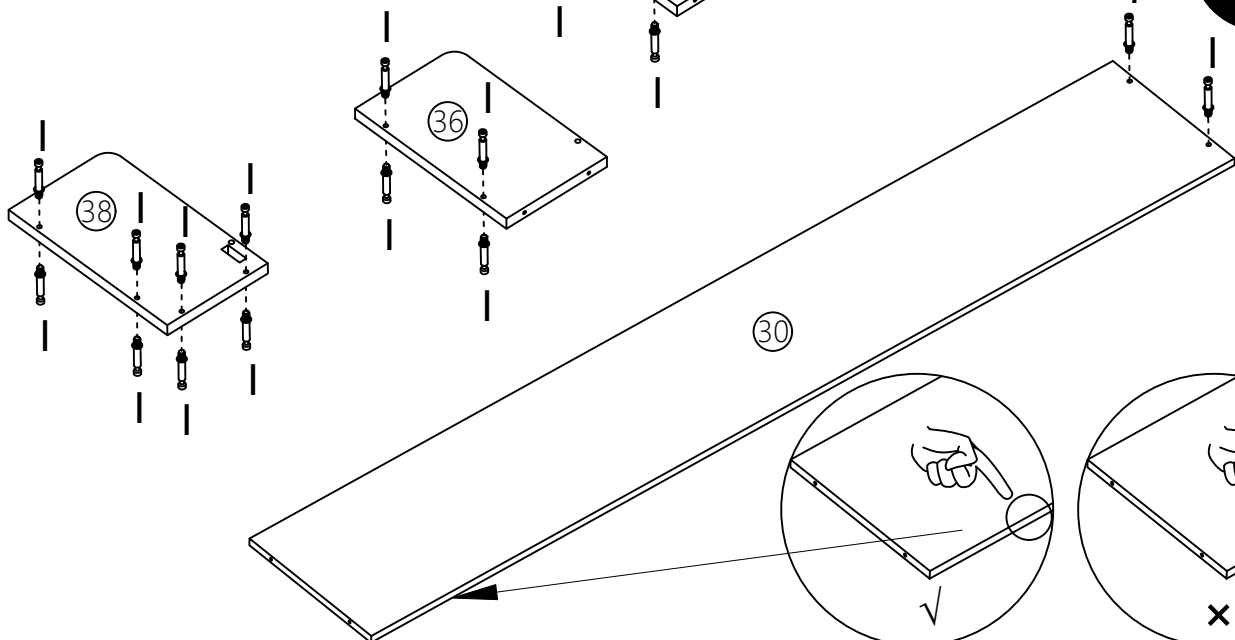
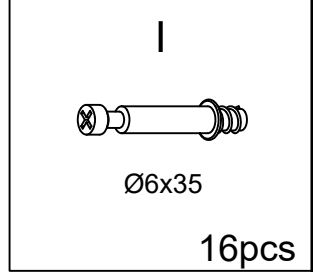
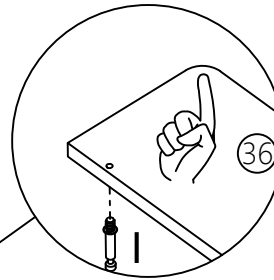
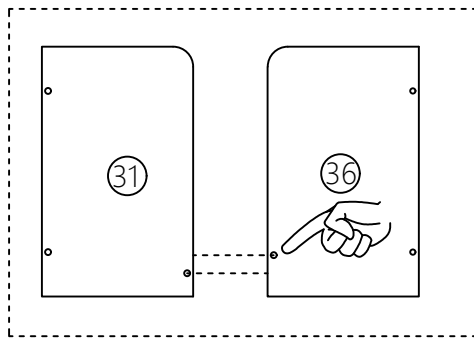


# Step 21

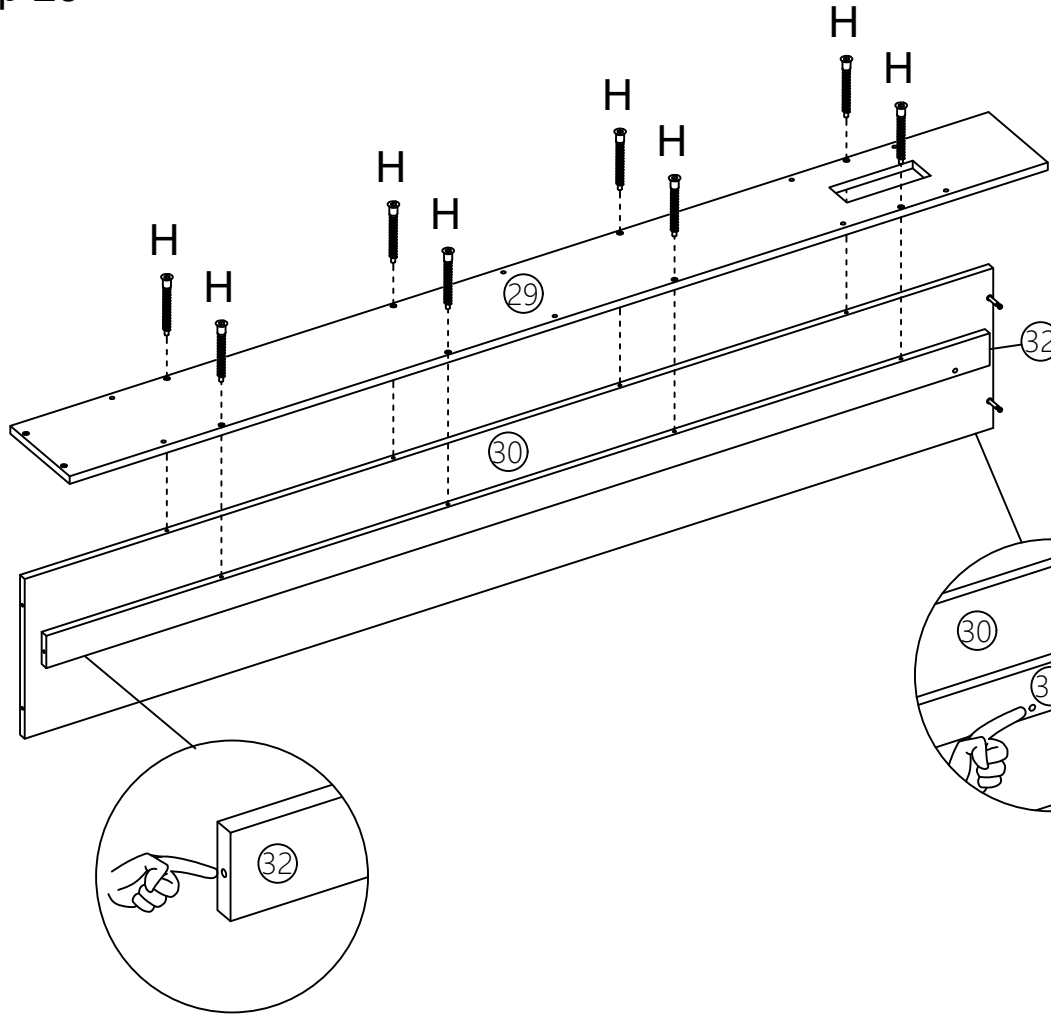
## Tighten all screws



# Step 22



### Step 23

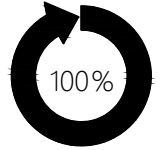


H

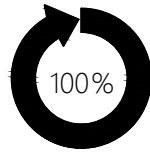
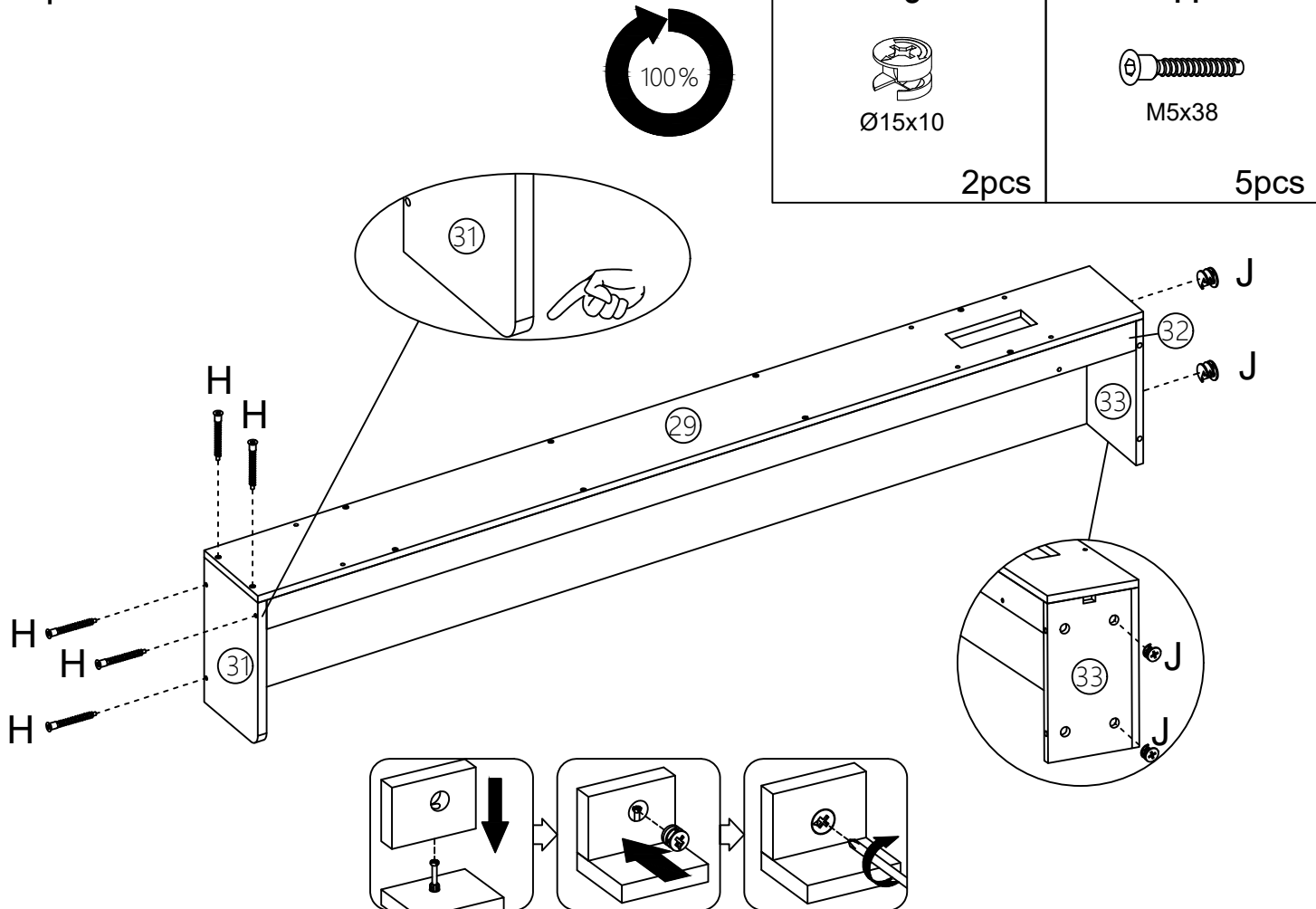


M5x38

8pcs



### Step 24



J



Ø15x10

2pcs

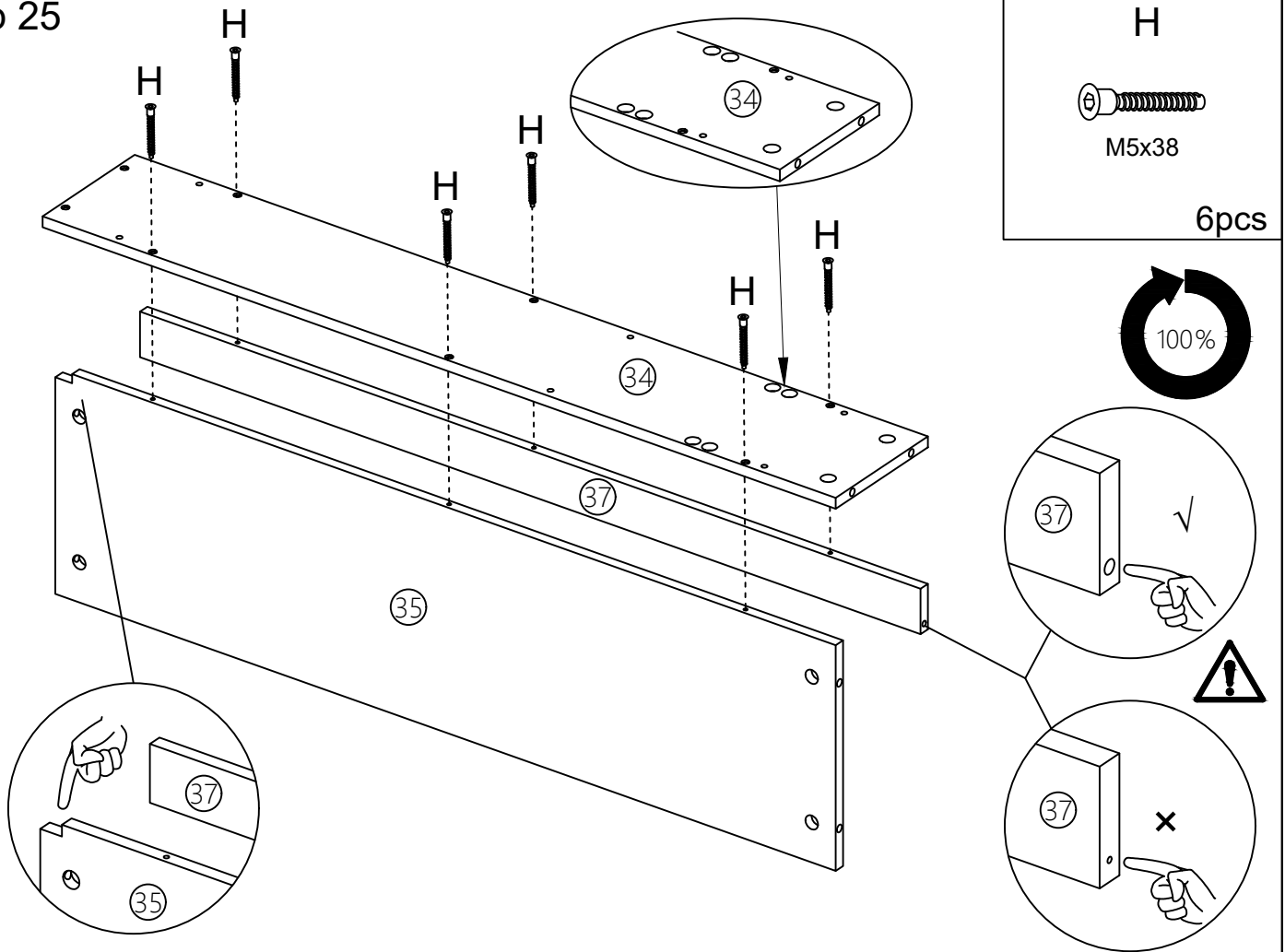
H



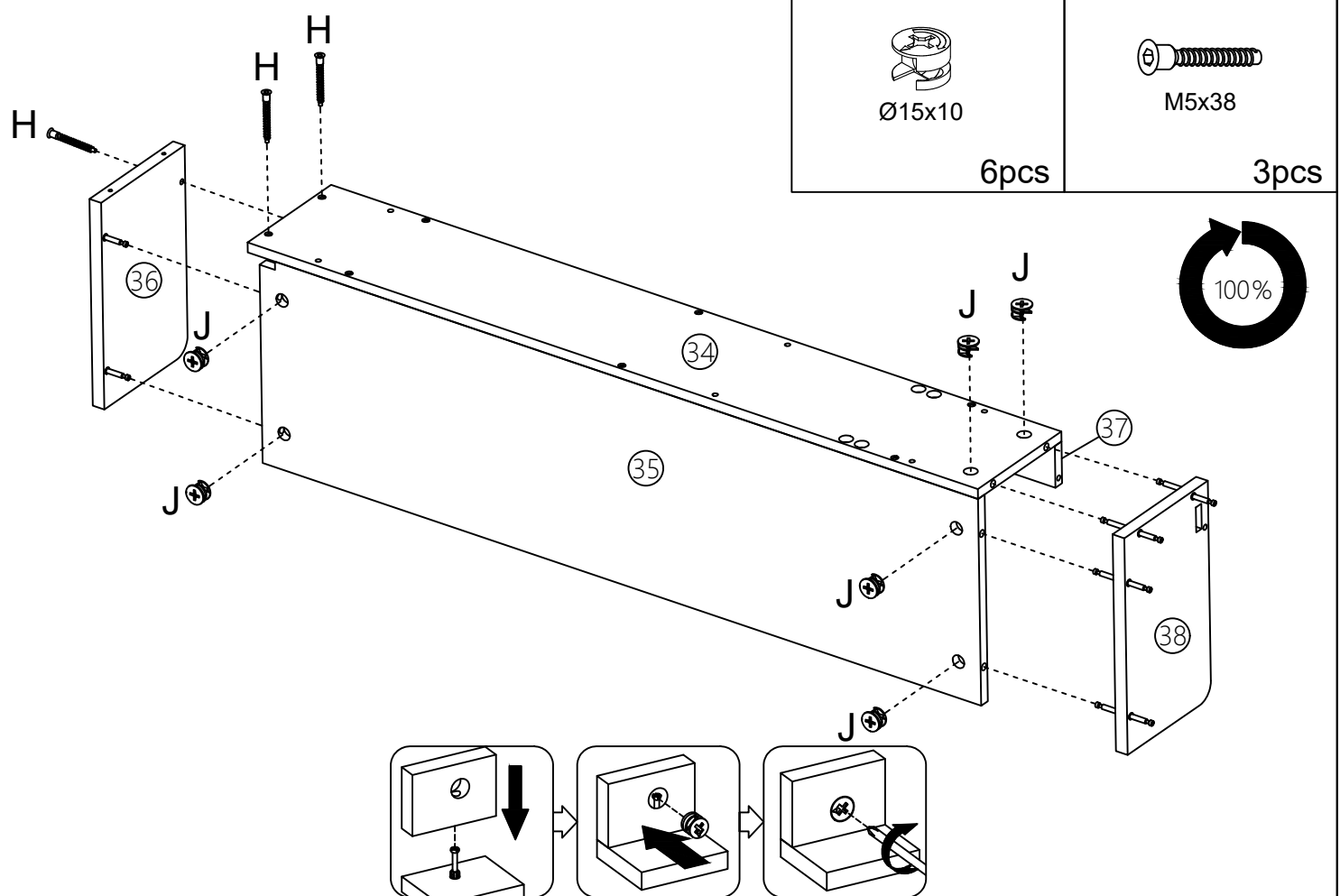
M5x38

5pcs

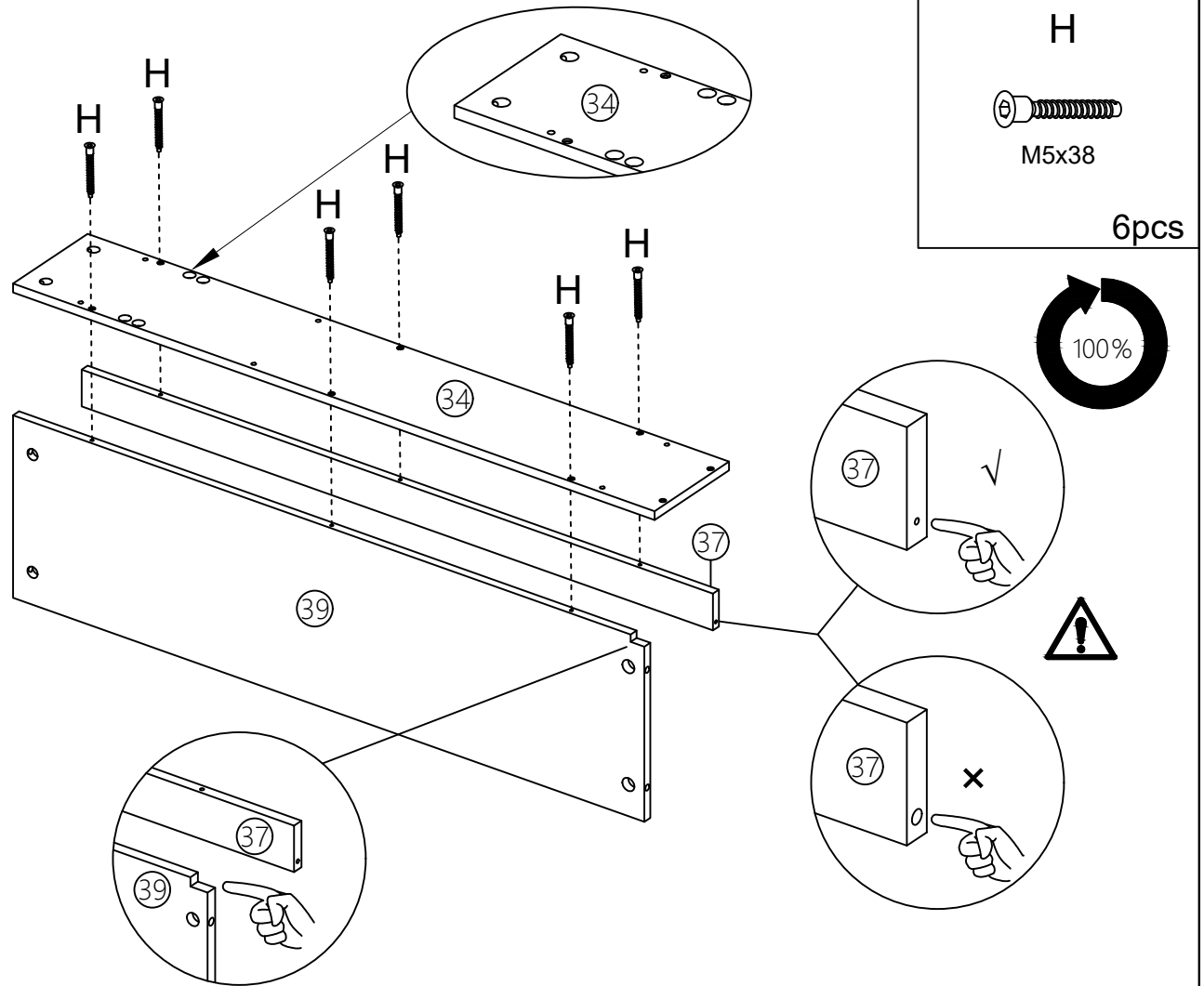
### Step 25



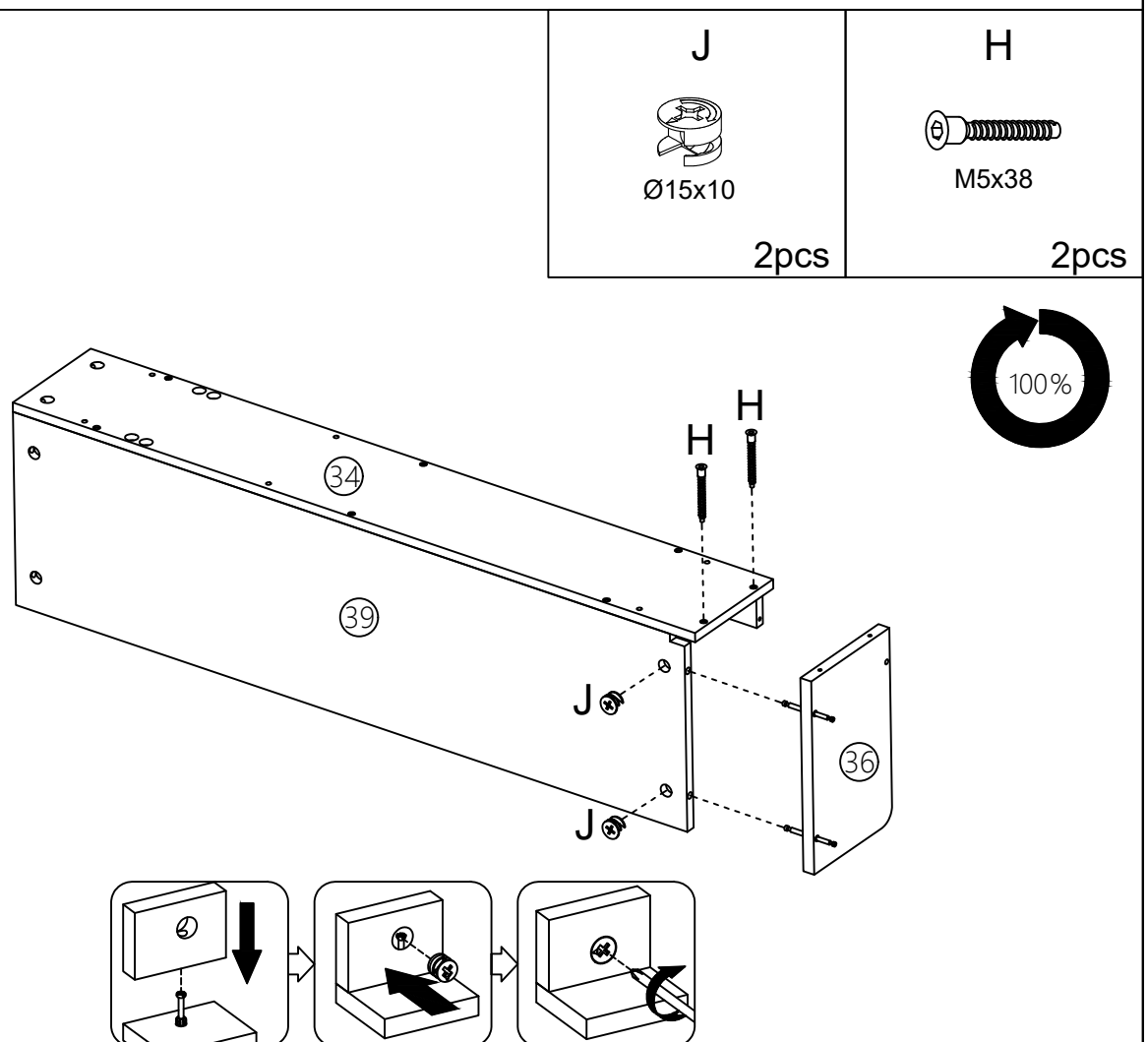
### Step 26



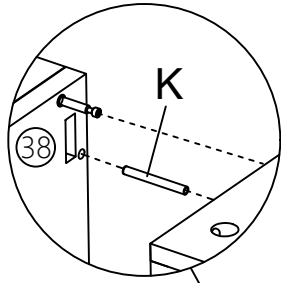
# Step 27



# Step 28



### Step 29



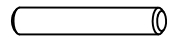
J



Ø15x10

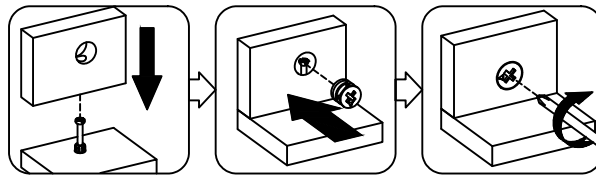
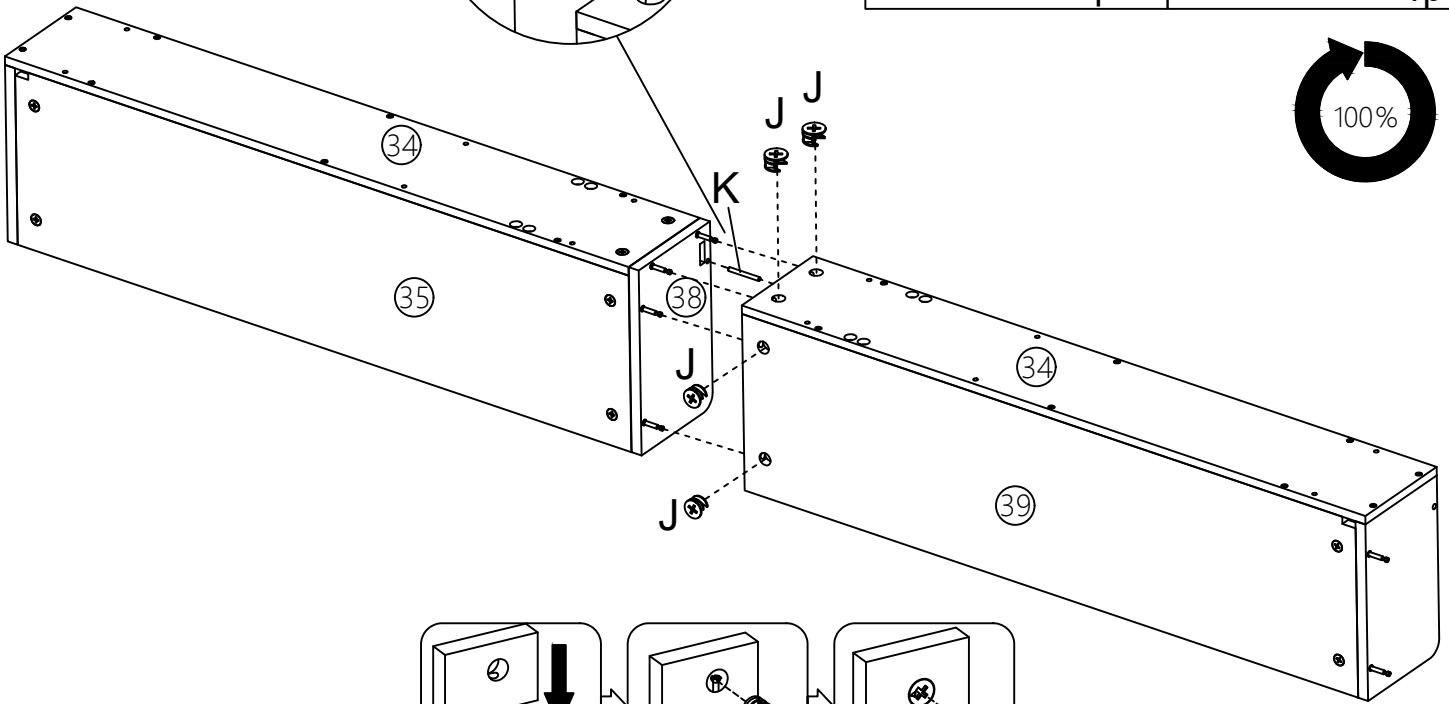
4pcs

K



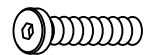
Ø6x60

1pc



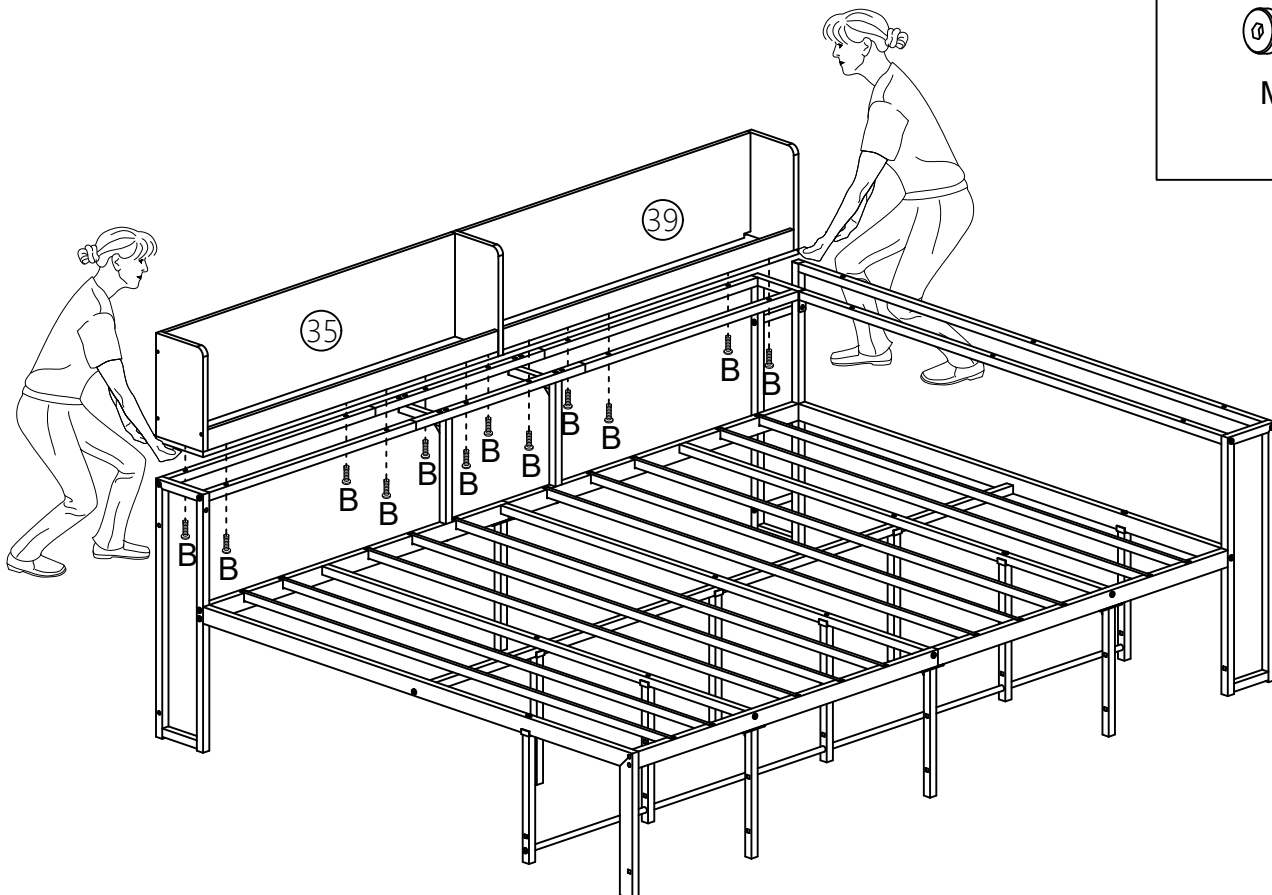
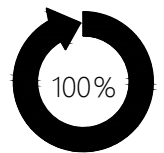
### Step 30

B



M6x28

12pcs



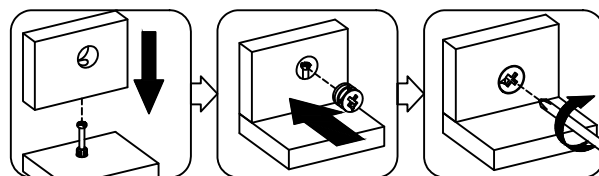
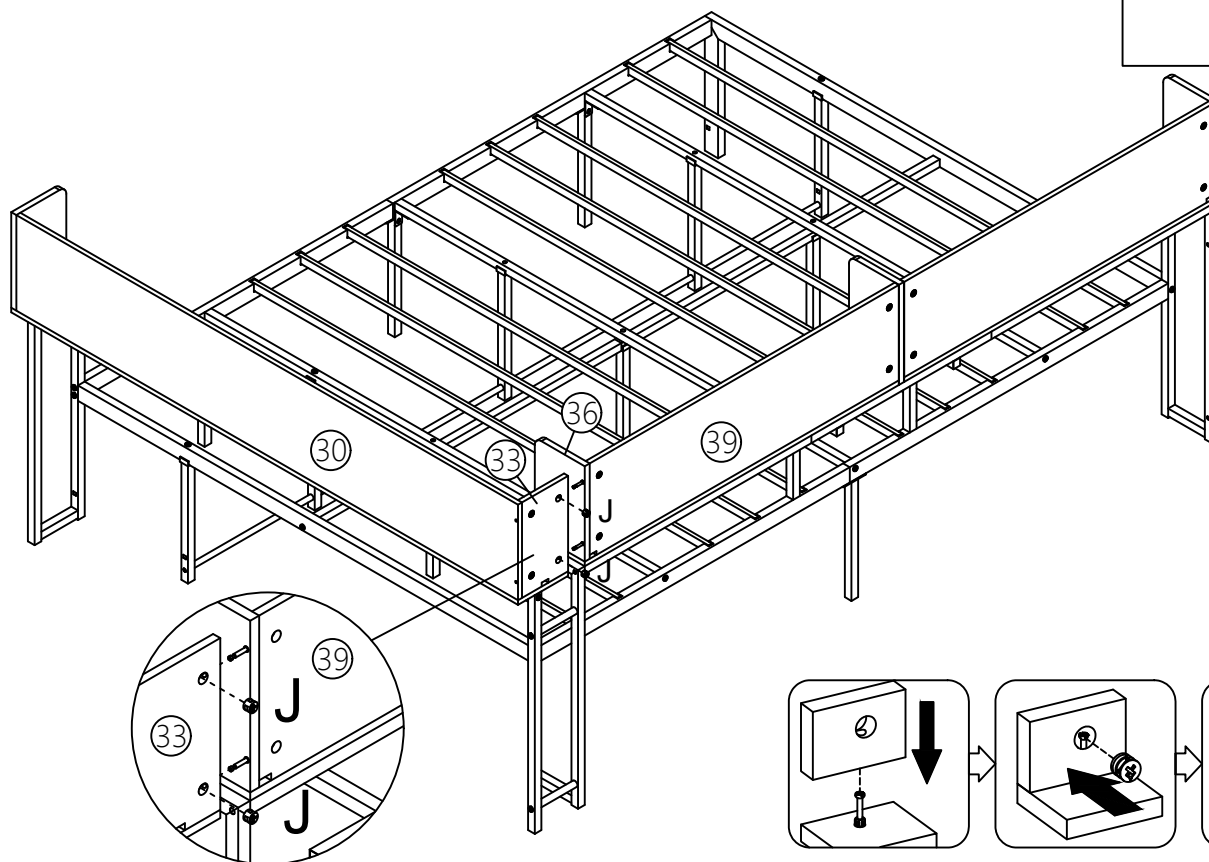
### Step 31

J

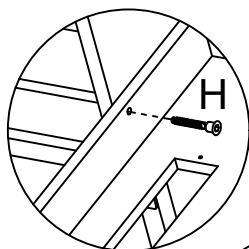


Ø15x10

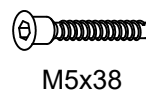
2pcs



### Step 32



H



M5x38

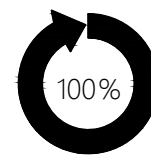
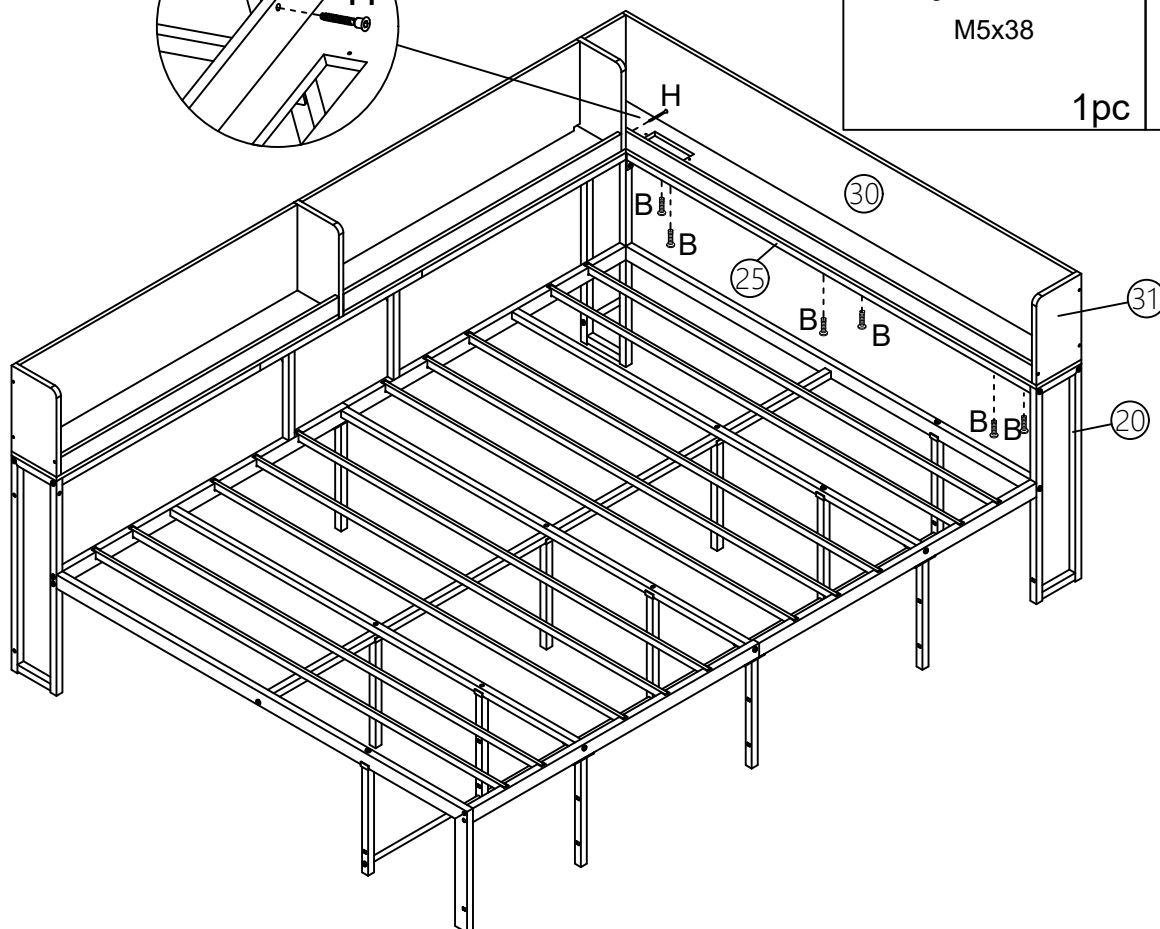
1pc

B

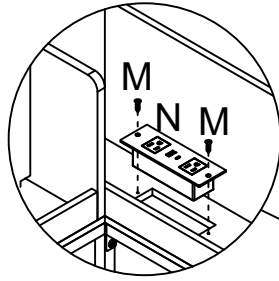


M6x28

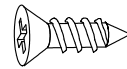
6pcs



### Step 33



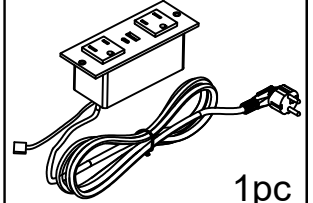
M



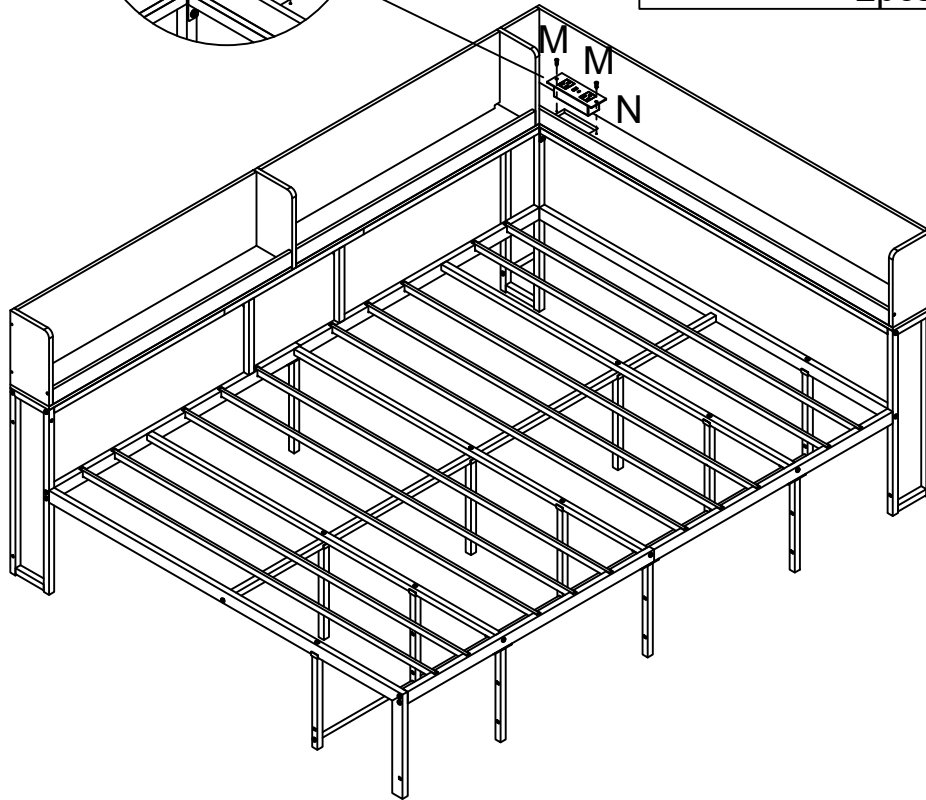
Ø3.5x12

2pcs

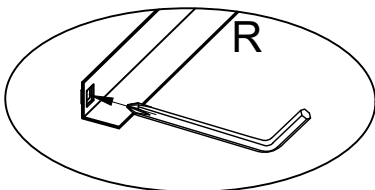
N



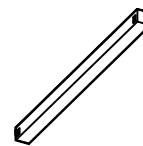
1pc



### Step 34

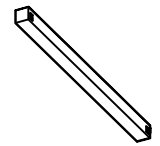


R

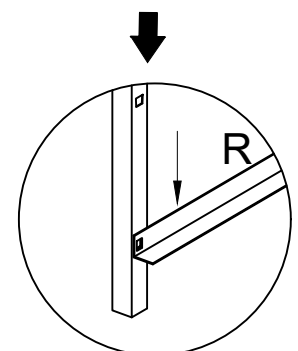
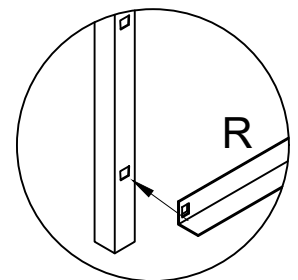
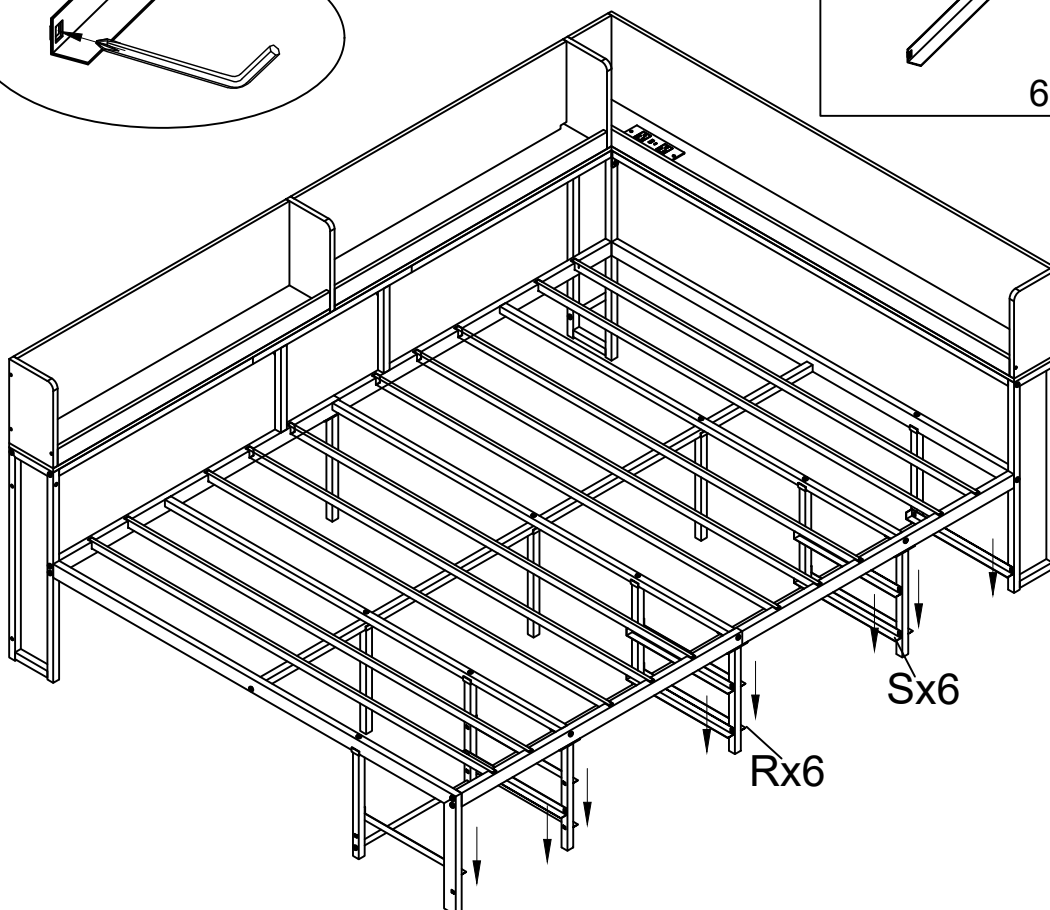


6pcs

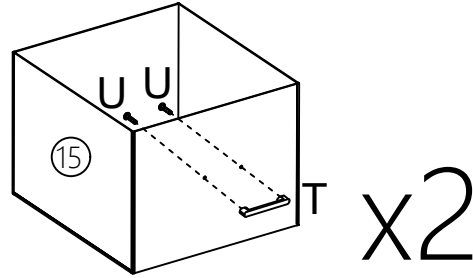
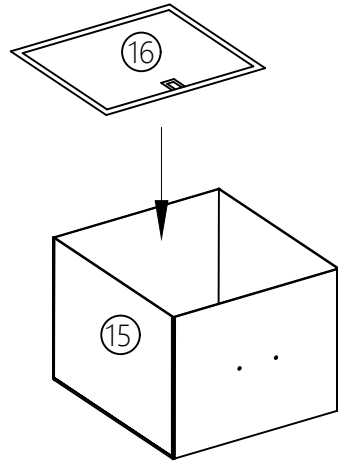
S

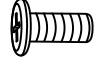


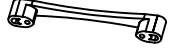
6pcs

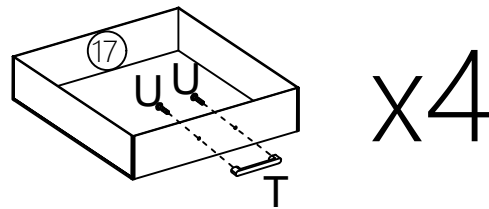
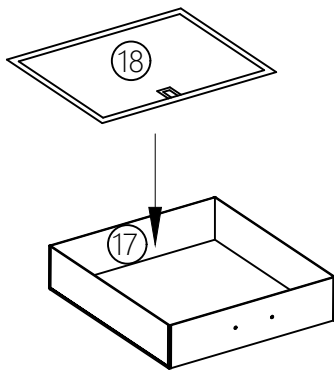
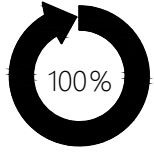


# Step 35

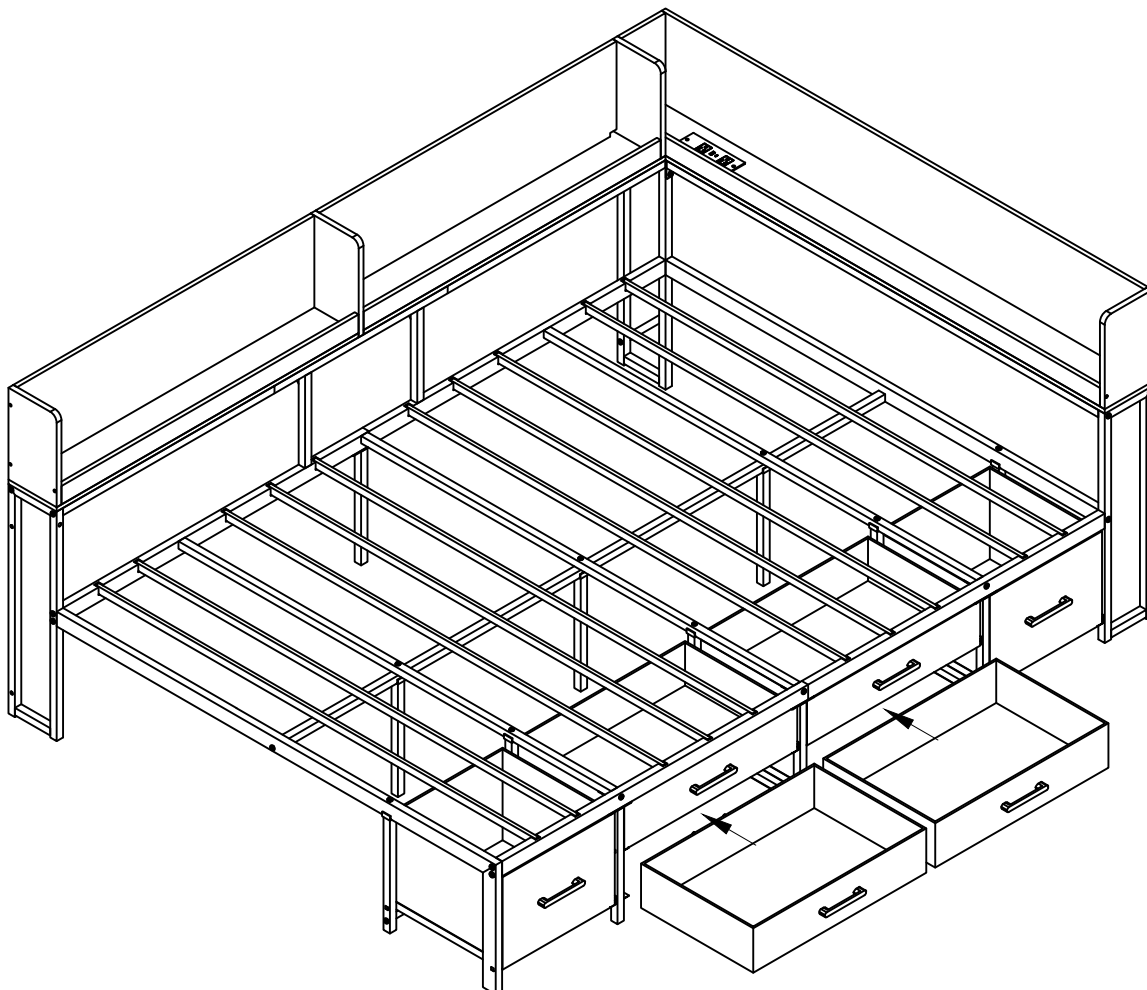


**U**  
  
M4x10  
12pcs

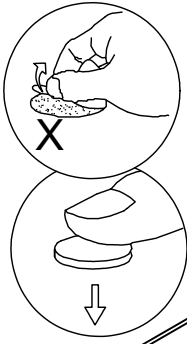
**T**  
  
6pcs



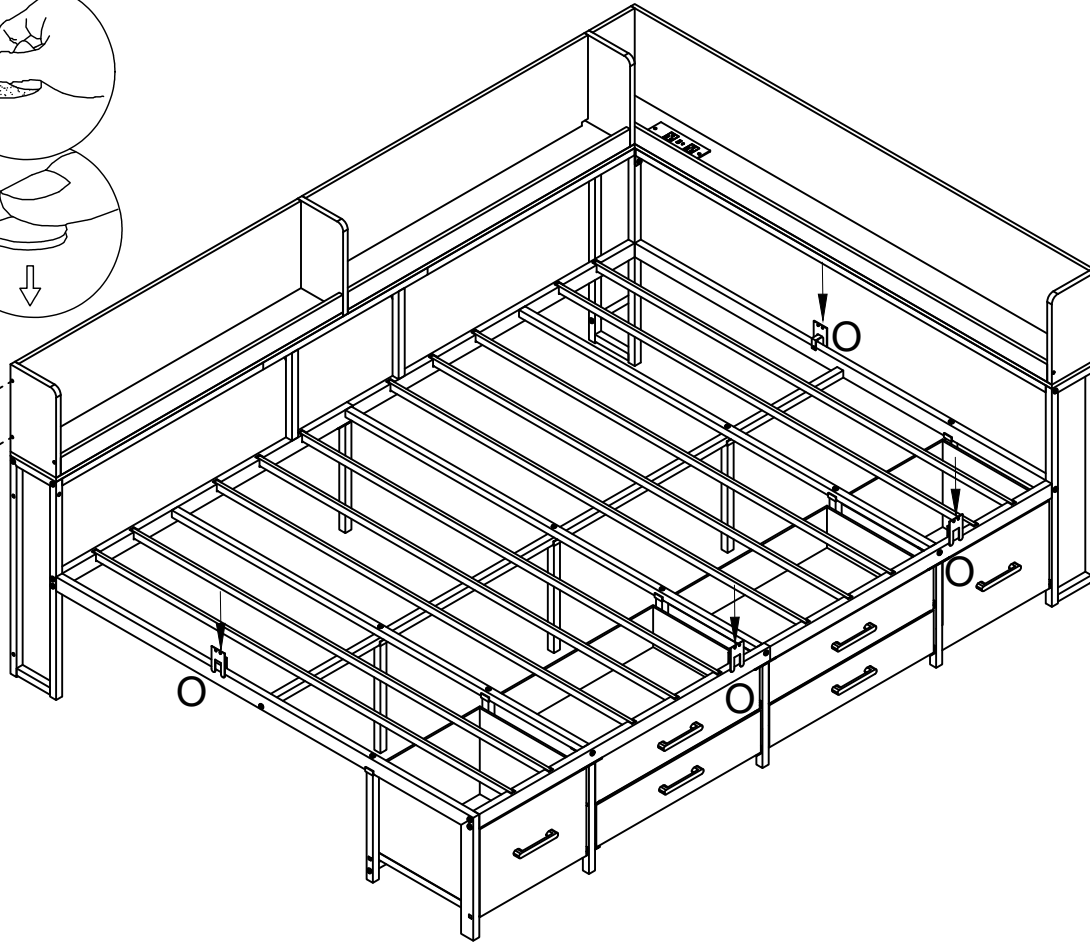
# Step 36



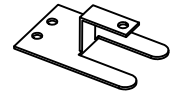
### Step 37



X  
X



O



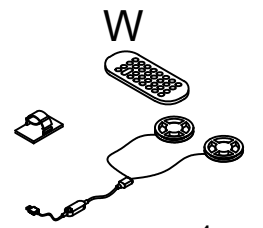
4pcs

X



2pcs

### Step 38



1pc

