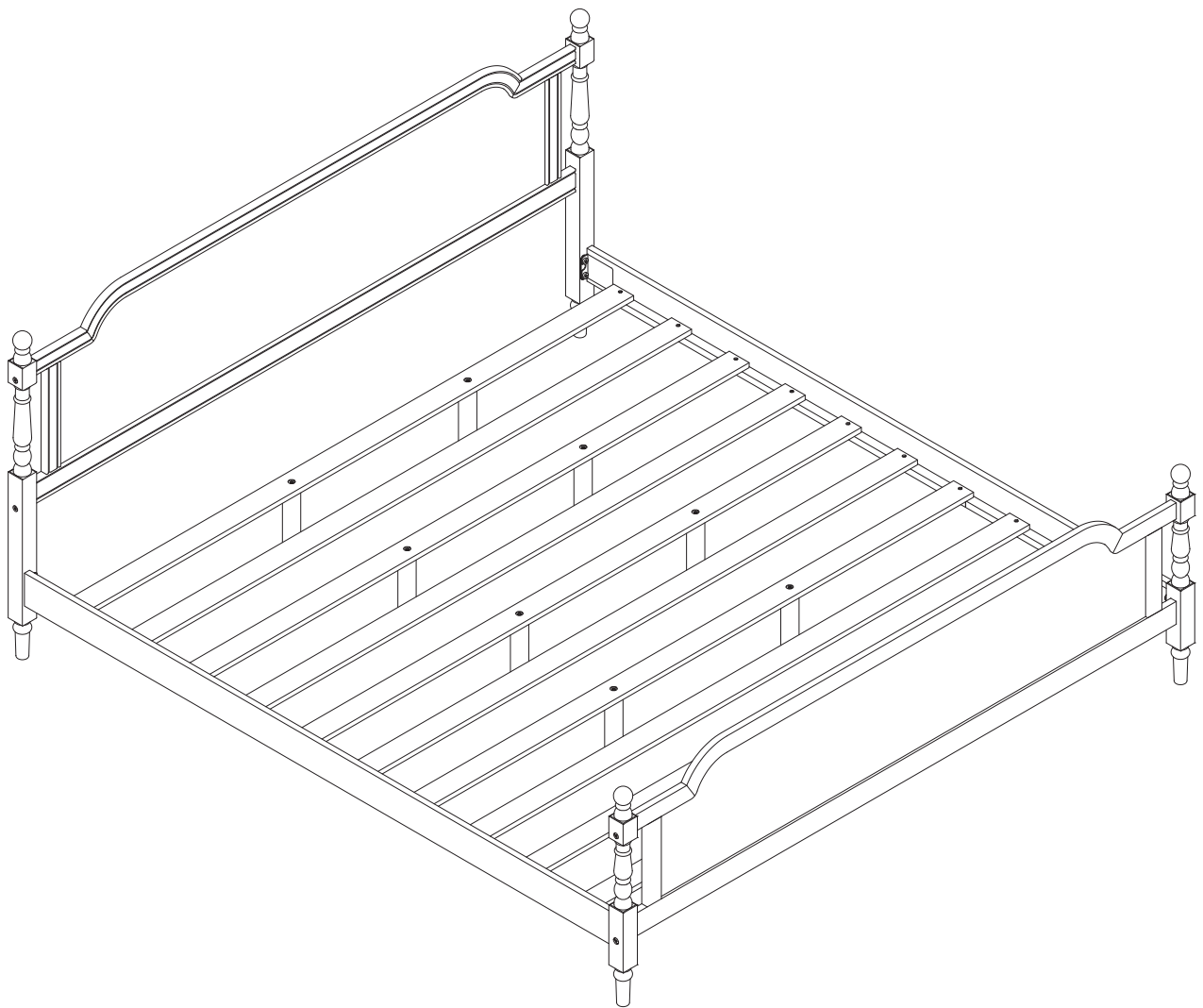
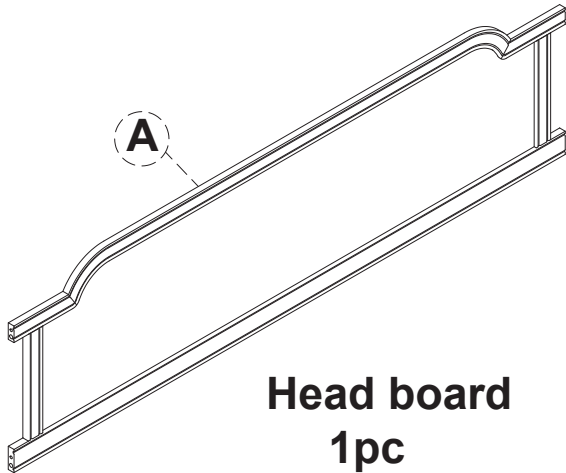


ASSEMBLY INSTRUCTION

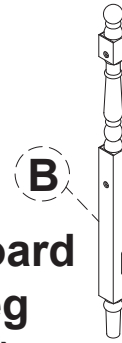
RATTAN QUEEN/ KING BED



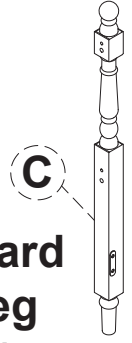
Part List



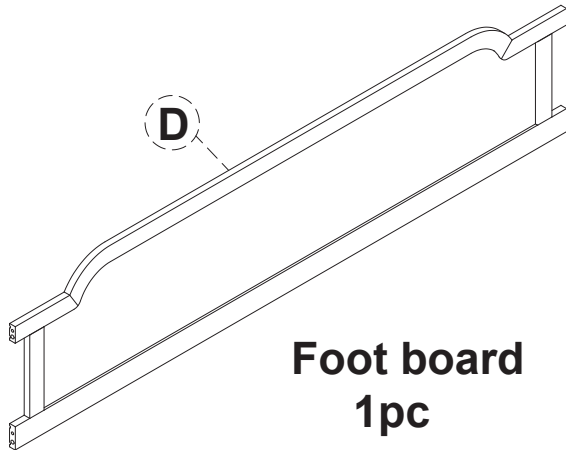
**Head board
1pc**



**Headboard
Left leg
(1pc)**



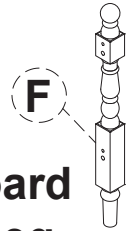
**Headboard
Right leg
(1pc)**



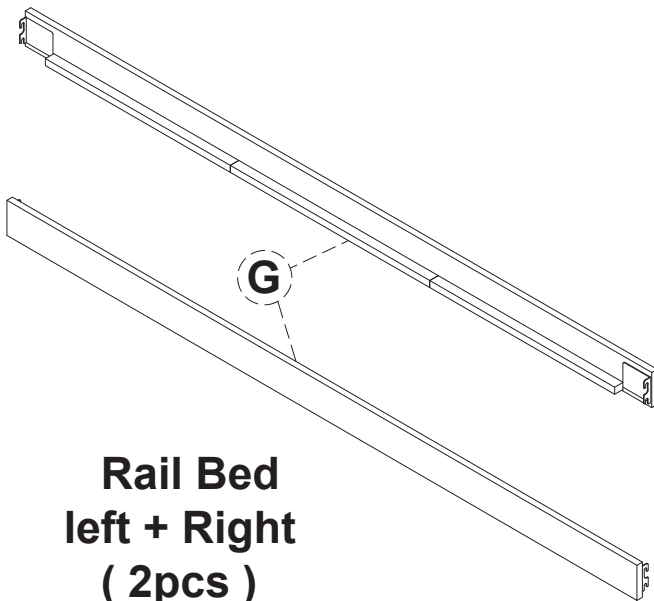
**Foot board
1pc**



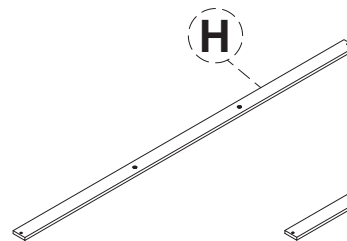
**Footboard
Left leg
(1pc)**



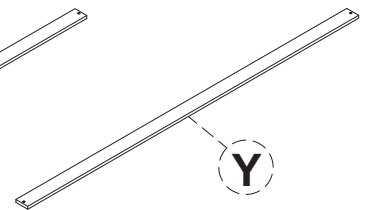
**Footboard
Right leg
(1pc)**



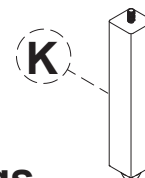
**Rail Bed
left + Right
(2pcs)**



**Slats - H
(5pcs)**



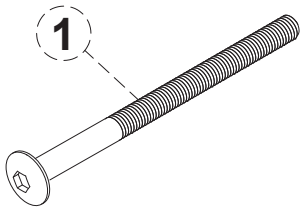
**Slats Y
(5pcs)**



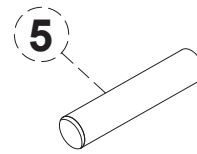
**Legs
(10pcs)**

Hardware List

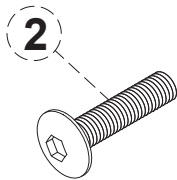
Box 2



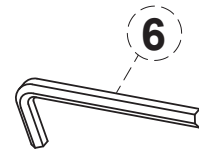
Allen Head Bolts and **Foot board**
(Head of bolts are 13mm)
(M6 x 80mm = 8pcs)



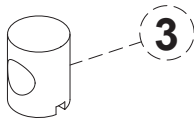
Wood dowel Ø10 x 40mm
(= 8pcs)



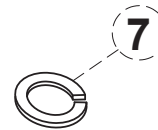
Allen **Rail Bolt**
(Head of bolts are 15 mm)
(M8 x 15mm = 8pcs)



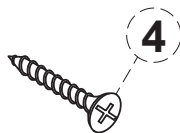
Allen wrenches
(= 1pc)



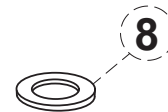
Cross dowels 9.5 x 13mm
(= 8pcs)



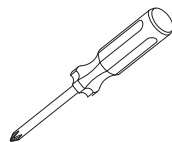
Lock Washers Ø11
(= 8pcs)



Wood Screws M4 x 30mm
(= **20pcs**)

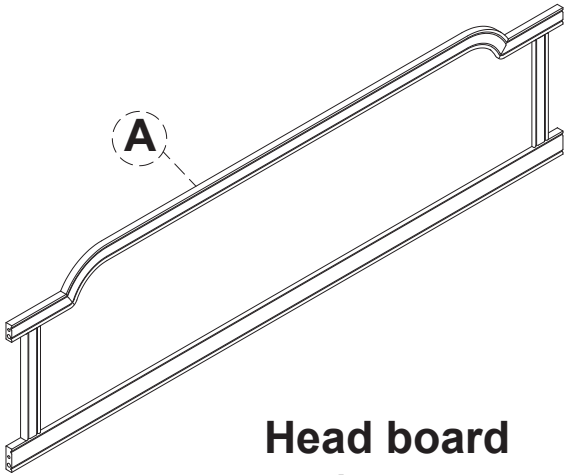


Washers Ø13
(= 8pcs)

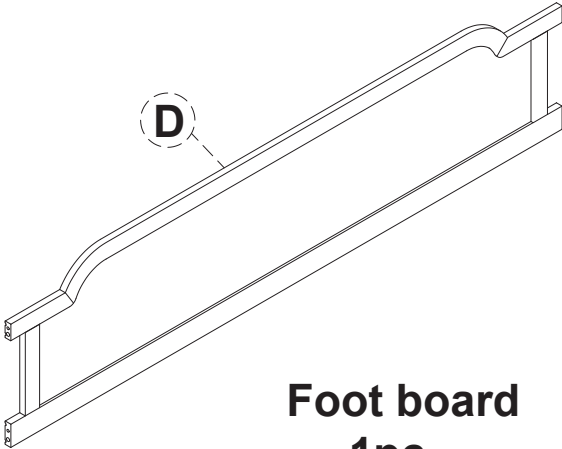


not included cross point screwdriver

Part List Box 1

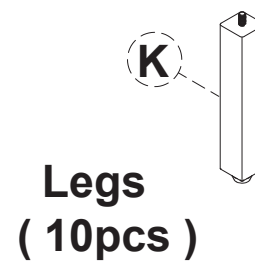
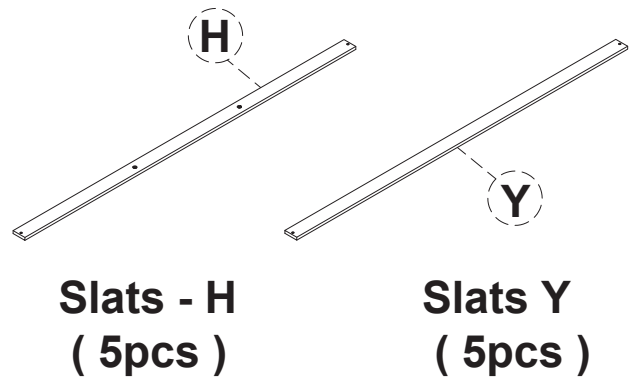
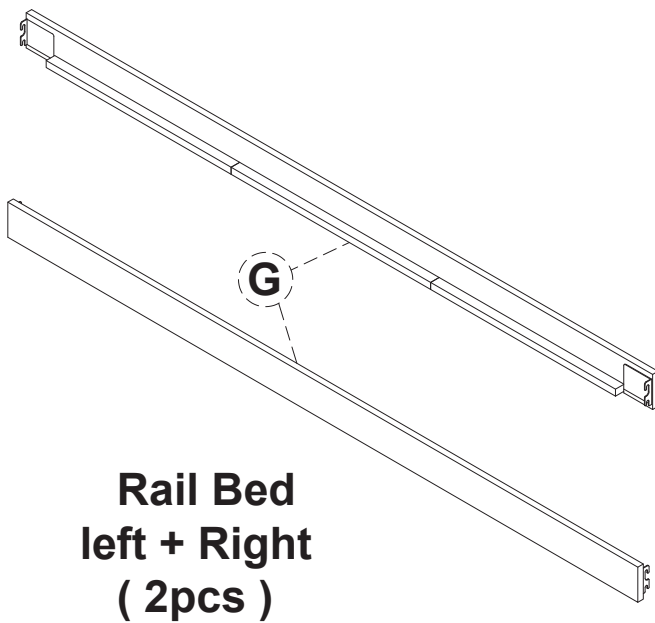
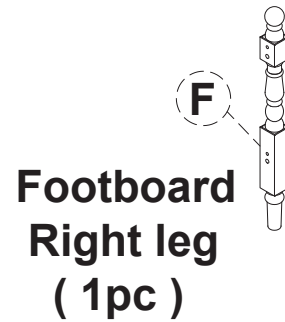
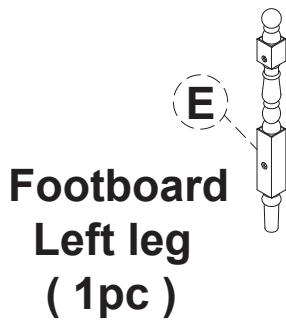
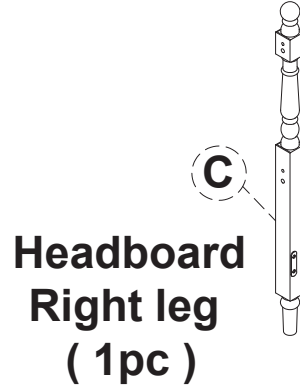
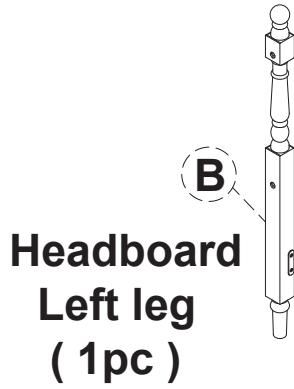


**Head board
1pc**

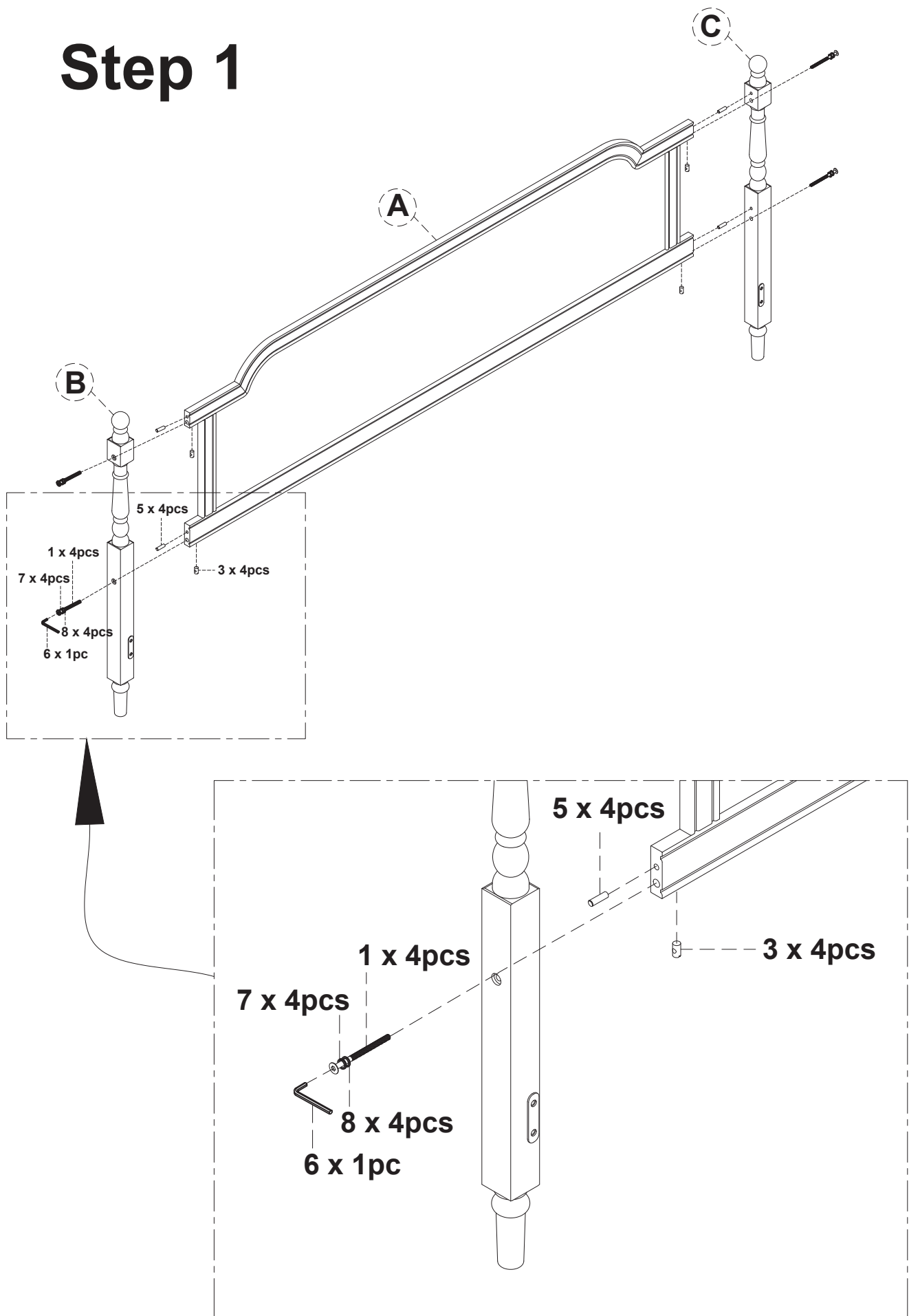


**Foot board
1pc**

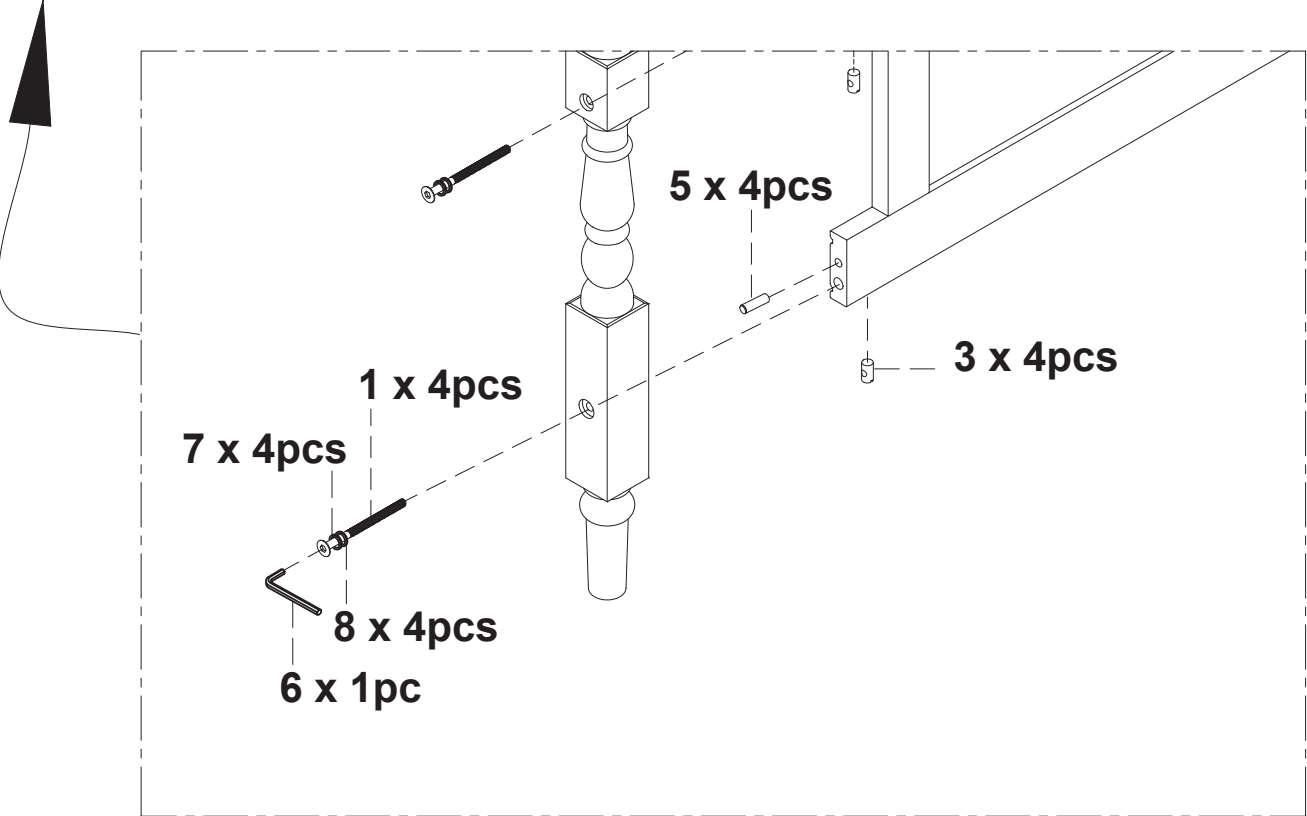
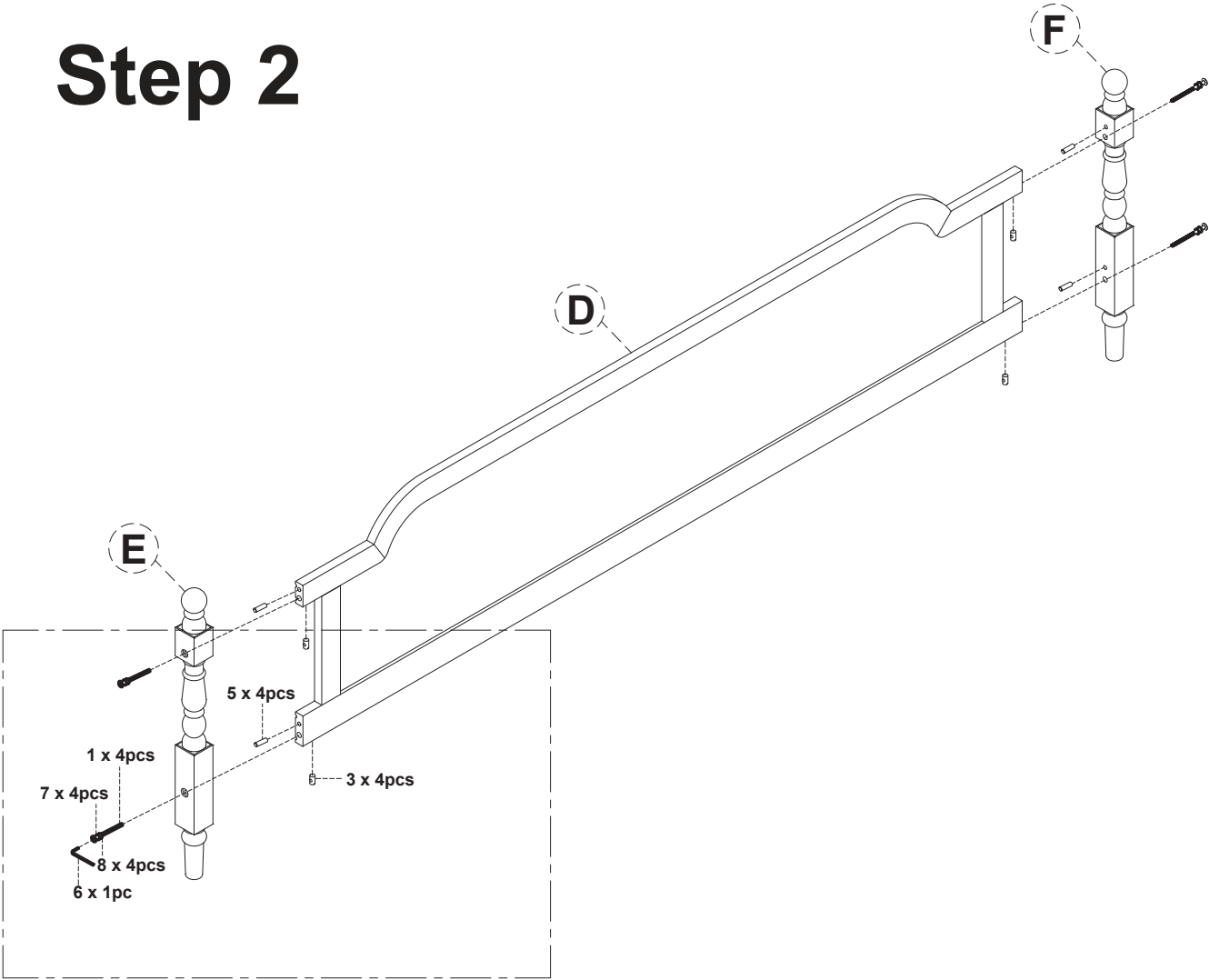
Part List Box 2



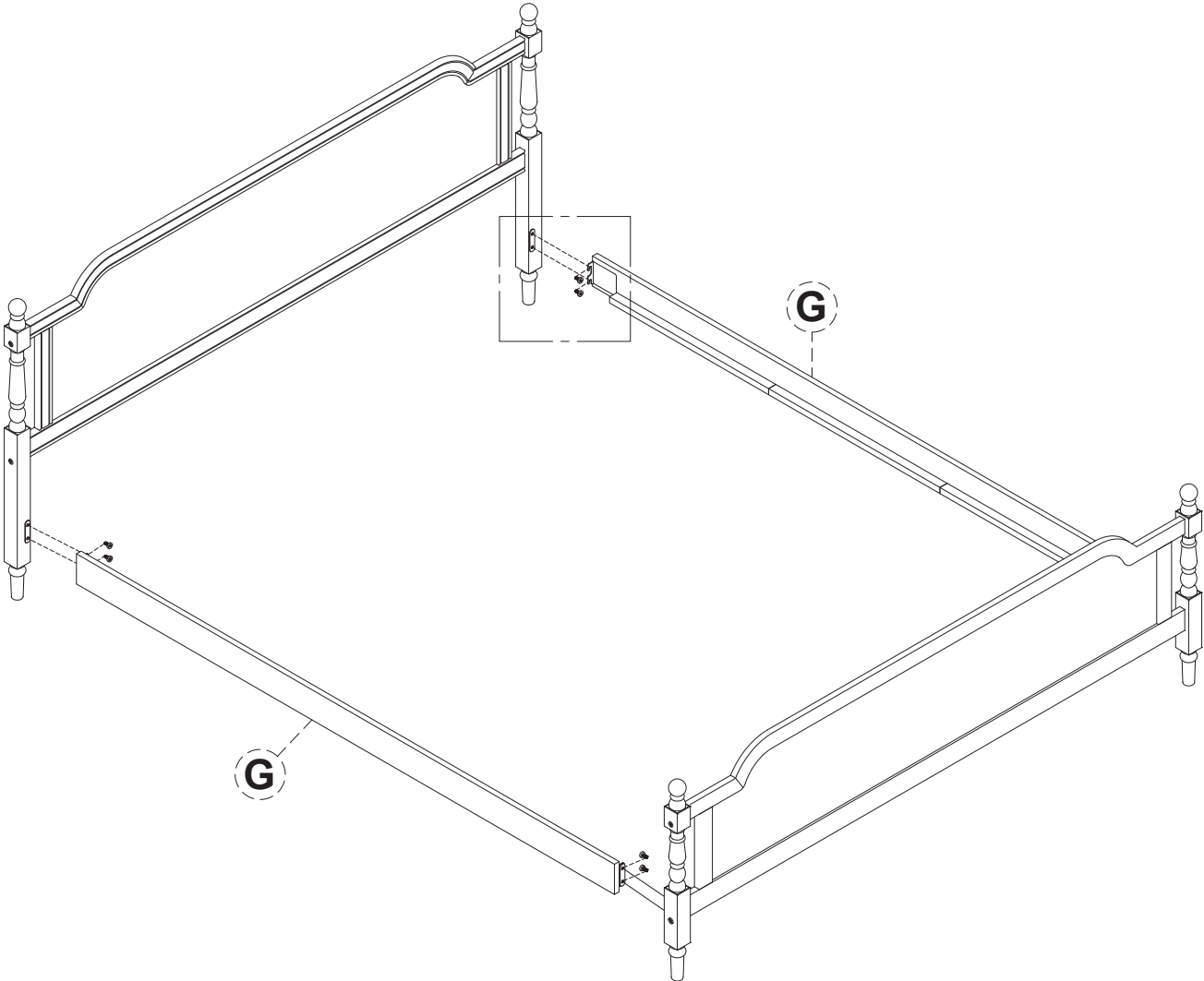
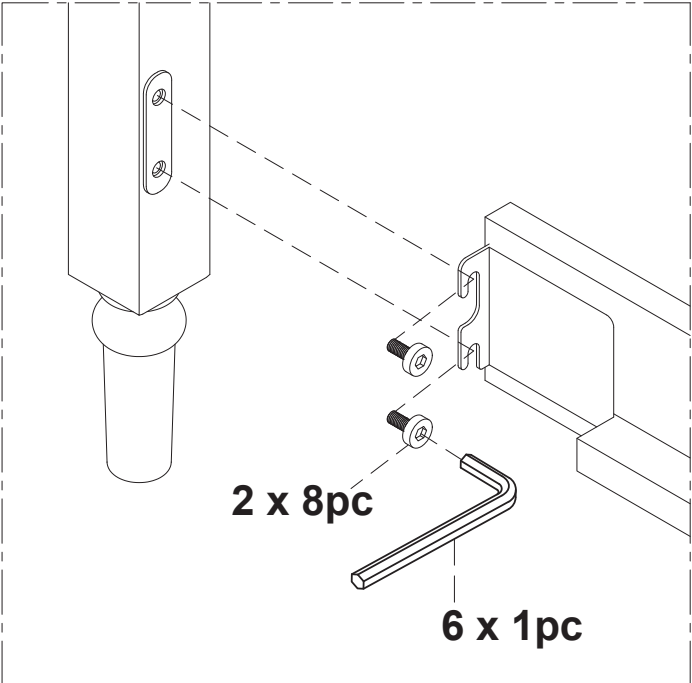
Step 1



Step 2

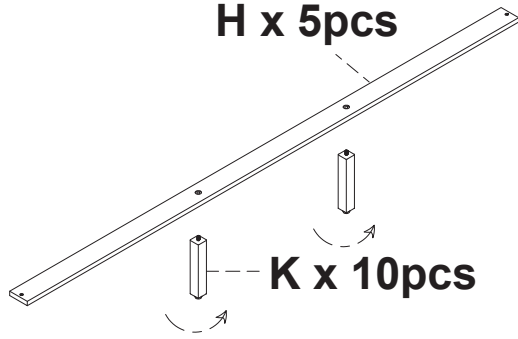


Step 3



Step 4

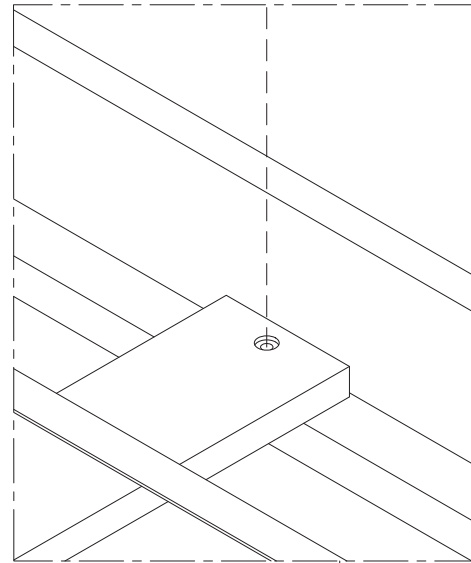
H x 5pcs



K x 10pcs



4 x 20pcs



Step 5

