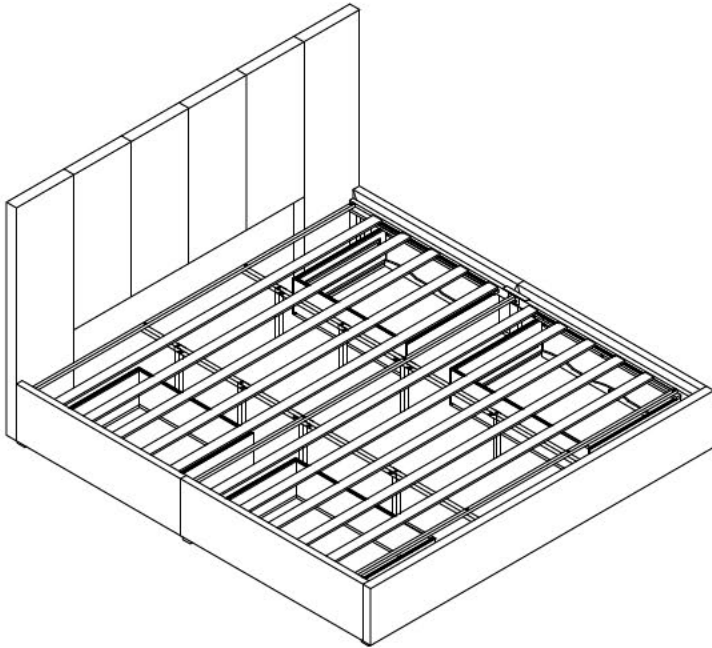


ASSEMBLY INSTRUCTION



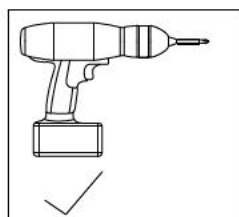
Please **TEAR OFF** this shrink film from side!
DO NOT USE CUTTER!

IMPORTANT NOTE

1. For the protection of your furniture, place all parts on a clean and smooth surface to prevent any damage.
2. Keep fittings out of children's reach and keep children well away from construction area.
3. When moving your assembled bed, it is best to lift the bed and never to drag it.
4. Do not use this product if parts are missing, damaged or worn.
5. This product should only be used on firm, level ground.
6. Please periodically check all fittings and re-tighten as necessary.
7. Do not use the bed unless all bolts and screws are firmly secured.
8. For further assistance, please provide a screenshot of your order and contact us via email



Minimum two
person assembly

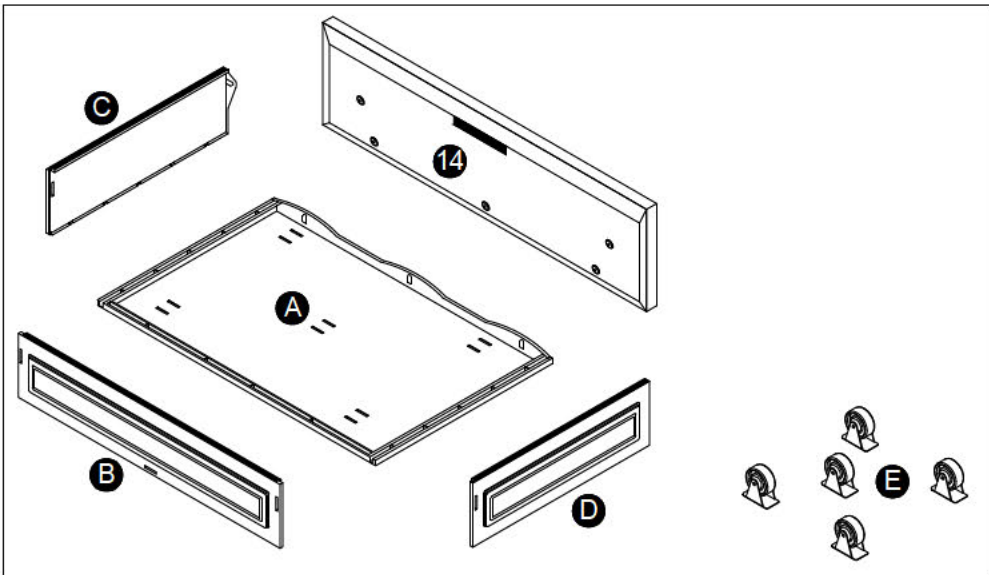
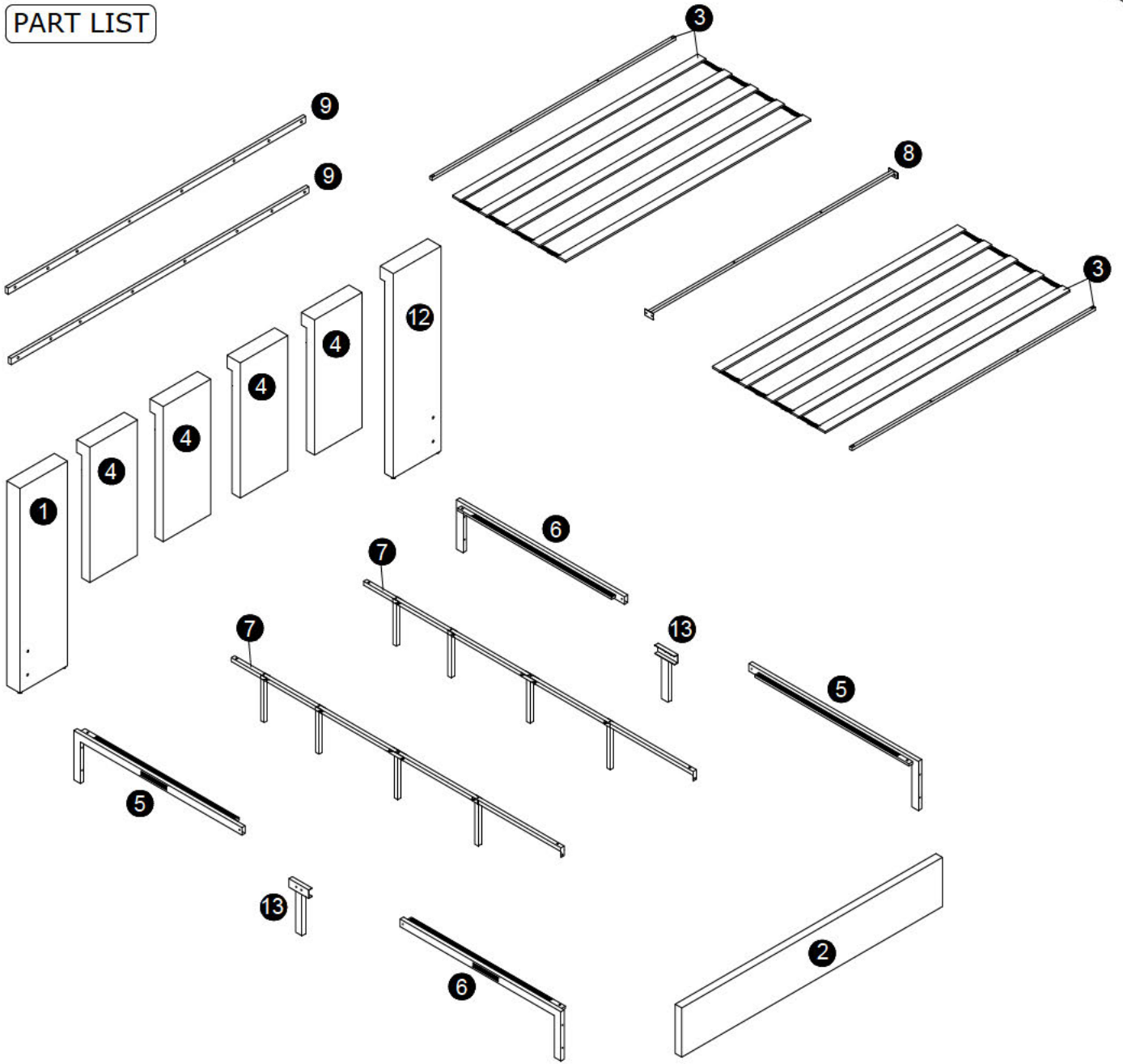


Gloves x1 pair




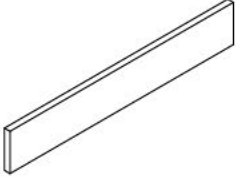
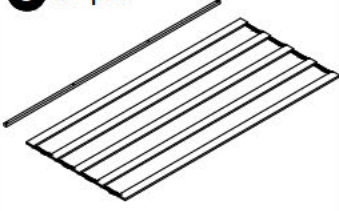
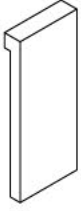
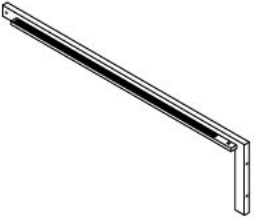

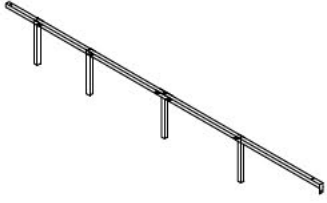



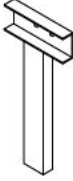

Please note gloves.
This fabric is very light colour.
So when assembling bed,
please wear them.

PART LIST

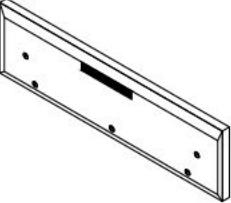


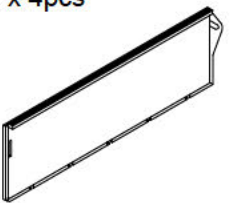
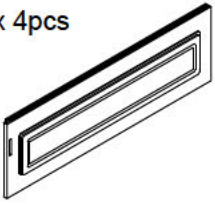


x4












Components of Carton A

1 x 1pc 	2 x 1pc 	3 x 2pcs 	4 x4pcs 
5 x 2pcs 	6 x 2pcs 	7 x 2pcs 	8 x 1pc 
9 x 2pcs 	12 x 1pc 	13 x 2pcs 	E x 20pcs 

Components of Carton B

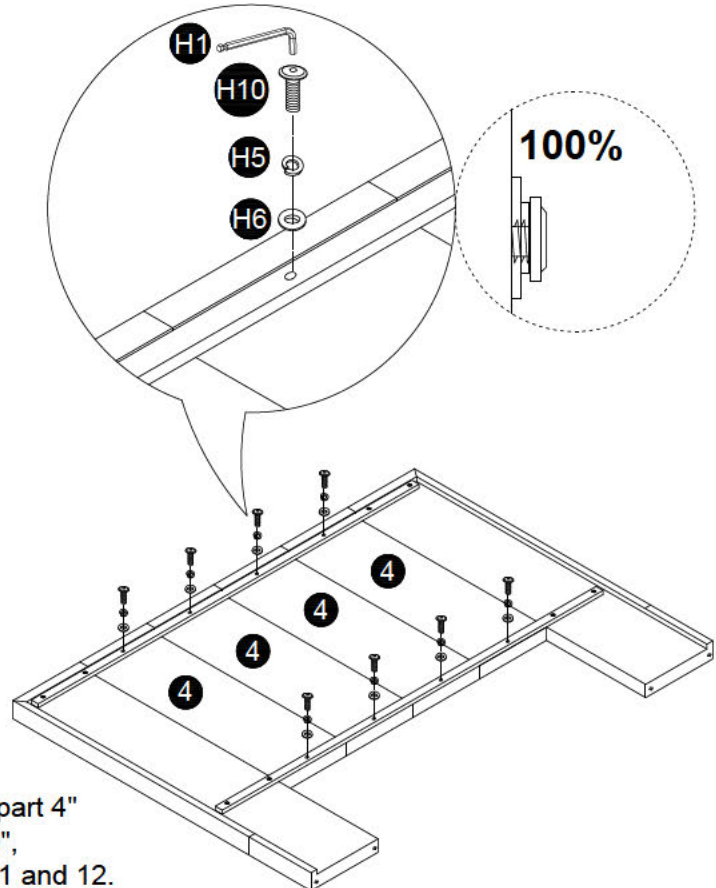
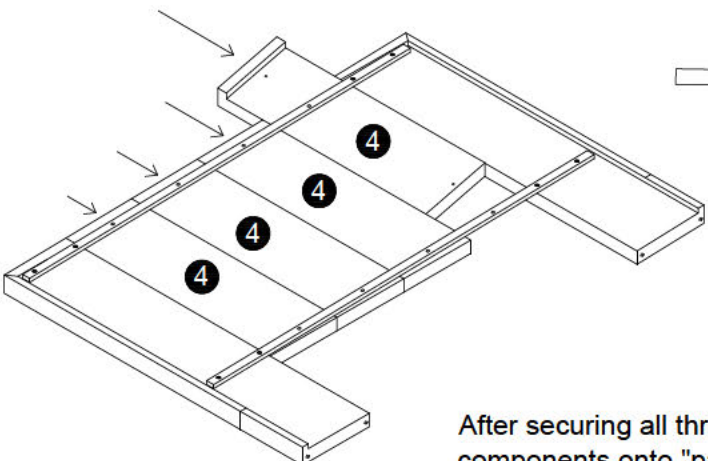
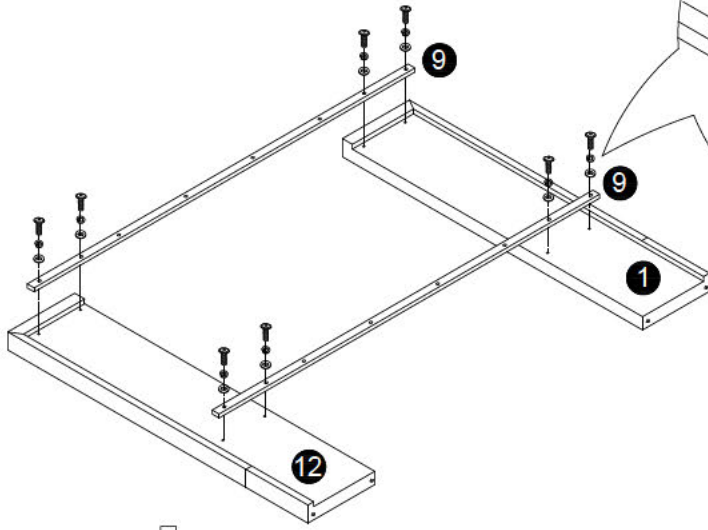
14 x 4pcs 	A x 4pcs 	B x 4pcs 	C x 4pcs 
D x 4pcs 			

HARDWARE LIST

 H1 M5 x 1pc	 H2 M4 x 1pc	 H3 M8x35mm x 10pcs	 H4 M8x70mm x 8pcs
 H5 M8 x 16pcs	 H6 M8x22mm x 16pcs	 H7 M6x35mm x 10pcs	 H8 M6x60mm x 2pcs
 H9 M6x15mm x 20pcs	 H10 M8x45mm x 16pcs	 H14 x 12pcs	

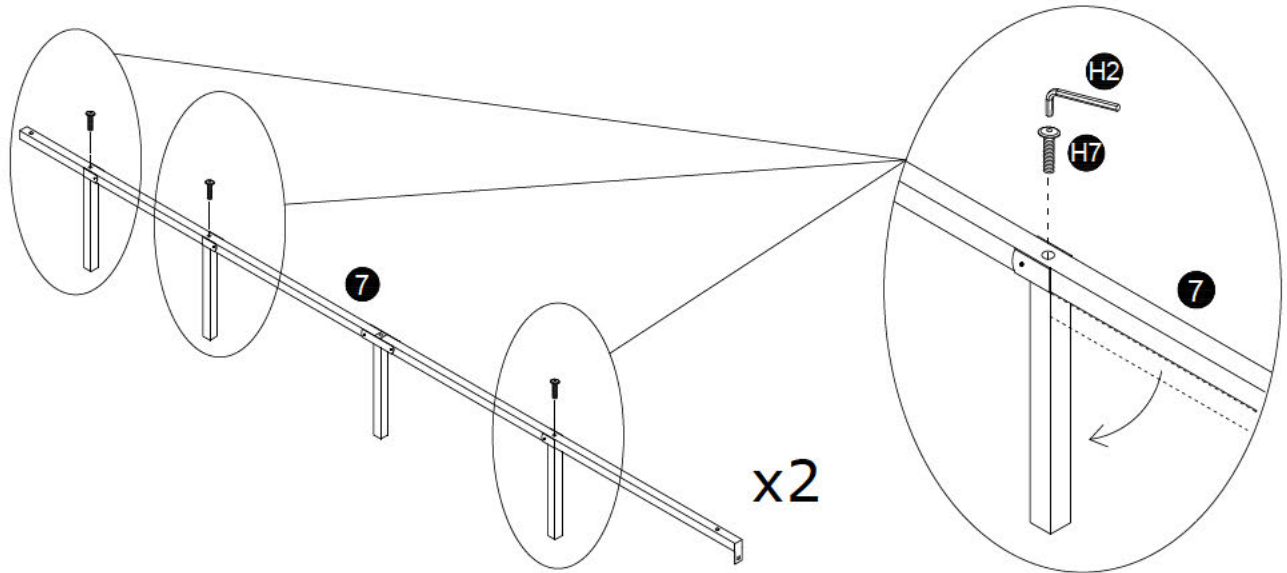
Please ensure to thoroughly inspect the small inner cardboard box containing the hardware, which are tied with a red string, before disposing of the box.

1 Loosely screw parts 1, 12, and 9 together to facilitate inserting part 4 between 1 and 12. Tightening the screws too much will make it difficult to insert part 4.

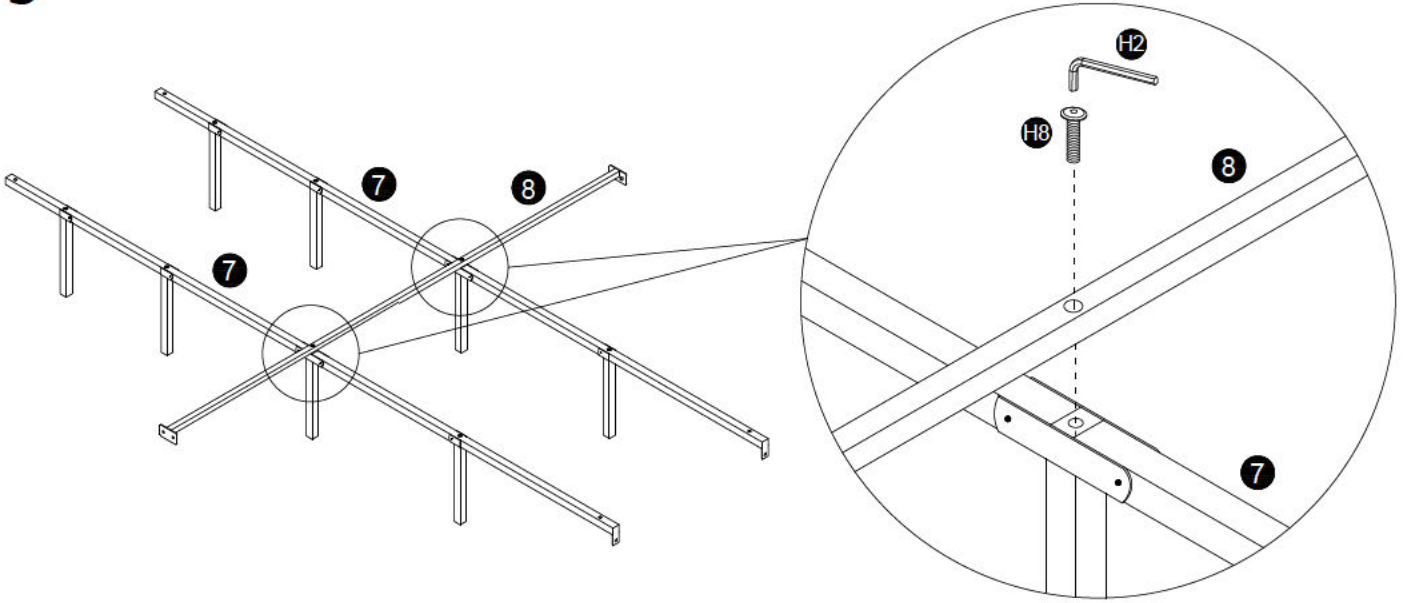


After securing all three "part 4" components onto "part 9", proceed to tighten parts 1 and 12.

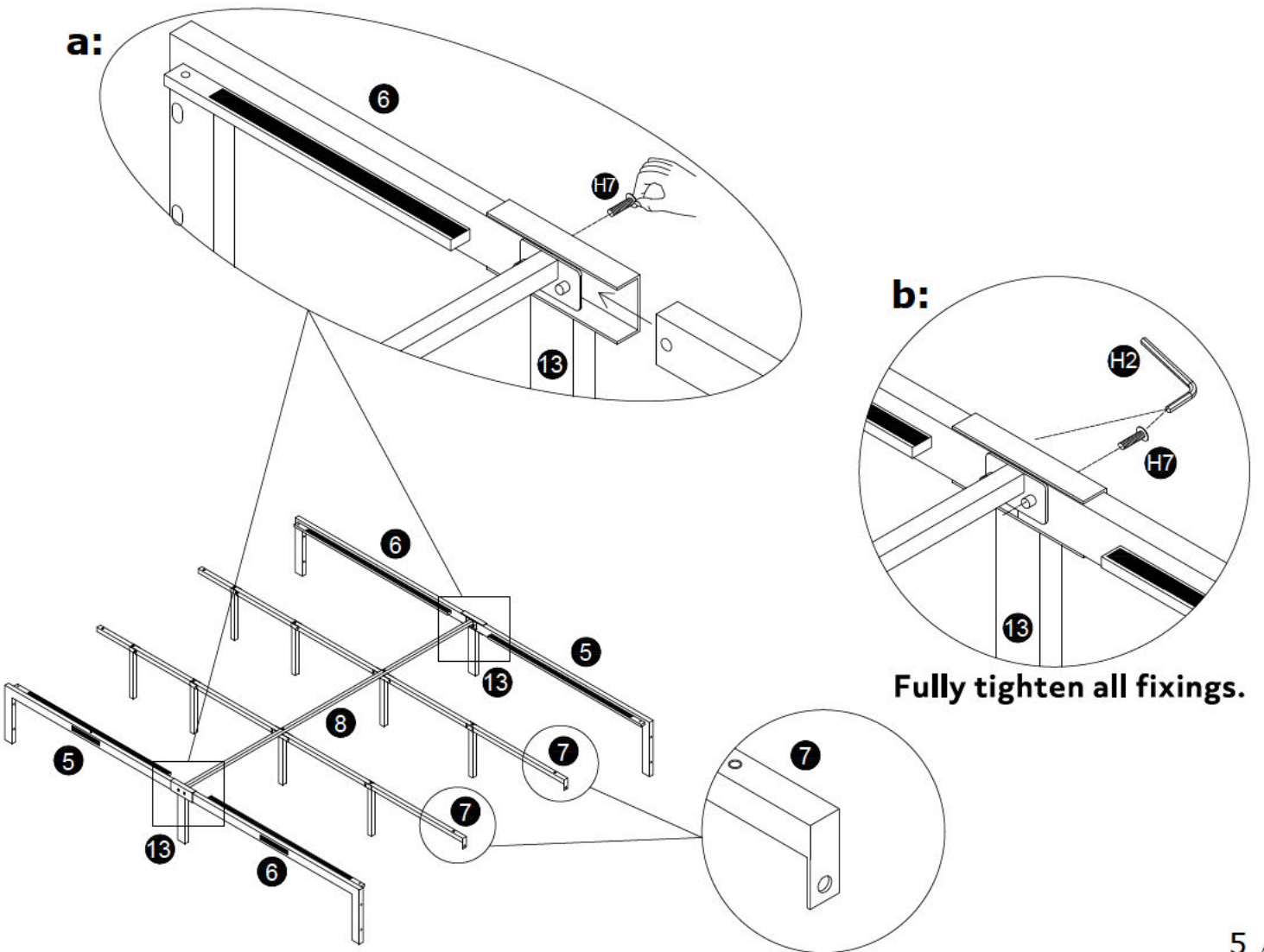
2



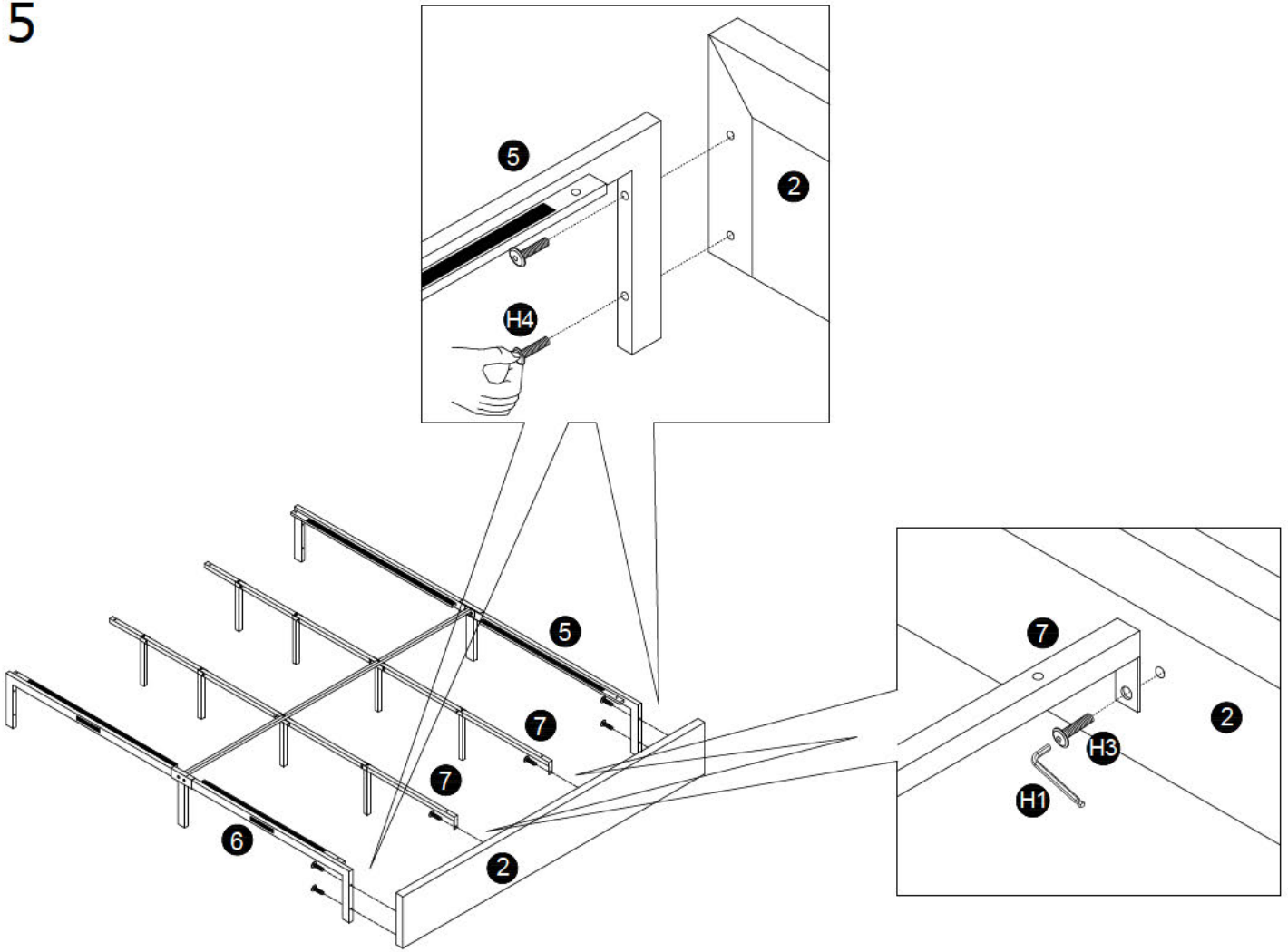
3



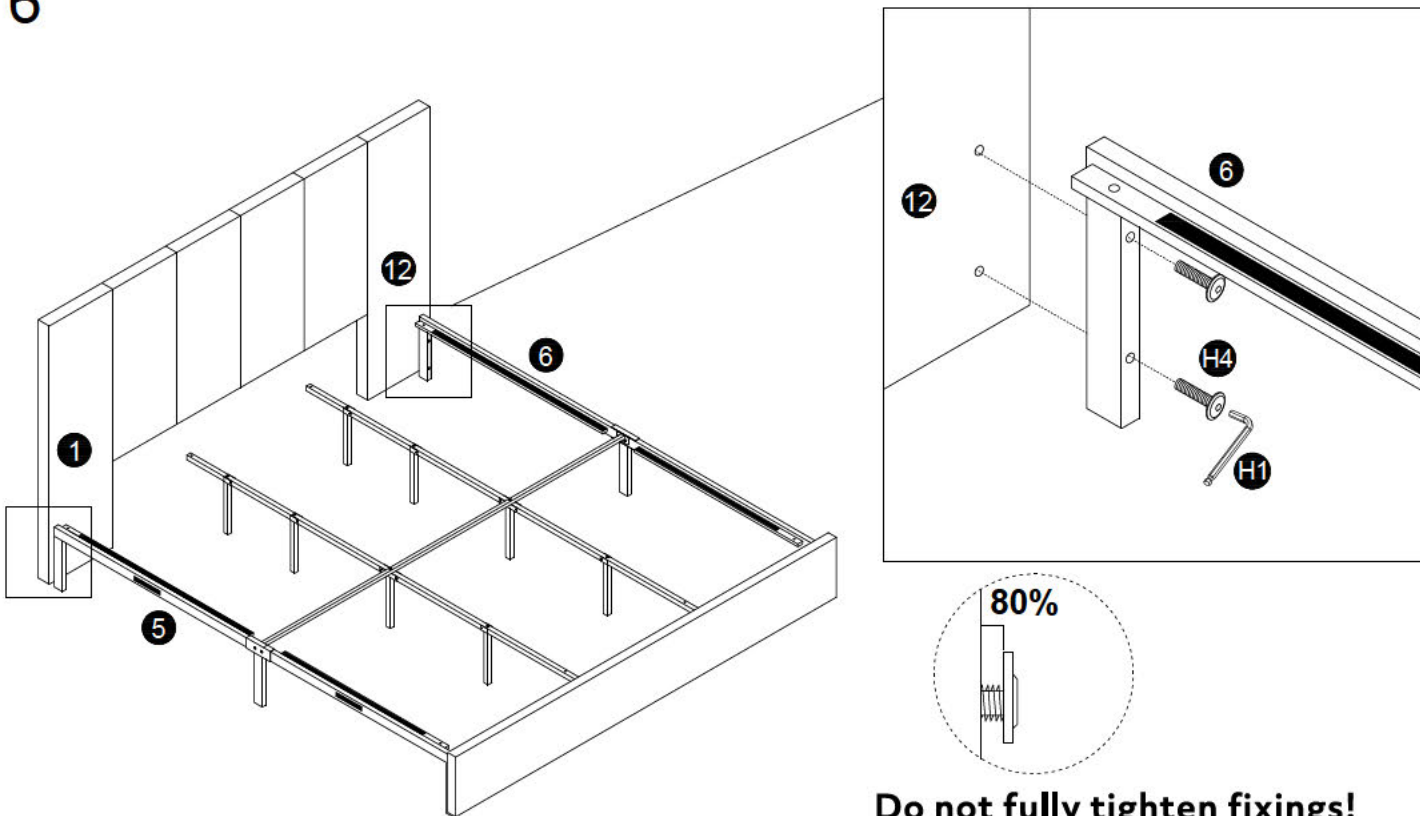
4



5



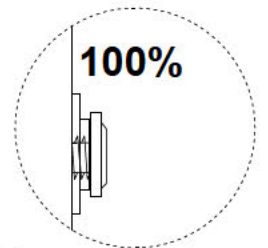
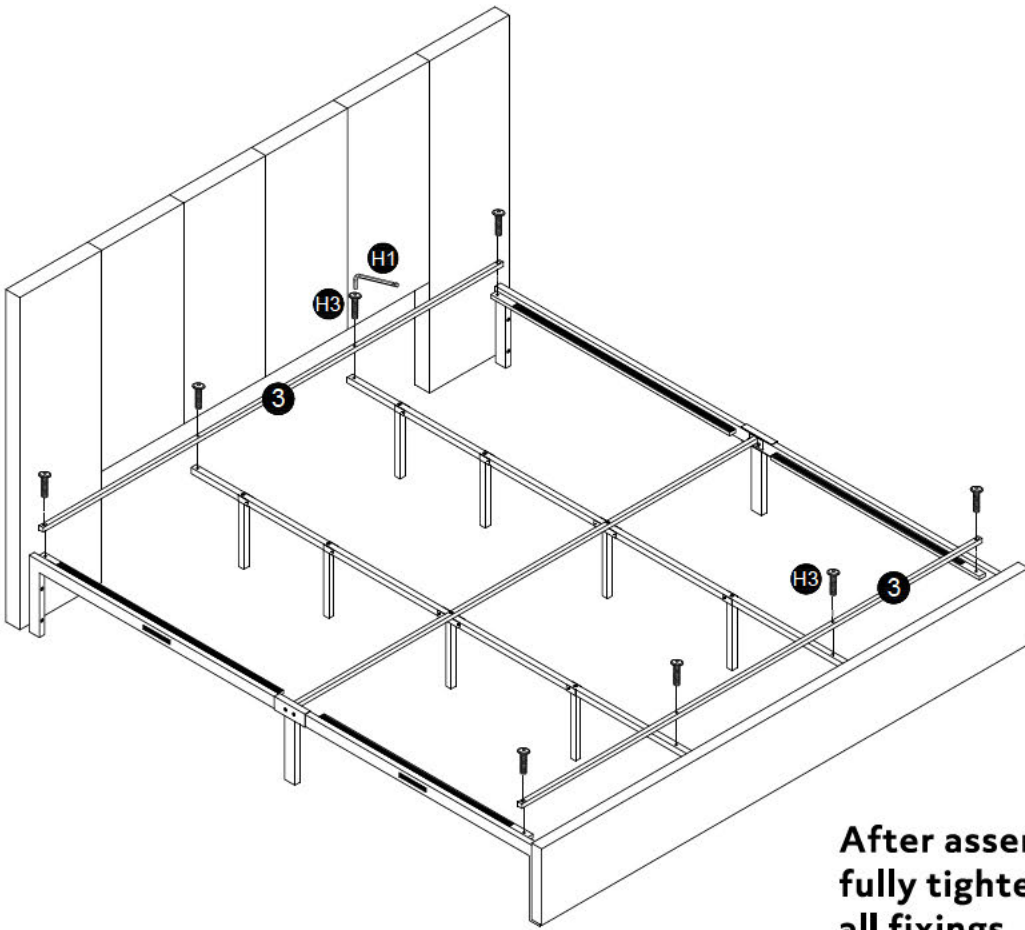
6



80%

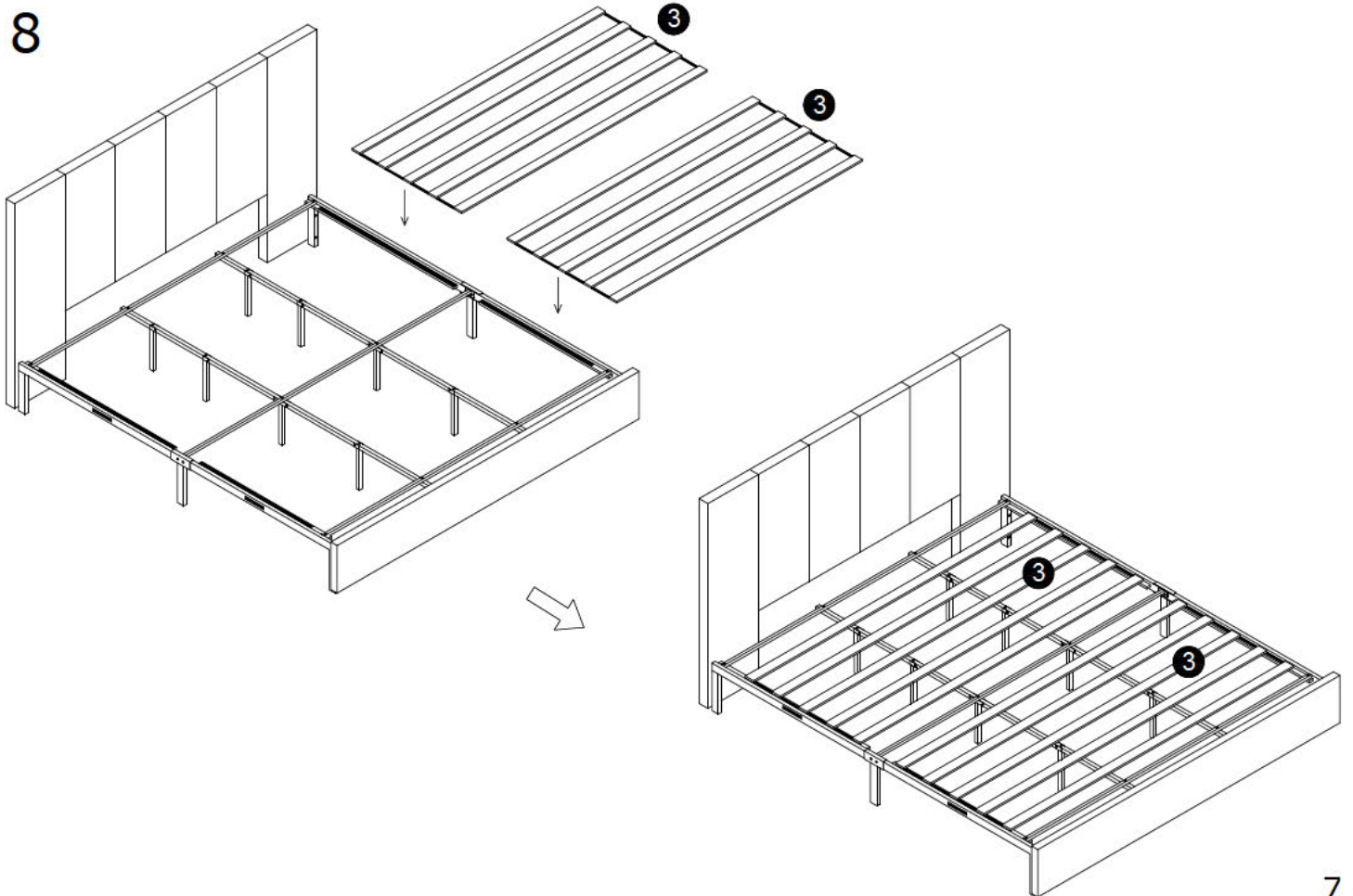
Do not fully tighten fixings!

7



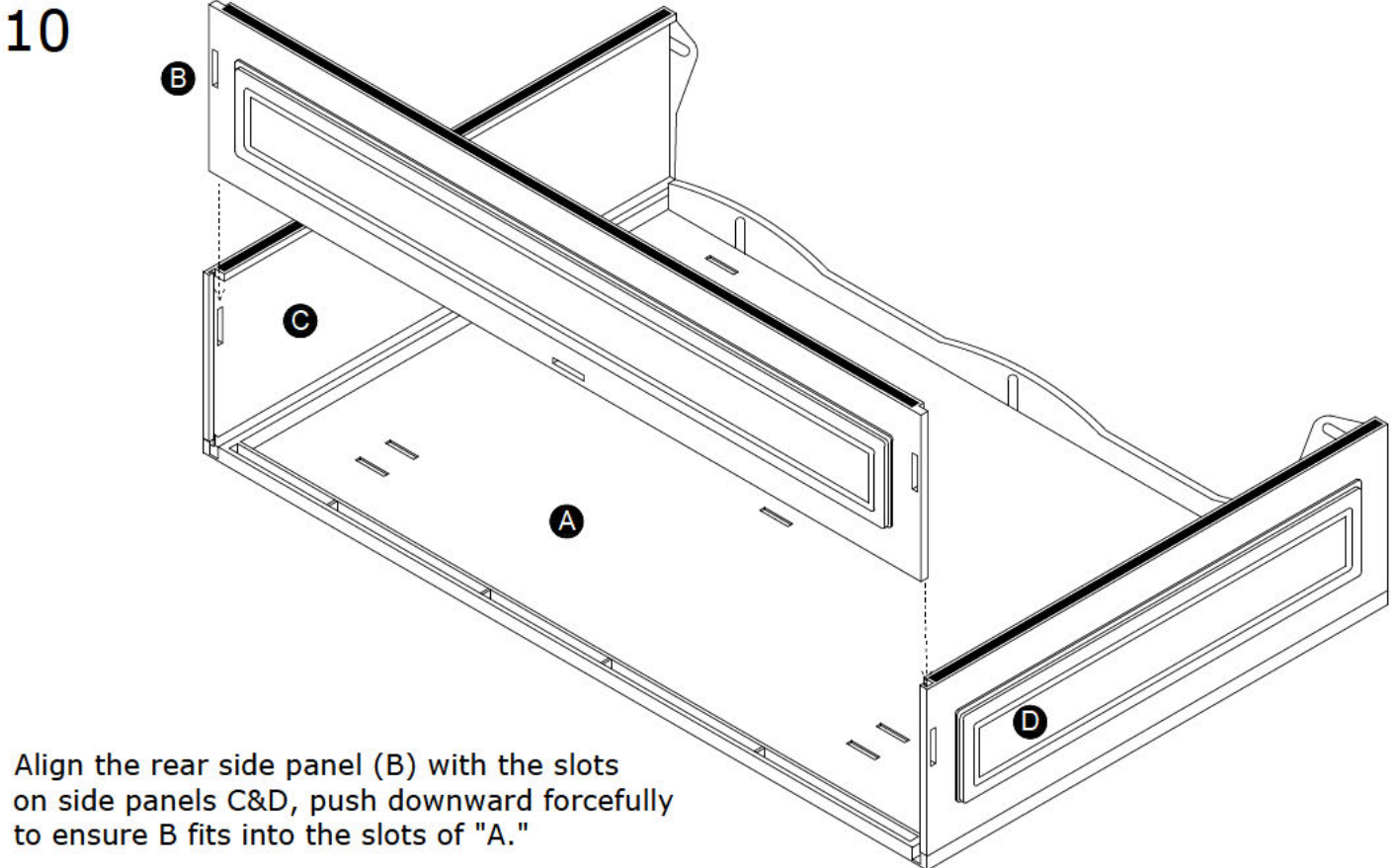
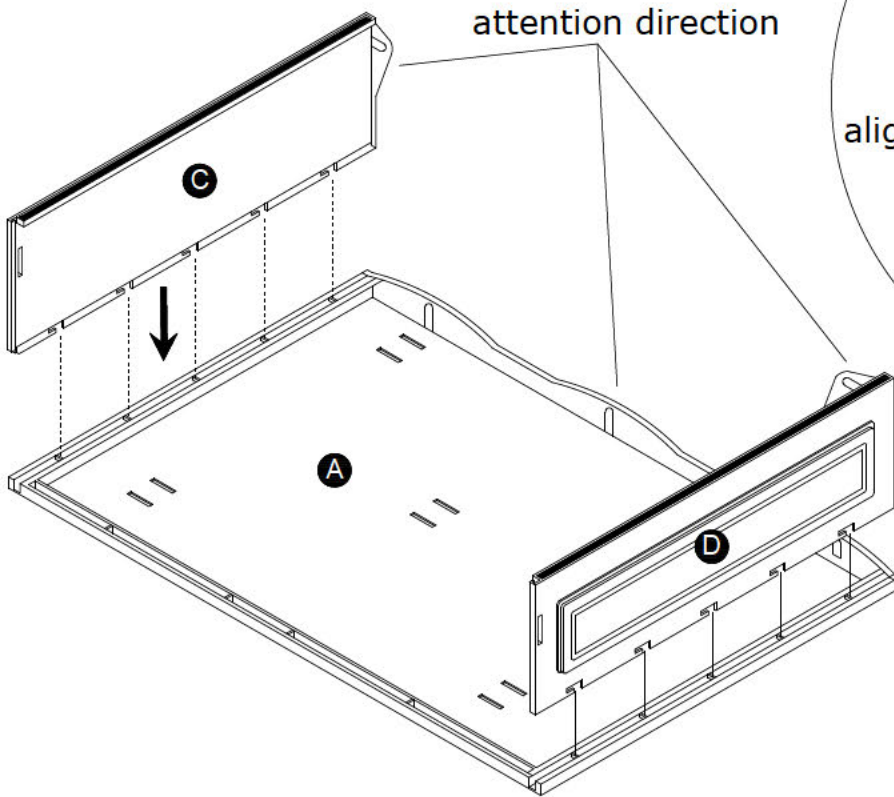
After assembly is completed,
fully tighten step 5 and step 6
all fixings.

8

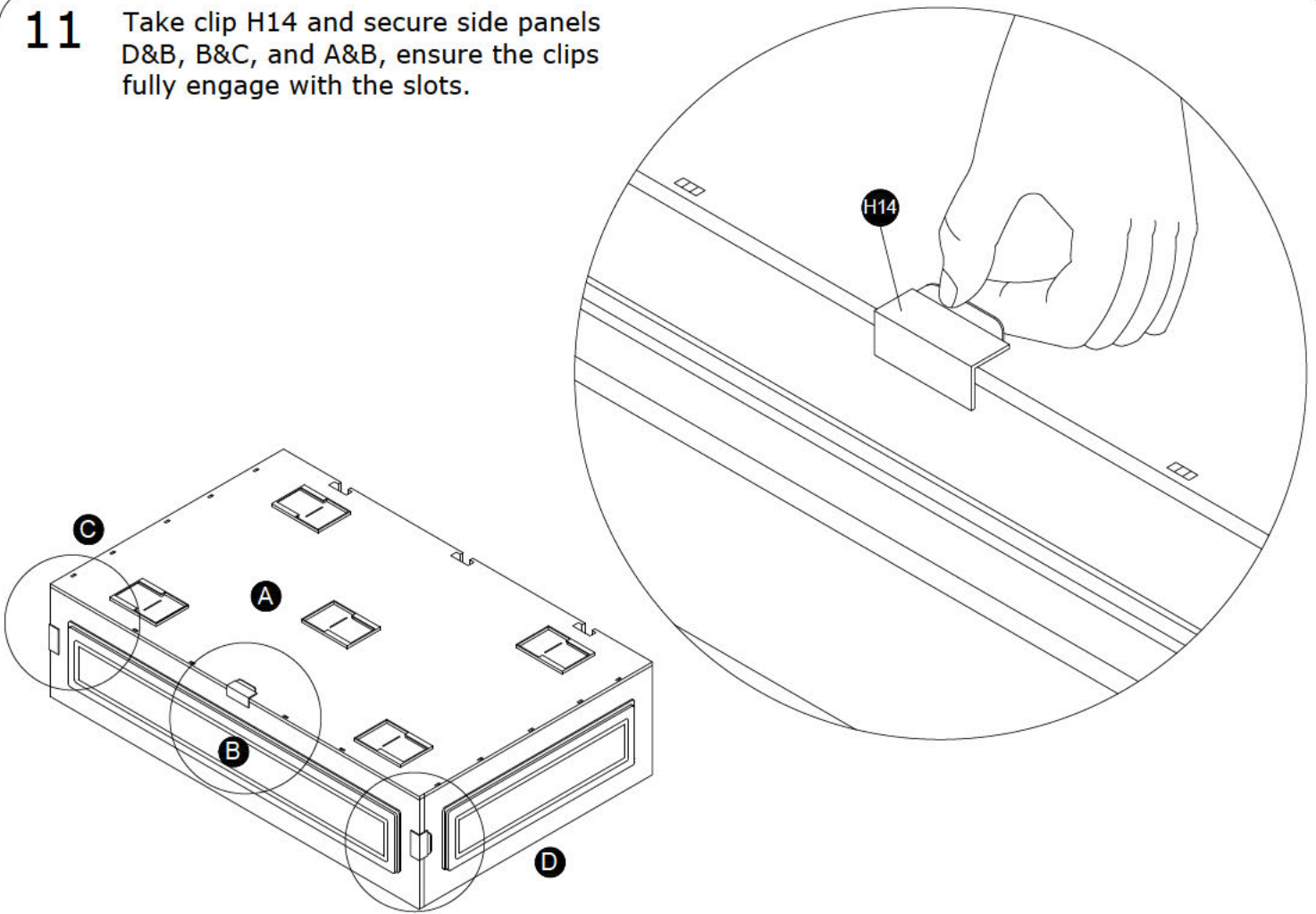


7

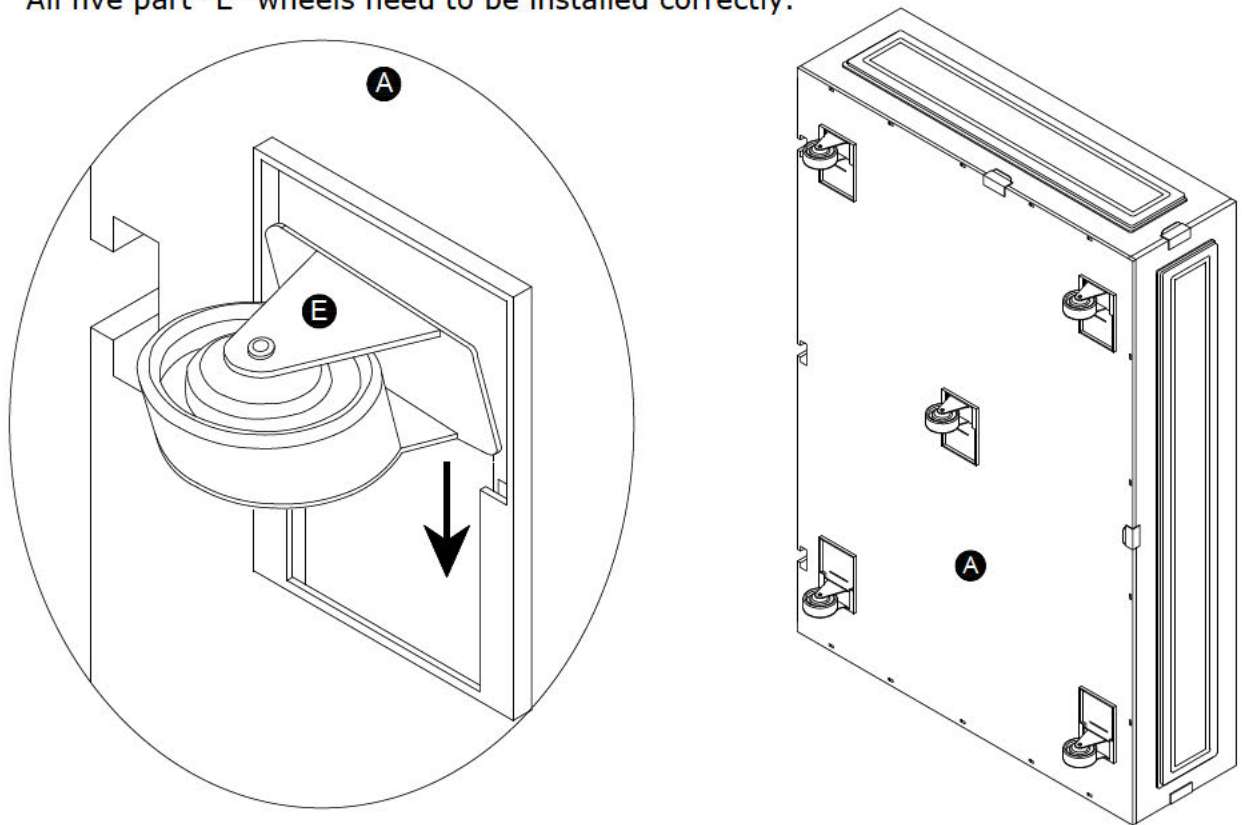
9 Put plastic baseboard (A) flat on the floor, assemble side baffles (C&D), following the assemble picture aligning them inward, ensuring all fit into all slots, and push forcefully until the side panels are flush with the baseboard.



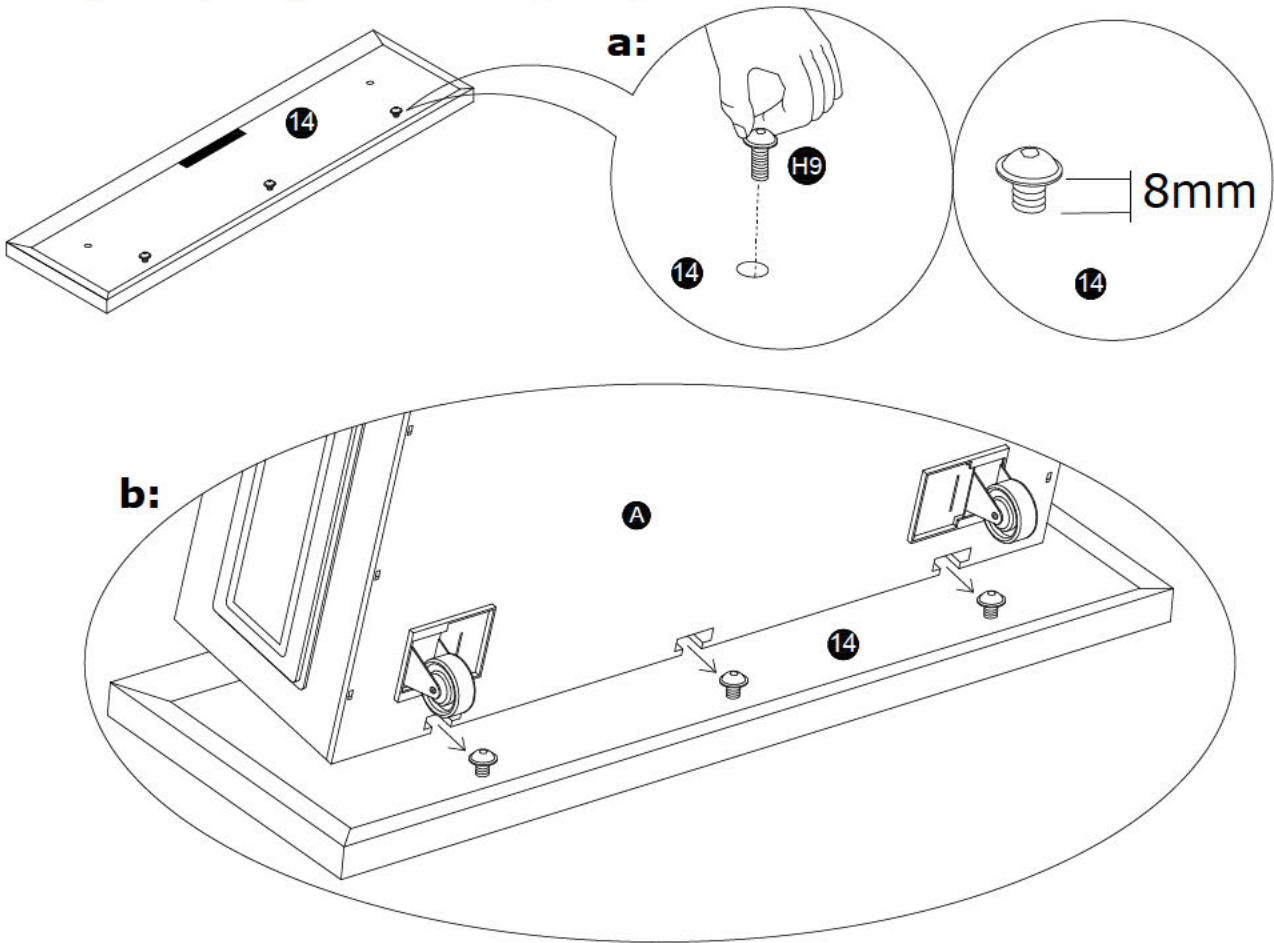
- 11** Take clip H14 and secure side panels D&B, B&C, and A&B, ensure the clips fully engage with the slots.



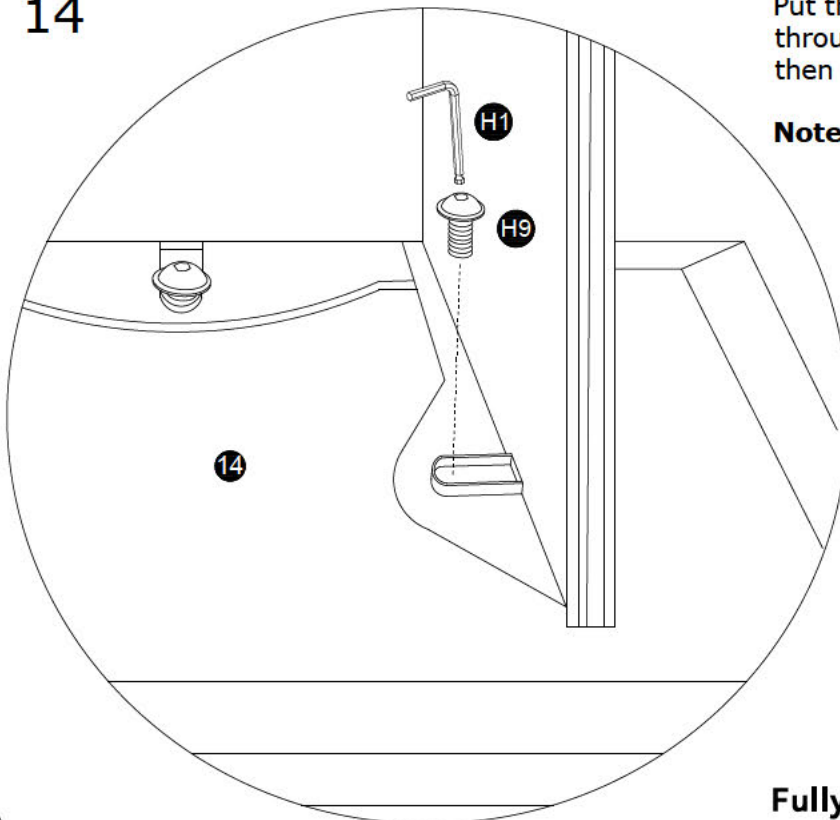
- 12** Install wheels "E" by forcefully pushing them into the slots; once pushed to the bottom, a protrusion will engage with the metal sheet to prevent them from easily coming off. All five part "E" wheels need to be installed correctly.



- 13** Take screw H9, first install it into drawer panel 14, then screw in the bottom 3 screws partially leaving them protruding 8mm (for easy installation). Insert the drawer bottom A into the three screws of the panel, ensuring no distortion of the drawer and panel to prevent plastic parts from breaking during installation.

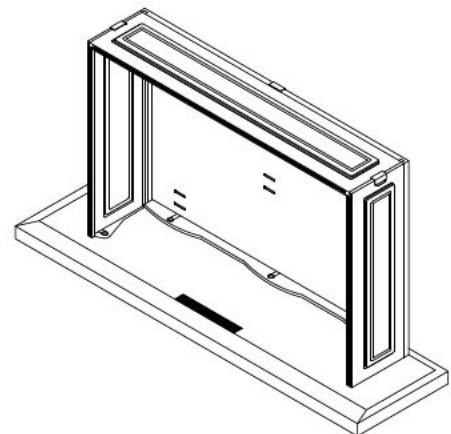


14



Put the drawer flat, install screw H9 through the holes in drawer sides C&D, then tighten all screws.

Note: Plastic drawers should not be installed with power tools; tightening manually is sufficient.



Fully tighten all fixings.