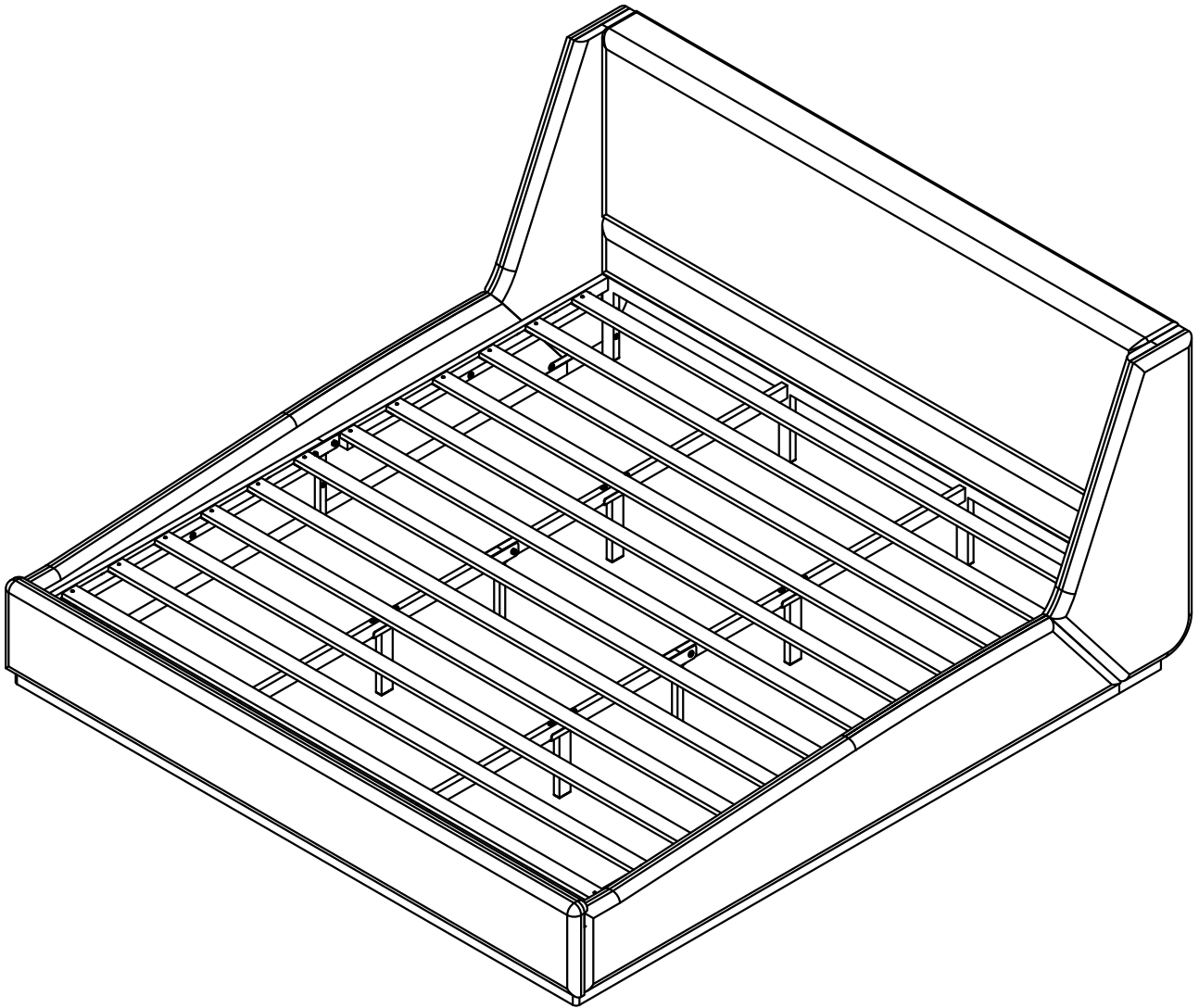


# ASSEMBLY INSTRUCTION

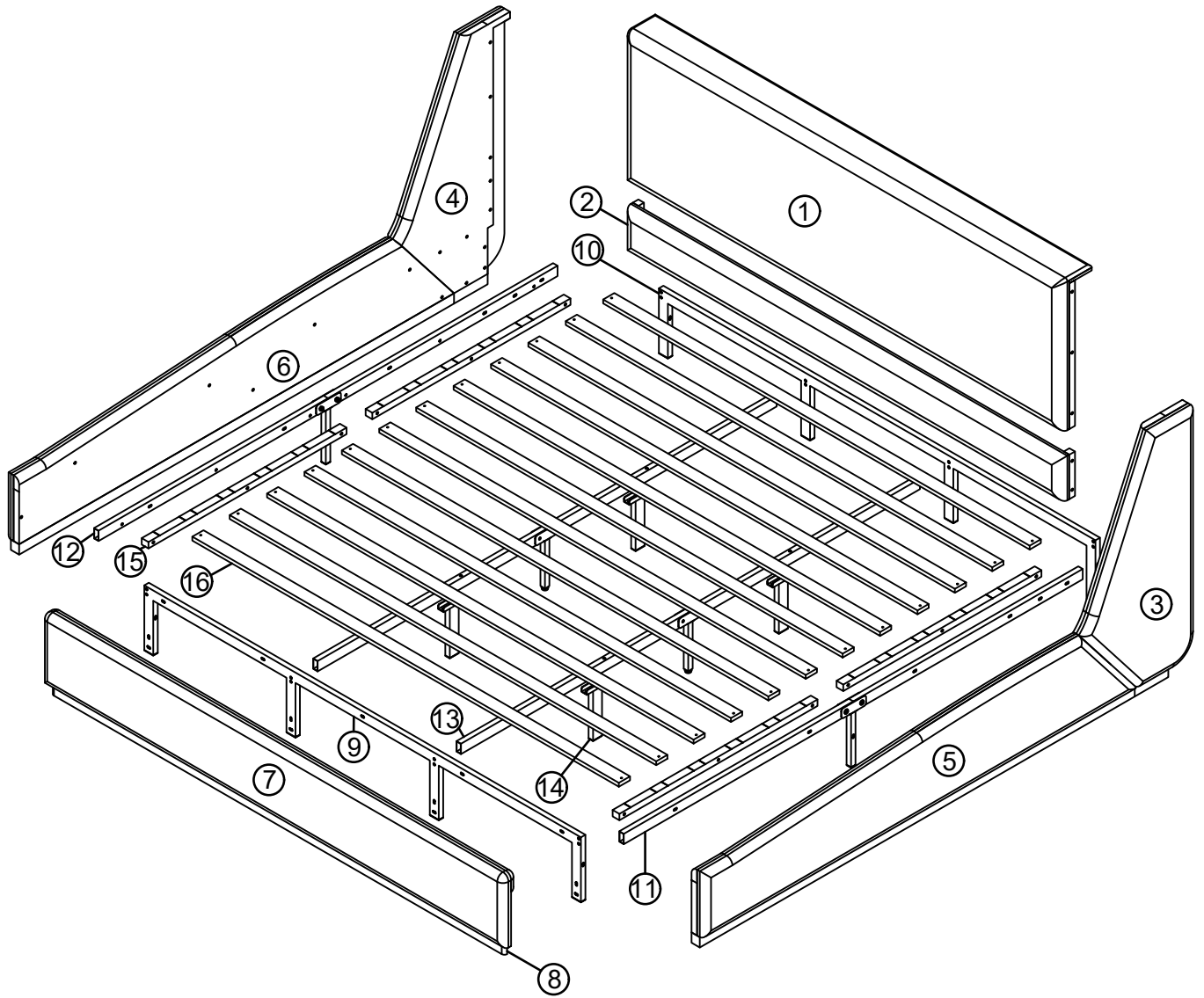
SKU CODE : N769P393039W/N769P393040W



---

Our product will be delivered to you in 2 packages. The delivery times of these 2 packages may differ, please be patient and thank you for your understanding.

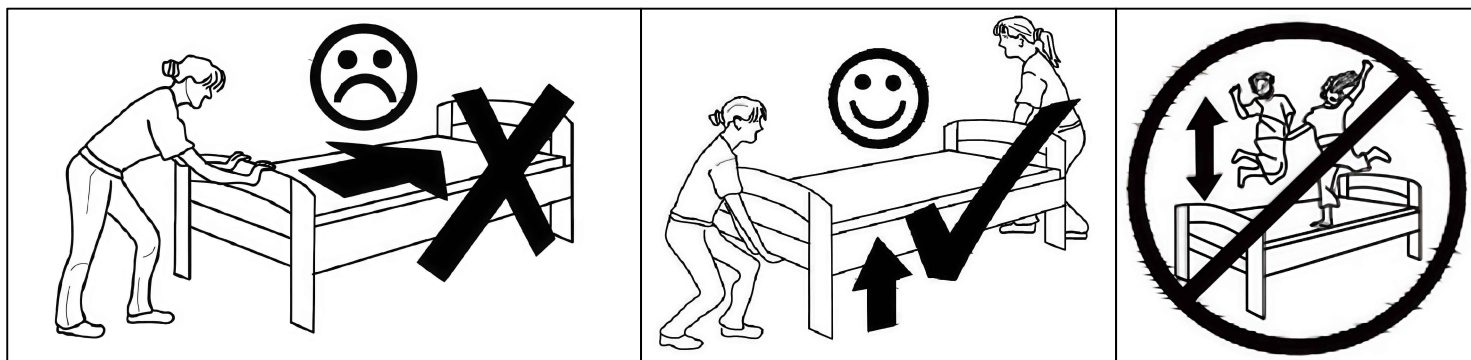
# ASSEMBLY INSTRUCTION



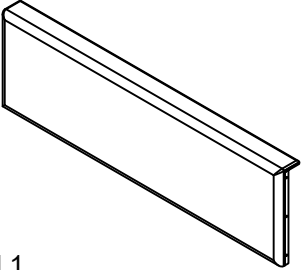
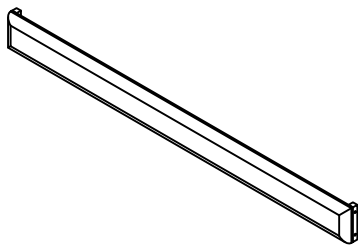
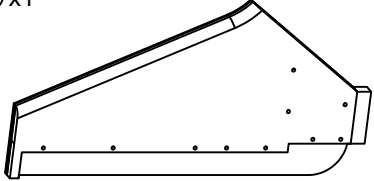
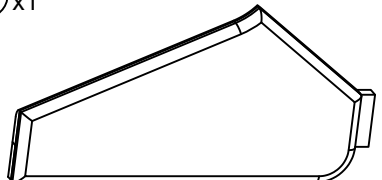
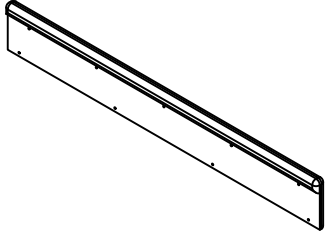
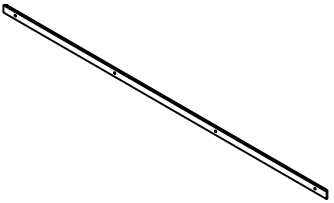
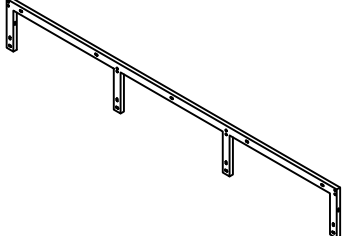
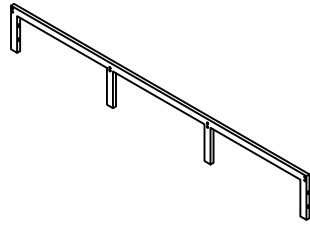

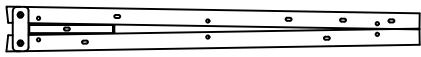
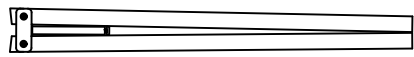
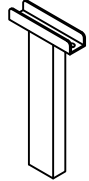
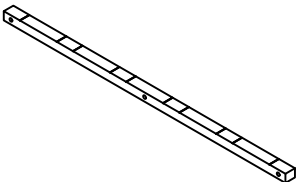
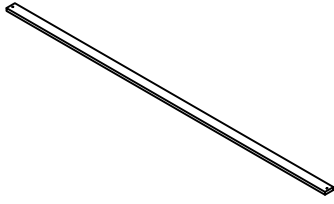
Before installation, insert the screws into the holes and tighten them, but do not tighten them to 100%, 70% to 80% is sufficient. Finally, after all screws are installed, tighten all screws to 100%. If you encounter these issues, such as if the holes cannot be aligned or some parts cannot be installed, please check if the screws are used correctly and adjust the tightness of the screws.

**IMPORTANT! KEEP FOR FUTURE REFERENCE READ CAREFULLY**

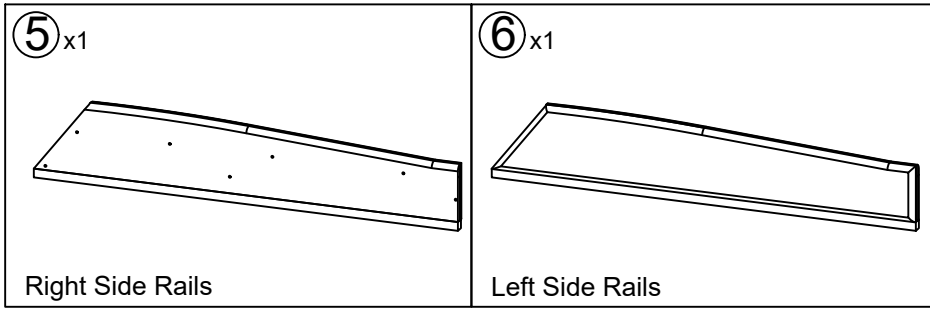
- To be assembled by two adults. Assembly must be checked by an adult before use
- **WARNING!** Keep all screws, small parts and plastic bags out of the reach of children
- Properly identify all parts before assembling
- Never use your item if any of its parts are broken or missing
- Should any problems arise, please contact our After Sales Service
- Manufacturer's instructions shall be followed at all times
- Care: Clean with a soft, dry cloth, In case of larger stains, carefully rub with a slightly damp, non-abrasive sponge
- Avoid the risk of fire by not placing furniture near sources of ignition or hot items
- Do not jump on the bed



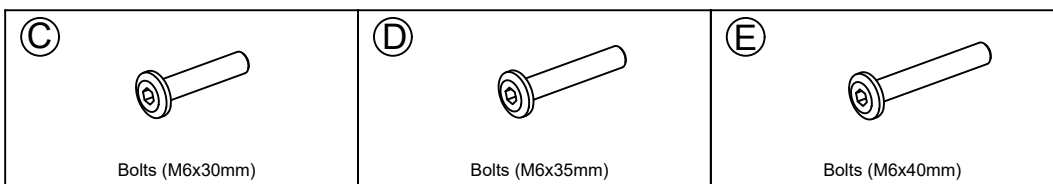
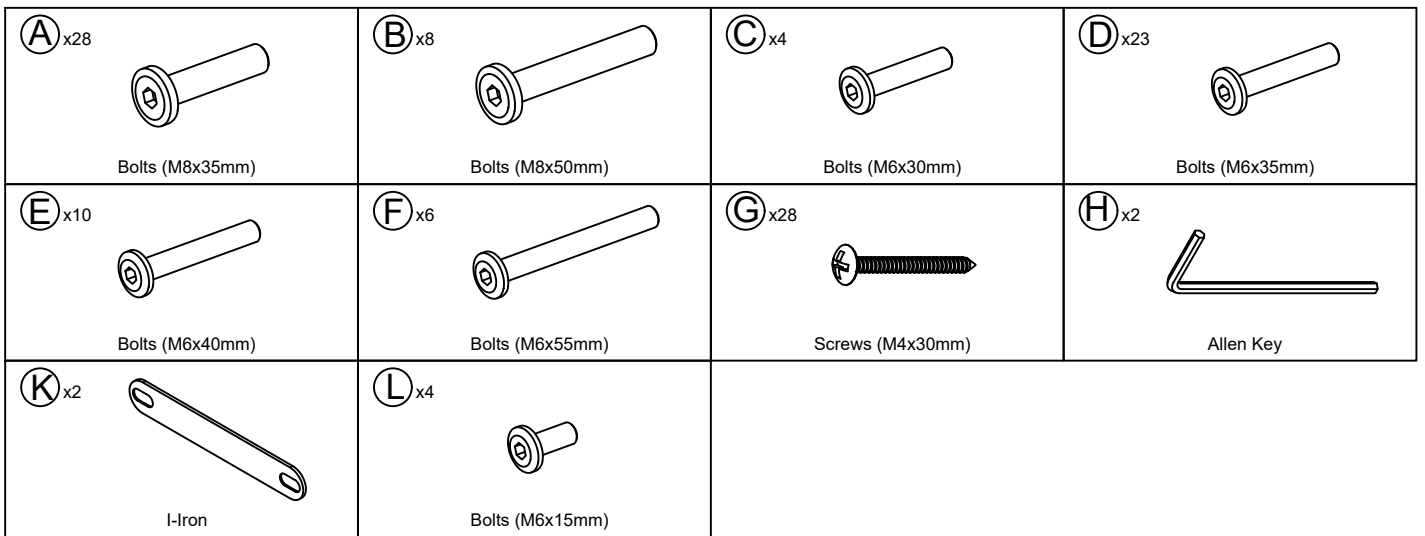
# Part List ( Box 1 - N769P393039W)

<p>① x1</p>  <p>Headboard 1</p>	<p>② x1</p>  <p>Below Headboard</p>	<p>③ x1</p>  <p>Right Headboard Leg</p>
<p>④ x1</p>  <p>Left Headboard Leg</p>	<p>⑦ x1</p>  <p>Footboard</p>	<p>⑧ x1</p>  <p>Bottom Front Rail</p>
<p>⑨ x1</p>  <p>Iron Leg Footboard</p>	<p>⑩ x1</p>  <p>Iron Leg Headboard</p>	<p>⑪ x1</p>  <p>Side Rails 11</p>
<p>⑫ x1</p>  <p>Side Rails 12</p>	<p>⑬ x2</p>  <p>Center Support Beam</p>	<p>⑭ x4</p>  <p>Leg Supports</p>
<p>⑮ x4</p>  <p>Side Tray</p>	<p>⑯ x12</p>  <p>Bed Slats</p>	

# Part List ( Box 2 - N769P393040W)

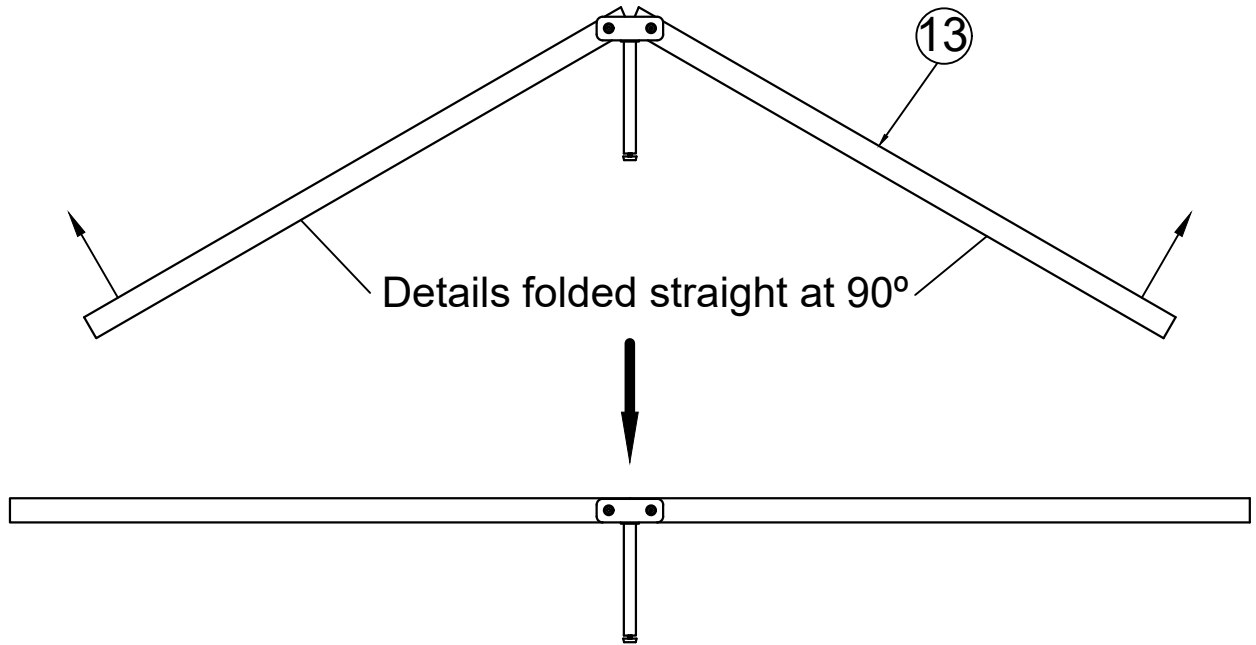
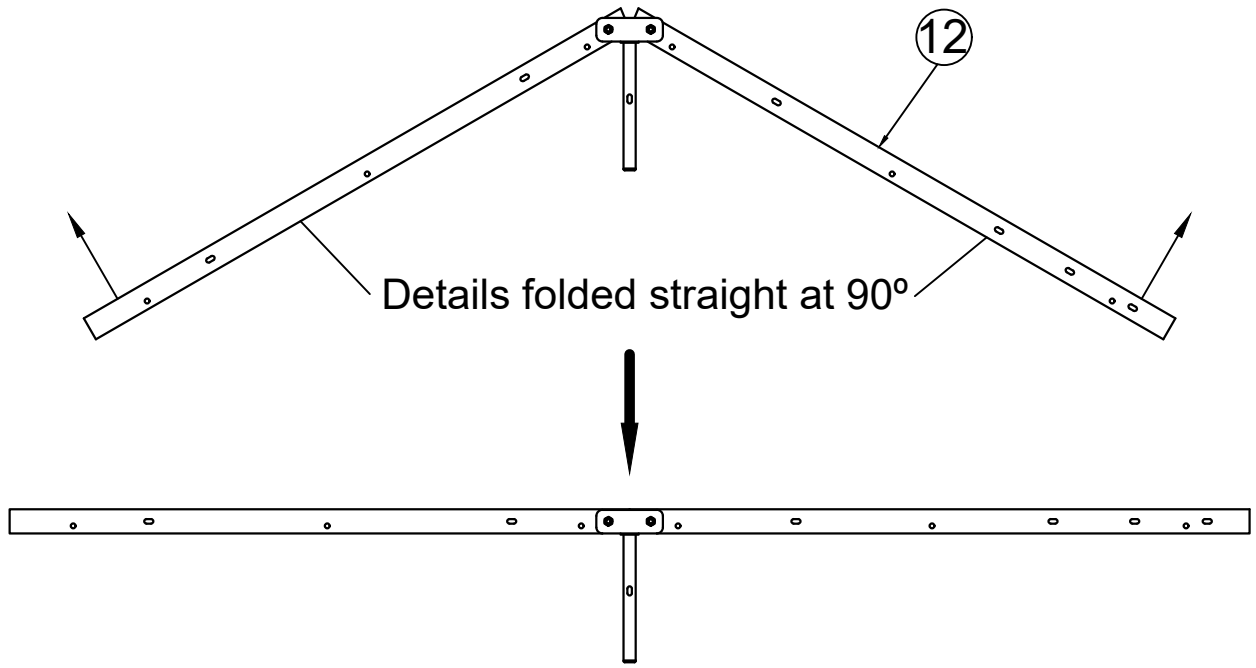
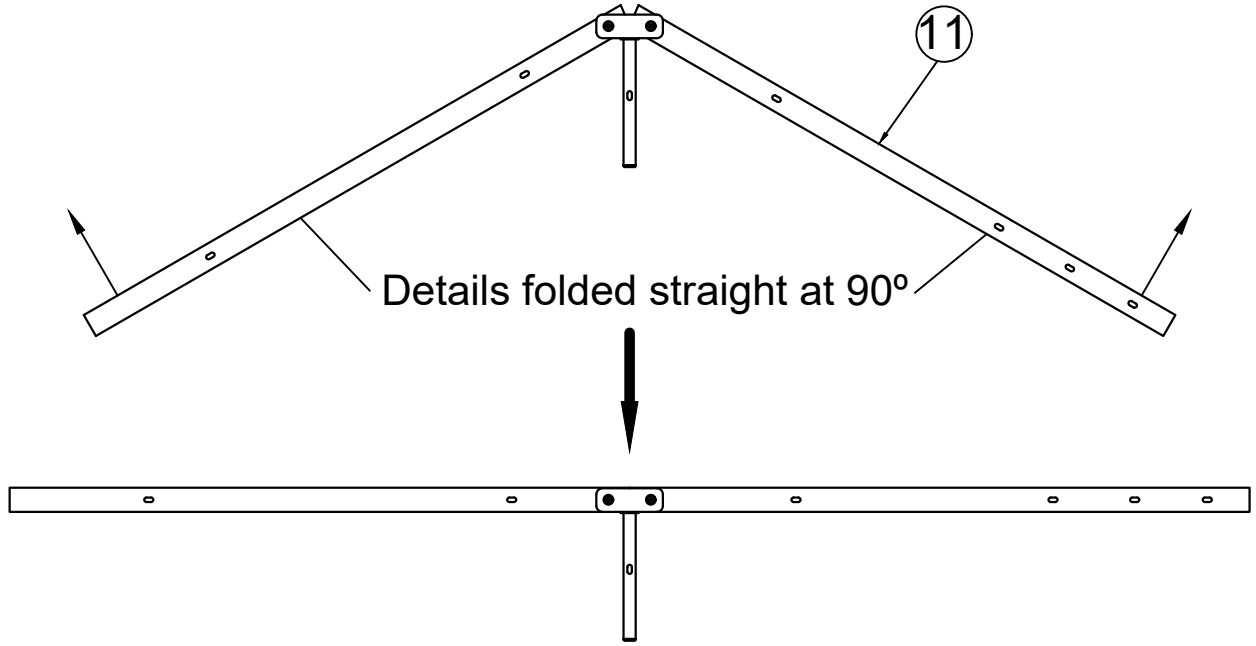


# Hardware List ( Box 1 - N769P393039W)

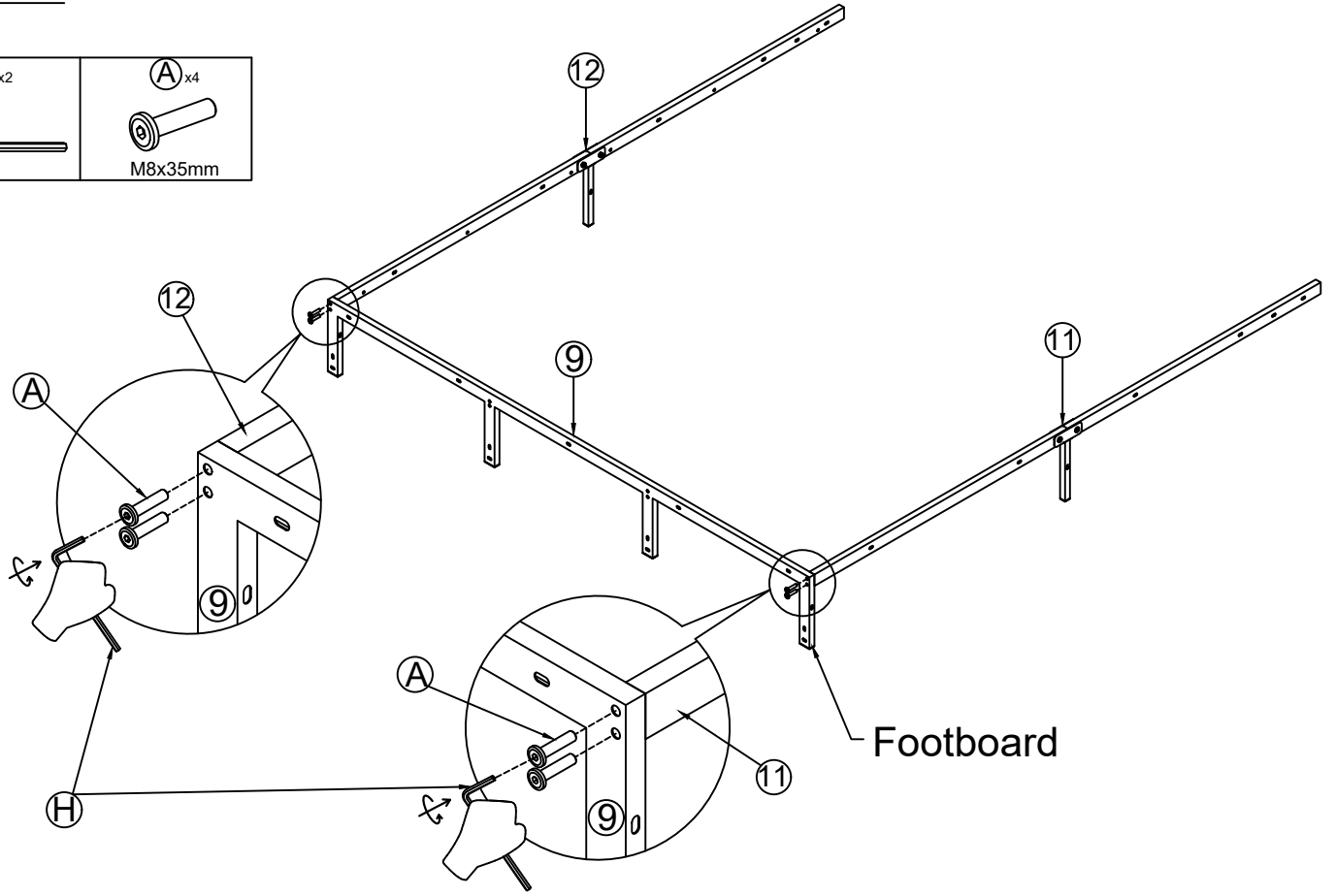
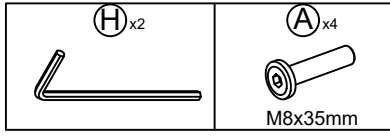


Please note that the shapes of screws C, D and E are similar. Please install according to the instructions and distinguish them!

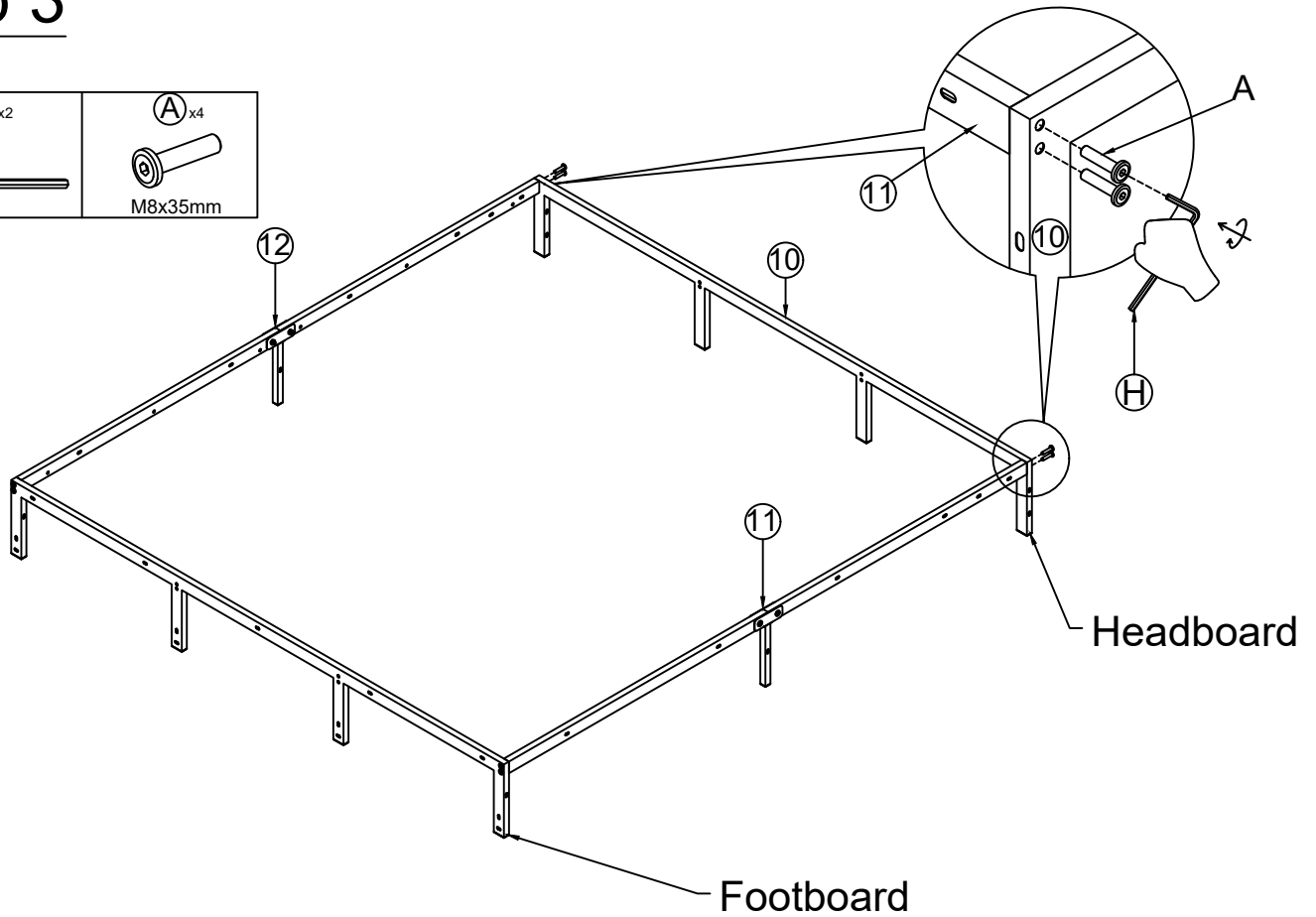
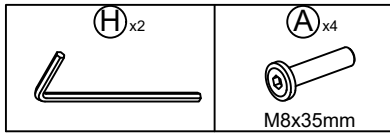
# Step 1



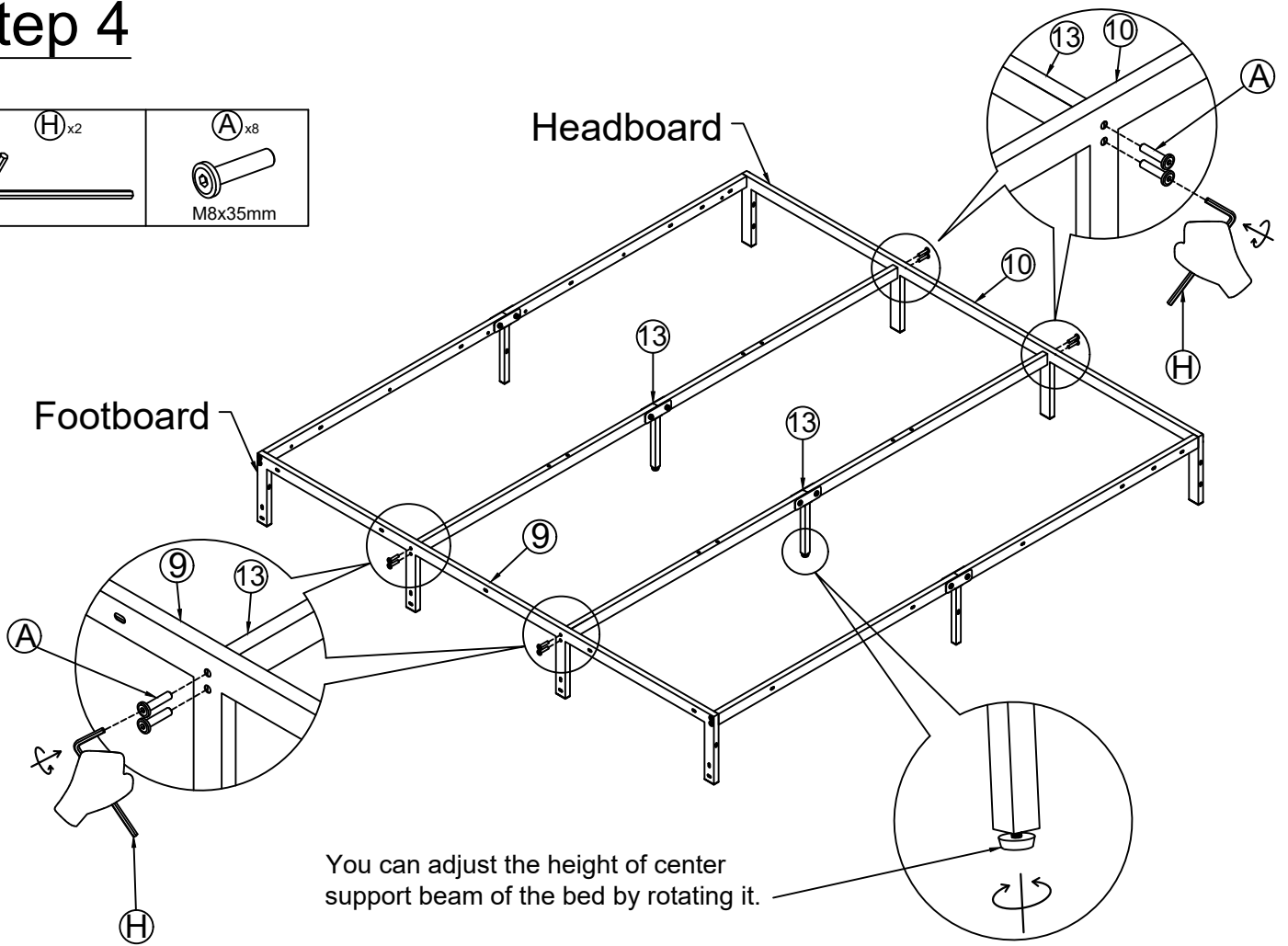
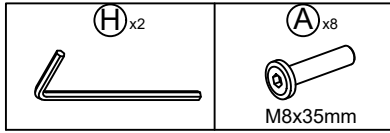
# Step 2



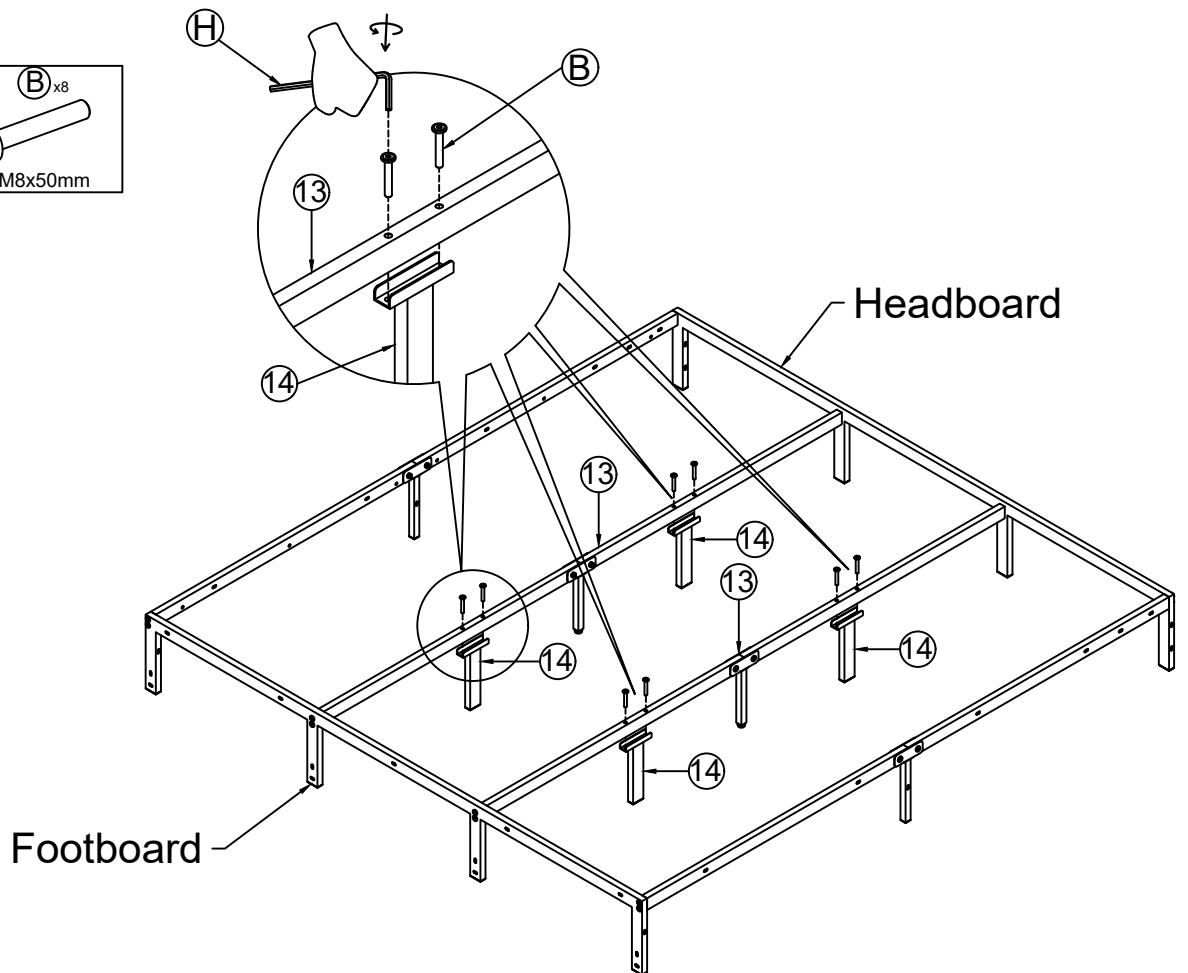
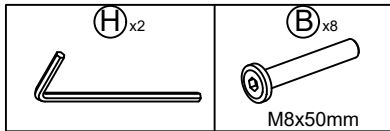
# Step 3



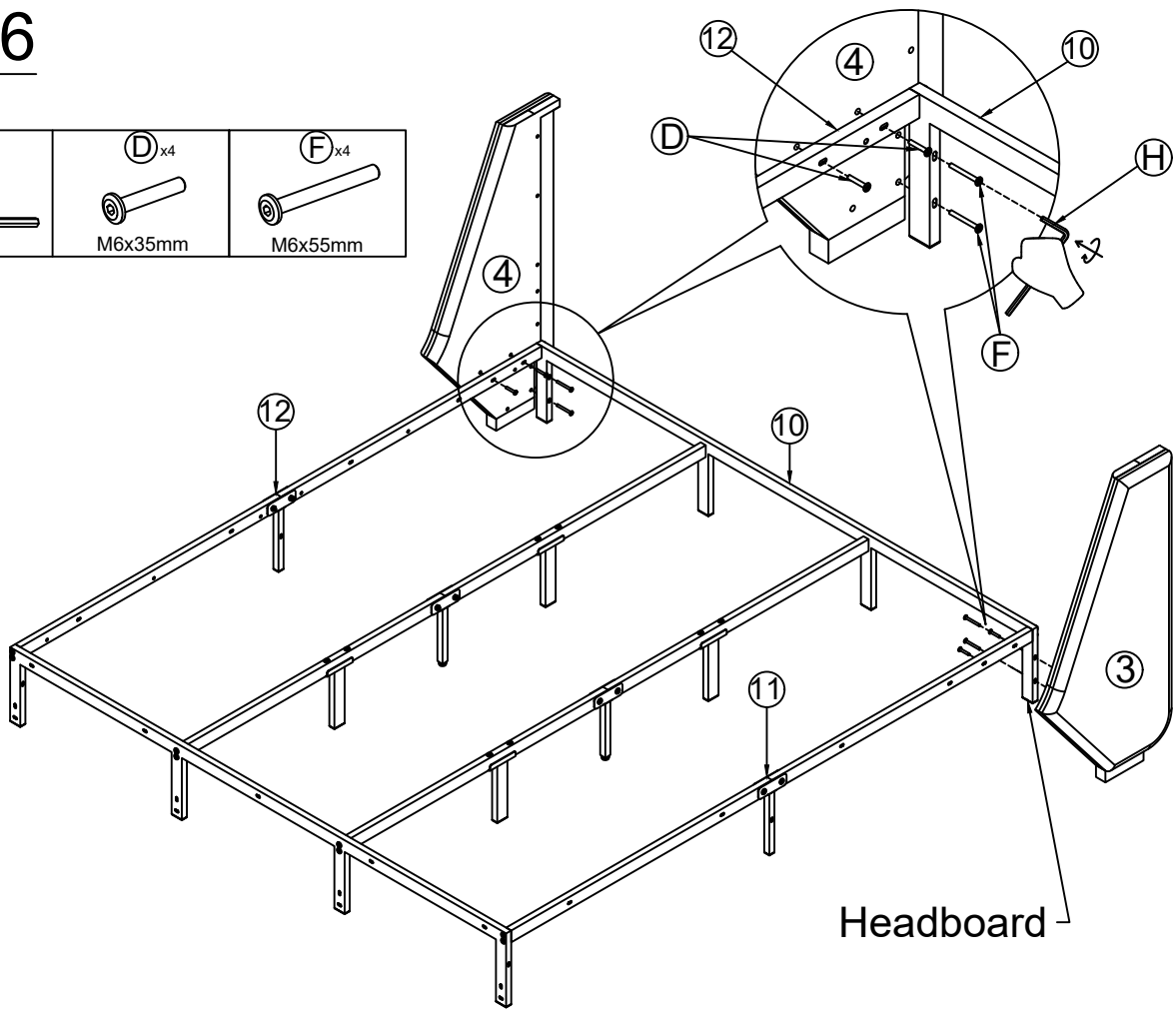
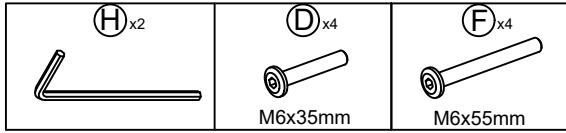
# Step 4



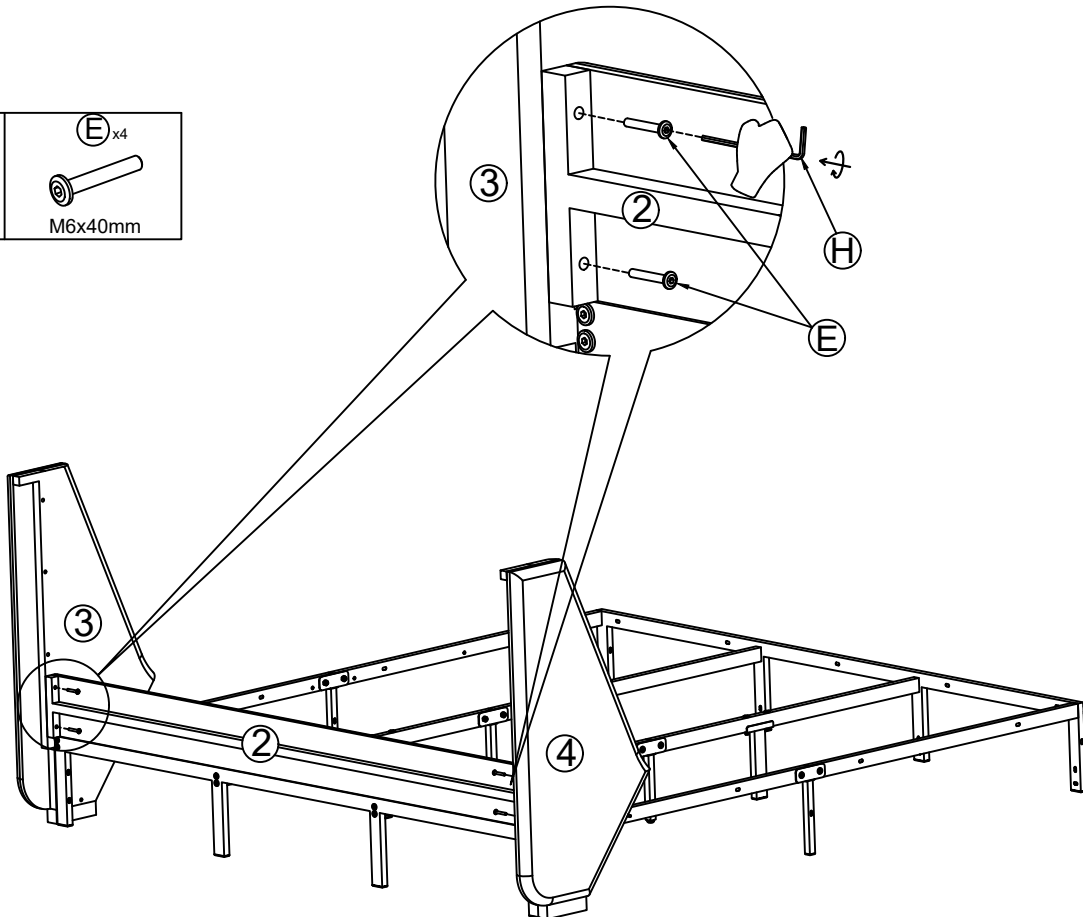
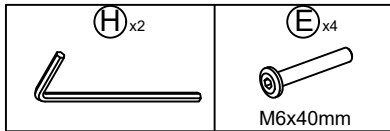
# Step 5



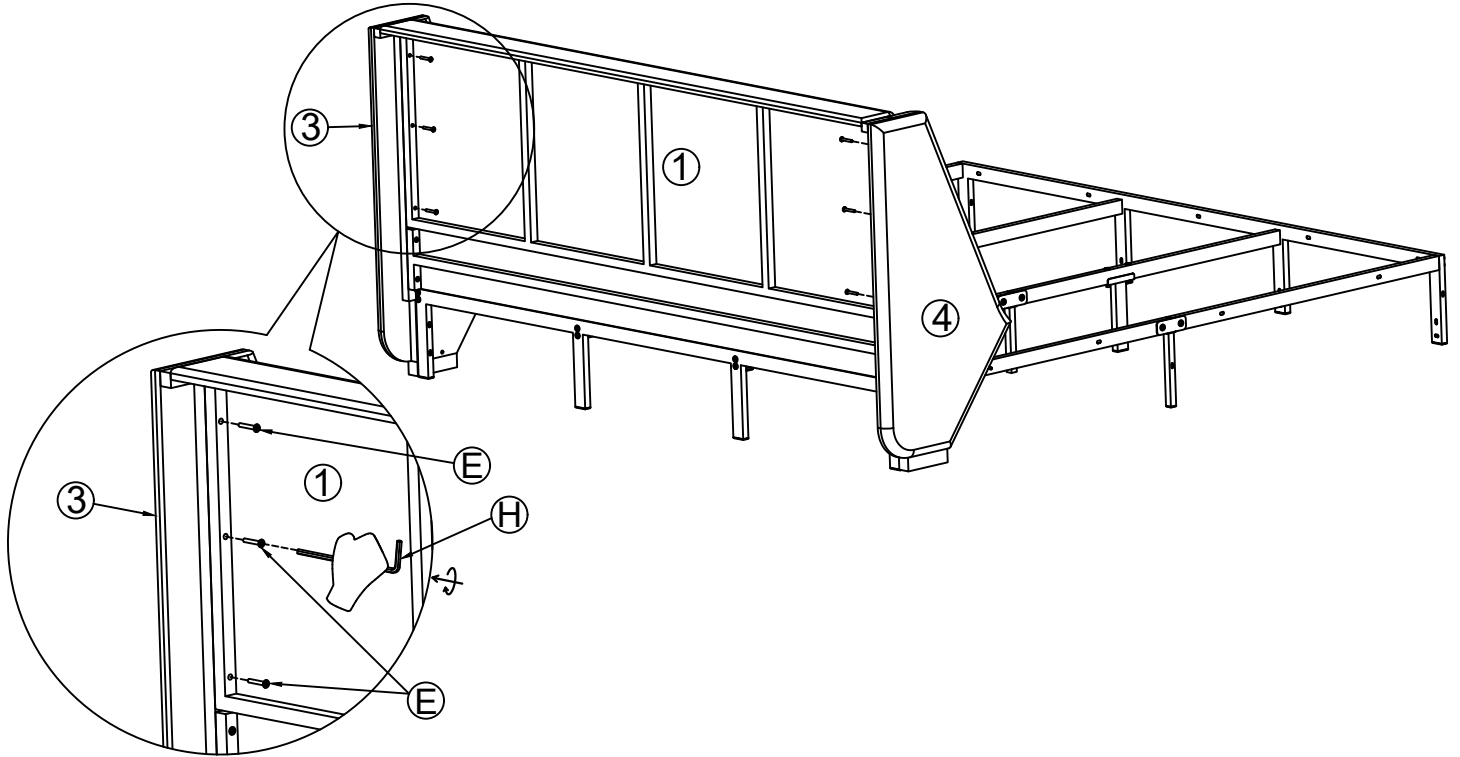
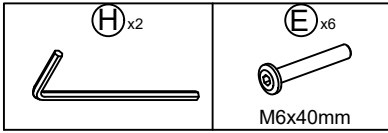
# Step 6



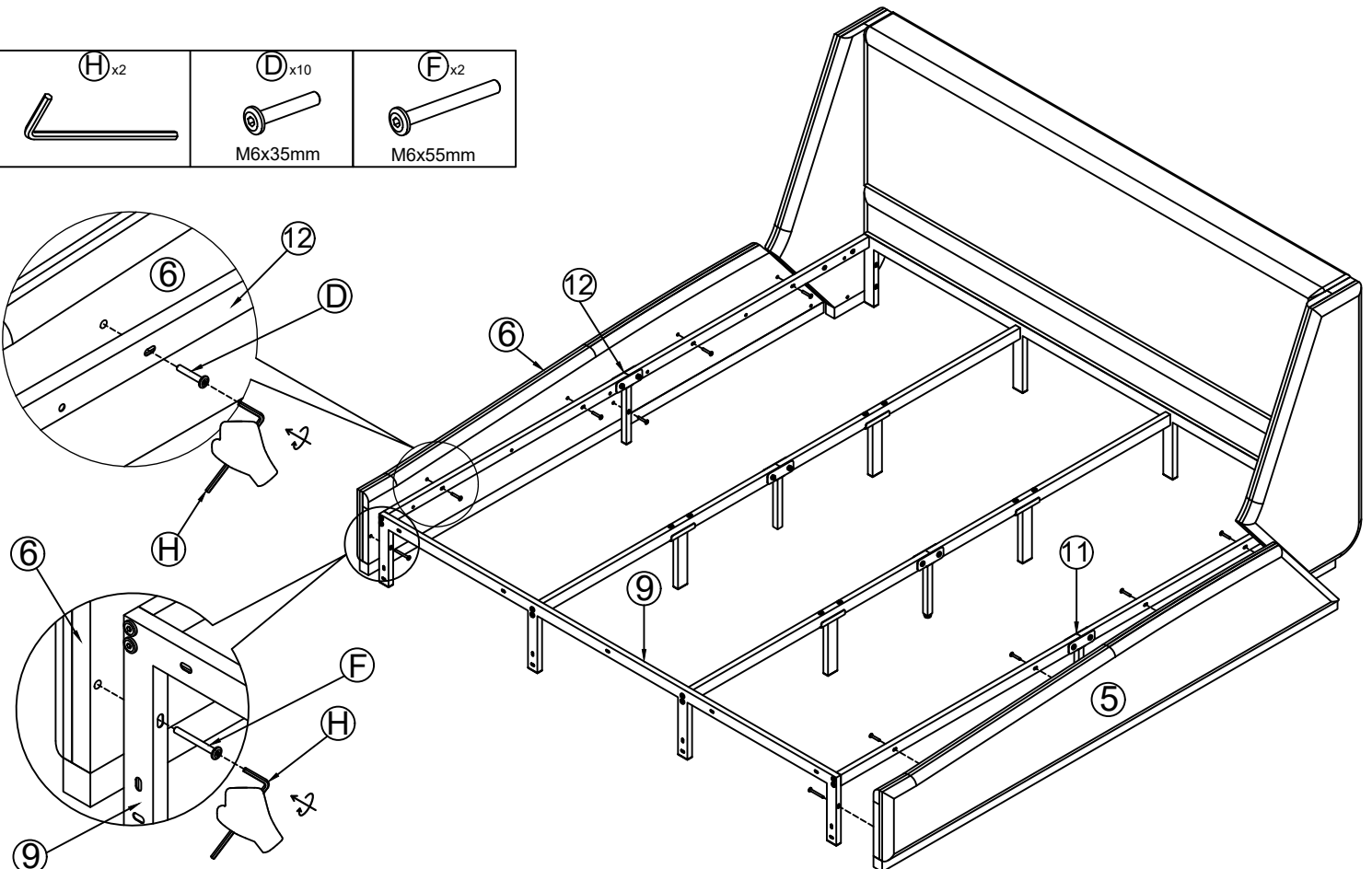
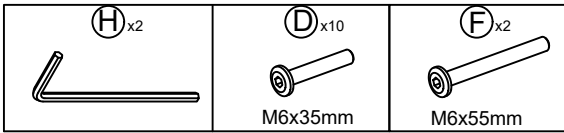
# Step 7



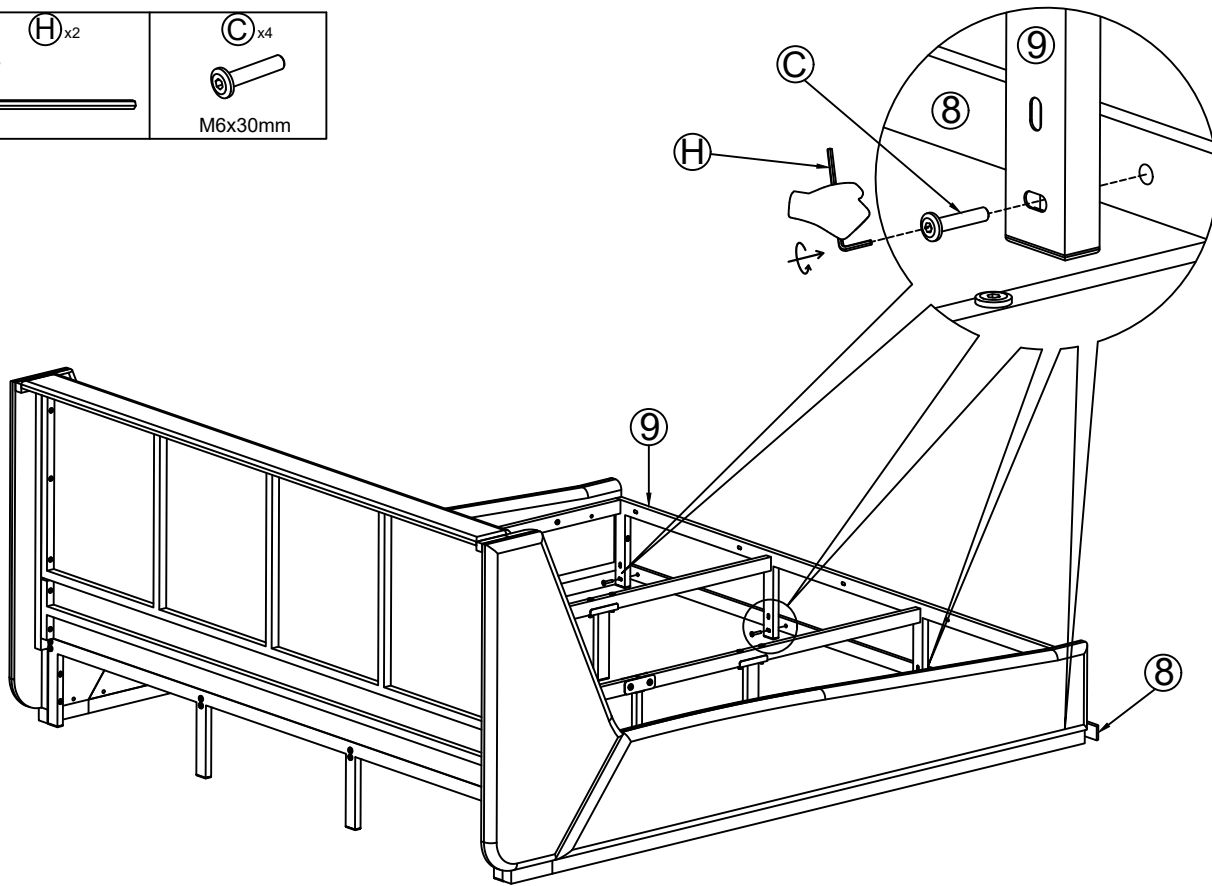
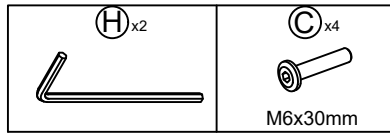
# Step 8



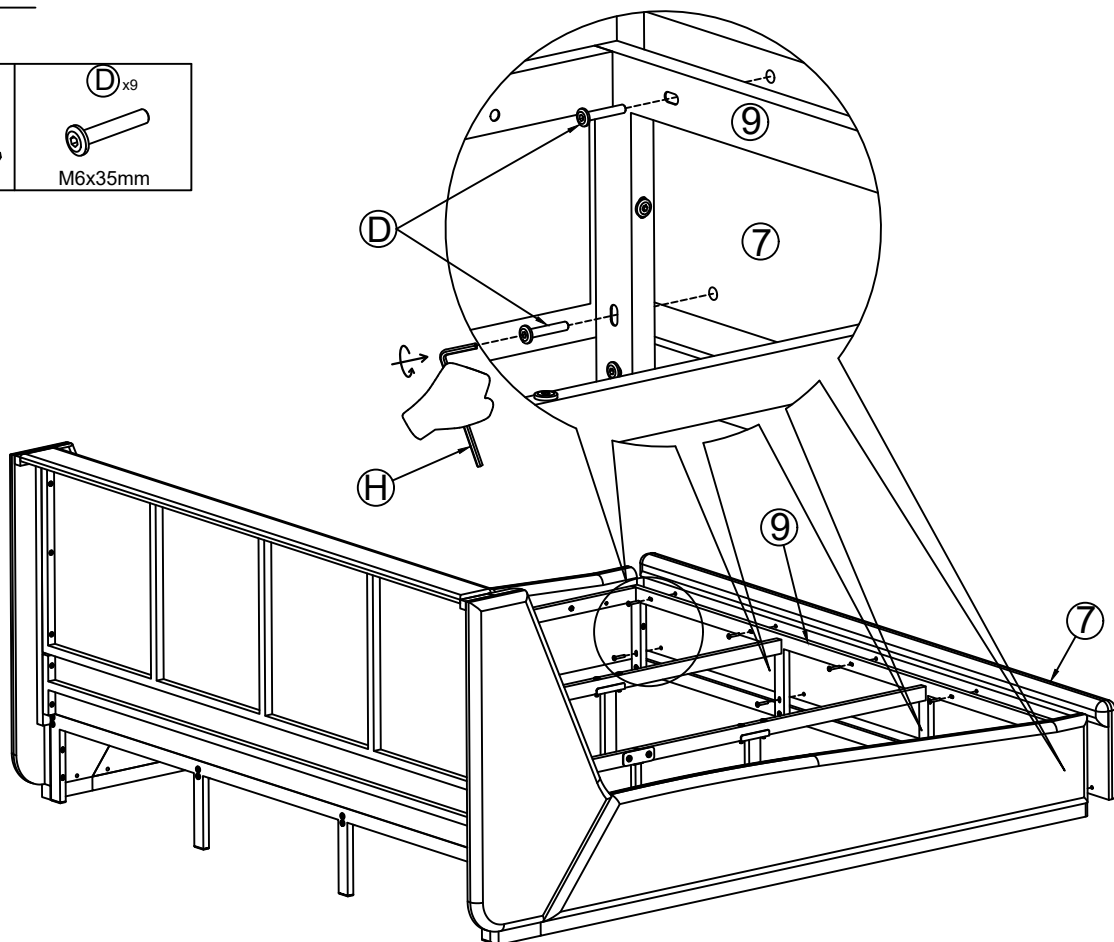
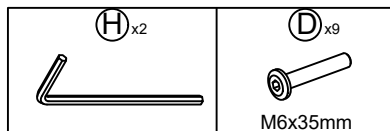
# Step 9



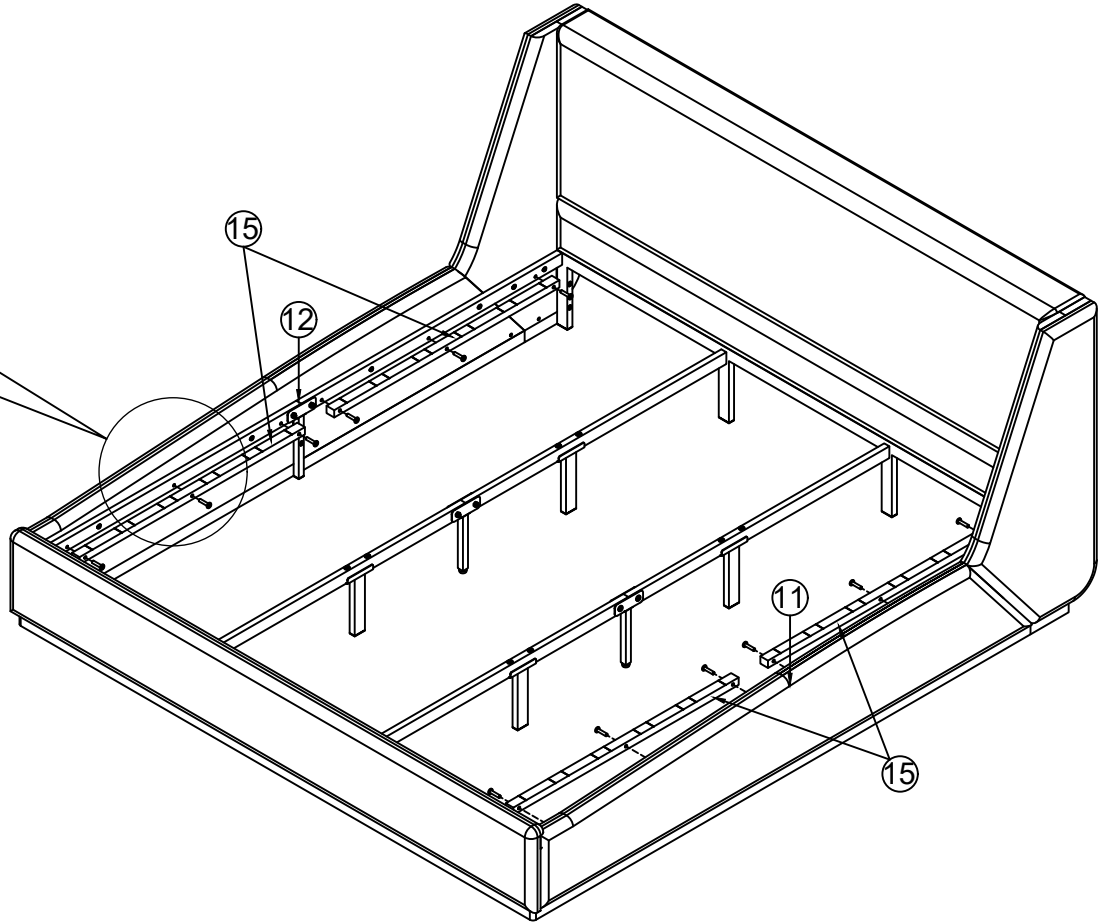
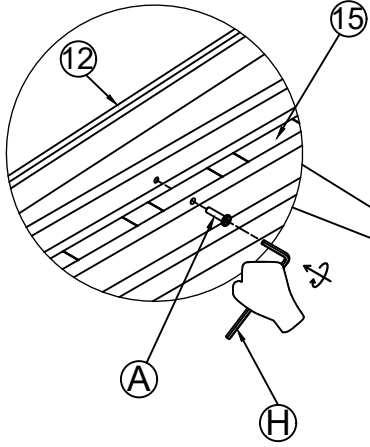
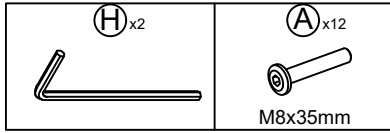
# Step 10



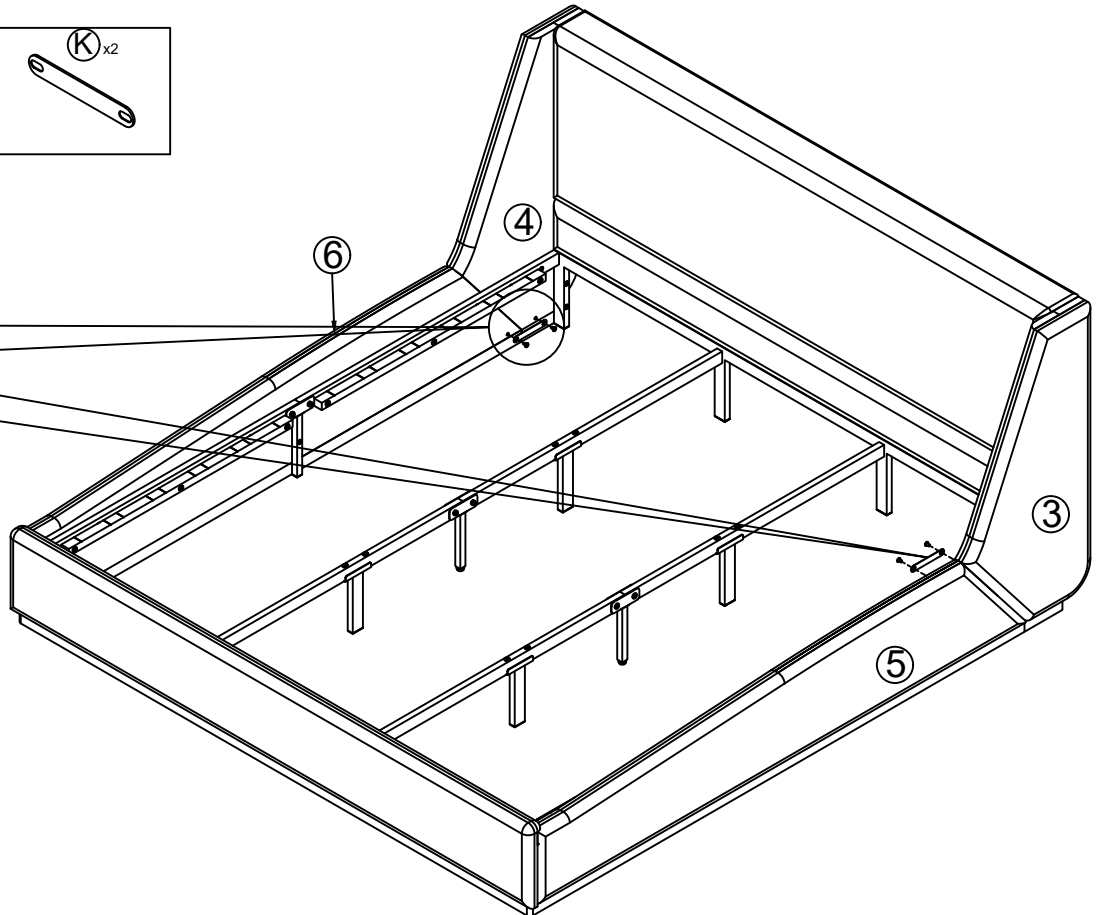
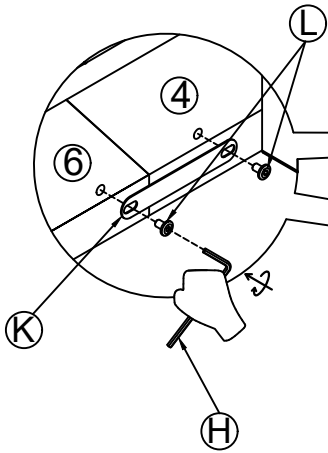
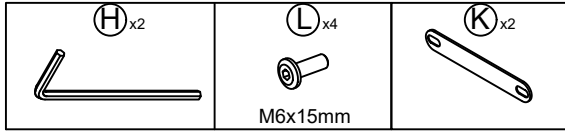
# Step 11



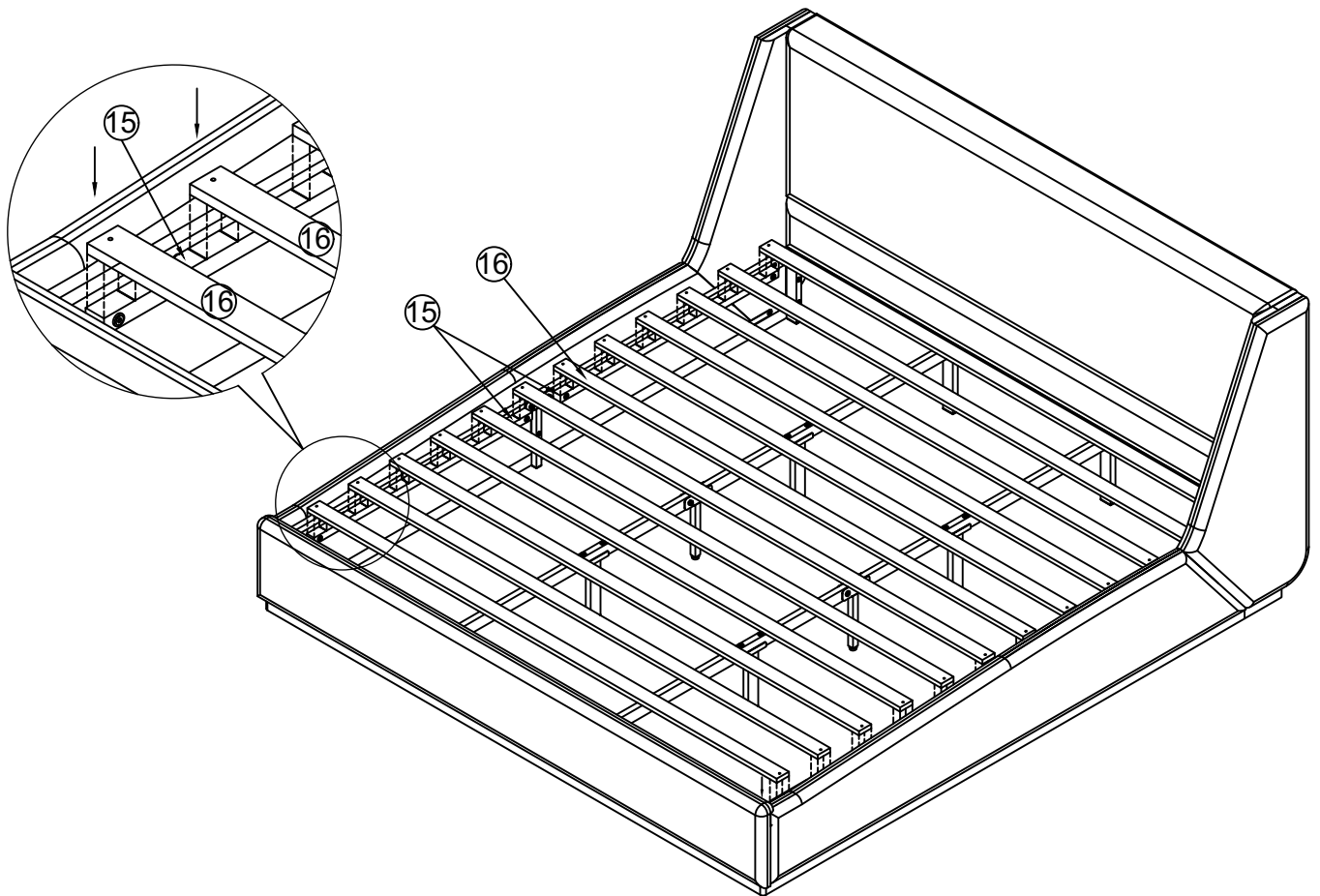
# Step 12



# Step 13

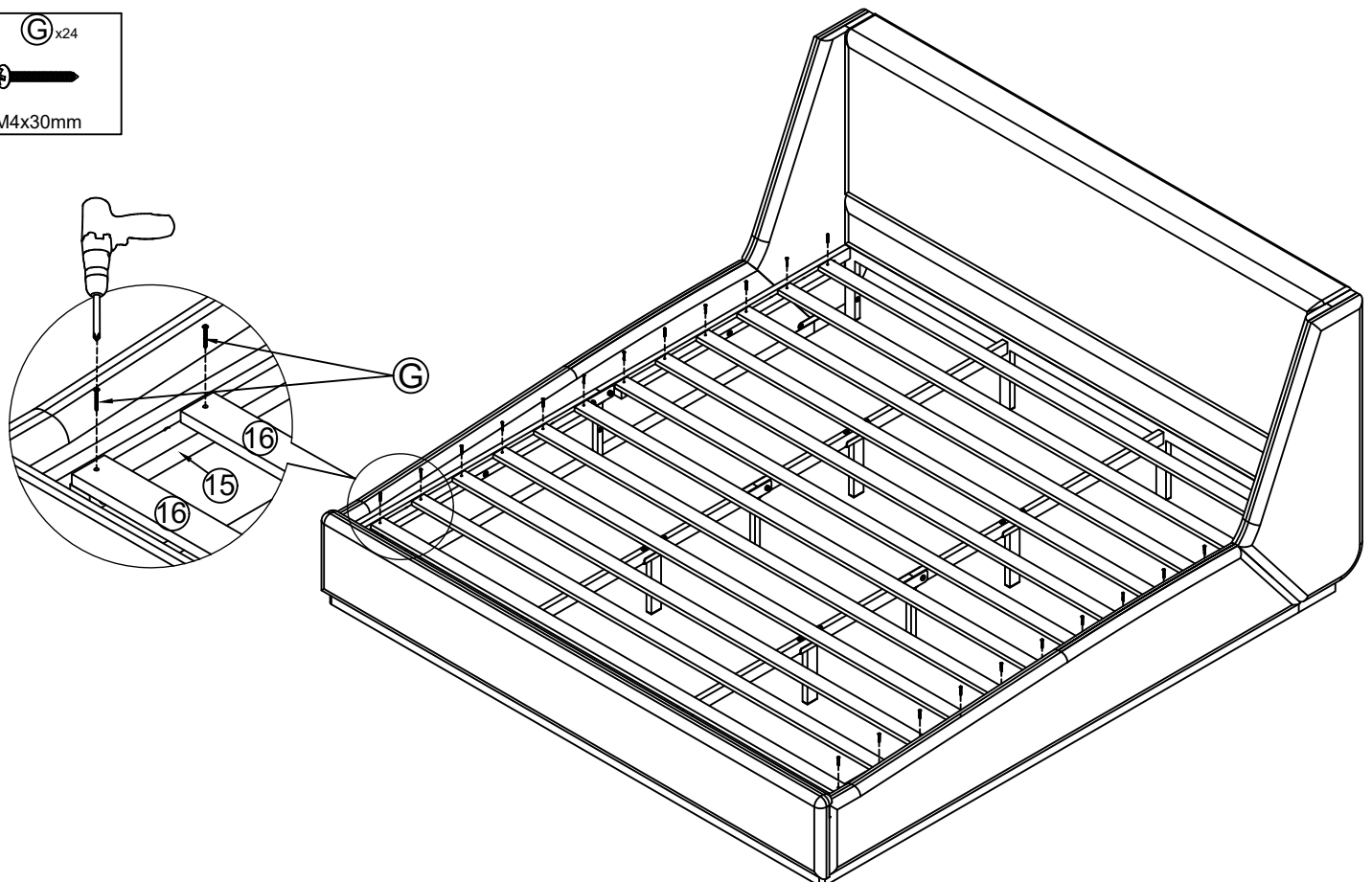
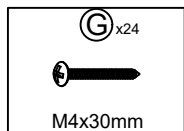


# Step 14



# Step 15

We suggest using drill machine to install " G " screws



# COMPLETE

