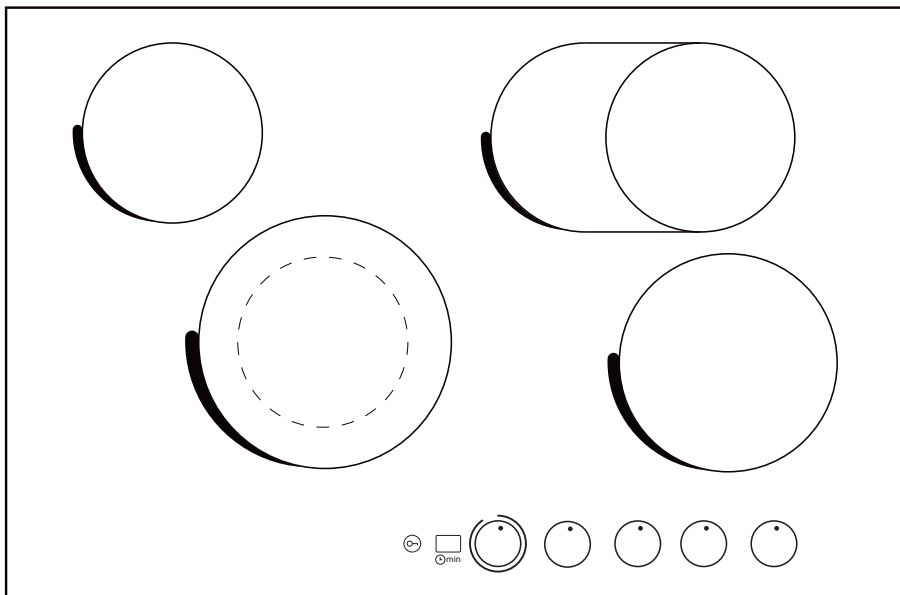


USER MANUAL

CERAMIC HOB

SKU: VH812



Mod. C43-M

Please carefully read this user's manual before the installation and operation of this product.

Contents:

IMPORTANT 1

**IMPORTANT PRECAUTIONS AND RECOMMENDATIONS
FOR THE USAGE OF CERAMIC HOB 1**

FIRST TIME USE 2

MODELS 2

TECHNICAL PARAMETERS 2

REQUIREMENTS 2

WARNING 3

INSTALLATION 4

OPERATION DIRECTION 5

CONTROL PANEL 5

CIRCUIT DIAGRAM 7

APPROPRIATE COOKWARE FOR CERAMIC BURNER 7

INAPPROPRIATE COOKWARE FOR CERAMIC BURNER 8

ELIMINATE THE FAULT 8

Dear customer,

Thank you for choosing VIVOHOME for your kitchen appliance. For your safety and for the correct operation of this appliance, please read these instructions carefully before installing and using the device. Please save this manual for future reference in case of operational issues.

IMPORTANT

1. After removing the appliance from the packaging, ensure that the item is not damaged. In case of any doubts with the product, please consult the supplier or a qualified engineer.
2. The packaging materials must be removed and placed out of reach of children to avoid danger. These materials should be handled and disposed of based on your local regulations.
3. Do not attempt to alter the technical features of the appliance, as this may result in dangerous accidents.
4. Whenever you decide to get rid of the appliance or replace it with a new one, before scrapping, we recommend you to make it inoperative and harmless to meet the health and antipollution regulations.

IMPORTANT PRECAUTIONS AND RECOMMENDATIONS FOR USING THE CERAMIC HOB

1. Do not touch the appliance with wet hand or wet feet.
2. Do not use the appliance with bare feet.
3. Do not let children or the disabled operate the appliance without direct supervision.
4. Disconnect the appliance from electric supply before carrying out any cleaning or maintenance operation.
5. Never try to remove the plug from the mains supply socket by pulling the cable.
6. Do not allow children to approach the glass of the hob while it is in use, as high temperature can be reached.
7. If the appliance breaks down or does not work properly, switch off the device and do not tamper with it. All repairs including those to the mains supply should be done by an approved service agent, and you should insist that only original components be used. Failure to follow the above advice can affect the safety of your appliance.

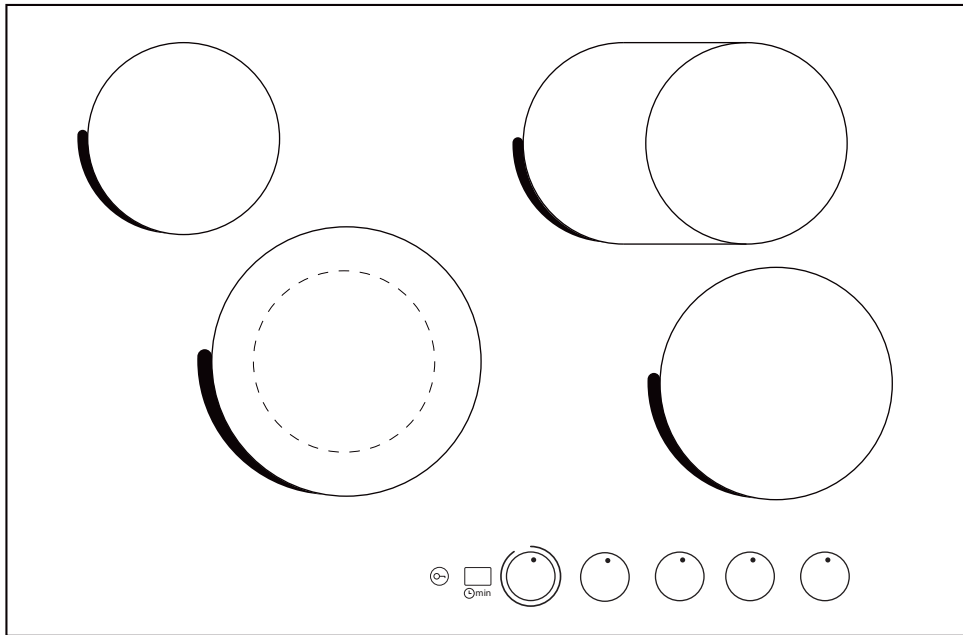
WARNING!

1. This The appliance can be used by children aged from 12 years and above and persons with reduced physical , sensory or mental capabilities or lack of experience and knowledge if they have been given supervision or instruction concerning use of the appliance in a safe way and understand the hazards involved. Children shall not play with the appliance. Cleaning and user maintenance shall not be made by children without supervision.
2. The appliance and its accessible parts become hot During use. Care should be taken to avoid touching heating elements inside the oven.
3. A steam cleaner should not be used.
4. Children less than 12 years of age shall be kept away unless continuously supervised.
5. If the surface is cracked, switch off the appliance to avoid the possibility of electric shock.
6. Care should be taken to avoid touching heating elements.
7. Unattended cooking on a hob with fat or oil can be dangerous and may result in fire. NEVER try to extinguish a fire with water, but switch off the appliance and then cover flame e.e. with a lid or a fire blanket. Warning: Danger of fire: do not store items on the cooking surfaces.
8. In order to prevent accidental tipping of the appliance, foe example by a child climbing onto the open oven door, the stabilizing means must be installed. Refer to the instruction for installation.
9. Accessible parts may become hot during use. Young children should be kept away.
10. The appliance is not intended to be operated by means of external timer or separated remote-control system.
11. Means for disconnection must be incorporated in the fixed wiring in accordance with the wiring rules.

FIRST TIME USE













When you use the device for the first time there may be emanations of fumes or odors. This is normal. Because of the adhesive insulating panel around the hot plate, heating will cause the adhesive to dissolve into a harmless fume.

MODELS



C43-M

TECHNICAL PARAMETERS

Items	Power supply	Hot plate rated power	Outside dimension	Installation dimension	Net weight				
C43-M	220V, 60Hz	<table border="0"> <tr> <td> 1.2KW</td> <td> 2.0KW (0.9KW+1.1KW)</td> </tr> <tr> <td> 2.4KW (1.2KW+1.2KW)</td> <td> 1.8KW</td> </tr> </table>	 1.2KW	 2.0KW (0.9KW+1.1KW)	 2.4KW (1.2KW+1.2KW)	 1.8KW	750X510X100mm	680x490mm	10.0Kg
 1.2KW	 2.0KW (0.9KW+1.1KW)								
 2.4KW (1.2KW+1.2KW)	 1.8KW								

REQUIREMENTS

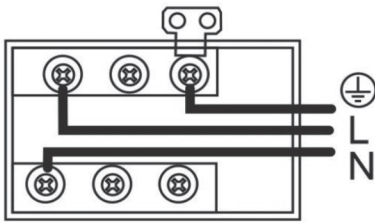
Hobs which have suitable voltage and frequency require independent and correct connection with power supply circuit. The circuit must install complete breaker and fuse and conform to requirements of rated power which marked on the nameplate (nameplate is located the side of bottom shell)

WARNING!

Shock Hazard

1. The appliance must be grounded.
2. Before permanently earthing the appliance, it should not be connected to the power supply.
3. Before conducting any electricity, disconnect the power source.
4. This appliance must connect with an earthed permanent metal electric system, or its earth terminal or its wire connects with a grounding connector.
5. Do not allow the gaspipe line to be earthed.

Once against above requirements, it may cause personal injury or electric shock.



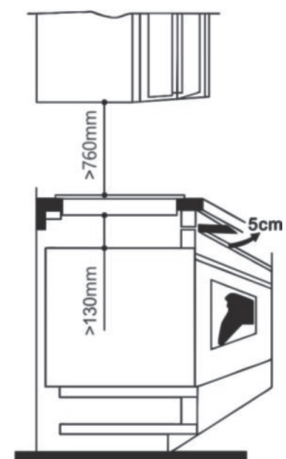
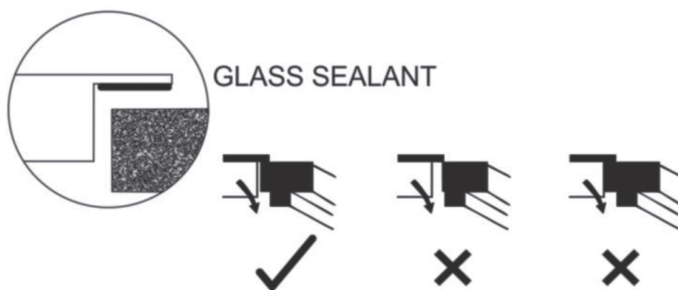
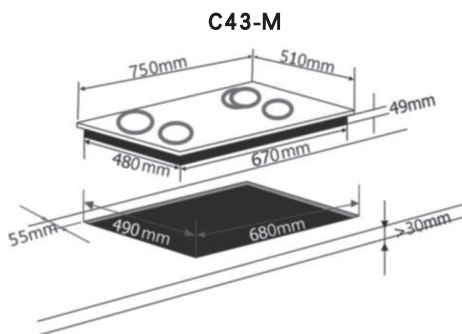
Mod. / C43-M

3X4mm² 32A

INSTALLATION

IMPORTANT

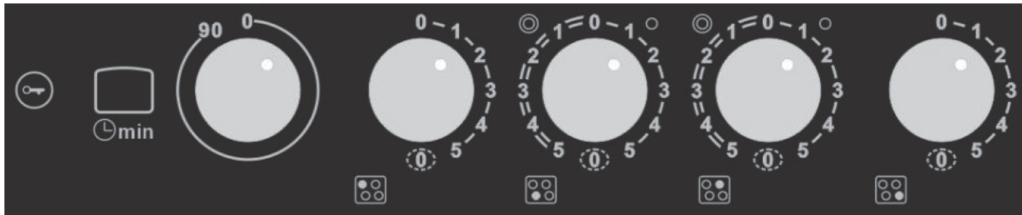
1. The appliance should be installed and debugged by a qualified installation technician.
2. The appliance should be earthed. The rated power of the power supply, plug and socket should be the same as the rated power on the technical nameplate. The thickness of the power's connection must be suited to hob's power. There's should be one all-pole disconnect device with a contact distance of 3mm.
3. The appliance must be installed in the fireproof cabinet, and the cabinet wall should not be higher than the working face and can endure the temperature 80°C more than the room temperature.
4. Don't install the appliance near the matter which is not fireproof such as purdah.
5. The power line should be connected after the appliance have been installed. Brown line – live wire, blue line – null line, yellow-green line – earth.
6. The manufacturer declines all responsibility for damage resulting from incorrect earthed , incompliance with electrical regulations and national safety requirements.
7. Drill the hole on the cook-tops as following drawings, install the hob, make sure it is firm enough. (unit: mm)
8. Do not put the combustibile and explosive materials close to the appliance.



OPERATION DIRECTION

After installing, inserting the plug into the socket steadily and safely.
Hot plate will heat the food in a constant temperature during it is working.

CONTROL PANEL



Mod. C43-M




CHILD LOCK

Use to prevent unsupervised operation of the hob by little children. The Child Lock indicator light will show on display screen, and the hob can not be operated while the Child Lock is set.

Lock manually – unlock manually:

Lock manually - Press and hold the  button for 1 seconds, lock indicator light turns on.


Unlock manually - Press and hold the  button for 1 seconds until the lock indicator light is turned off.

Lock automatically - unlock manually:

Lock automatically -

- After plugging in, the CHILD LOCK will be set automatically.
- When timer is not set, after 1 minute without operating, the CHILD LOCK will be set automatically.

(This function is to prevent unsupervised operation of the hob by little children, after users leave the cooking hob. Please do not think it is a malfunction.)

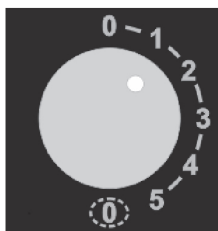
Unlock manually - Press and hold the  button for 1 seconds until the lock indicator light is turned off.

TURN ON/OFF THE BURNER POWER & SELECT THE POWER & SELECT THE HEATING CIRCLES

When plugging in and the child lock is on unlocking status, rotate the knob to turn on/off the burner.

When turning on the burner, the burner indicator light is turned on.

When turning off the burner, the burner indicator light is turned off.



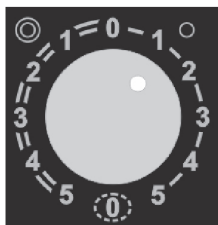
1 circle burner

Rotate the knob to select different power, or turn off the burner.

* 0 / ① position --- turn off the burner.

* 1, 2, 3, 4, 5 position --- turn on the burner, and power level 1(min level), 2, 3, 4, 5(max level).

Tips: ① position is near level 5. Rotate knob from ① to 5 = Boost into max power level.



1 circle / 2 circles burner

Rotate the knob to select different circle mode / different power, or turn off the burner.

* 0 / ① position --- turn off the burner.

* ② 1, 2, 3, 4, 5 position --- turn on the burner in 1 circle mode, and power level 1(min level), 2, 3, 4, 5(max level).

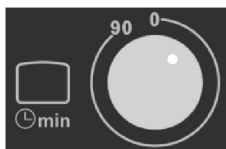
* ③ 1, 2, 3, 4, 5 position --- turn on the burner in 2 circles mode, and power level 1(min level), 2, 3, 4, 5(max level).

Tips: ① position is near level 5. Rotate knob from ① to 5 = Boost into max power level.



SET THE TIMER

When the burner power is turned on and the child lock is on unlocking status, rotate the timer knob



from 0 position to any other position, to activate the timer, you can rotate to set the timer (from 3 minute to 90minutes), and the window will show the timer time accordingly.

There are 11 kinds of fixed time (minutes) 3 → 5 → 7 → 10 → 15 → 20 → 30 → 45 → 60 → 75 → 90.

Tips: 0 position is near 90minutes . Rotate knob from 0 to 90 = Boost into max fixed time .

After setting the timer, the timer starts working immediately .

During timer cooking, if you want to change the timer time, you can rotate the knob into the time position directly, the new timer start working immediately .


After the time finished, there is a beep alarm for 6seconds, the burners stop working and their indicator lights turned off.

For next burner cooking, you need rotate the burner knob 1-2 times to activate the burner (until its indicator light is turned on.)

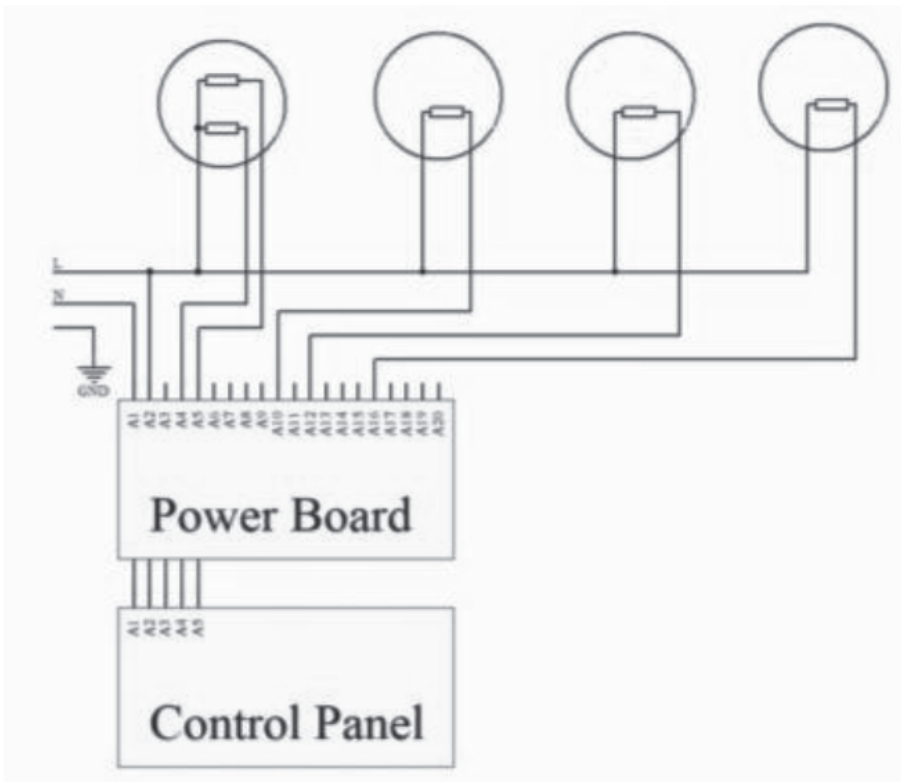
(This function is for safety. Please do not think it is a malfunction.)



WASTE HEAT DIRECTION

- After the heat plate stops working, if the temperature for the surface of panel is higher than 80°C, it will show "H" (High temperature. Please do not touch the hot burner area) . 
- After the heat plate stops working, if the temperature for the surface of panel is lower than 80°C, It will be no display.

CIRCUIT DIAGRAM



Mod. C43-M

APPROPRIATE COOKWARE FOR CERAMIC BURNER

- All pot made of resisting high temperature materials, such as, stainless steel, enamel, iron, ceramic, copper, glass, clay pot.



Enamel Iron pot



Aluminum pot



Cauldron pan



Iron pot



Deep-fry pan



Glass/Ceramic pot



Iron Plate

INAPPROPRIATE COOKWARE FOR CERAMIC BURNER

- concave, convex or rounded bottom pots, base diameter<12cm, pots with legs, heat-resistant container.



rounded bottom pots



base diameter<12cm



Pots with leg



Pots with leg



heat-resistant container

ELIMINATE PROBLEMS

Malfunction	Eliminating
Hob doesn't work	How to address the problem. Check the circuit connection. Check the fuse and rated current so that it matches installation. Make sure the power supply plug is connected correctly with the socket.
Lamp is still alight after closing the hob	The lamp will turn off when the temperature of the surface is lower than 60 degrees C.
The hob smokes when turned on	This is normal during the first use. Be sure to clean the plate properly after each use.
Power line damage	Go to the nearest service center to repair the element.

NOTE:

To continuously improve its products, VIVOHOME reserves the right to modify this information without prior notification.

Please contact customer service via support@vivohome.com with any questions, comments, or concerns. Thank you for using VIVOHOME products in your home!

**Thank You For Purchasing From
VIVOHOME**

✉ support@vivohome.com

www.vivohome.com

MADE IN CHINA