

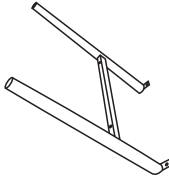
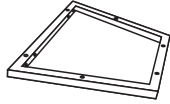
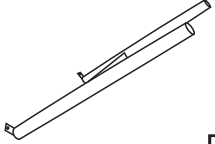






The four black plastic feet are adjusted, you can turn them and adjust its height to help to make the chair stable

| | | |
|--|--|---|
|  Ax1 |  Bx1 |  Cx1 |
|  Dx1 |  Ex1 |  M6x20mm Fx4 |
|  M6x50mm Gx17 |  M6x16mm Hx17 |  5# Ix1 |