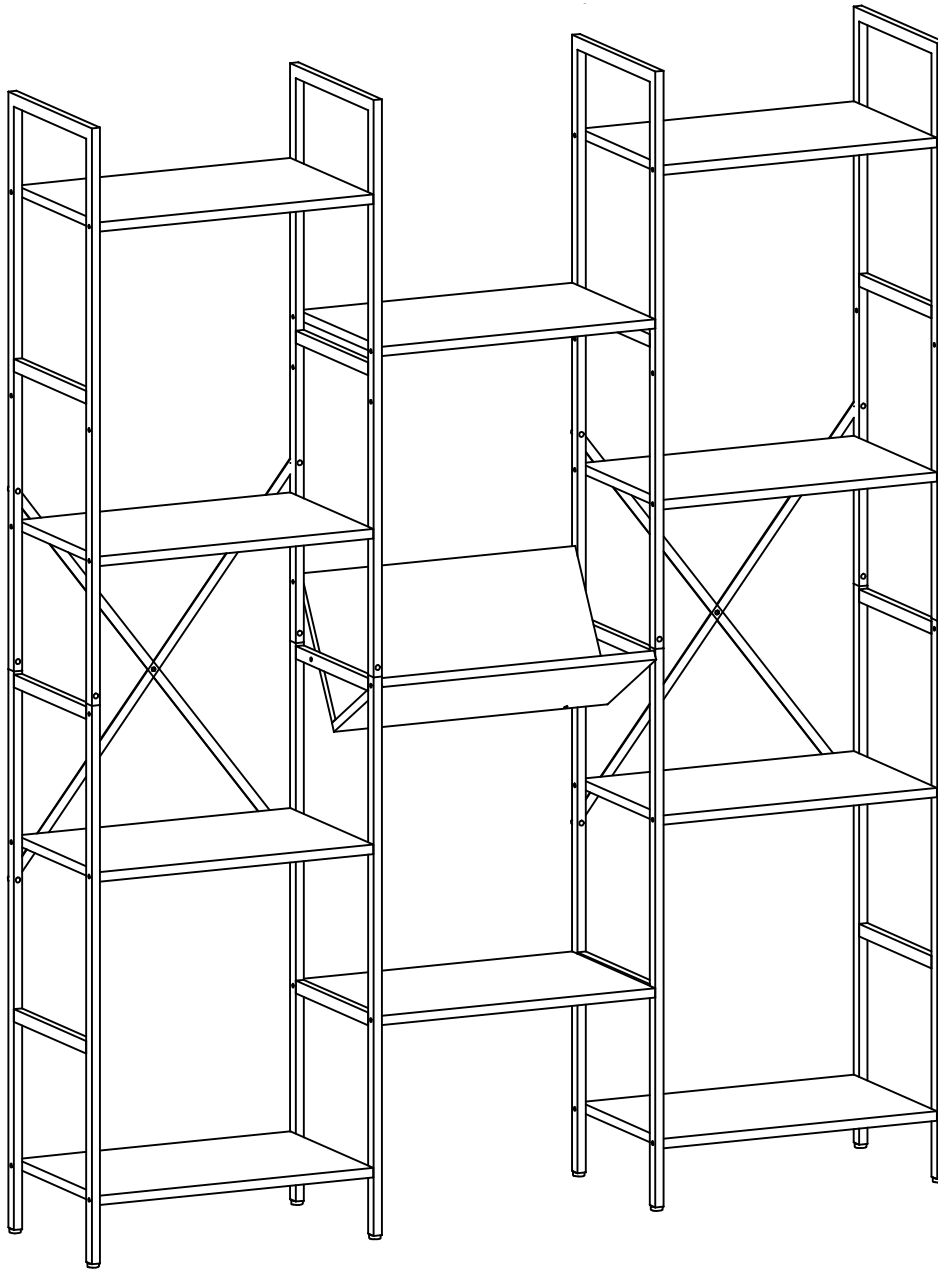


# Assembly Instruction



## Instruction Manual

Thank you for shopping with us!

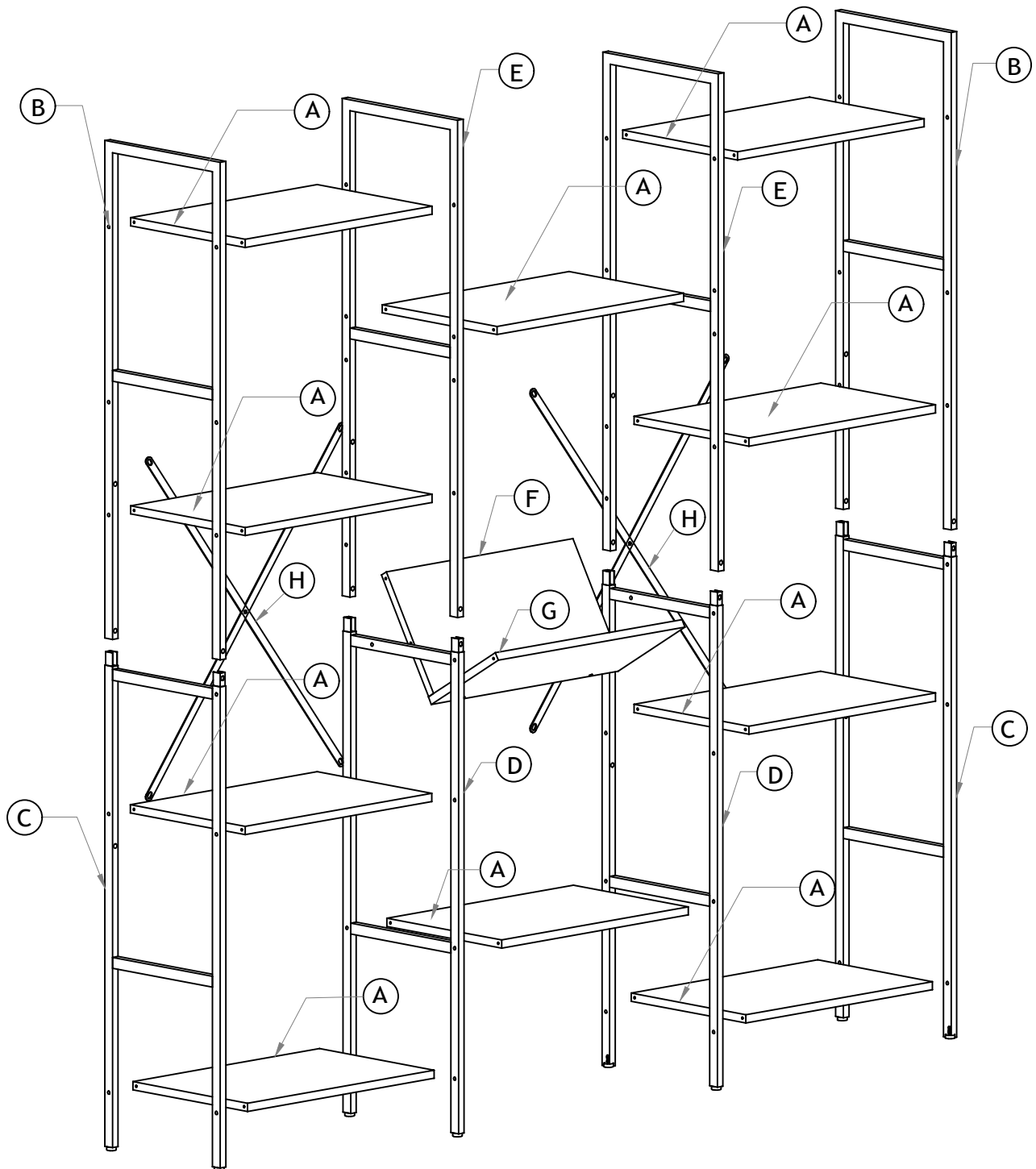
We appreciate your purchase and are ready to be at your service!

If you find parts missing, broken, or hard to put together or when you are not satisfied or have any valuable suggestions, please do not hesitate to contact us first!

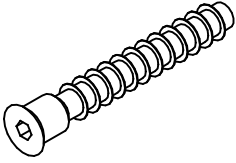
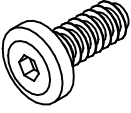
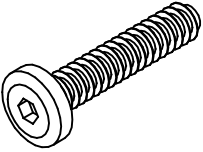
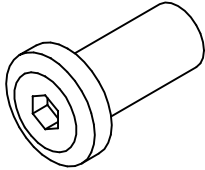
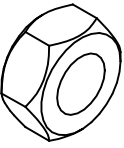
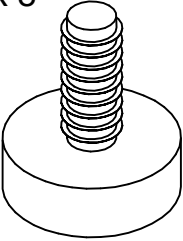
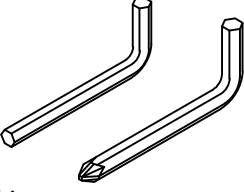
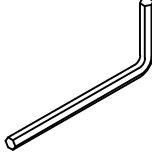
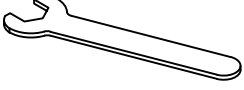
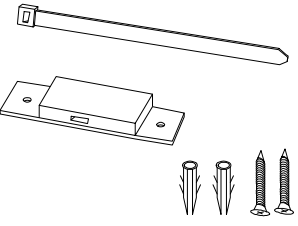
We will definitely give you a satisfactory solution or answer then!

**COMPONENTS ID Nr.**

Part Nr.	Qty	Part Nr.	Qty	Part Nr.	Qty
A	10pcs	F	1pcs		
B	2pcs	G	1pcs		
C	2pcs	H	4pcs		
D	2pcs				
E	2pcs				



# HARDWARE LIST

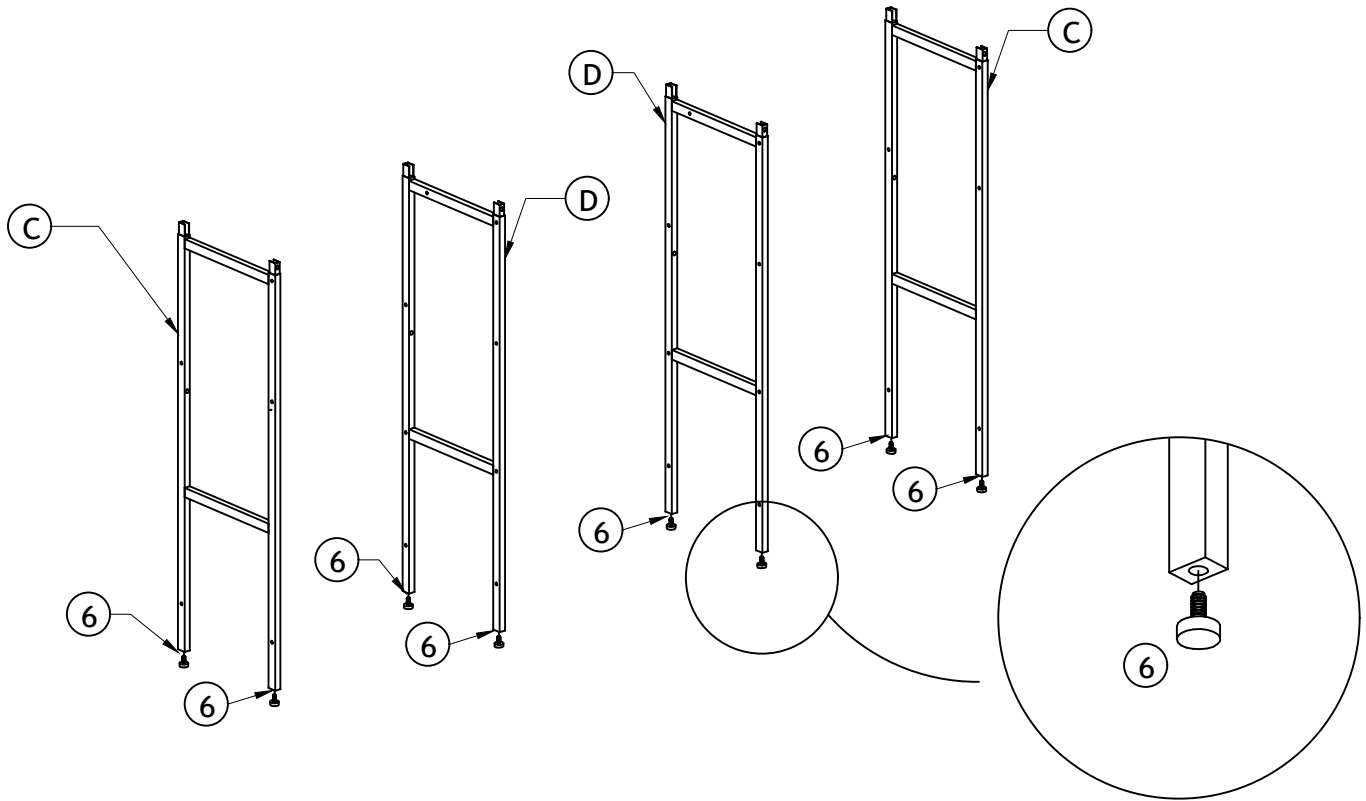
<p>① x 49</p>  <p>D5x50mm</p>	<p>② x 11</p>  <p>M6x12mm</p>	<p>③ x 8</p>  <p>M6x25mm</p>	<p>④ x 8</p>  <p>6x15</p>
<p>⑤ x 11</p>  <p>M6</p>	<p>⑥ x 8</p>  <p>#4</p>	<p>⑦ x 1</p>  <p>#4</p>	<p>⑧ x 1</p>  <p>#3</p>
<p>⑨ x 1</p> 	<p>⑩ x 2</p> 		

**PRODUCT ASSEMBLY**

1



⑥ x 8



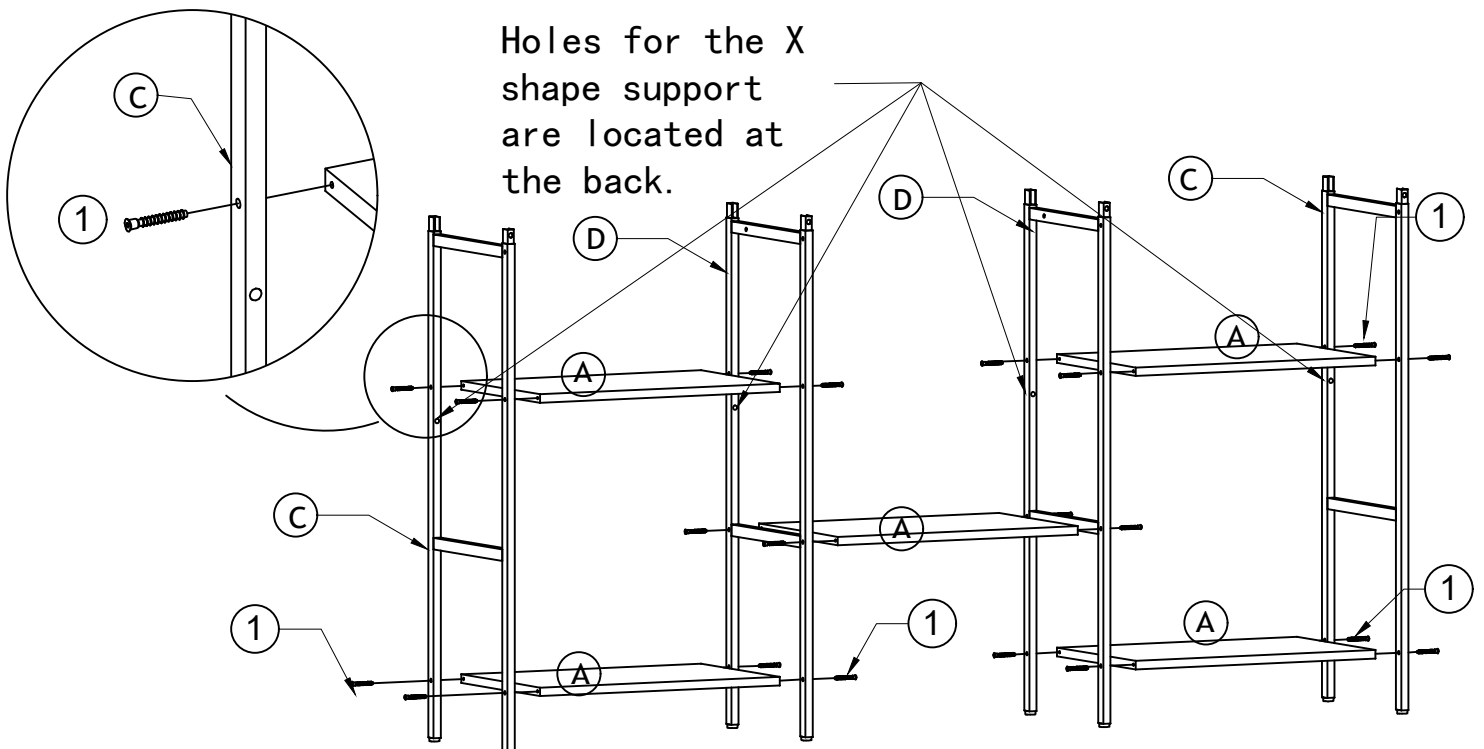
2

D5x50mm



① x 20

Holes for the X  
shape support  
are located at  
the back.



# PRODUCT ASSEMBLY

## 3

M6x25mm

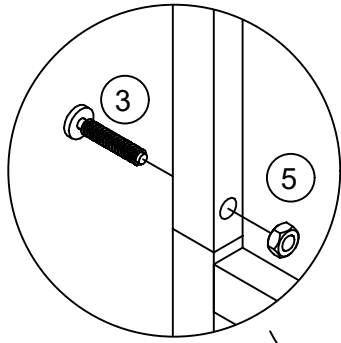


3 x 8

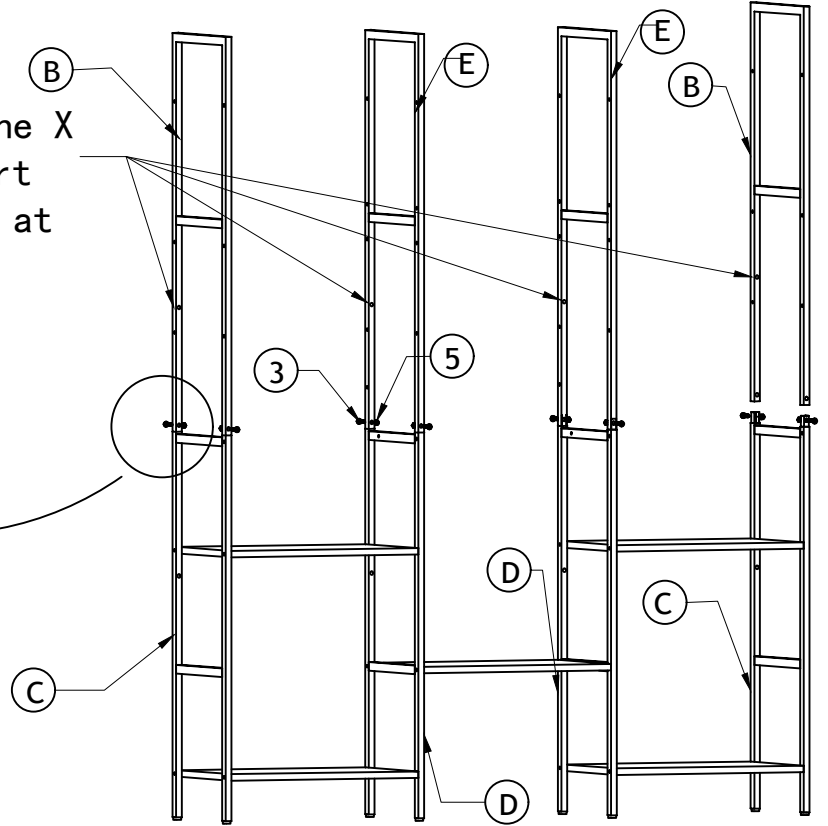
M6



5 x 8



Holes for the X shape support are located at the back.

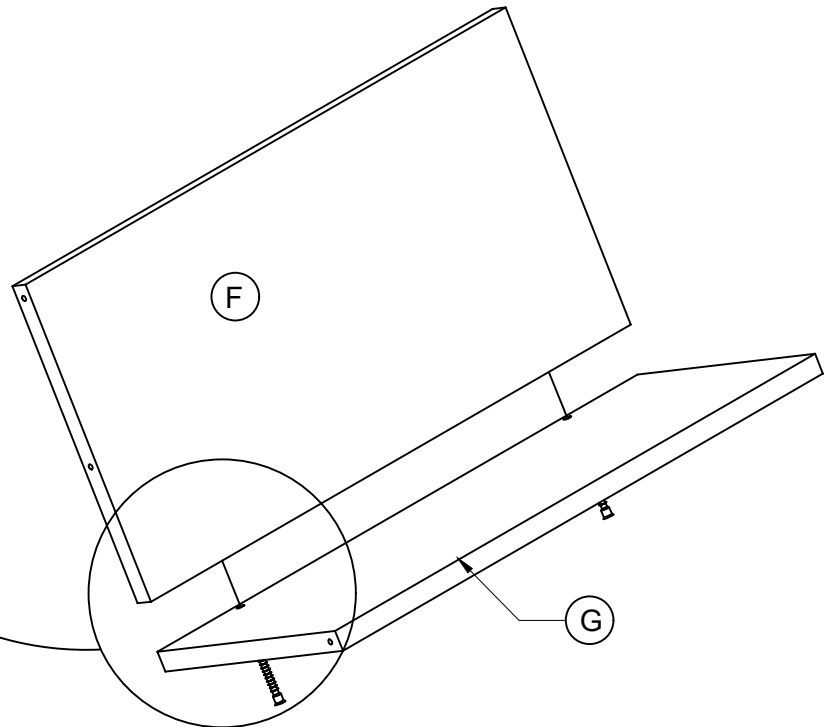
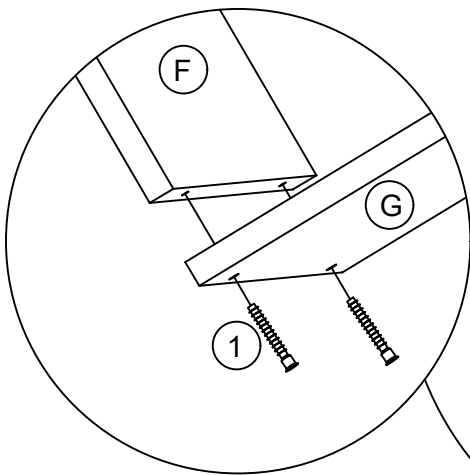


## 4

D5x50mm



1 x 2



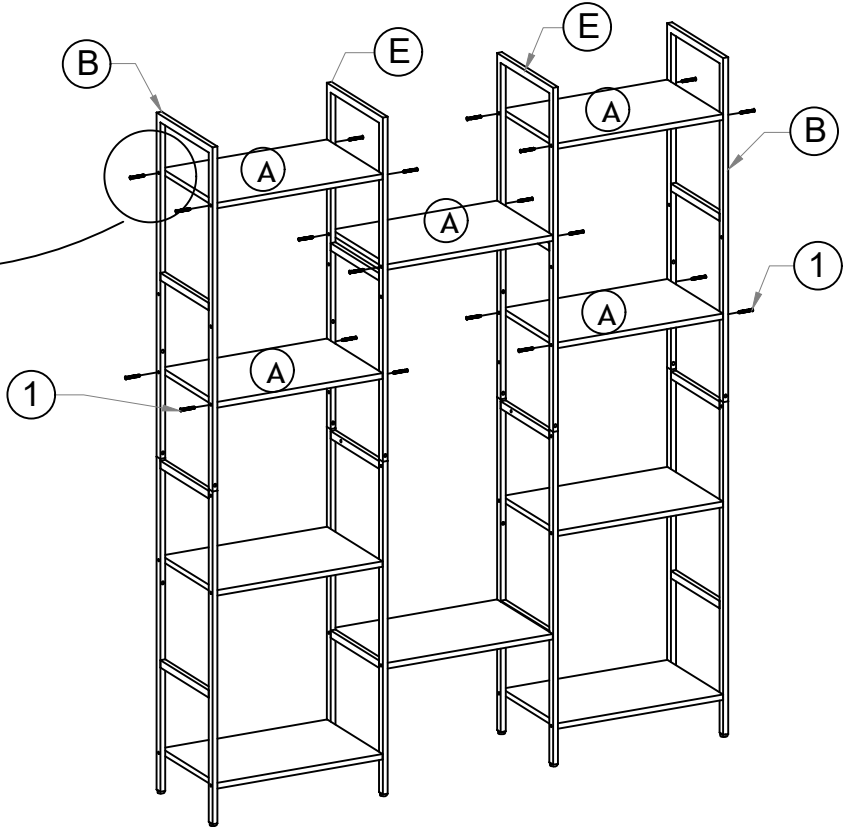
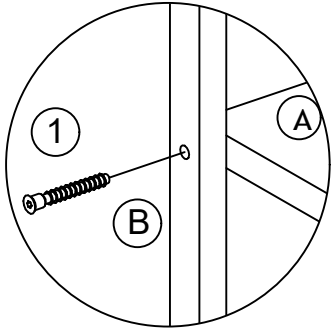
**PRODUCT ASSEMBLY**

5

D5x50mm

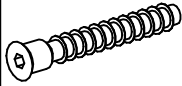


① x 20

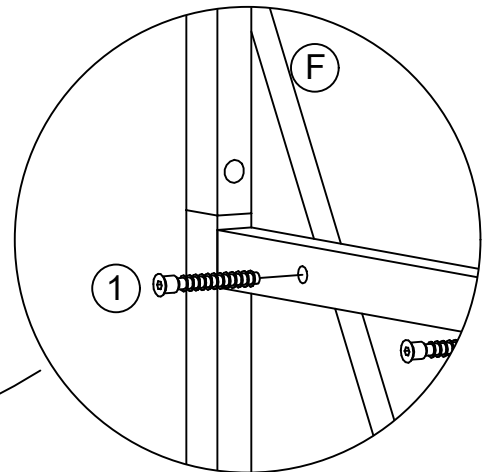
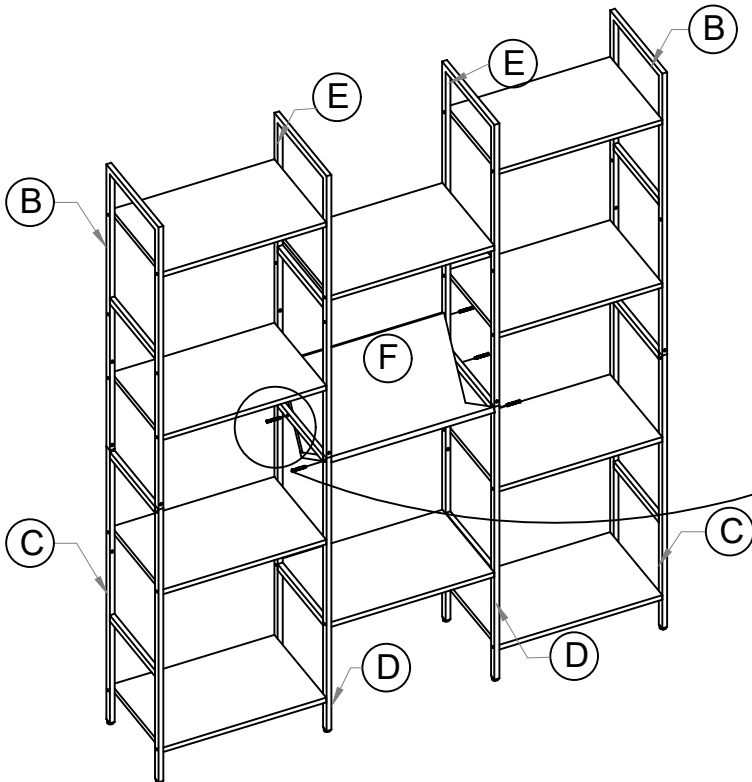


6

D5 x50mm



① x 6



# PRODUCT ASSEMBLY

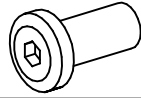
## 7

M6x12mm

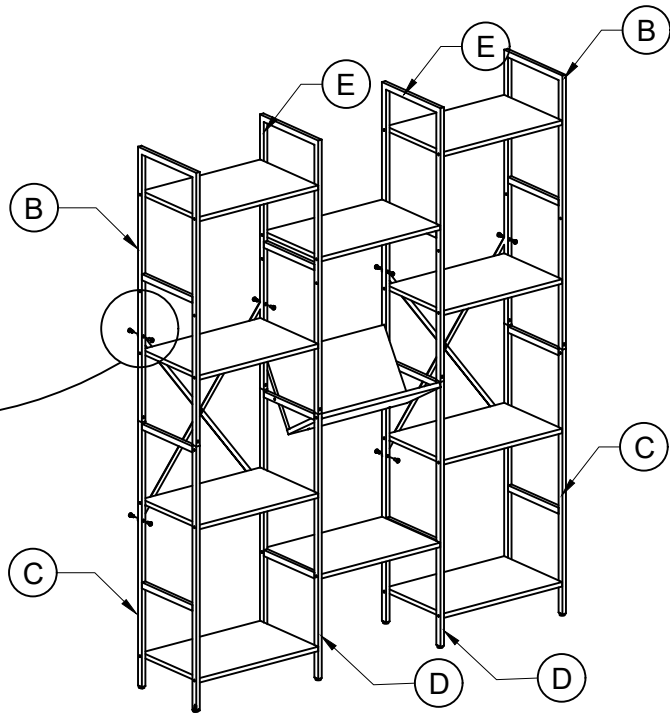
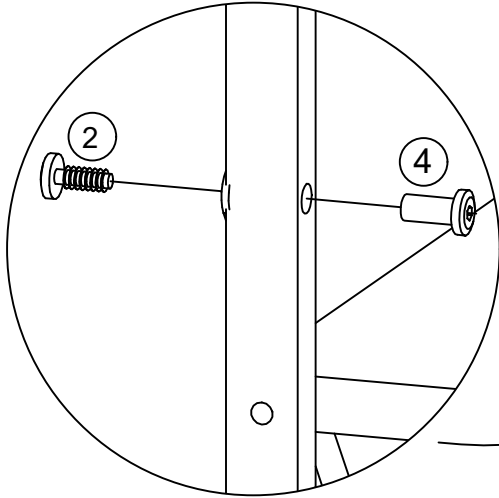
6x15



2 x 8



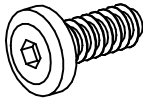
4 x 8



## 8

M6x12mm

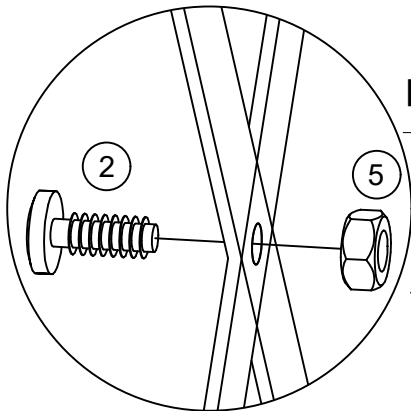
M6



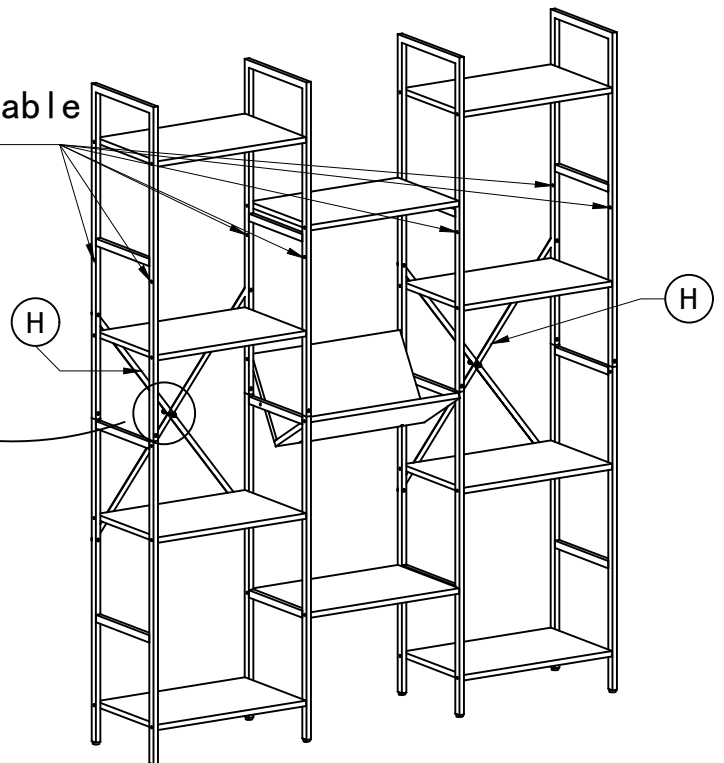
2 x 2



5 x 2



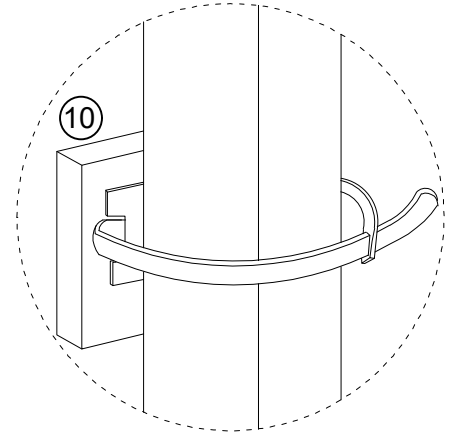
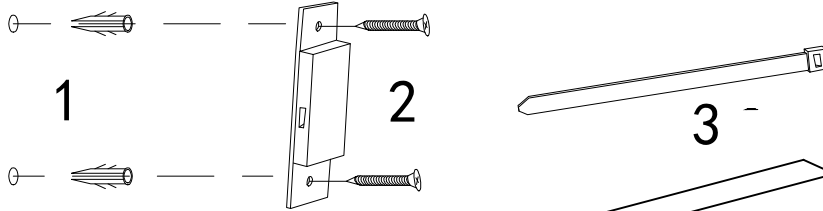
Height adjustable



9



WALL



WALL

