

ASSEMBLY INSTRUCTIONS

MODEL: 838-02 GRIFFIN SIDE CHAIR (LIGHT OAK)

Please read instructions carefully

Remove all wrapping materials, staples and packing straps from the carton.

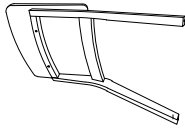


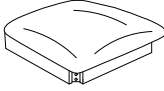




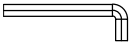
Refer to Parts List and Hardware List and ensure they are complete before you start assembling.

Place all wooden parts on a clean, flat and soft surface (e.g carpet or rug) to prevent parts from being scratched.

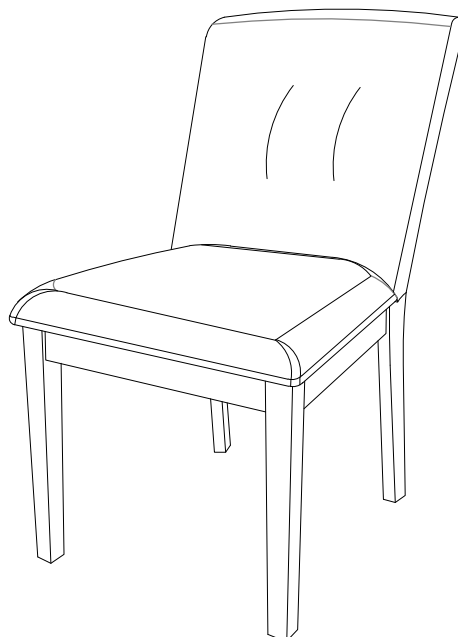
CAUTIONS: 1) DO NOT FULLY TIGHTEN BOLTS AND NUTS UNTIL ALL PARTS HAVE BEEN ASSEMBLED.

2) DO NOT OVER-TIGHTEN BOLTS AND NUTS .

3) KEEP ALL HARDWARE PARTS OUT OF REACH OF CHILDREN.

Designation	Part	Qty	Part List	Hardware	Qty	Hardware List
CHAIR BACK SUPPORT	P1	1PC		H1	4PCS	BOLT Ø1/4" x 75mm 
				H2	4PCS	BOLT Ø1/4" x 60mm 
SEAT CUSHION	P2	1PC		H3	3PCS	BOLT Ø1/4" x 35mm 
				H4	11PCS	SPRING WASHER Ø5/16" x 13mm 
FRONT LEGS	P3	2PCS		H5	11PCS	FLAT WASHER Ø5/16" x 19mm 
				H6	1PC	ALLEN KEY M4 x 59mm 

COMPLETE ASSEMBLY



ASSEMBLY INSTRUCTIONS

MODEL: 838-02 GRIFFIN SIDE CHAIR (LIGHT OAK)

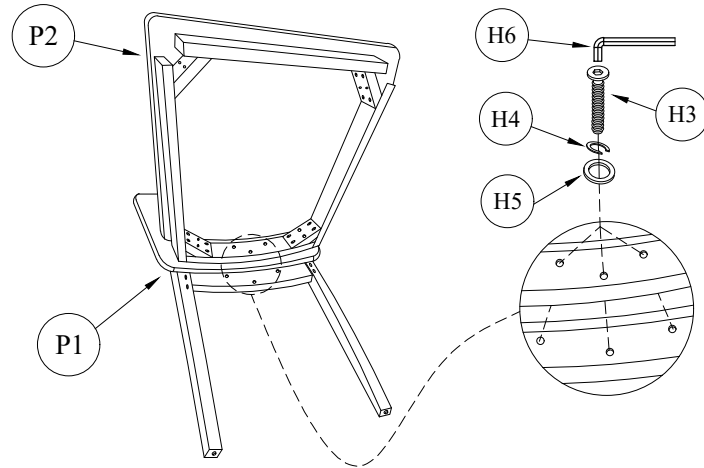
STEP 1

Prepare the CHAIR BACK SUPPORT (P1) by placing it upside-down. Assemble connecting blocks in the SEAT CUSHION (P2).

Align BOLT (H3) fitted with a SPRING WASHER (H4) & a FLAT WASHER (H5) through the connecting block holes. See example image.

Do not tighten BOLT (H3) with ALLEN KEY (H6)

H3 x 3PCS	
H4 x 3PCS	
H5 x 3PCS	
H6	

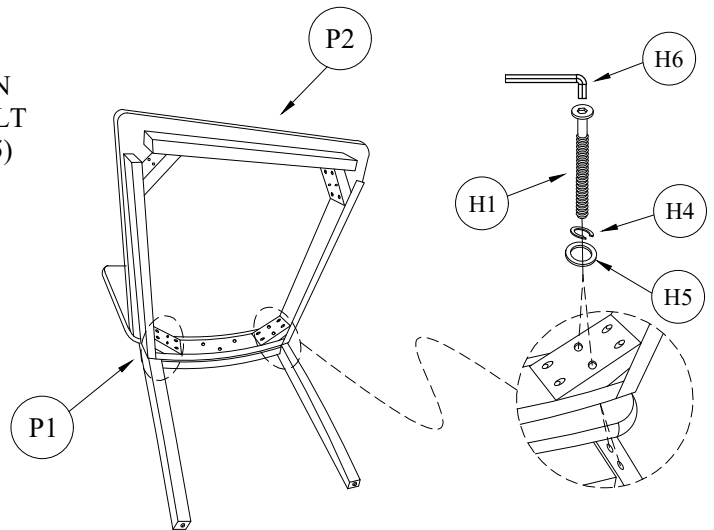


STEP 2

After fixing the CHAIR BACK SUPPORT (P1) and SEAT CUSHION (P2), continue to install additional hardware on both corners with BOLT (H1) fitted with a SPRING WASHER (H4) & a FLAT WASHER (H5) through the connecting block holes to secure the seat frame. See example image.

Tighten all the BOLT (H1) and BOLT (H3) with ALLEN KEY (H6)

H3 x 4PCS	
H4 x 4PCS	
H5 x 4PCS	
H6	



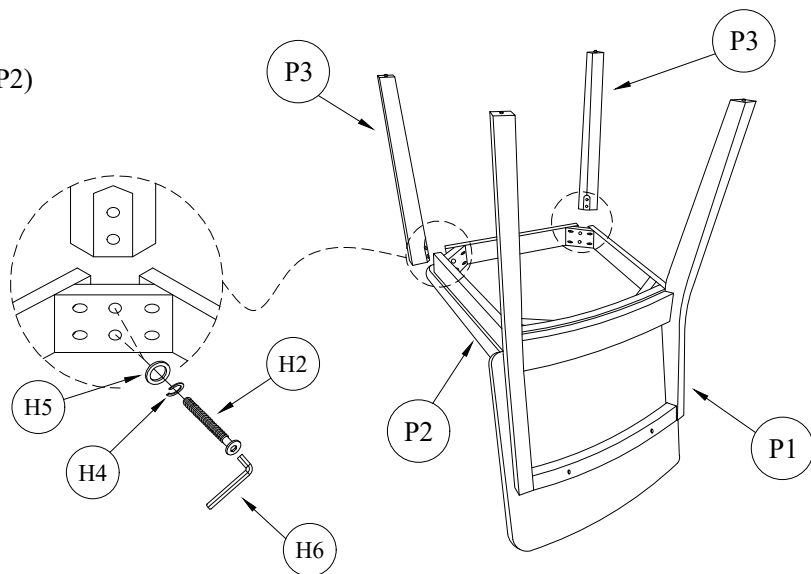
STEP 3

Attach the two FRONT LEGS (P3) into the SEAT CUSHION (P2) and align them into the correct connection holes.

Align BOLT (H2) fitted with a SPRING WASHER (H4) & a FLAT WASHER (H5) through the connecting block holes. See example image.

Tighten all the bolts with ALLEN KEY (H6)

H2 x 4PCS	
H4 x 4PCS	
H5 x 4PCS	
H6	



CARE AND MAINTENANCE

- SAFETY** - To avoid any risk of suffocation to children or animals, dispose off the plastic bags immediately.
- CLEANING** - Clean with damp cloth and mild detergent. Do not use bleach or abrasive products.
- FITTINGS** - Tighten bolts and nuts from time to time to ensure all parts of product are securely fitted.