

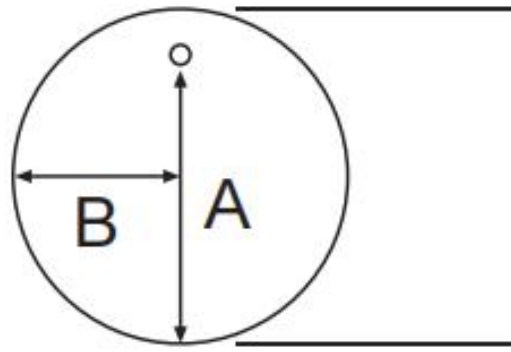
1. Installation Guide Without Service Parts

Goggles, Marker, Ruler, Level, Screwer, Hammer

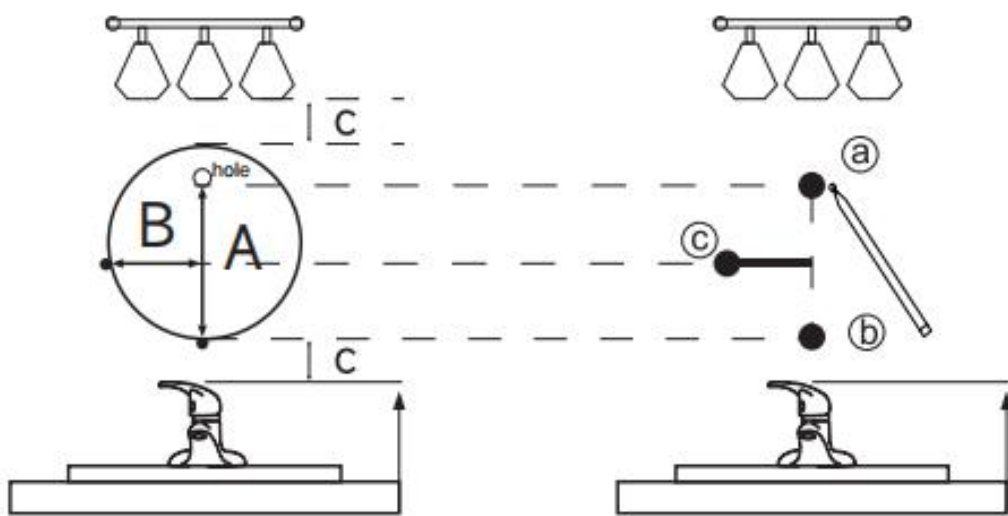
Power Drill with 15/64" (6mm) drill bit

 Electric Drill	 Hammer	 marker pen	 Safety Goggles
 Level	 Phillips Screwdriver	 Tape Measure	

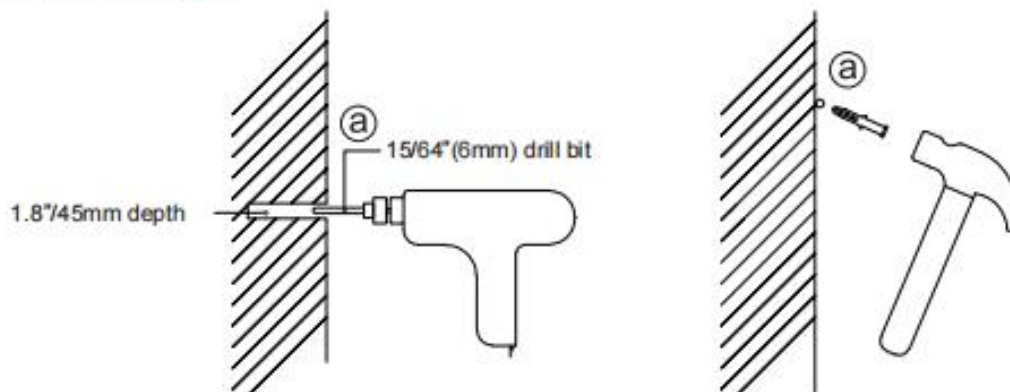
2. Measure distance between frame and hook (A, B)



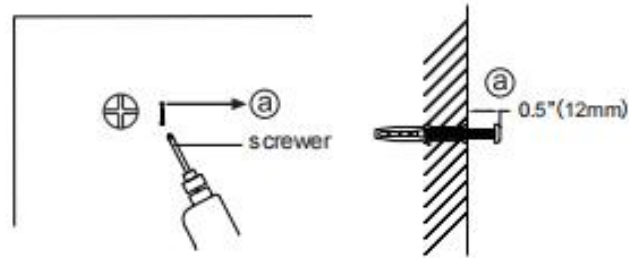
3. C 3" (76 mm) required clearance and mark the hole position (a)(b)(c)



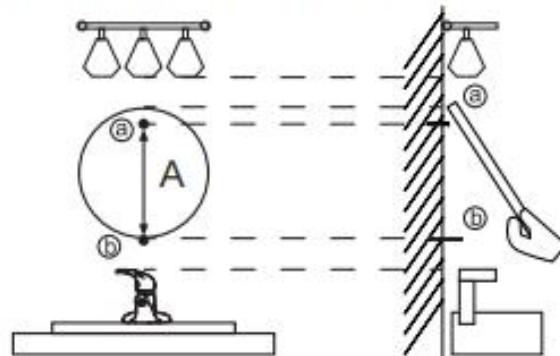
4. Drill $15/64"$ (6mm) a hole of 1.8" (45mm) depth, and hammer the anchor into wall



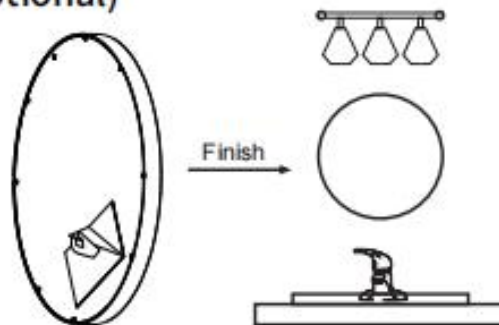
5. Tighten the screw on the wall anchor, set aside 0.5" (12mm)



6. Hang the mirror over the point b (please confirm the hook is hanging on the screw safely when viewed from the side)



7. Take off the paper of **Hook-and-loop fastener** on the backboard, and make it stick to the wall tightly
(Stick it or not is optional)



Accessories: 2pcs screws and 2pcs anchors

