

ASSEMBLY INSTRUCTIONS

Read these instructions carefully. Refer to hardware and furniture parts list for guidance. Be sure all parts are complete, before assembling. Place all wooden furniture parts on a clean and flat soft surface to prevent scratches. Refer to steps provided as assembling guide.

CAUTIONS :

1. Do not **FULLY-TIGHTEN** the nuts or nut bolts until all are in place.
2. To prevent thread damage. Ensure that nuts or nut bolts are not over-tightened.
3. Hardware is to be kept out of reach of children.

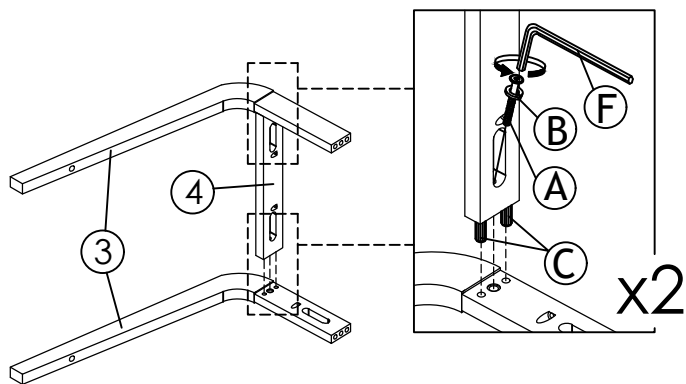
PART LIST

ITEM	DESCRIPTION	QTY
1	BACK REST	1 PC
2	CUSHION SEAT	1 PC
3	SIDE LEG (L & R)	2 PCS
4	BACK RAIL	1 PC
5	SIDE STRETCHER - (L & R)	2 PCS
6	BACK STRETCHER	1 PC

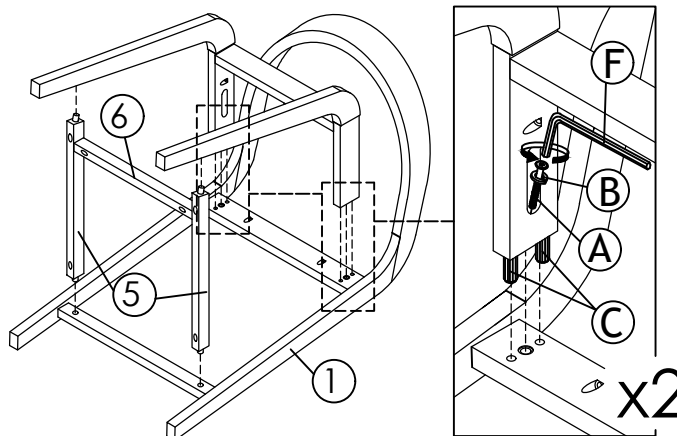
HARDWARE LIST

ITEM	DESCRIPTION	QTY
A	JCBC SCREW M6 x 50MM 	4 PCS
B	SPRING WASHER 1/4" 	4 PCS
C	WOOD DOWEL DIA 8 X 35mm 	8 PCS
D	WOOD DOWEL DIA 8 X 25mm 	2 PCS
E	PAN HEAD WOOD SCREW M5x32MM 	6 PCS
F	M4 ALLEN KEY (BALL SHAPE) LONG 	1 PC
G	L BRACKET 1.4MM SIZE: 20MM X 20MM X 1.4MM(2 HOLES) COLOUR: RB 	4 PCS
H	CSK SCREW M3.5 x 12MM 	8 PCS

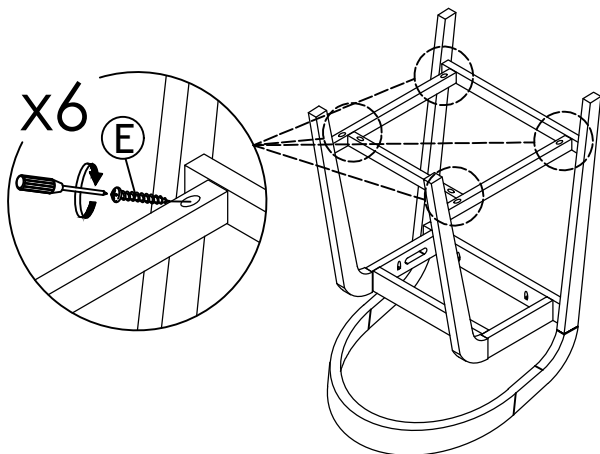
STEP 1 :



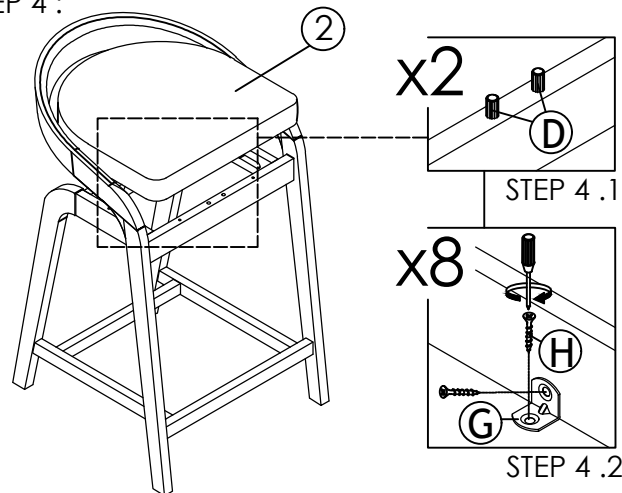
STEP 2 :



STEP 3 :



STEP 4 :



STEP 5 :

