

# Owner Manual



30 : 00

---

estimated  
assembly time



2 or more

---

people required

Ok, let's  
get started!



- Put on mood music!
- To prevent damage to product, use the clean side of package carton or rug as working surface for assembly.
- In the event of missing or damaged parts, delivery problems etc., please reach out to our team. We will be happy to fix the problem!

# care guide

- Clean regularly with a soft and dry cloth.
- To protect finish, avoid use of abrasive cleaners.
- Wipe up spills immediately. Please!

---

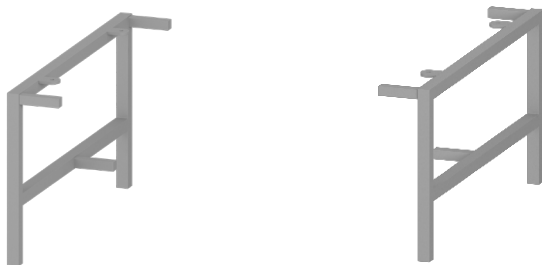
ⓘ **While assembling the product, tighten the bolts up to 50%. Once all parts are in place, only then fully tighten the bolts.**



# product parts



A  
Cabinet base  
x1



B  
Legs  
x2



C  
Rod  
x1

# what's included



(D) - Washer  
(Ø18mmxØ8mm)  
x4



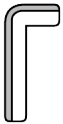
(E)-Lock Washer  
(Ø15mmxØ8mm)  
x4



(F) - Bolt  
(M6x20mm)  
x4



(G) - Bolt  
(M6x10mm)  
x12



(H)- Allen Key  
(Ø4mmx110mm)  
x1

## assembly instructions

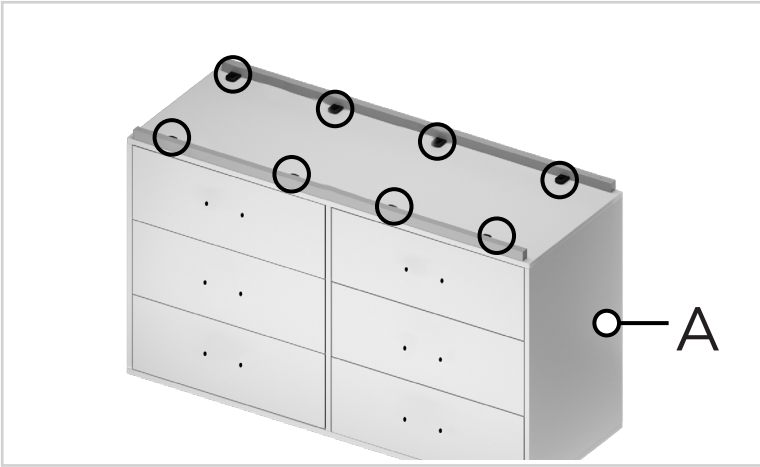
Friendly Tip: Take a deep breath going in. This may be a tricky part, but nothing too overwhelming. Just follow these steps to the T and the outcome will be worth it!



- ⓘ While assembling the product, tighten the bolts up to 50%. Once all parts are in place, only then fully tighten the bolts.

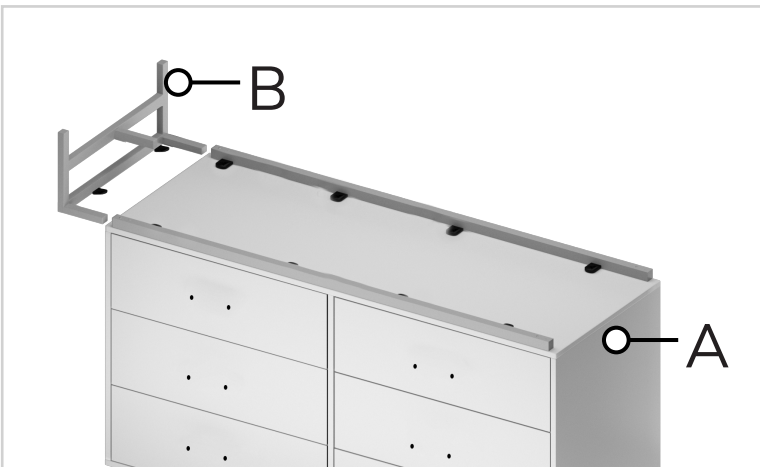
step 1:

Start by turning the cabinet base (A) upside-down. Unscrew the pre-installed metal rods (using Allen Key (H)) on the cabinet case by 50%. See the highlighted areas below for point reference.



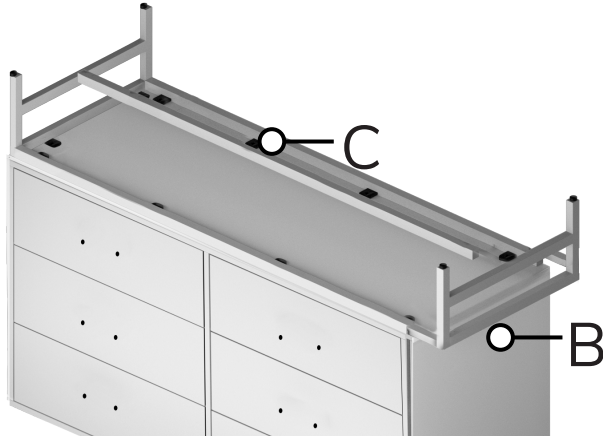
step 2:

Now, insert the left metal leg (B left) into the metal rods on the table top. See this image for reference.



### step 3:

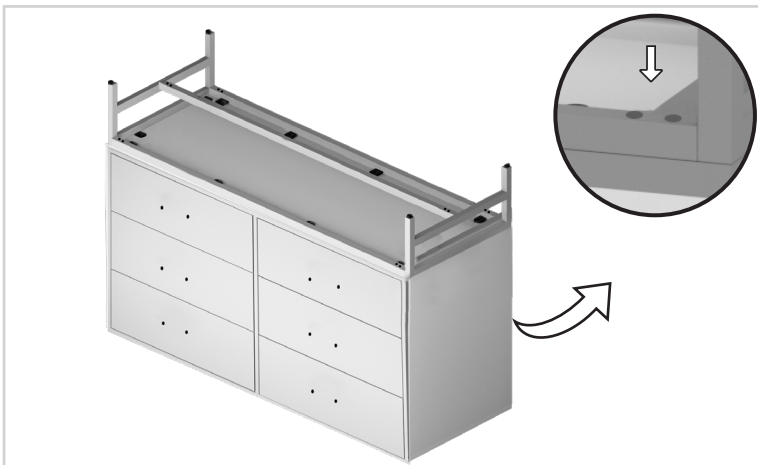
Slide rod (C) onto the table leg (B) as shown in the image. Next, insert the other leg (B) into rod (C) and the preinstalled rods on the cabinet base (A). We're off to a great start.



7

### step 4:

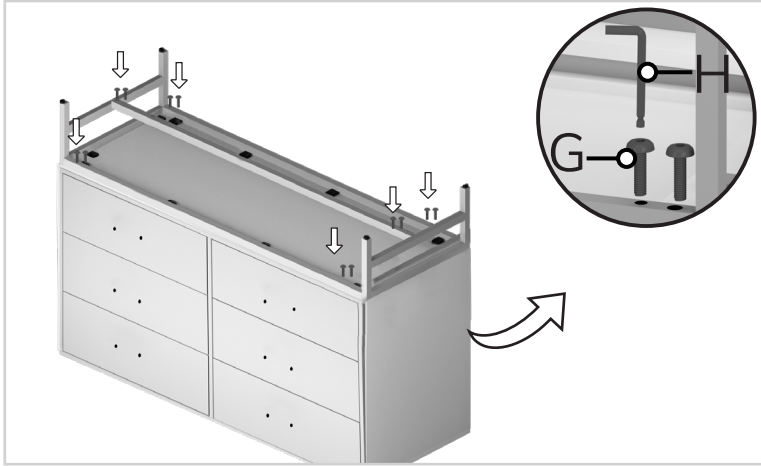
Check out the holes on rod (C) and the preinstalled rods as highlighted in the image. That's where you'll be inserting bolts (G).



8

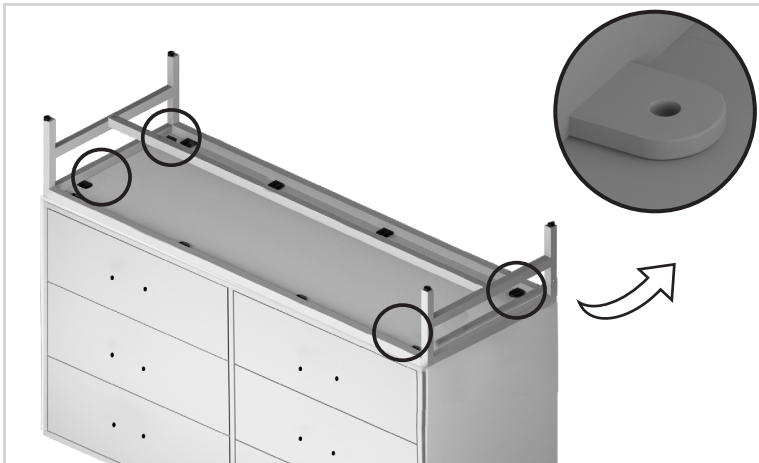
step 5:

Using bolts (G) and allen key (H), secure them in place.



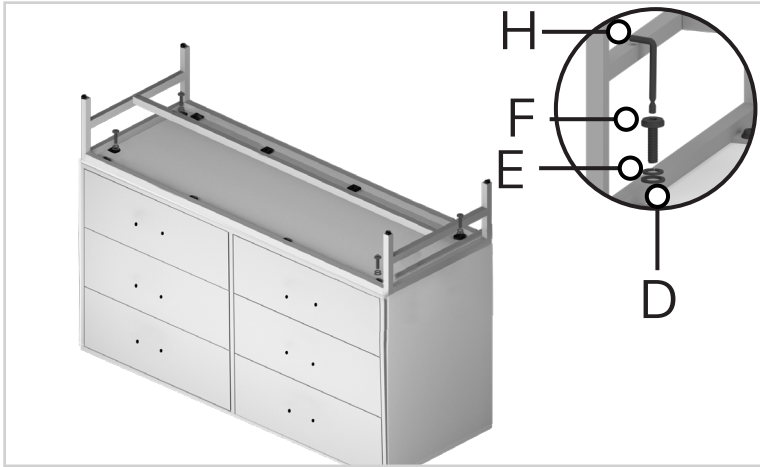
step 6:

Refer to the highlighted areas to see where you'll be inserting bolts (F) next.



## step 7:

Placing lock washers (E) on top of washers (D), fasten bolts (F) on all four holes using allen key (H).



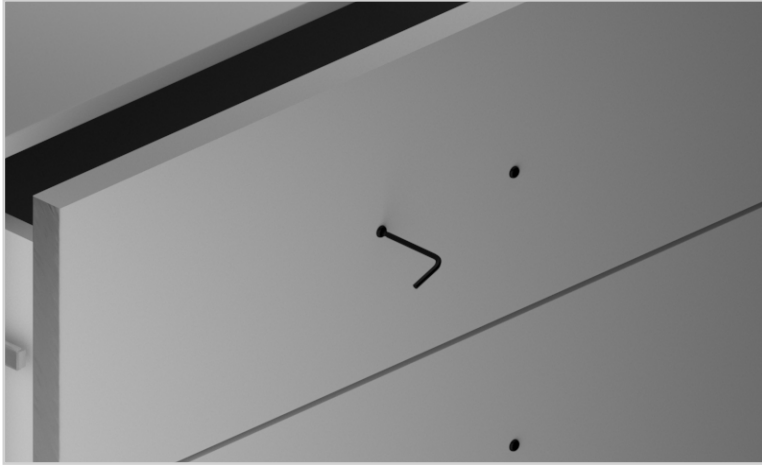
## step 8:

Pull on the ribbon to open the drawers.



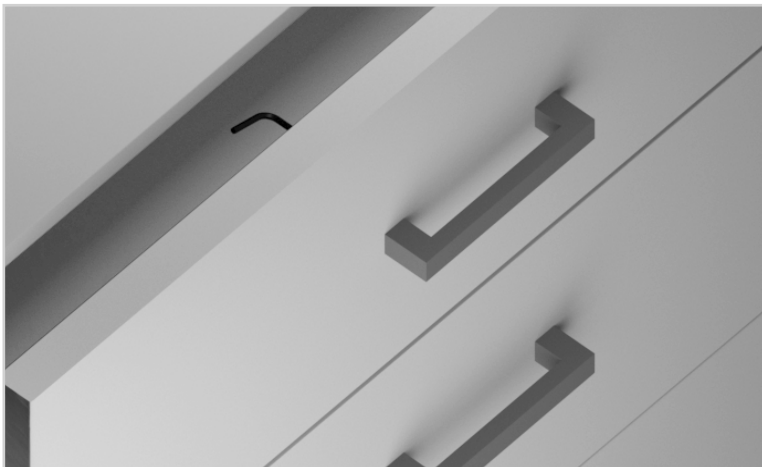
step 9:

Using allen-key (H), detach the handles fitted inside the drawers.



step 9:

Place the handles outside the drawers and reattach them using the bolts you removed in step 9. Tighten it in place using allen-key (H).



**Voila! Your chest of drawers is now assembled and secure!**

you've  
got  
a home  
with us

A minimalist line-art house shape framing the text. The house is composed of a simple outline with a triangular roof and a chimney on the right side. The text is positioned inside the house shape, with 'you've' on the top line, 'got' in a larger font on the second line, 'a home' on the third line, and 'with us' on the bottom line. The word 'us' is smaller than 'with'.