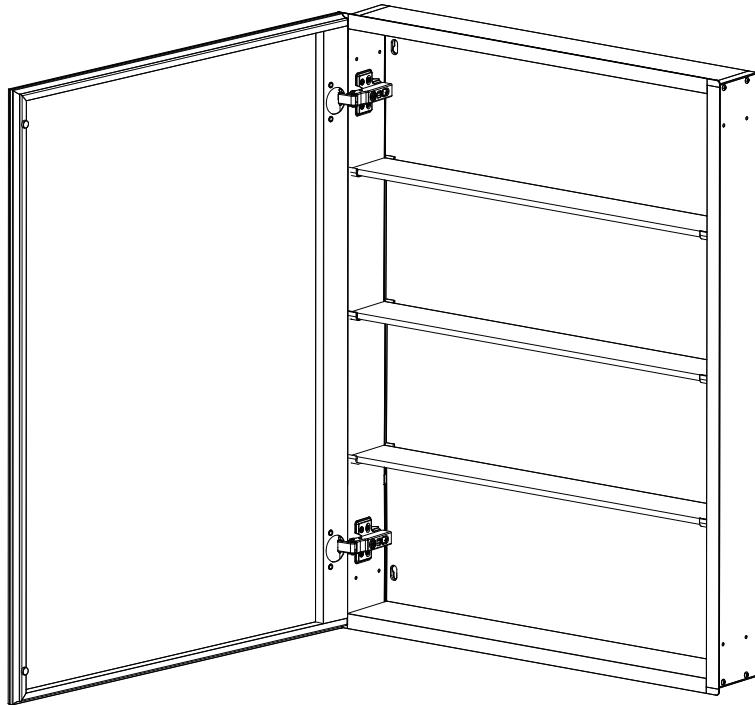


BATHROOM MEDICINE CABINET

INSTALLATION MANUAL

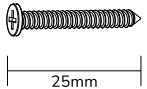
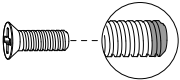
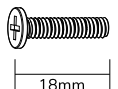
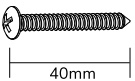


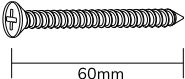
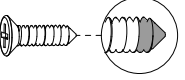
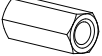
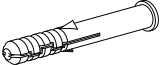
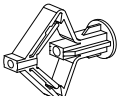
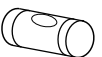

CONTACT US





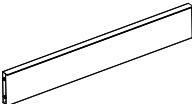
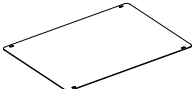
Thank you for shopping with us! We hope that our products have added a touch of brightness to your life. If you need any assistance, please don't hesitate to reach out. Our dedicated team is available 24/7 to ensure your satisfaction.

PACKING LIST

Please ensure that you have received all parts and accessories in the correct specifications and quantities as listed below:

Item	Illustration	Qty.	Qty.	Qty.	Qty.	Qty.
①		x8	x16	x16	x24	x32
②		x8	x16	x16	x24	x32
③		x0	x8	x8	x16	x24
④		x4	x8	x8	x12	x16

Please ensure that you have received all parts and accessories in the correct specifications and quantities as listed below:						
Item	Illustration	Qty.	Qty.	Qty.	Qty.	Qty.
⑤		x4	x8	x8	x12	x16
⑥		x4	x8	x8	x12	x16
⑦		x0	x4	x4	x8	x12
⑧		x4	x8	x8	x12	x16
⑨		x4	x8	x8	x12	x16
⑩		x1	x1	x1	x1	x1
⑪		x1	x1	x1	x1	x1

Please ensure that you have received all parts and accessories in the correct specifications and quantities as listed below:						
Item	Illustration	Qty.	Qty.	Qty.	Qty.	Qty.
⑫		x4	x8	x8	x12	x16
⑬		x1	x1	x1	x1	x1
A1		x1	x2	x2	x3	x4
A2		x1	x2	x2	x3	x4
B		x2	2+2 (Long+Short)	x4	x6	x8
C		x1	1+1 (Long+Short)	x2	x3	x4

Please ensure that you have received all parts and accessories in the correct specifications and quantities as listed below:

Item	Illustration	Qty.	Qty.	Qty.	Qty.	Qty.
D1		x2	x4	x4	x6	x8
D2		x2	x4	x4	x6	x8
G		x1 x2 x3	2+2 (Long+Short)	x4	x6	x8
H		x1	1+1 (Long+Short)	x2	x3	x4
		x2	x4	x4	x6	x8
		x2	x4	x4	x6	x8

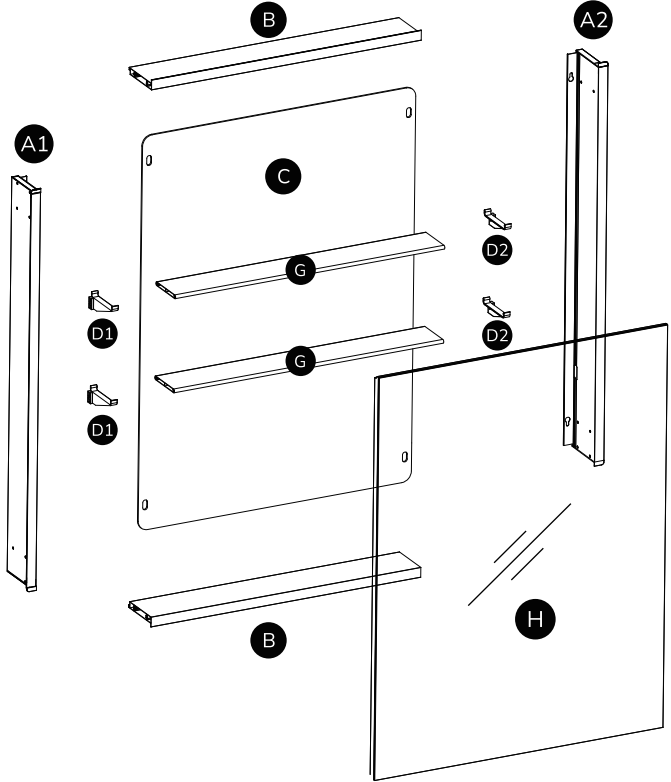
INSTALLATION TOOLS

 Electric Drill	 Hammer	 Tape Measure
 Level	 Marker	 Safety Goggles

EXPLODED DIAGRAM

Note(About shelf quantity):

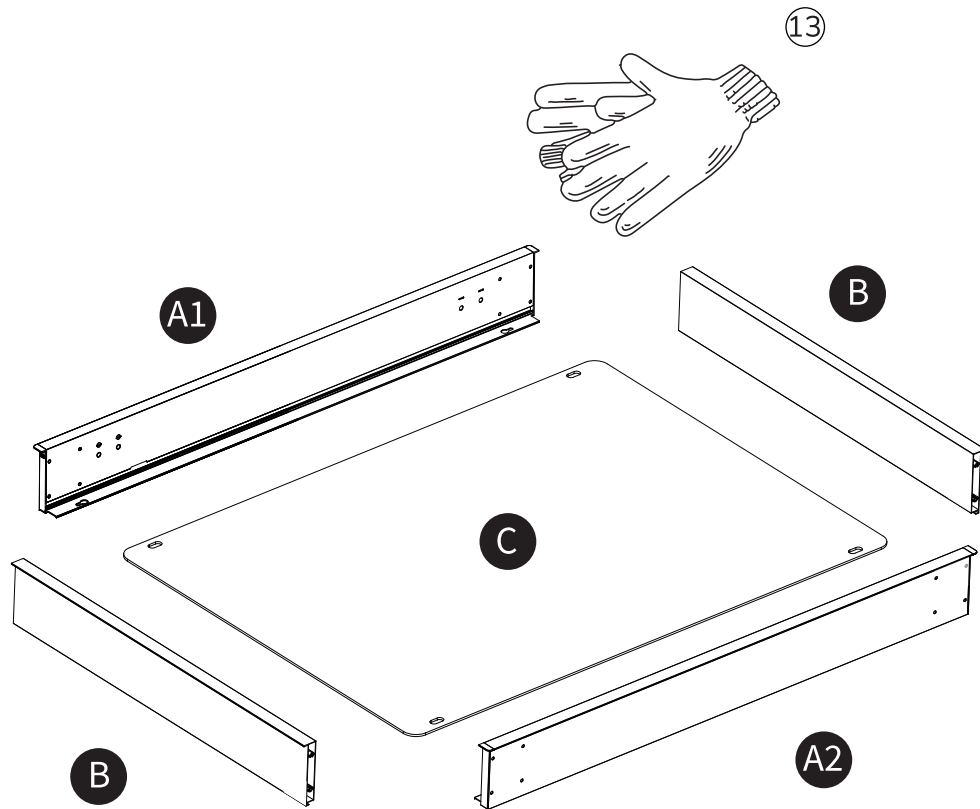
The 18-inch model is equipped with one shelf.
 Models between 18 to 31 inches are equipped with two shelves.
 Models 32 inches and above are equipped with three shelves.



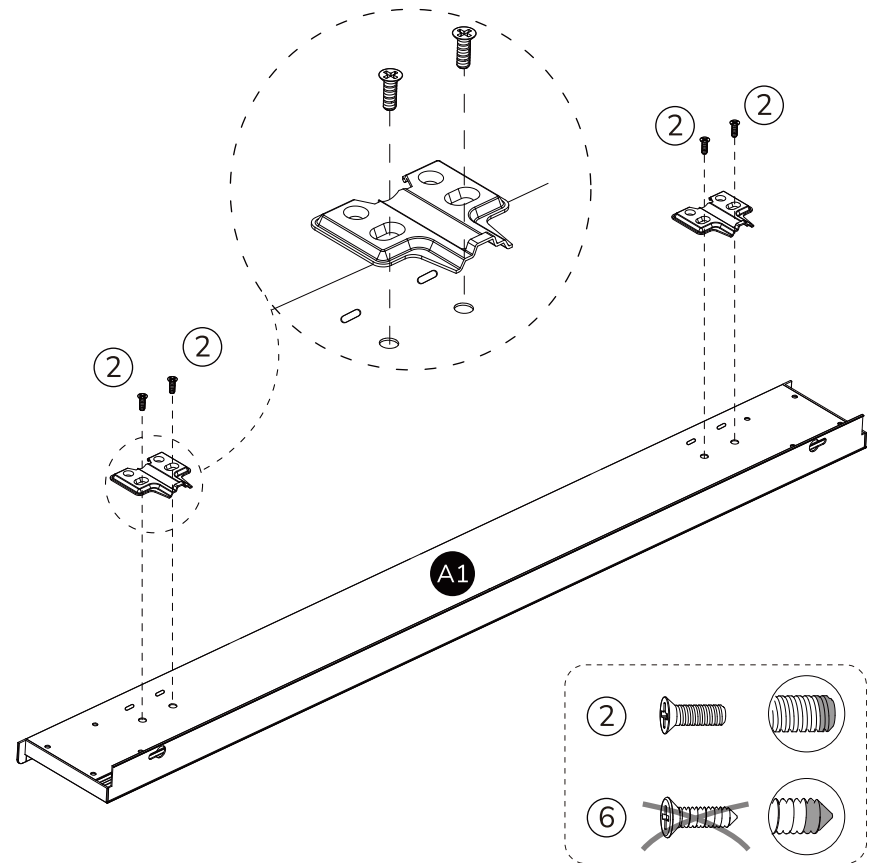
Note: For medicine cabinets taller than 32 inches, an additional piece of **D1** **D2** **G** will be provided for assembly.

Assembly Instructions

1 Installation preparation

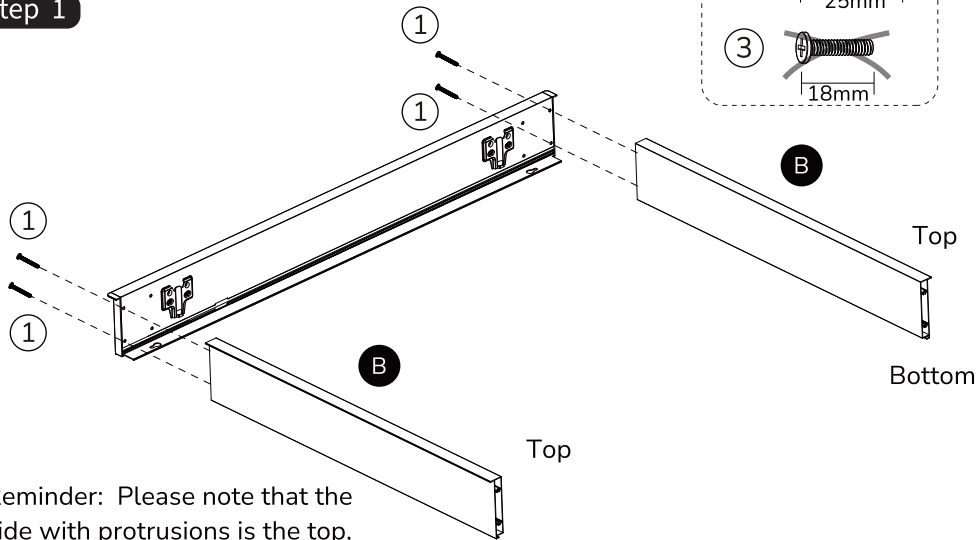


2 Install hinge base

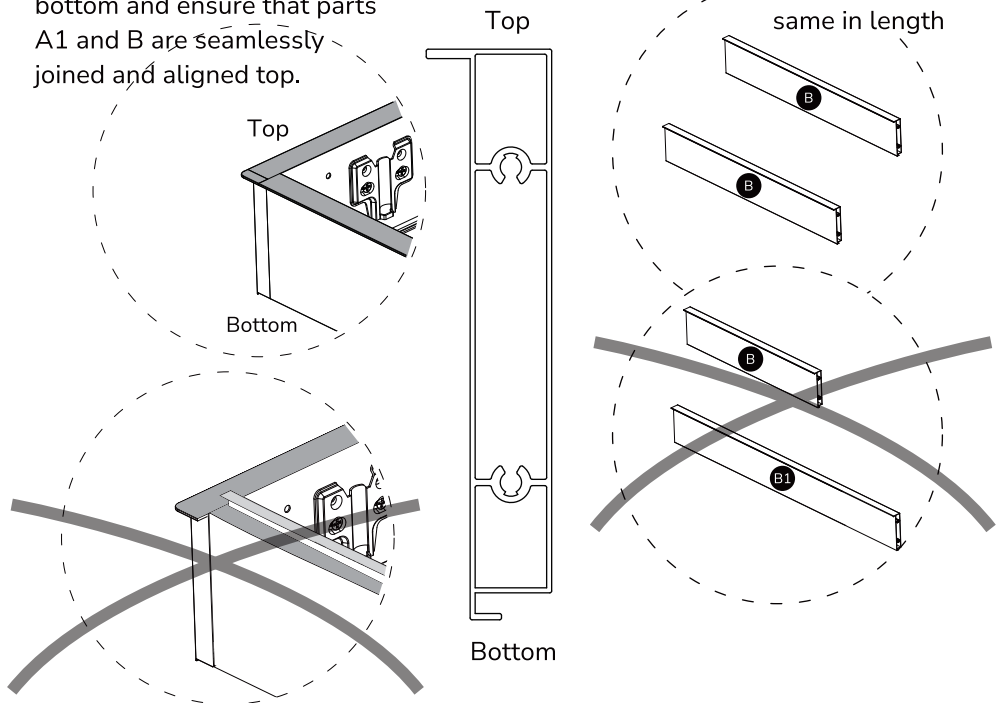


3 Install the top and bottom plate

Step 1

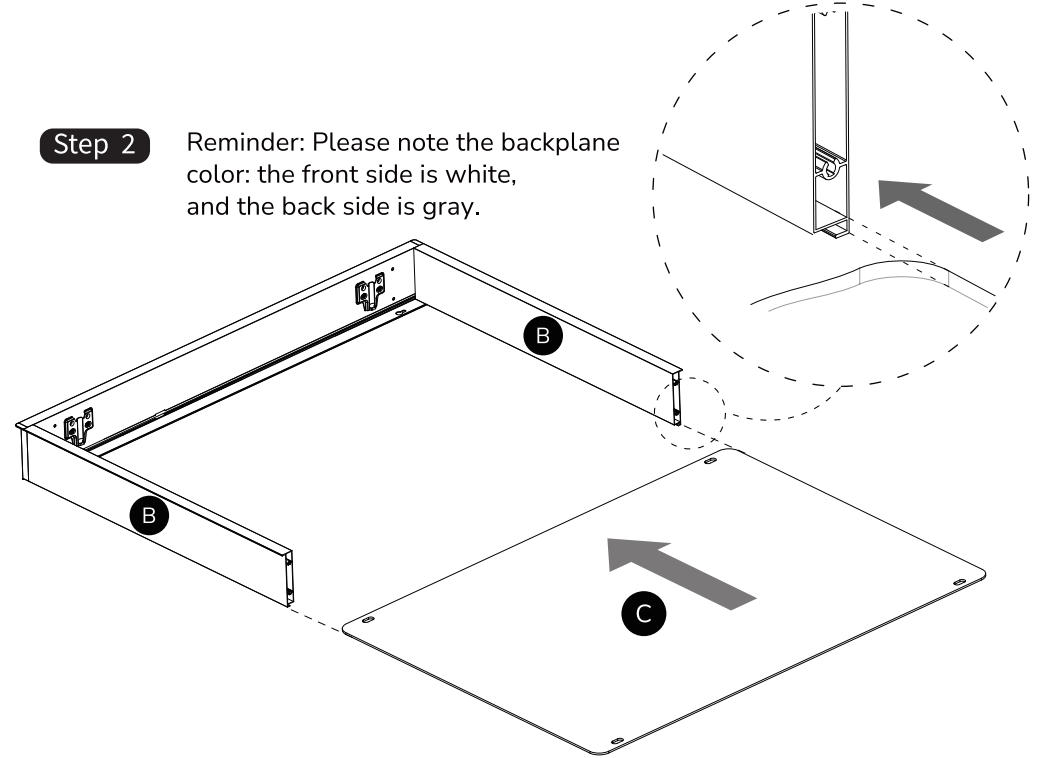


Reminder: Please note that the side with protrusions is the top, and the side with bends is the bottom and ensure that parts A1 and B are seamlessly joined and aligned top.

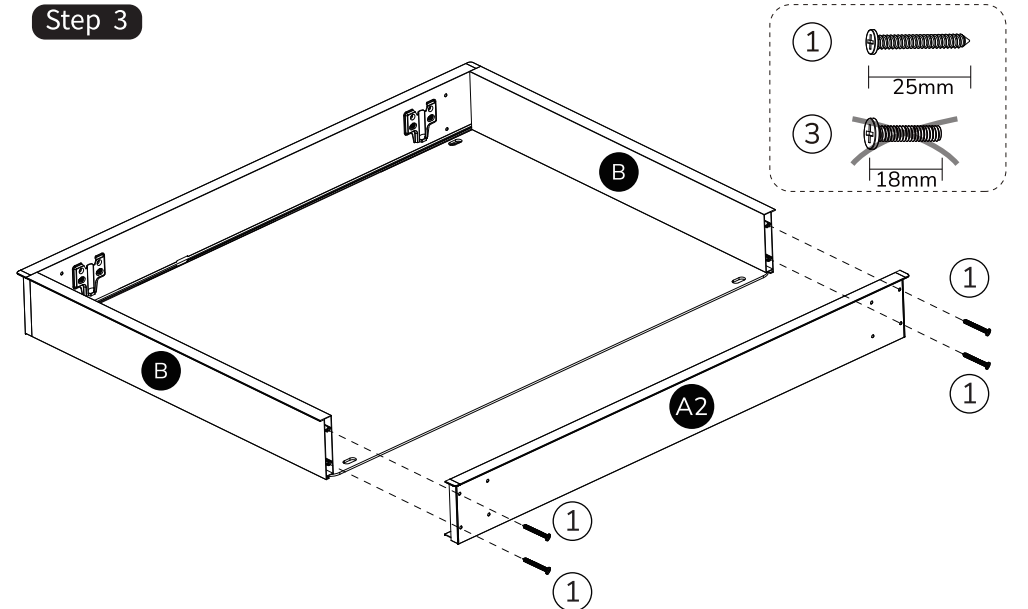


Step 2

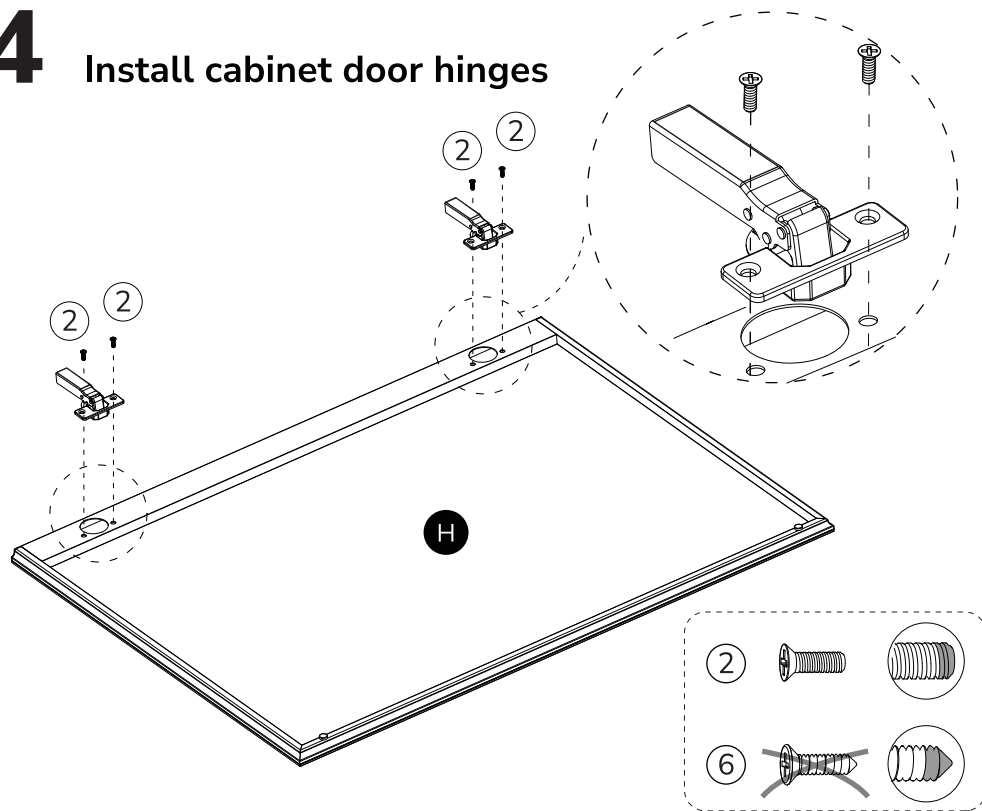
Reminder: Please note the backplane color: the front side is white, and the back side is gray.



Step 3



4 Install cabinet door hinges



ATTENTION

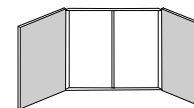
Now that the cabinet and door are assembled, please proceed to the next step based on the model you purchased:

Single-door:
Proceed to step 6.

Double-door / Triple-door:
Repeat the previous steps to assemble all cabinet units and doors, then proceed to step 5.

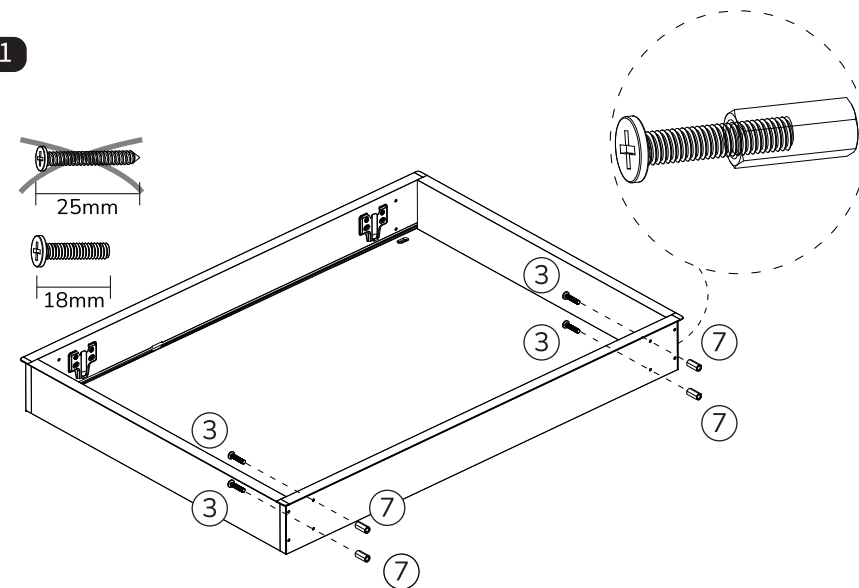
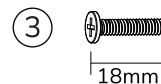
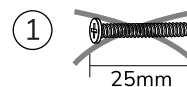
5 Connection of multi-door cabinets

Double-door

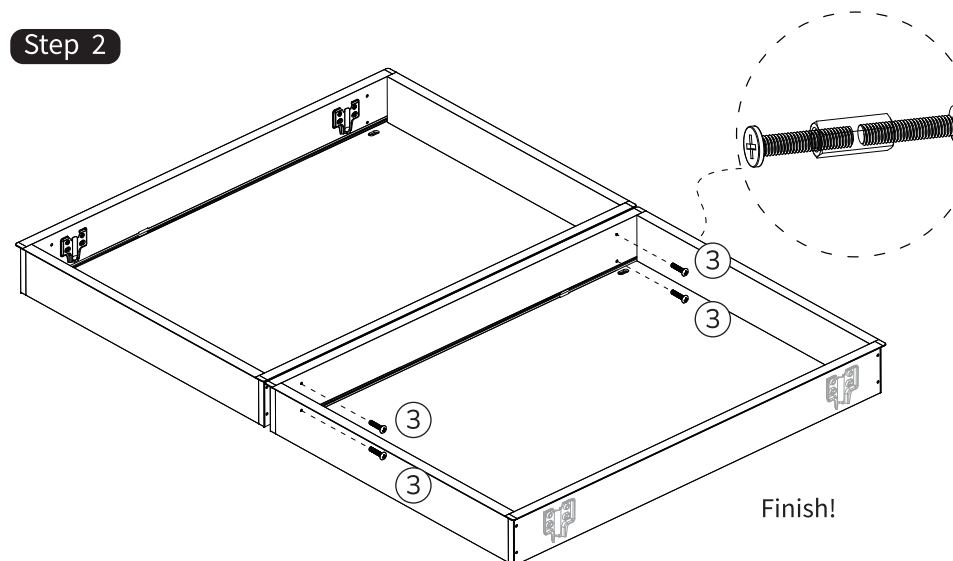


Taking this as an example

Step 1

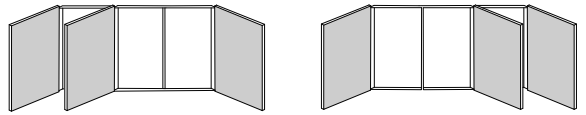


Step 2



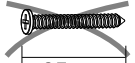
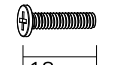
Finish!

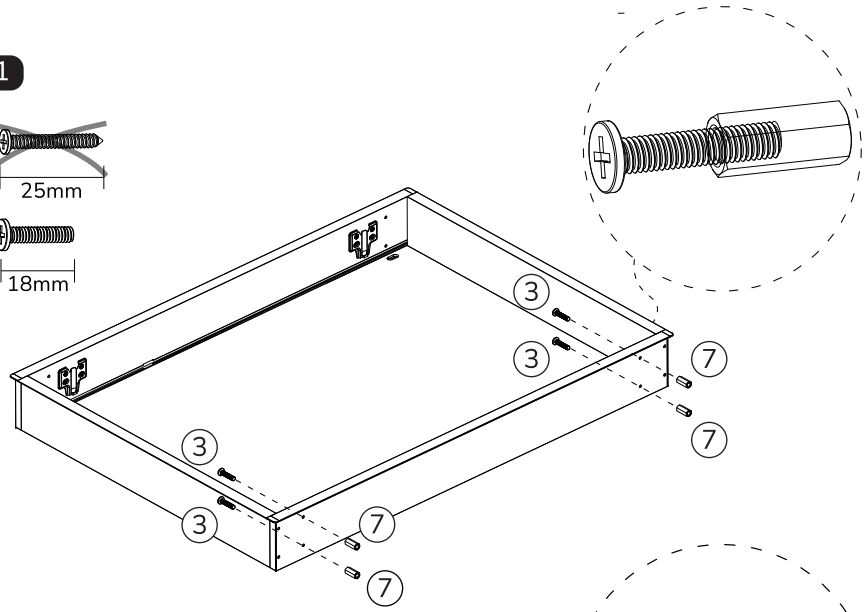
Triple-door



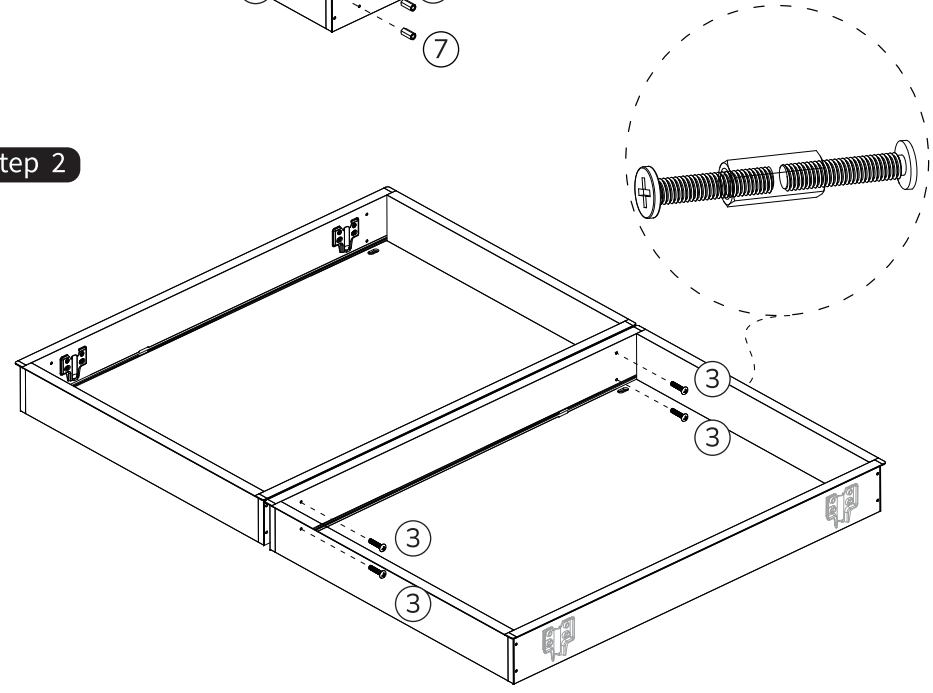
Taking this as an example

Step 1

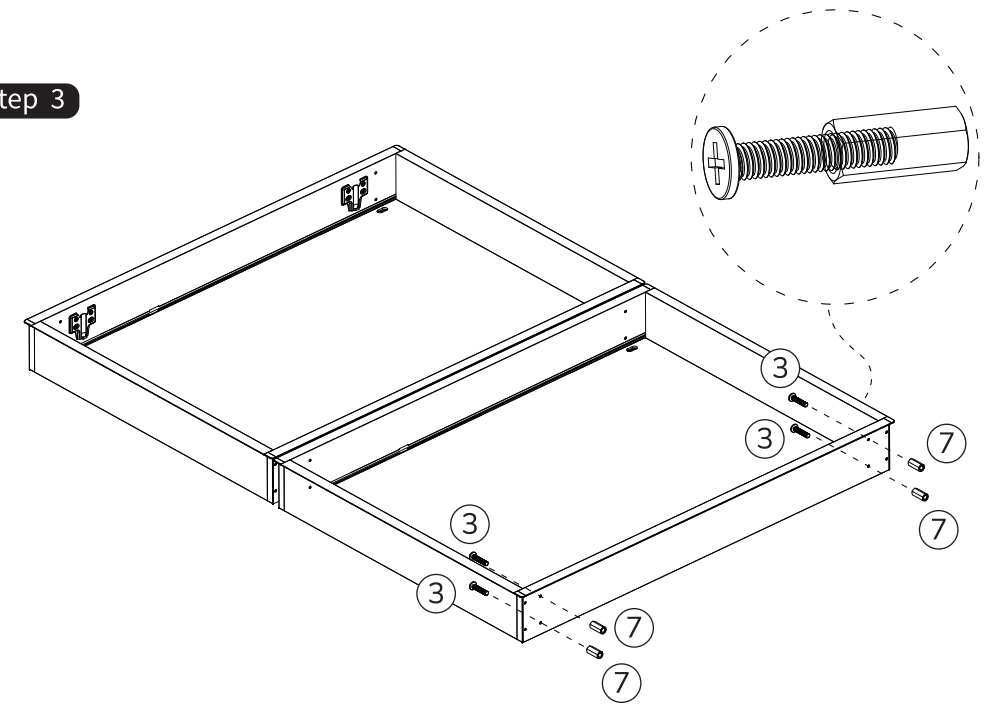
- ①  25mm
- ③  18mm



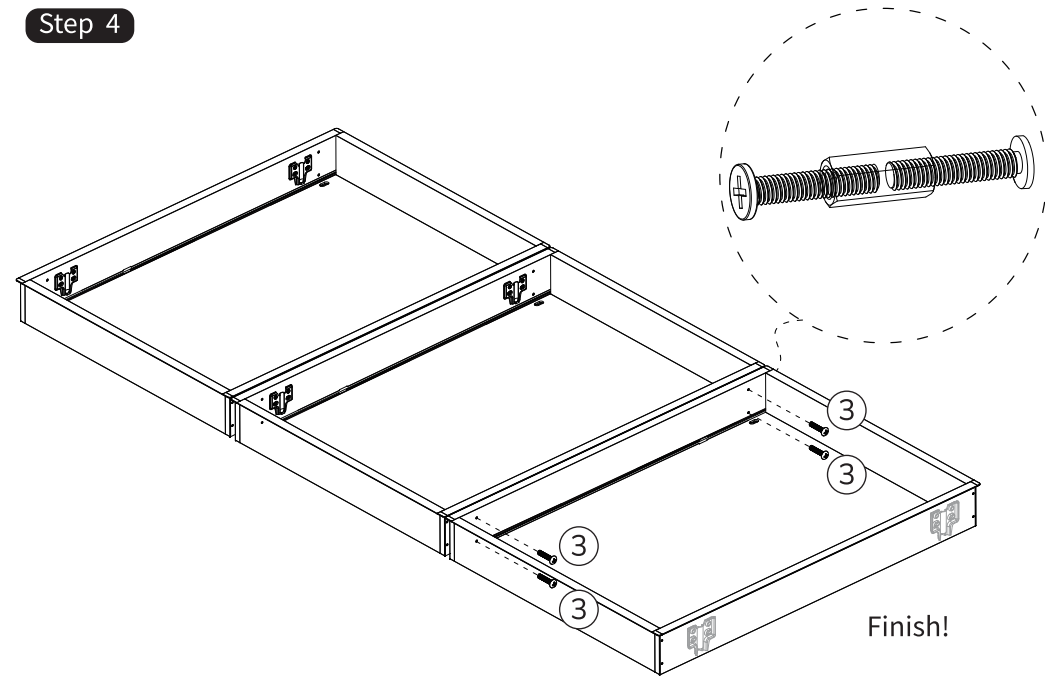
Step 2



Step 3

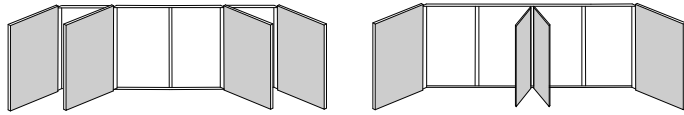


Step 4



Finish!

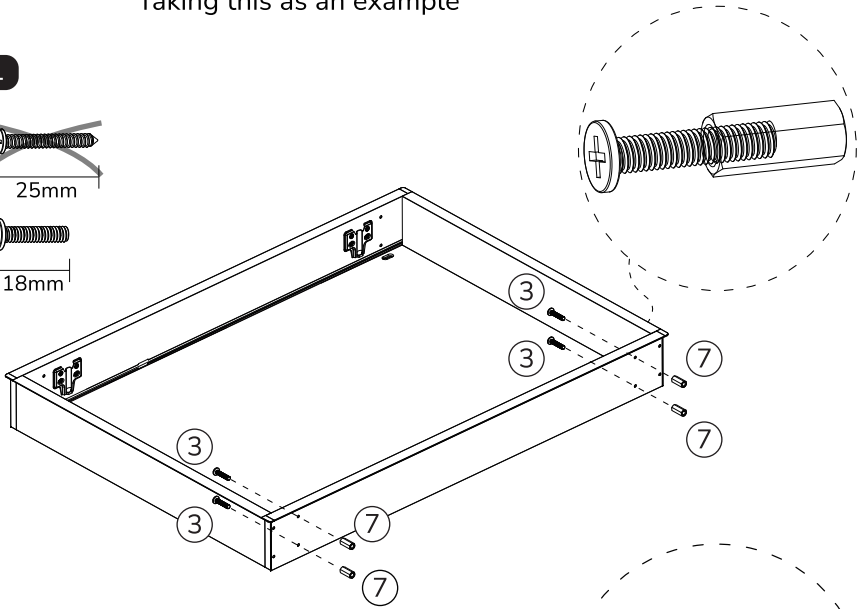
Four-door



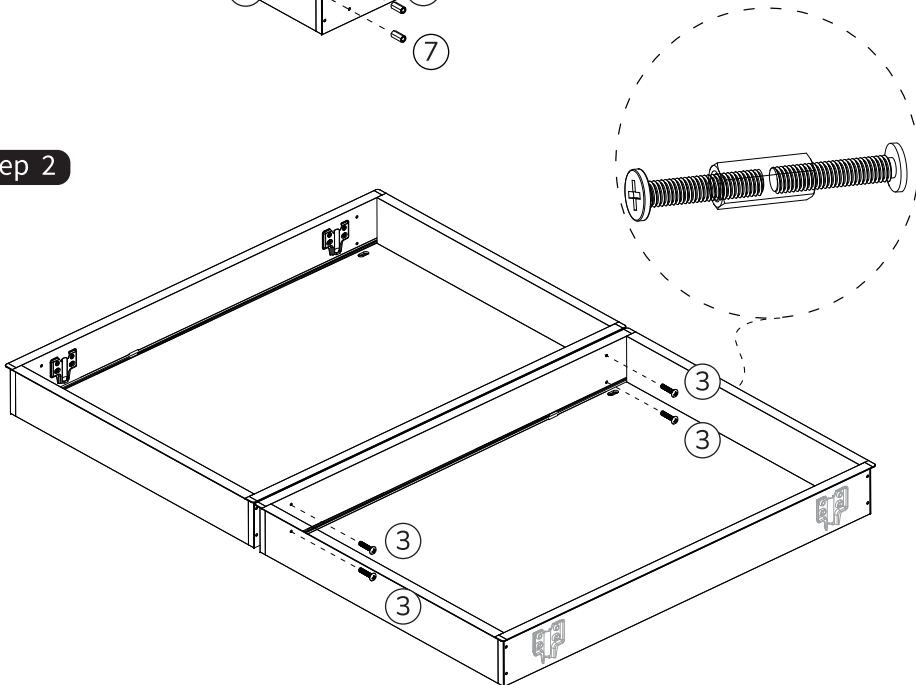
Taking this as an example

Step 1

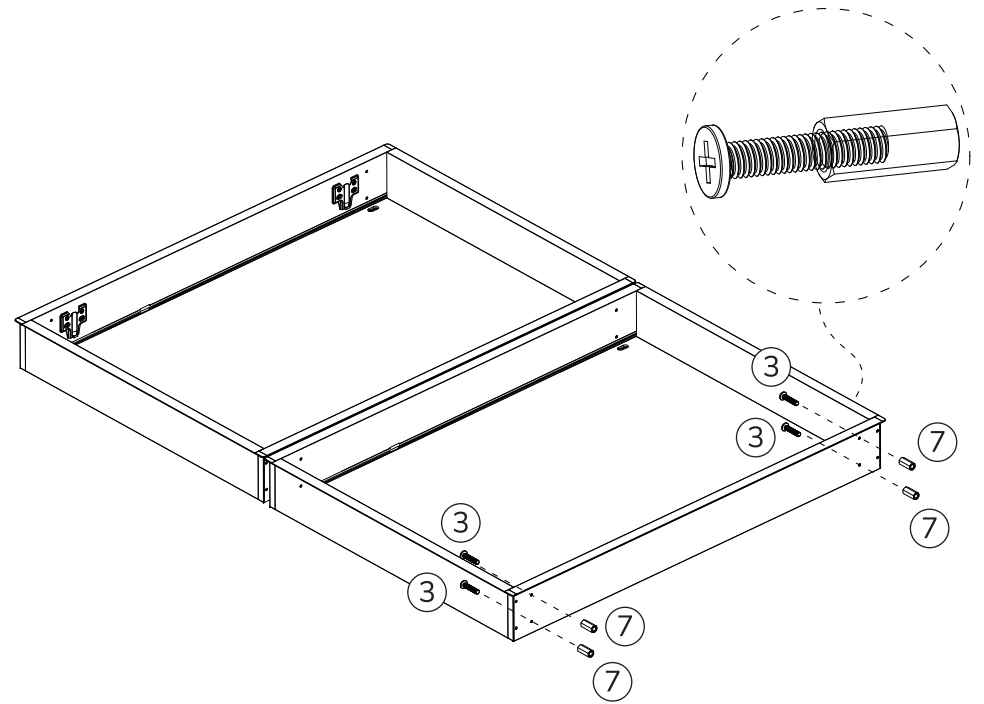
- ① 25mm
- ③ 18mm



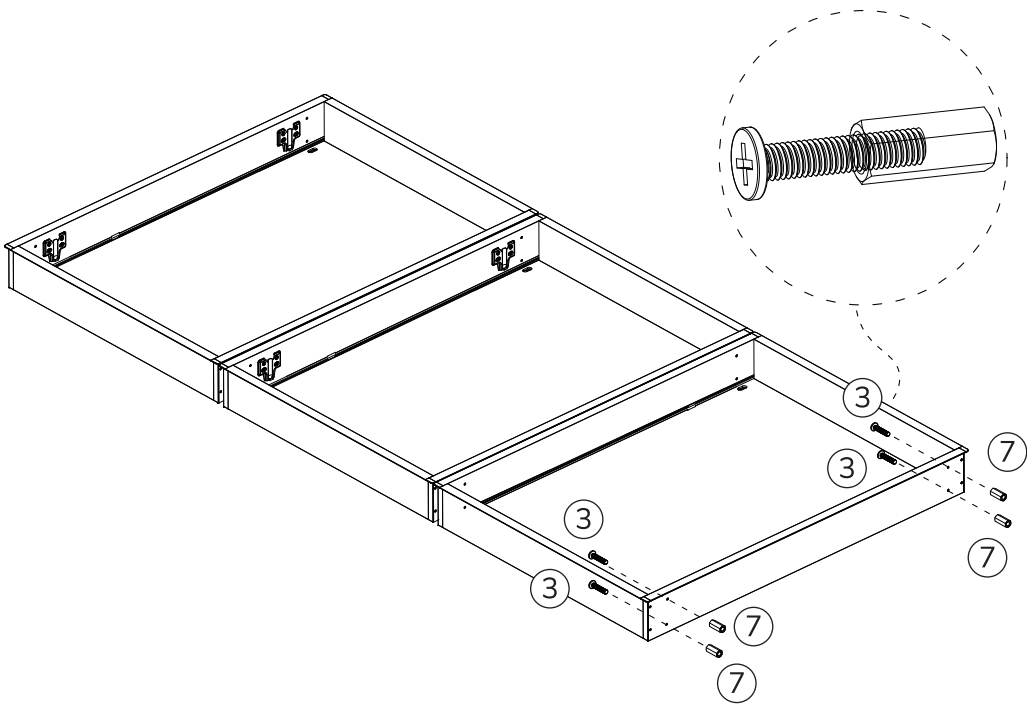
Step 2



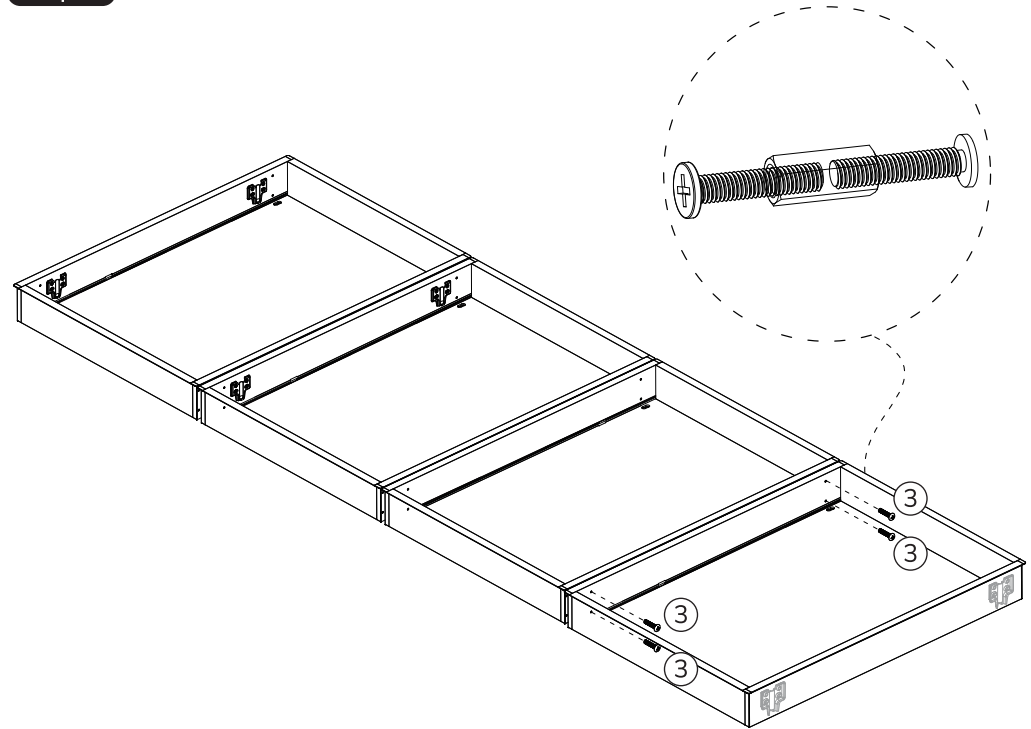
Step 3



Step 4



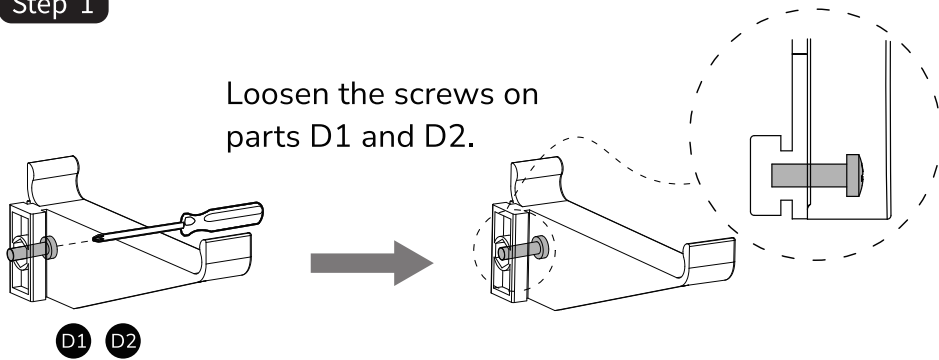
Step 5



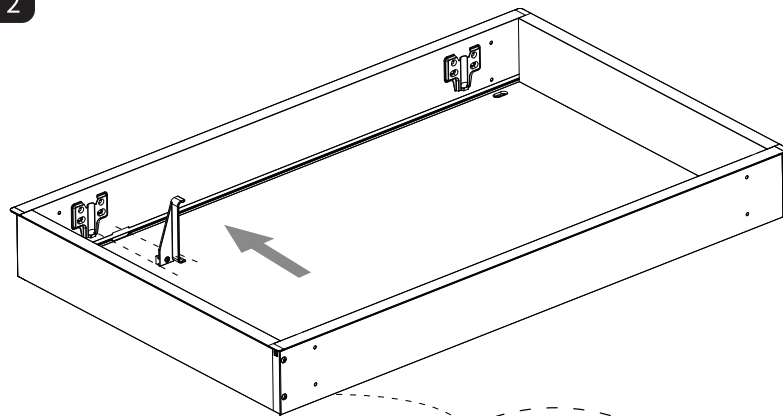
Finish!

6 Installation of shelves

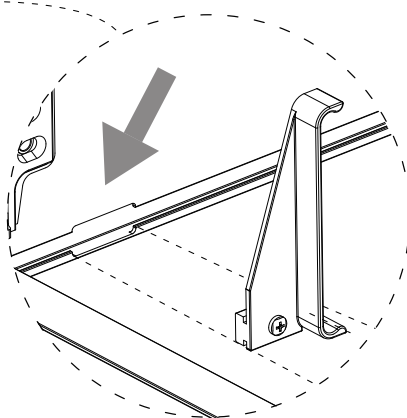
Step 1



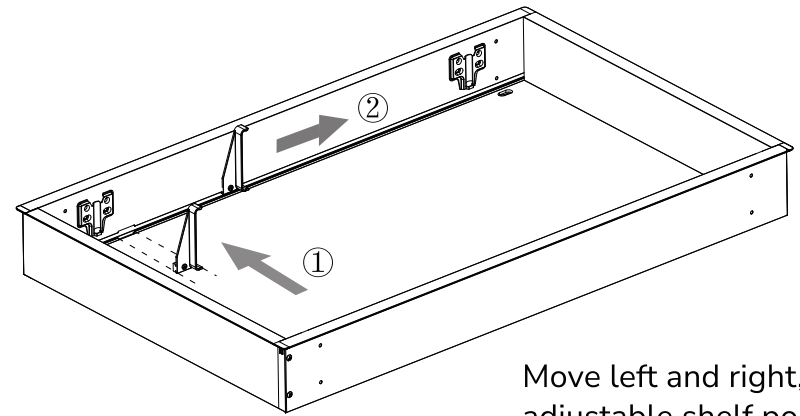
Step 2



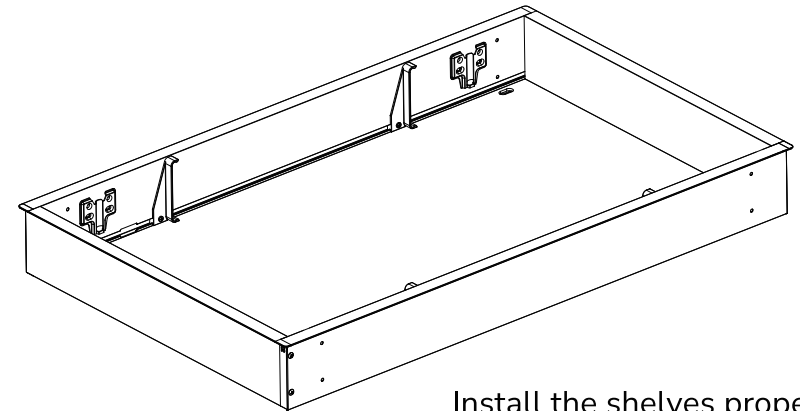
Align the shelf with the slot and insert it vertically



Step 3



Move left and right, adjustable shelf position



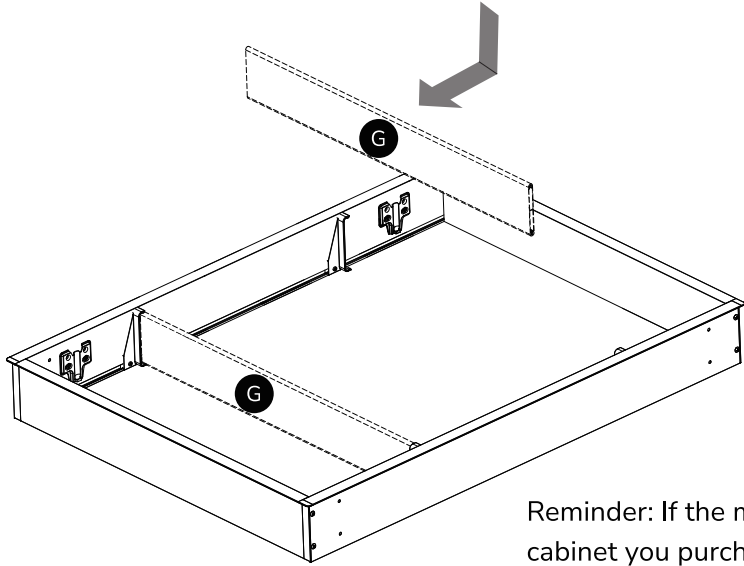
Install the shelves properly

ATTENTION :

Left door opening: D1 needs to be installed on the side with hinges
Right door opening: D2 needs to be installed on the side with hinges

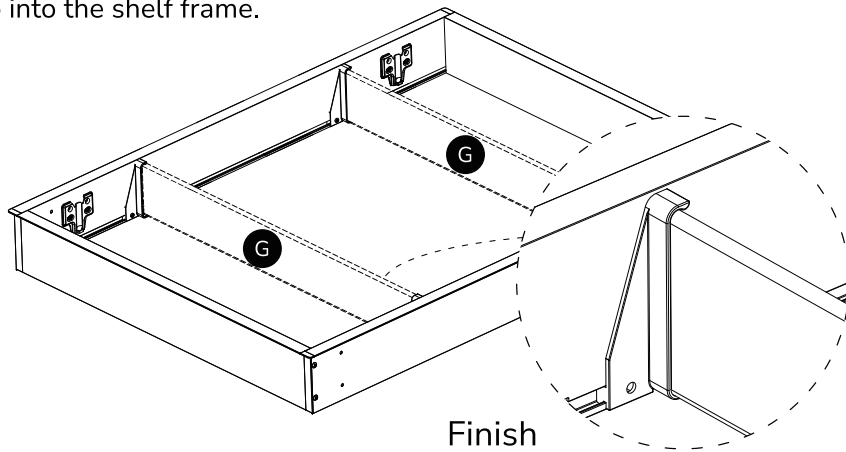
7 Install the shelves

Step 1



The shelf panel needs to snap into the shelf frame.

Reminder: If the medicine cabinet you purchased is taller than 32 inches, please assemble all the included G parts.

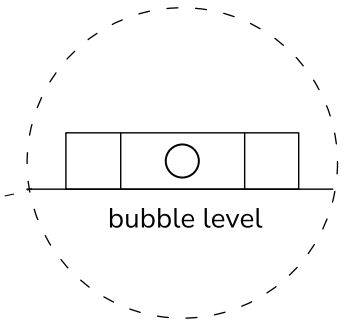
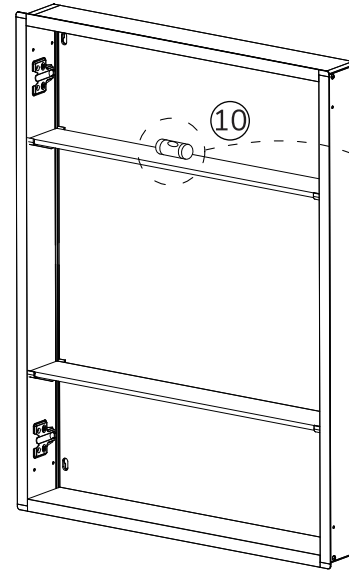


Finish

Note(About shelf quantity):

The 18-inch model is equipped with one shelf.
Models between 18 to 31 inches are equipped with two shelves.
Models 32 inches and above are equipped with three shelves.

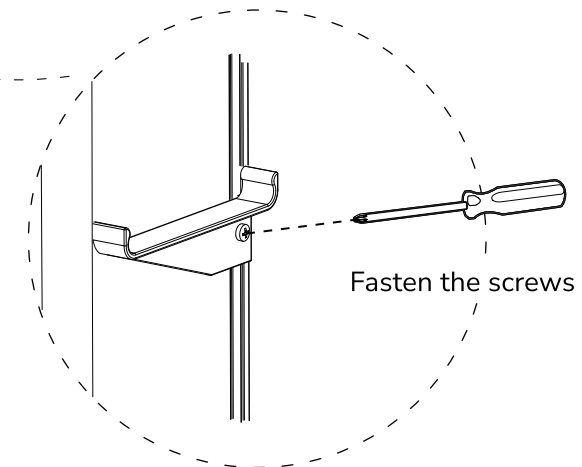
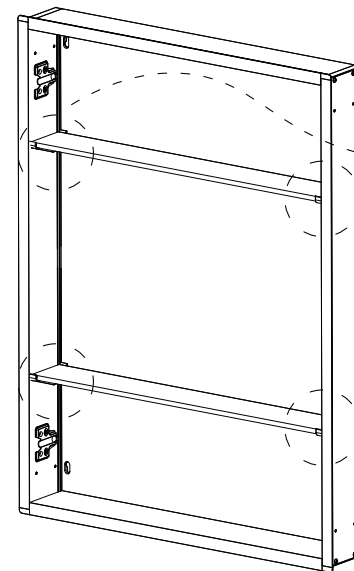
Step 2



bubble level

Reminder: Place the cabinet vertically on the desk-top, Please ensure the shelves are horizontal with the bubble level.

Step 3



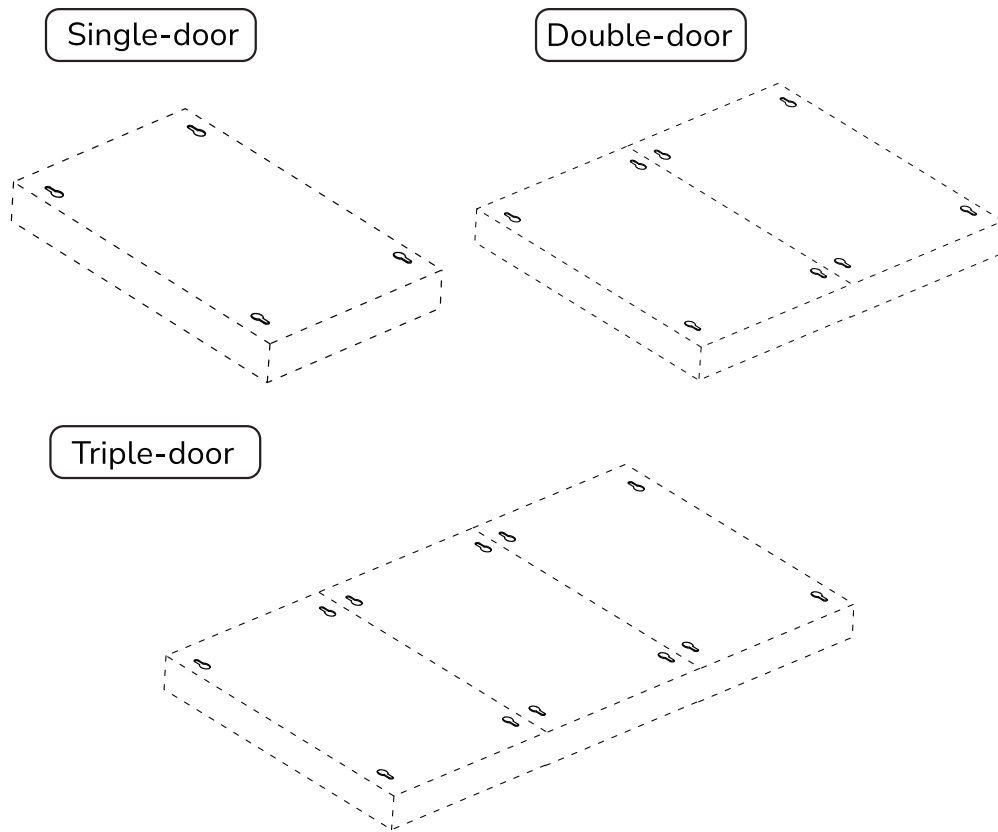
Fasten the screws

8 Decide on the Installation

Choose whether to wall-mount (Step 8-1 to Step 8-8) or recess-mount (Step 9-1 to Step 9-7) the medicine cabinet according to your preference.

For various product models, the mounting holes are positioned differently. Before drilling, confirm and mark all hole locations, ensuring each spot is drilled and fitted with wall anchors and screws.

The mounting holes are located as indicated below:

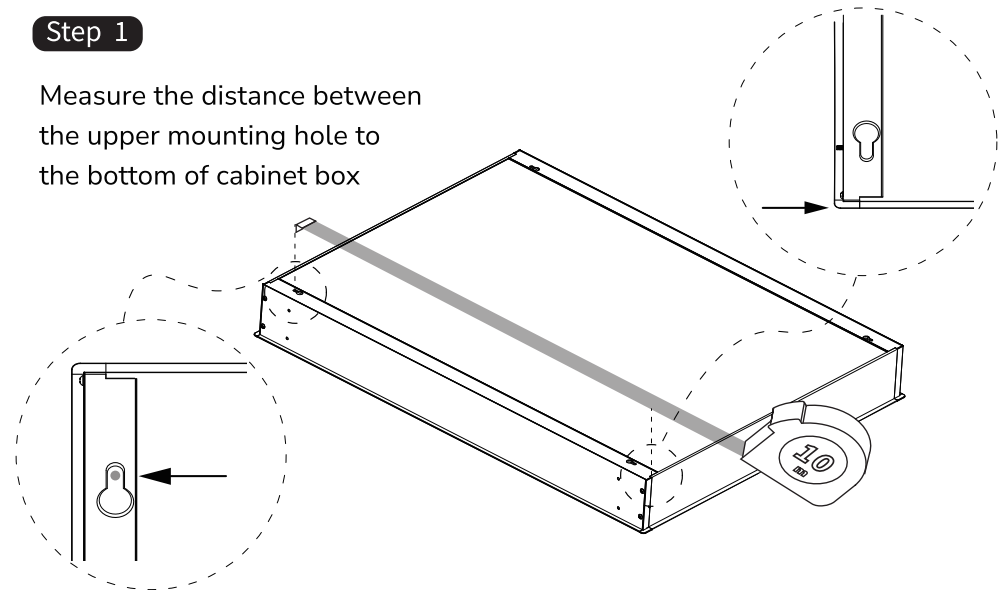


WALL MOUNTING

8-1

Step 1

Measure the distance between the upper mounting hole to the bottom of cabinet box

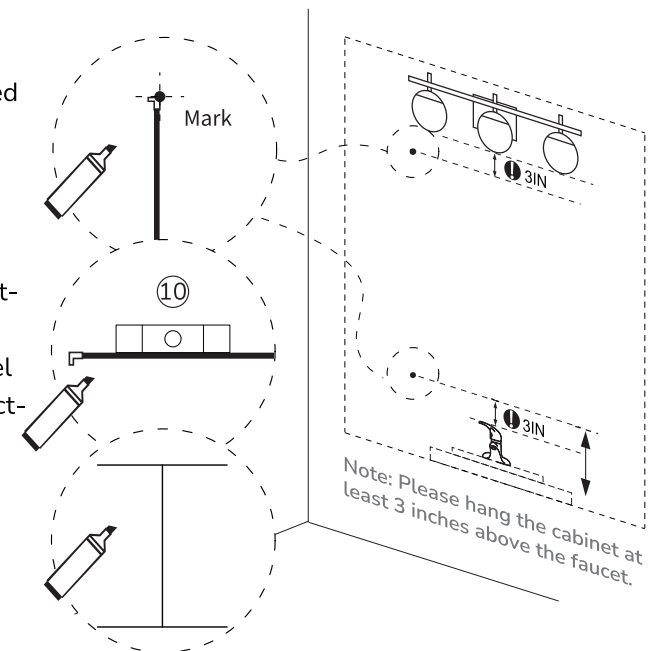


Step 2

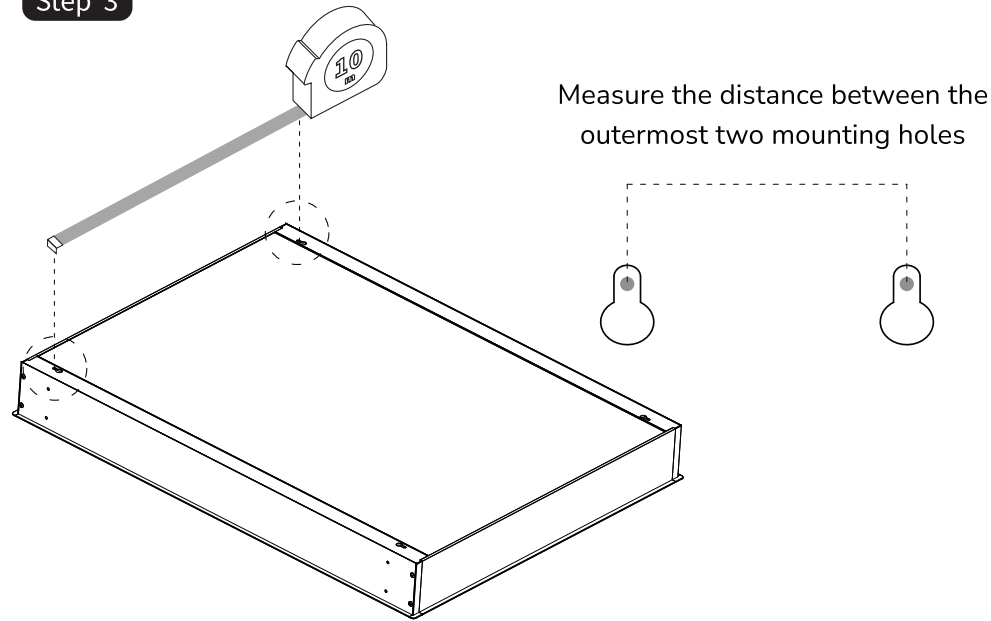
1. Based on the measured distance, mark spots for the mounting holes on the wall.

2. From the two designated spots, draw straight lines using a bubble level to ensure they are perfectly horizontal.

3. Draw a vertical line at the middle of vanity sink as a reference.

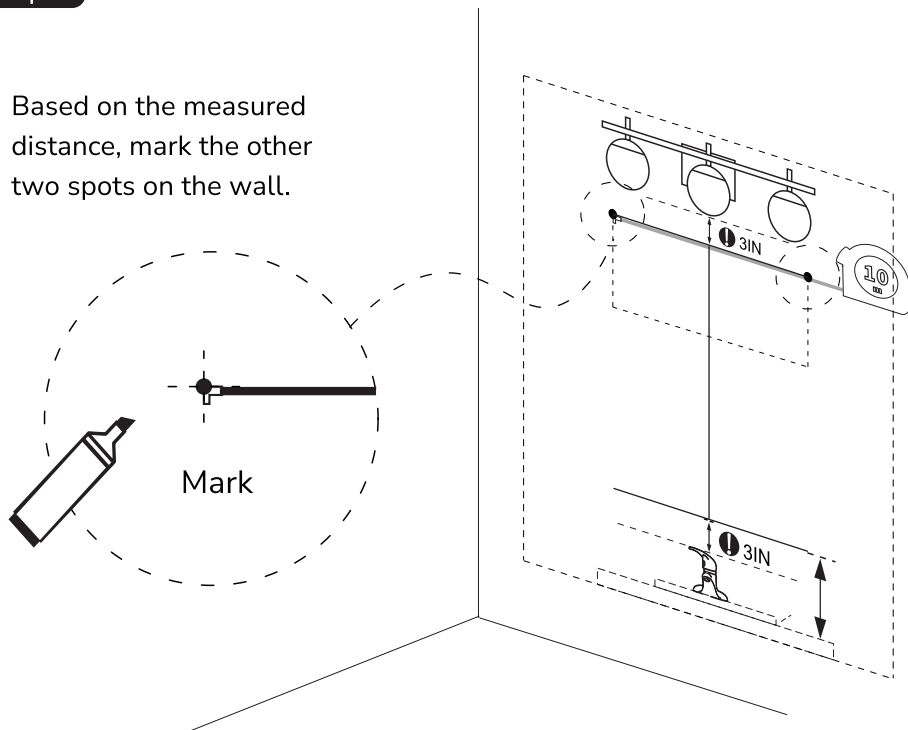


Step 3



Step 4

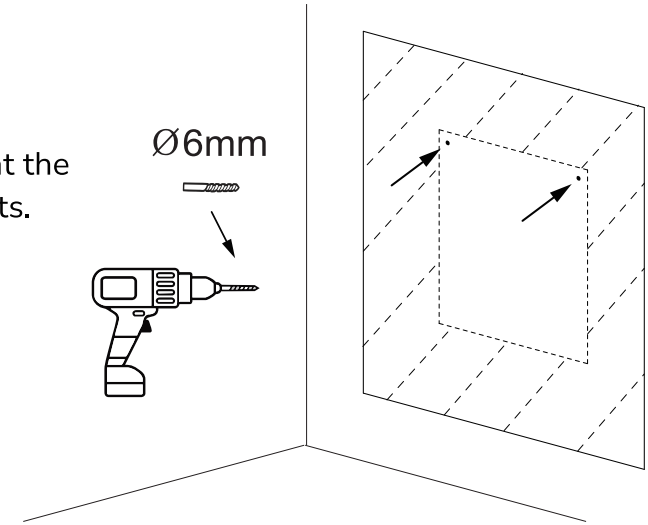
Based on the measured distance, mark the other two spots on the wall.



8-2



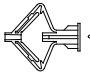

Step 1

Drill holes at the marked spots.

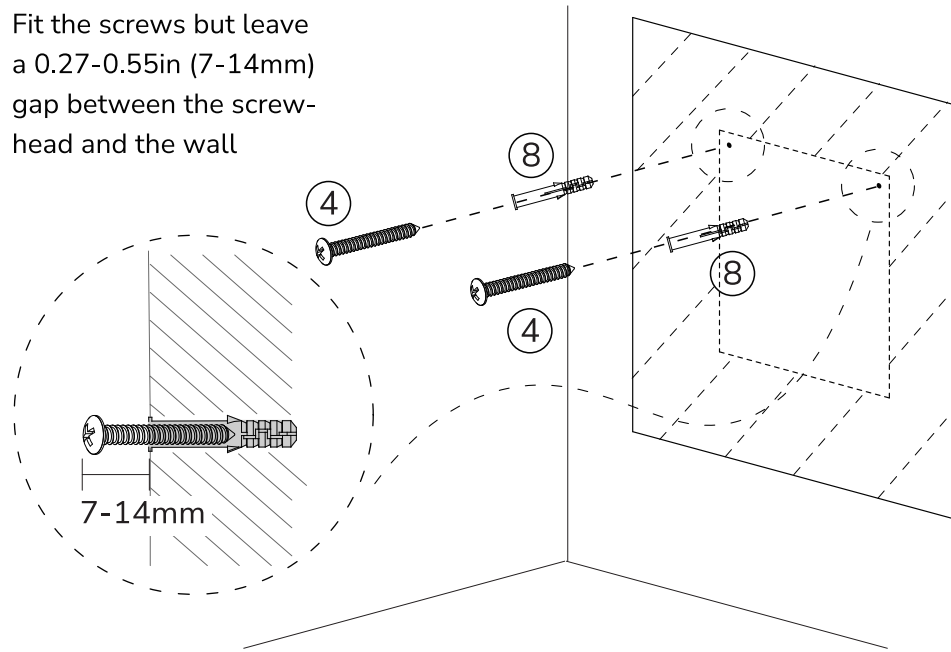


Step 2

Choose appropriate drill bits that match the thickness and material of the wall to ensure secure mounting.

Thickness of Wall :	Recommended Drill Bit :
> 5/8" (16mm)	1/4" (6mm) drill bit, drilling depth in 1 31/32" (50mm)  
5/16" (8)-5/8" (16mm)	25/64" (10mm) drill bit  
< 5/16" (8mm)	Unapplicable

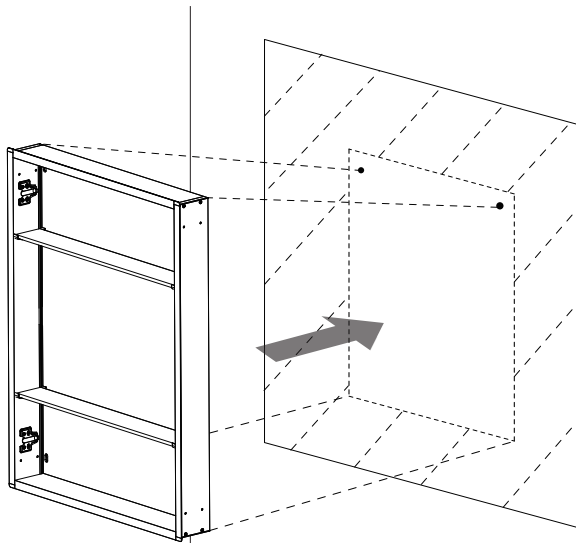
Fit the screws but leave a 0.27-0.55in (7-14mm) gap between the screw-head and the wall



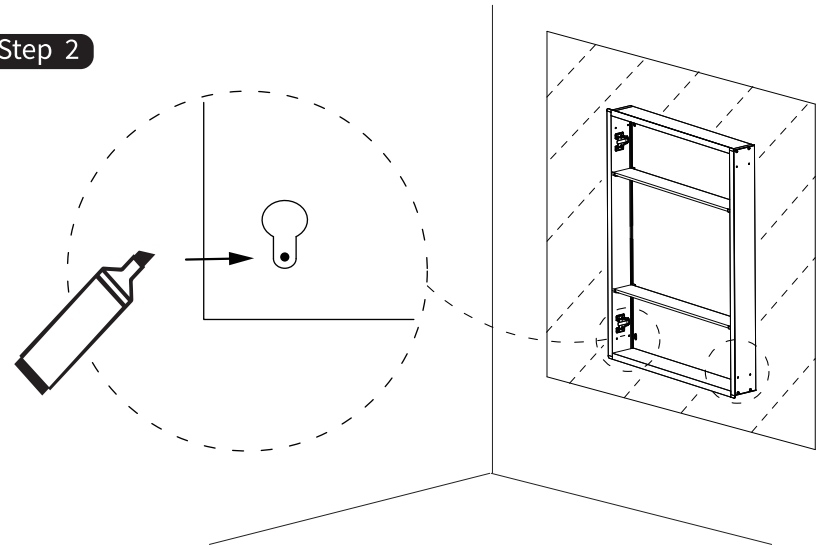
8-3

Step 1

Place the mirror cabinet on the wall



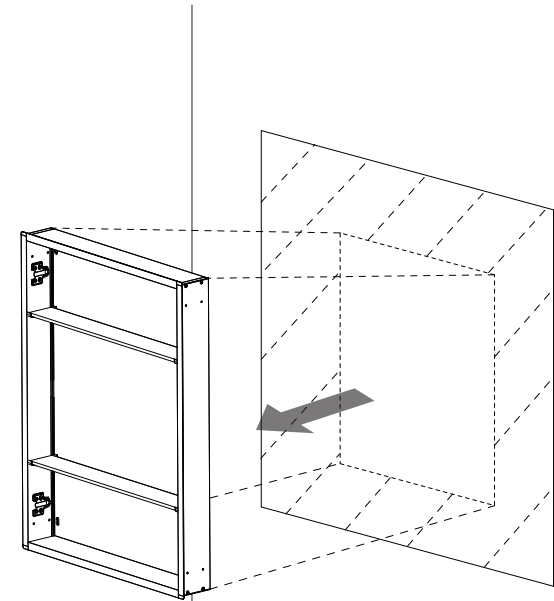
Step 2



Mark the two bottom spots on the wall.

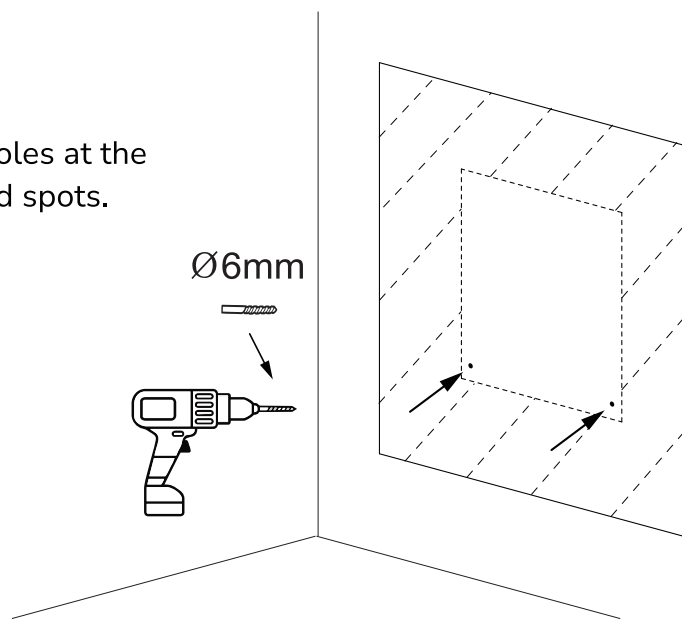
8-4

Step 1



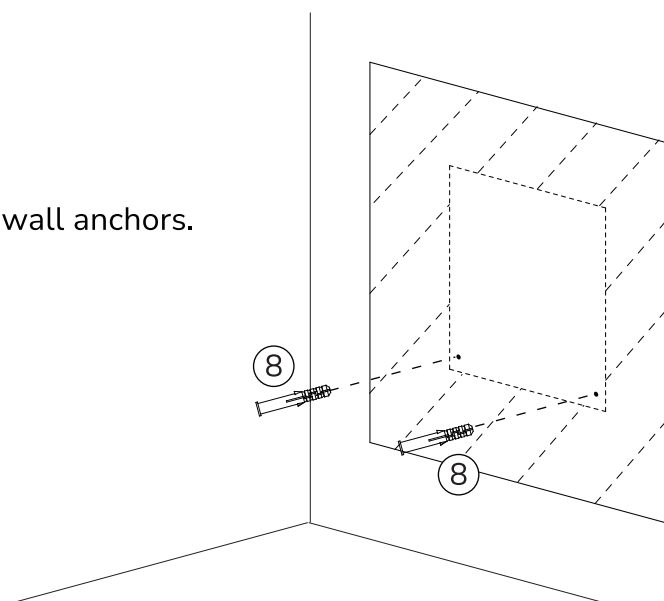
Step 2

Drill holes at the marked spots.



Step 3

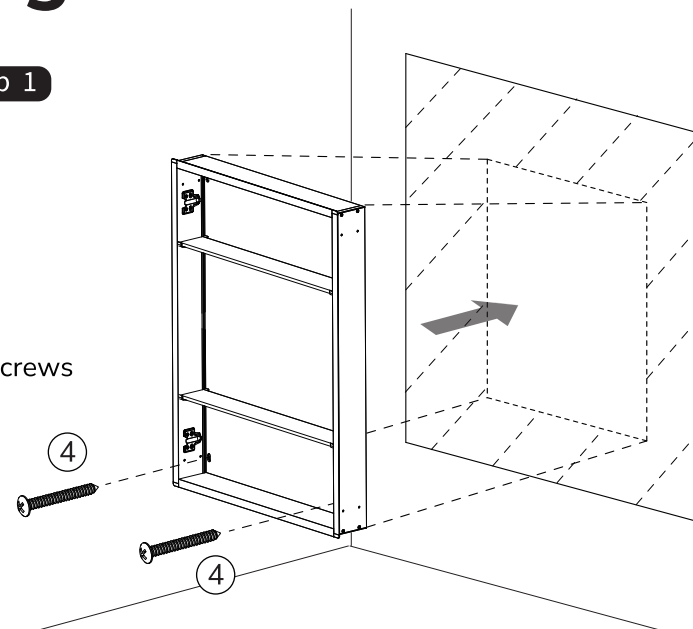
Install wall anchors.



8-5

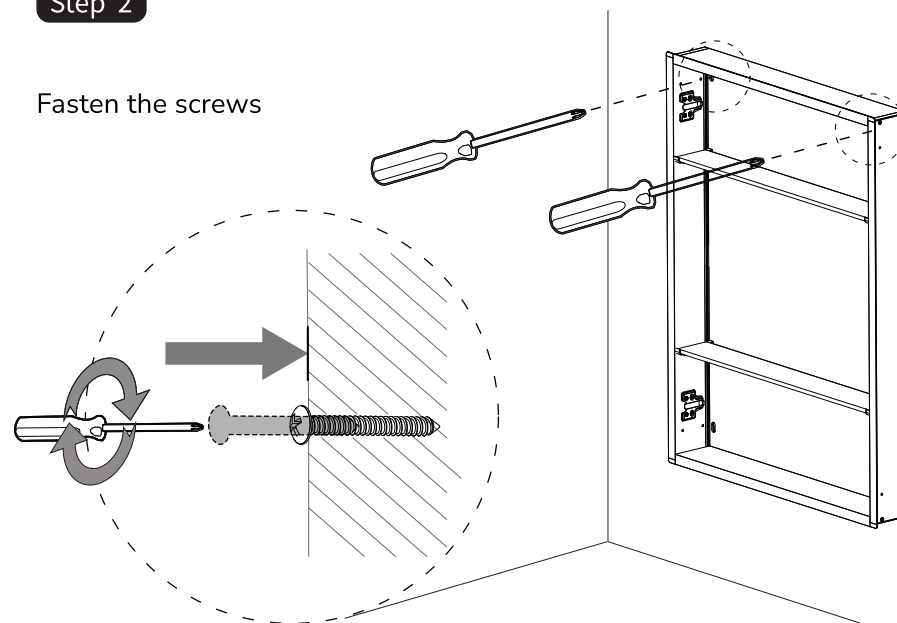
Step 1

Set screws



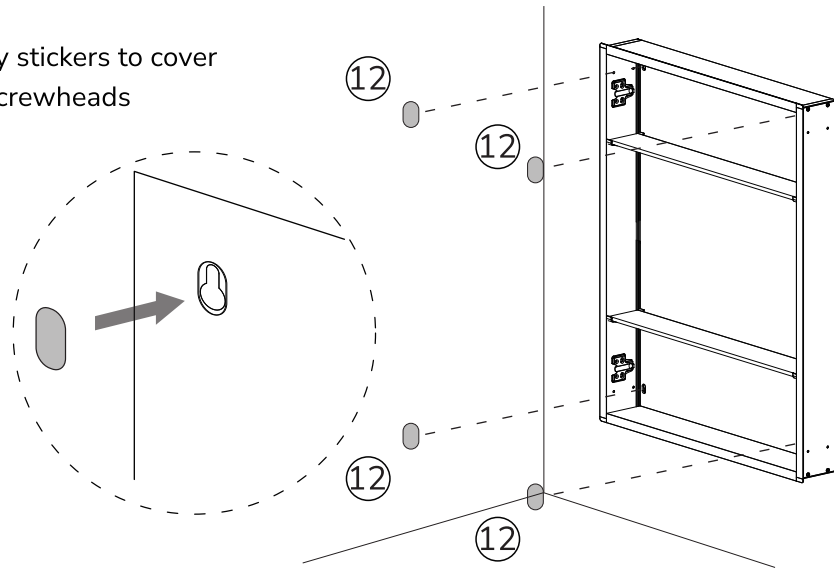
Step 2

Fasten the screws

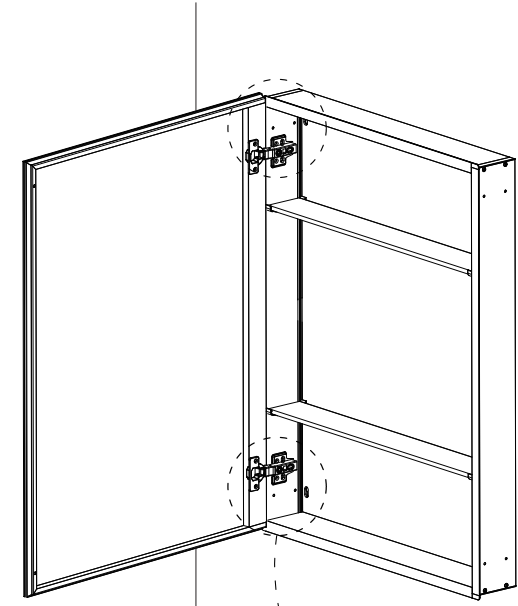


8-6

Apply stickers to cover the screwheads

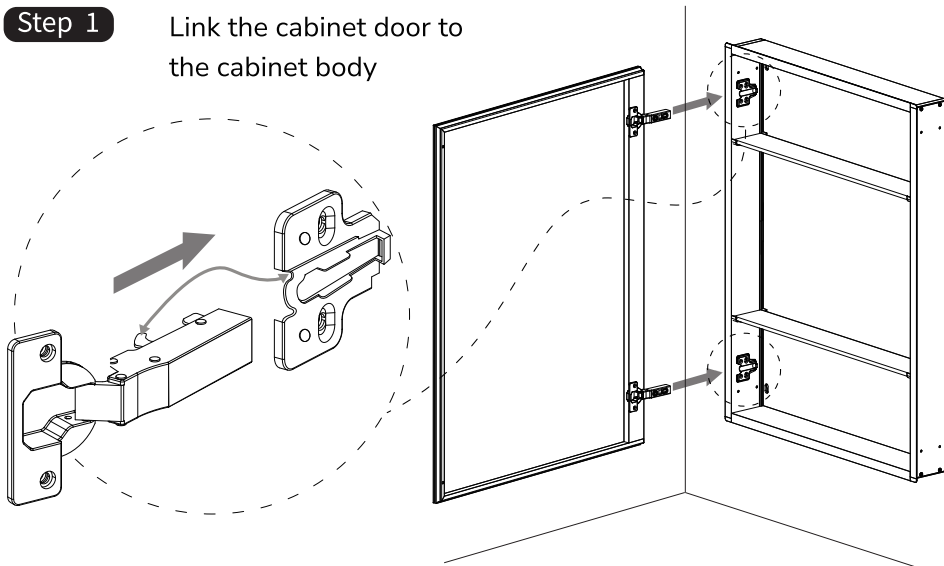


Step 2

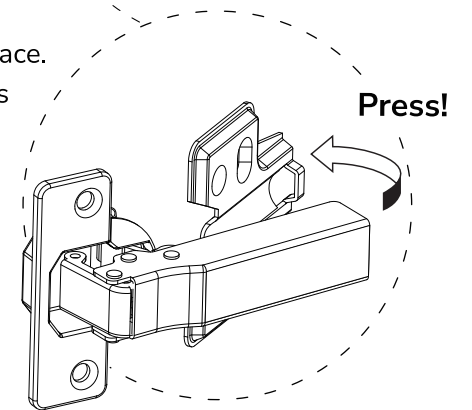


8-7

Step 1 Link the cabinet door to the cabinet body

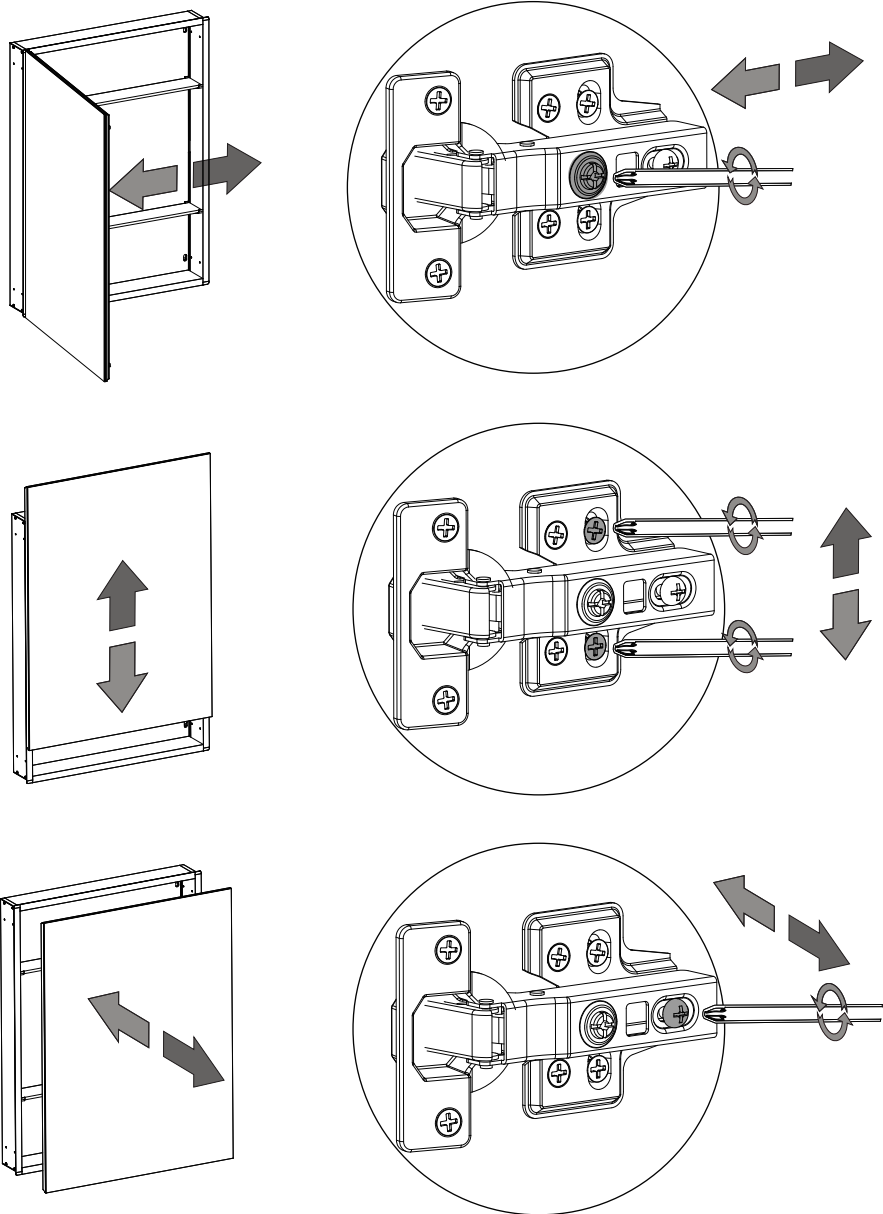


Press the hydraulic hinge into place. Once you hear a click, it indicates that the installation is complete.



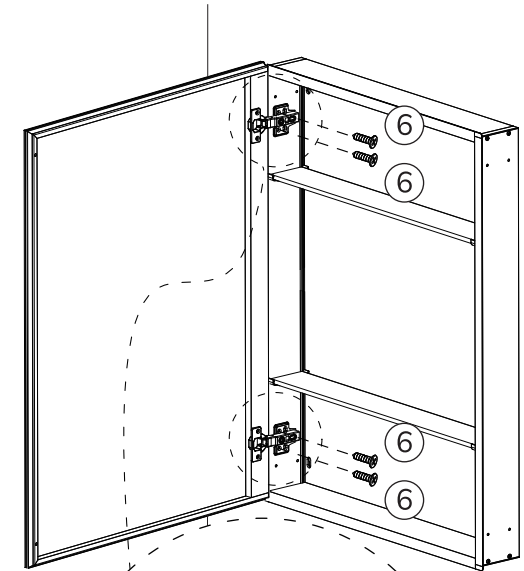
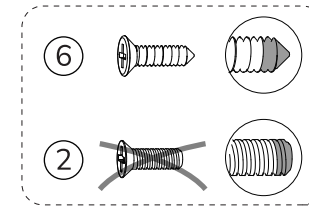
HOW TO ADJUST HYDRAULIC HINGES

Open the hydraulic hinge cover and adjust the cabinet door by fastening or loosening the screws accordingly.



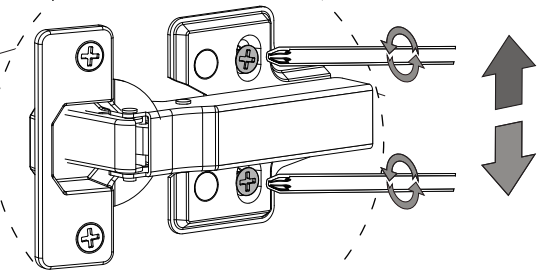
8-8

Adjust hinge



Step 1

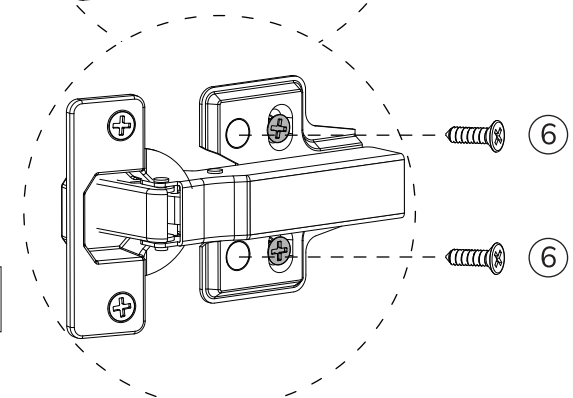
1. Adjust the screws on hydraulic hinge, ensuring the cabinet door locates perfectly.



Step 2

2. Fasten the screws

Installation Completed

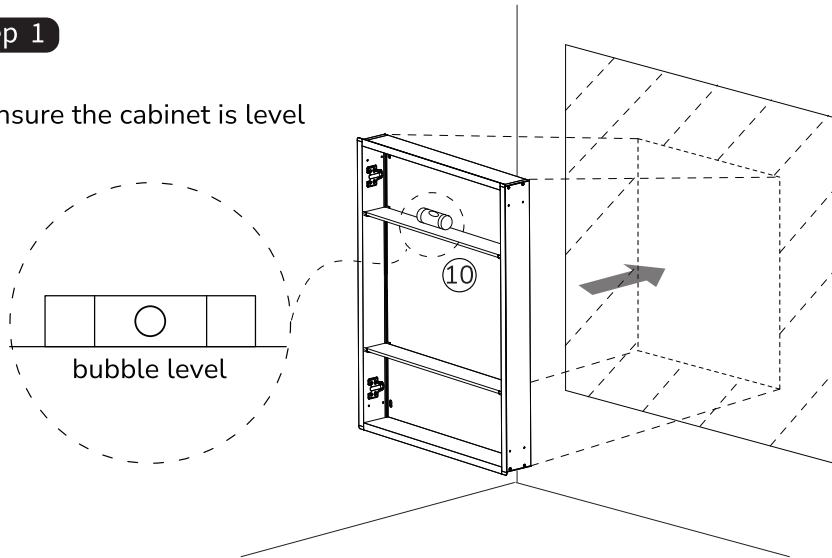


RECESSED MOUNTING

9-1

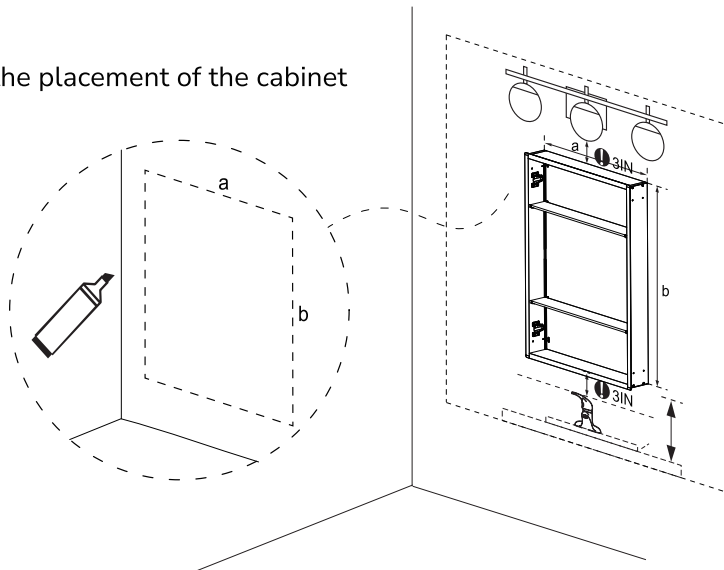
Step 1

Ensure the cabinet is level



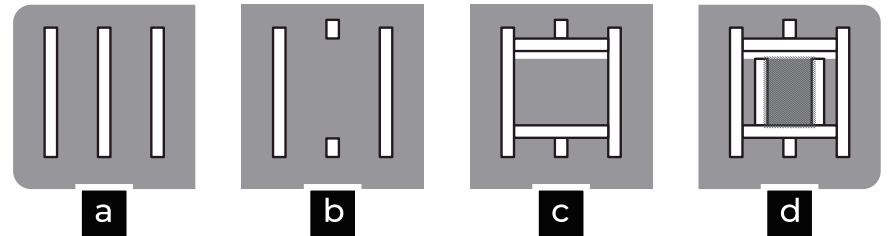
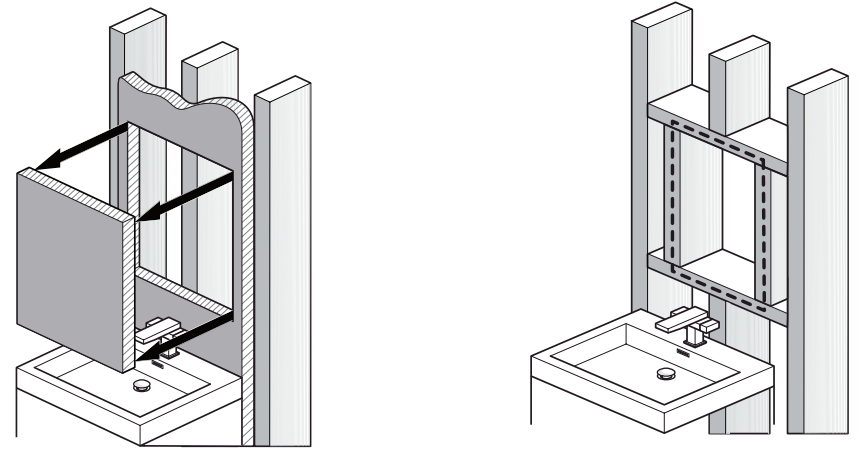
Step 2

Mark the placement of the cabinet



Note: Please hang the cabinet at least 3 inches above the faucet.

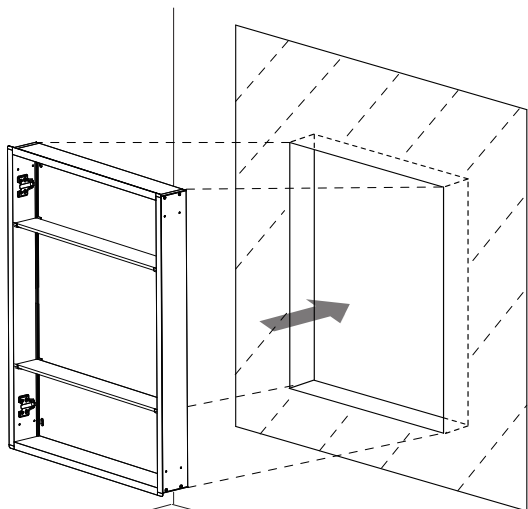
9-2



- Mark the center stud;
- Saw it for cabinet to rest on;
- Add additional 2 studs on the top and at the bottom of the opening to support the cabinet;
- Two more studs on both sides for the cabinet to be secured on.

9-3

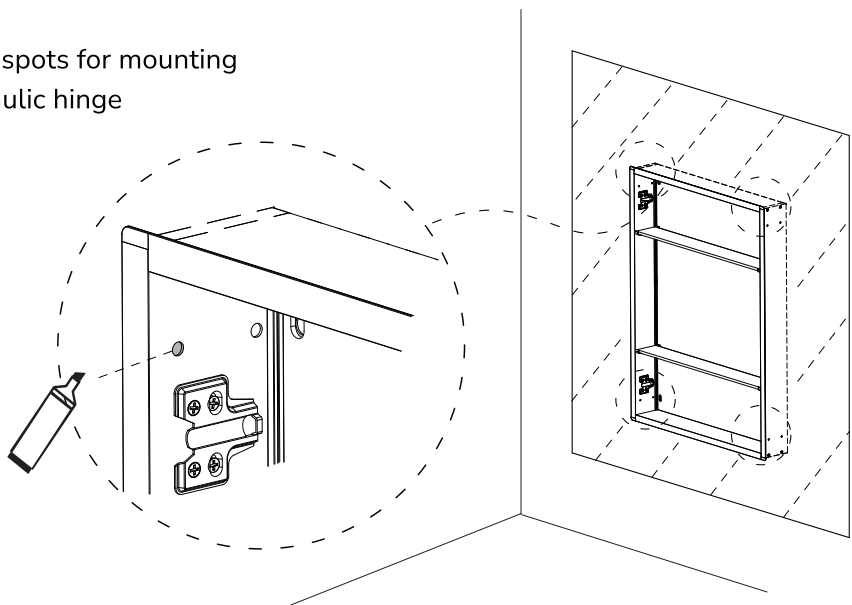
Step 1



Place the mirror cabinet into the wall

Step 2

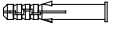



Mark spots for mounting hydraulic hinge



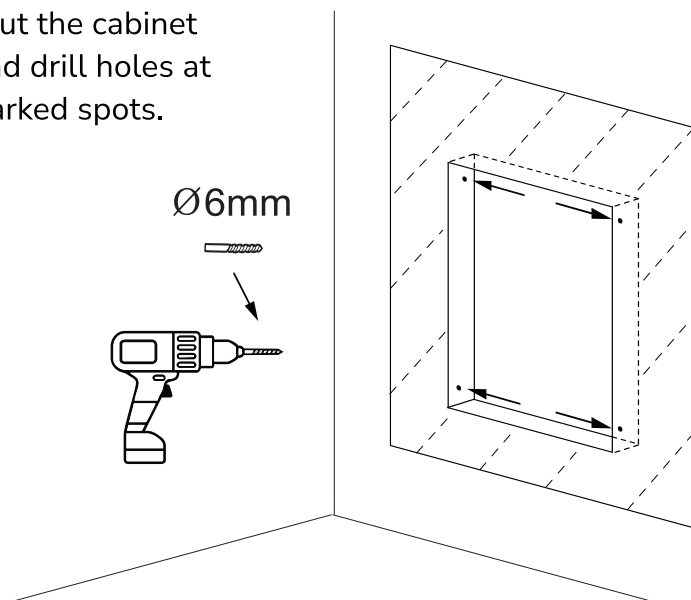
9-4

Step 1

Choose appropriate drill bits that match the thickness and material of the wall to ensure secure mounting.

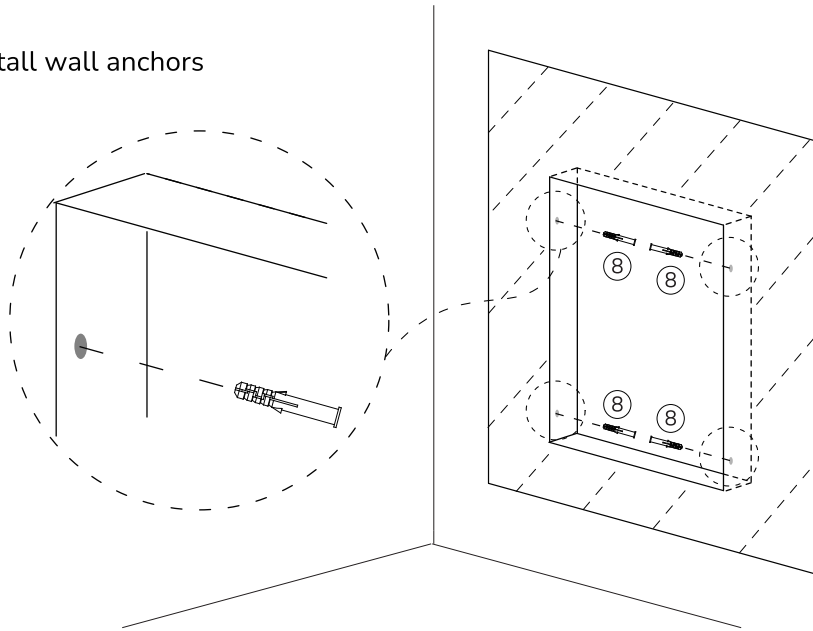
Thickness of Wall :	Recommended Drill Bit :
> 5/8" (16mm)	1/4" (6mm) drill bit, drilling depth in 1 31/32" (50mm)  
5/16" (8)-5/8" (16mm)	25/64" (10mm) drill bit  
< 5/16" (8mm)	Unapplicable

Take out the cabinet box and drill holes at the marked spots.



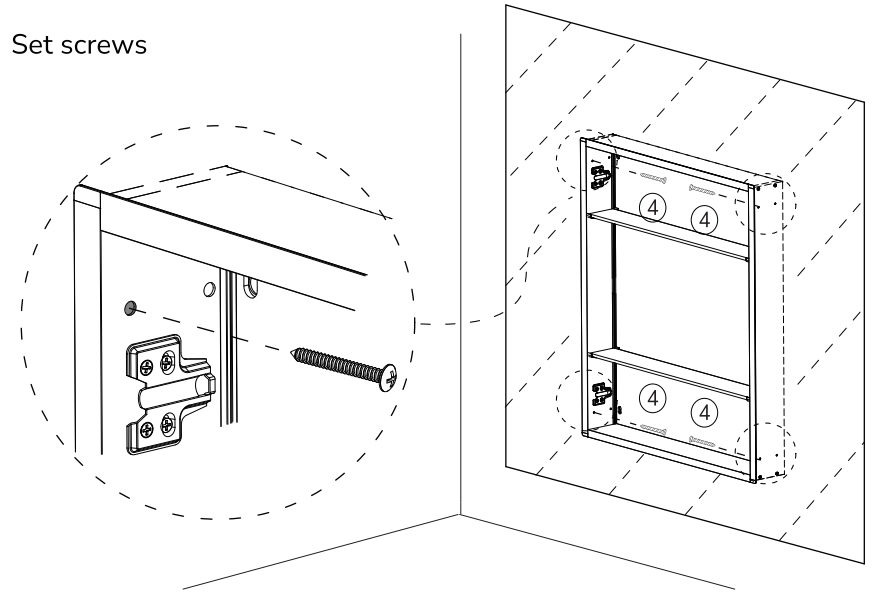
Step 2

Install wall anchors



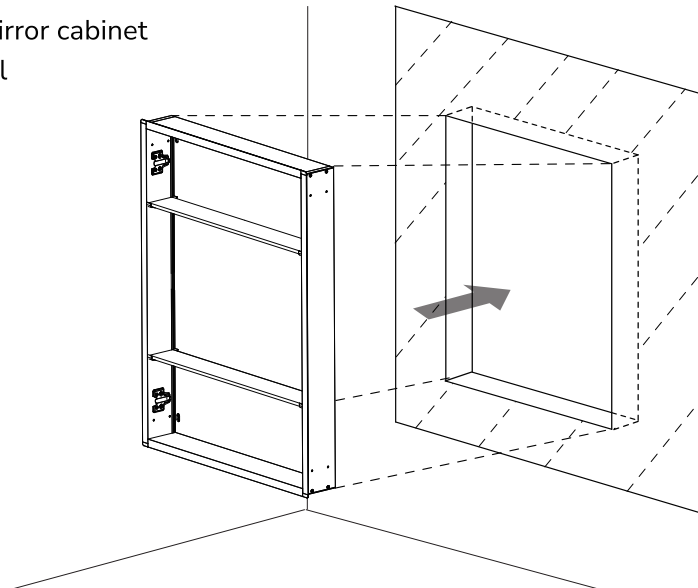
Step 4

Set screws



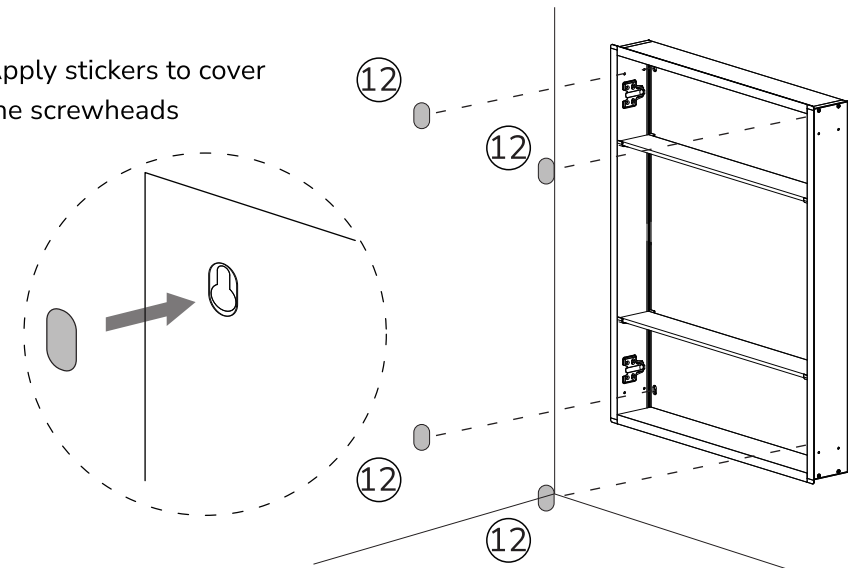
Step 3

Place the mirror cabinet into the wall



9-5

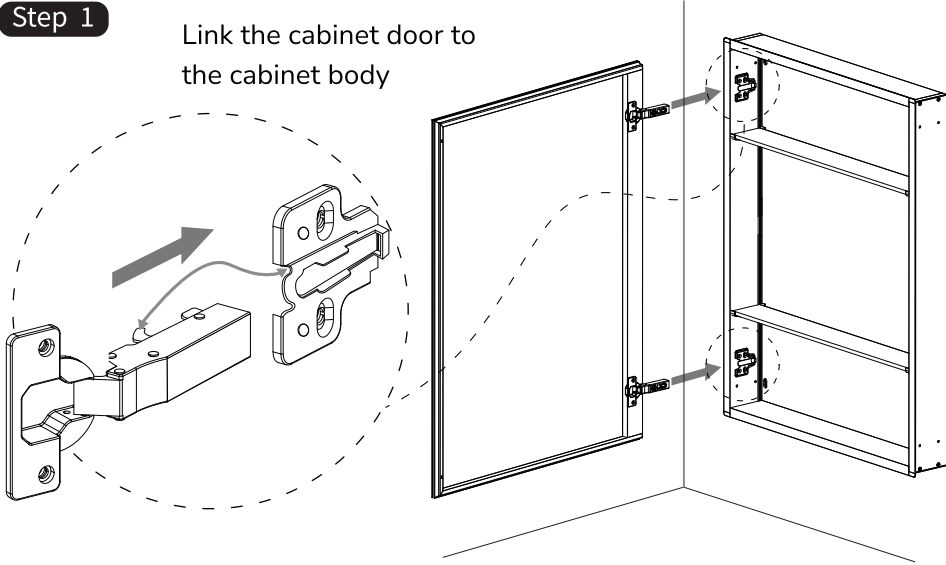
Apply stickers to cover the screwheads



9-6

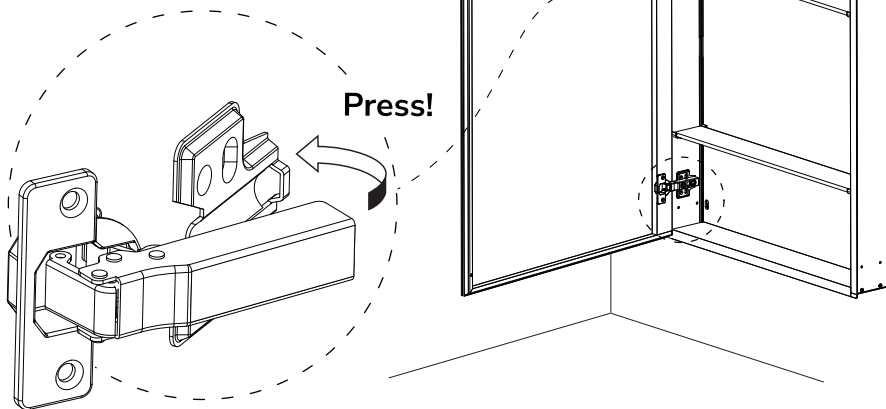
Step 1

Link the cabinet door to the cabinet body



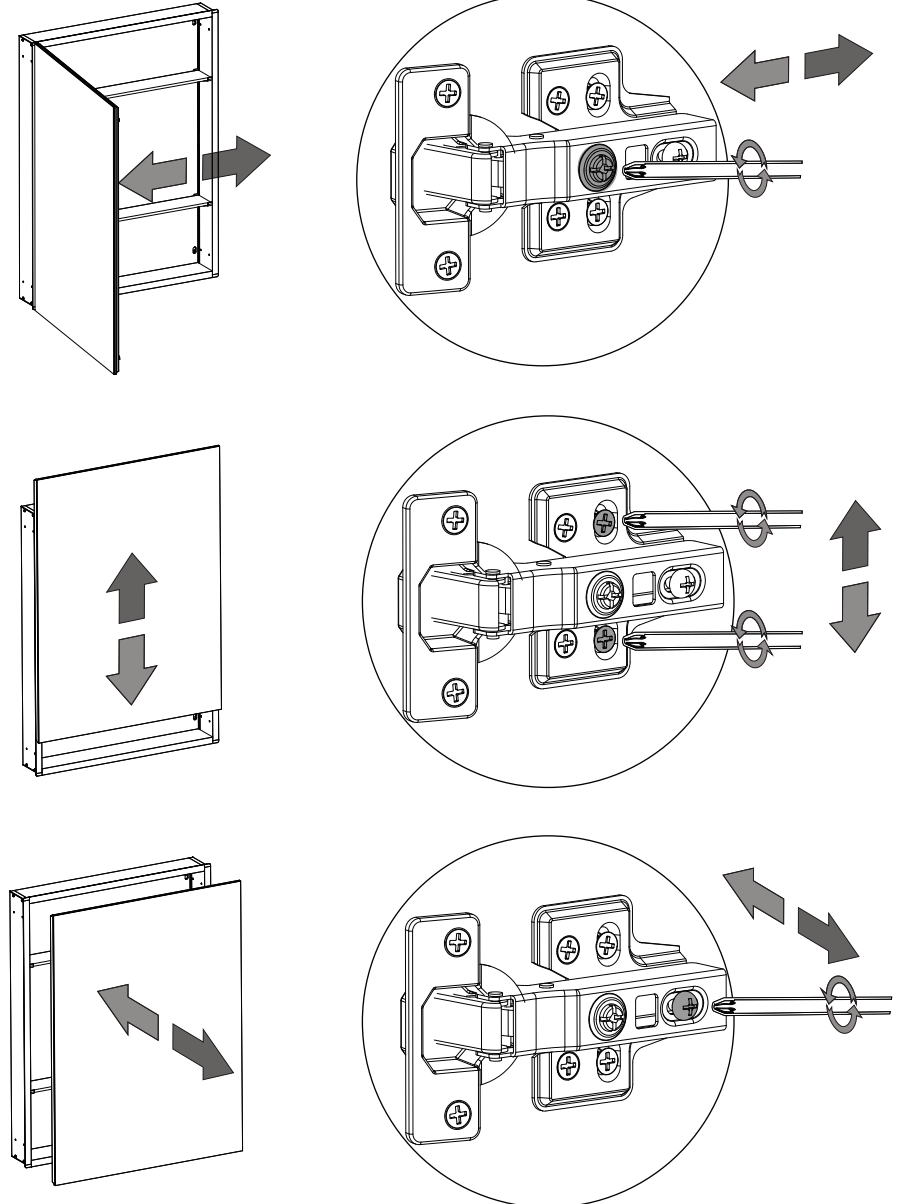
Step 2

Press the hydraulic hinge into place. Once you hear a click, it indicates that the installation is complete.



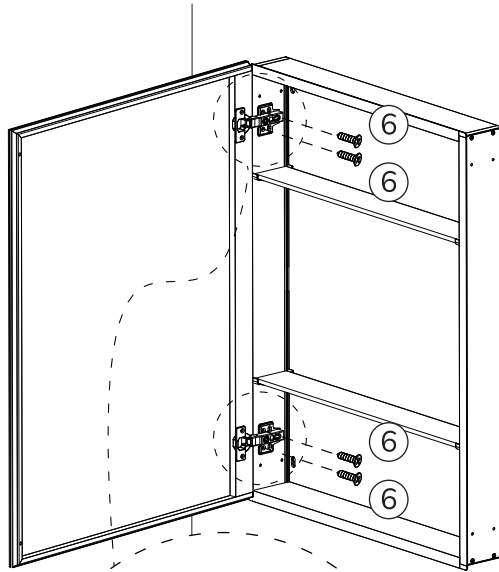
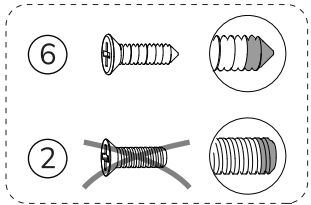
HOW TO ADJUST HYDRAULIC HINGES

Open the hydraulic hinge cover and adjust the cabinet door by fastening or loosening the screws accordingly.



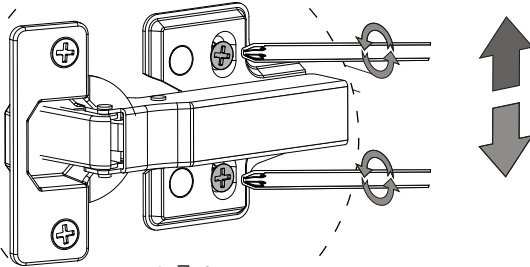
9-7

Adjust hinge



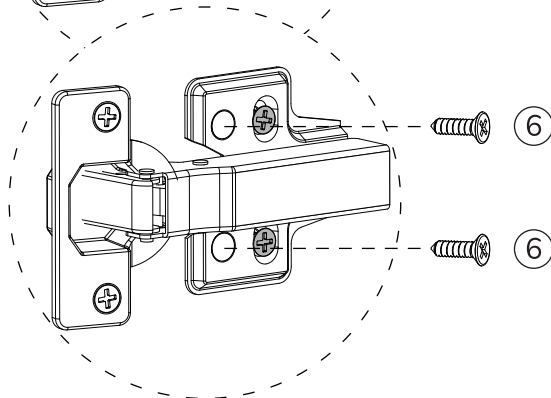
Step 1

1. Adjust the screws on hydraulic hinge, ensuring the cabinet door locates perfectly.



Step 2

2. Fasten the screws



Installation Completed

HOW TO CLEAN

When cleaning the mirror, please follow these instructions:

1. Use a soft, non-abrasive cloth to clean the mirror. Avoid using rough or abrasive materials that may damage the surface.
2. Do not use any cleaning agents that may cause irritation or damage to the mirror's finish. Instead, use any of the recommended cleansers to remove dirt and grime:
 - Gentle liquid detergents
 - Colorless cleansers
3. If any adhesive residue left, please wipe it off with a cloth dipped in water (instead of detergents).

★ Warranty

A two-year warranty from the date of your purchase.