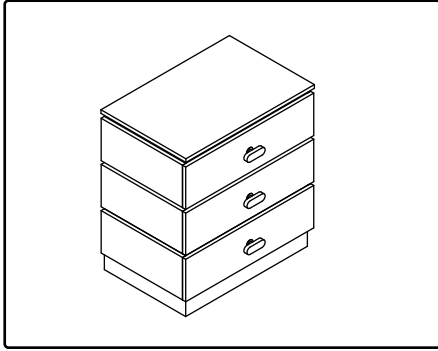


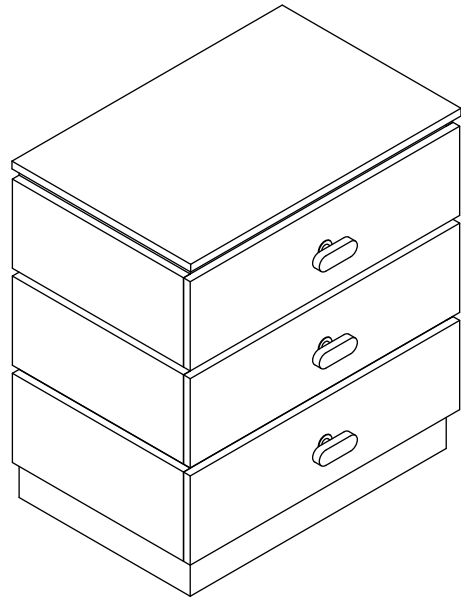
ASSEMBLY INSTRUCTIONS



+ Parts Included

①

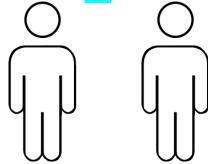
x1



+ Do Not Use
Power Tools



+ Suggested
Adults



NOTE:

- 1 Read instructions cover to cover.
- 2 Save all packaging until assembly is completed.

1 IMPORTANT SAFETY INFORMATION

Do not assemble the product if any of the following parts arrived damaged:

Part ① - Table

2 IMPORTANT ASSEMBLY INFORMATION

- Assembly Step ① Unscrew screw and take handle parts from inside of drawer.
- Assembly Step ② Put acrylic handle in place and fasten tight on door of drawer.
- Assembly Step ③ Put the expander screw on your wall and fasten tip-over tag if any necessary.

*Warning: Do not over tighten screws, or it could damage the Table Top.

+ Hardware Included

A



Expander
M6x55 2PCS

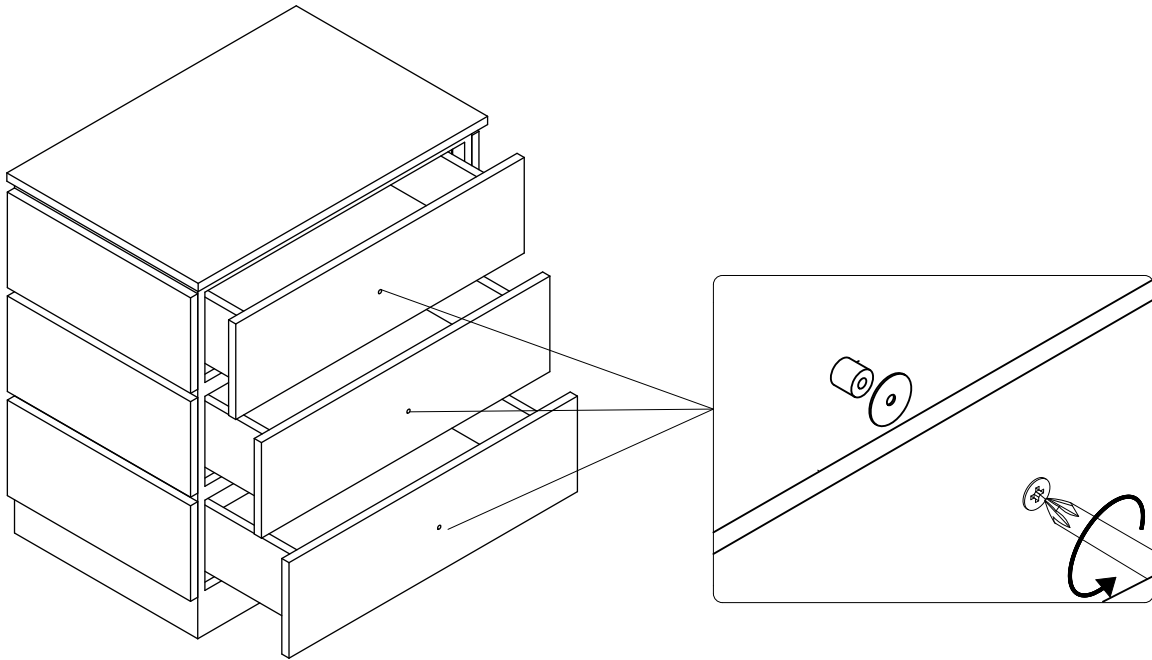
B



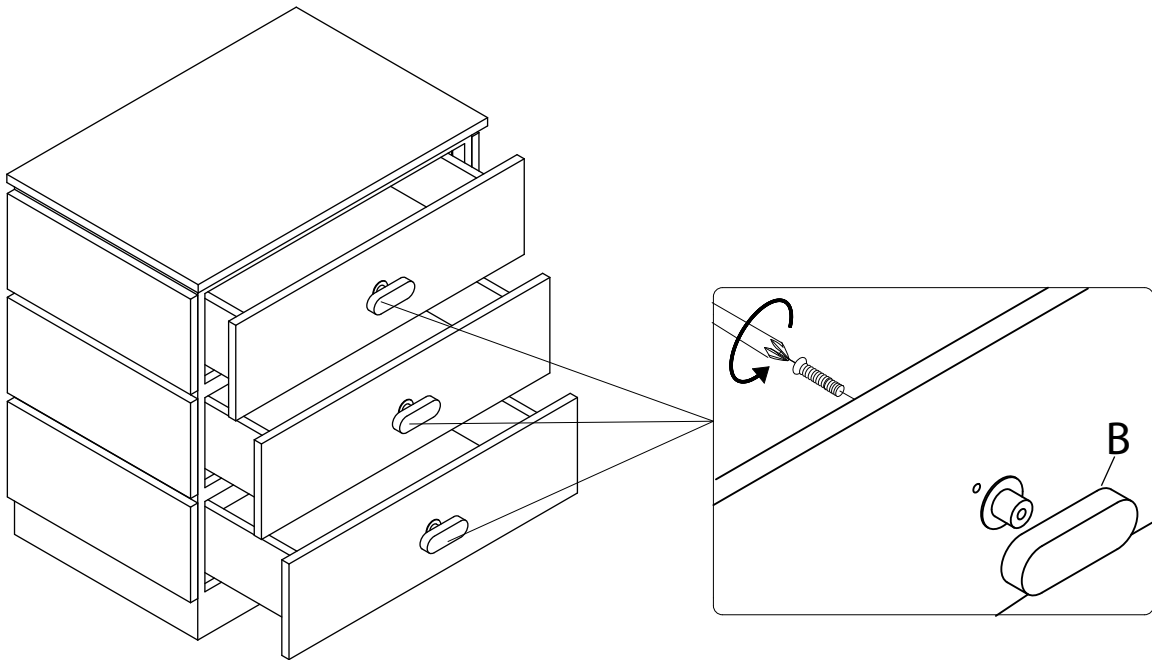
Acrylic Handle
3PCS

ASSEMBLY INSTRUCTIONS

1

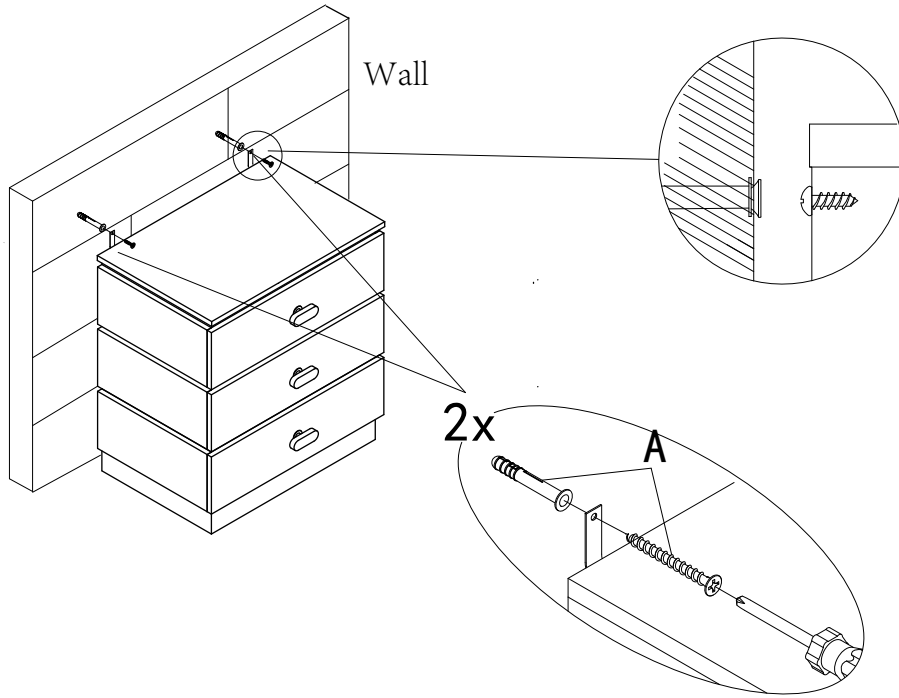


2



ASSEMBLY INSTRUCTIONS

3



Put the expander screw on your wall if any necessary.