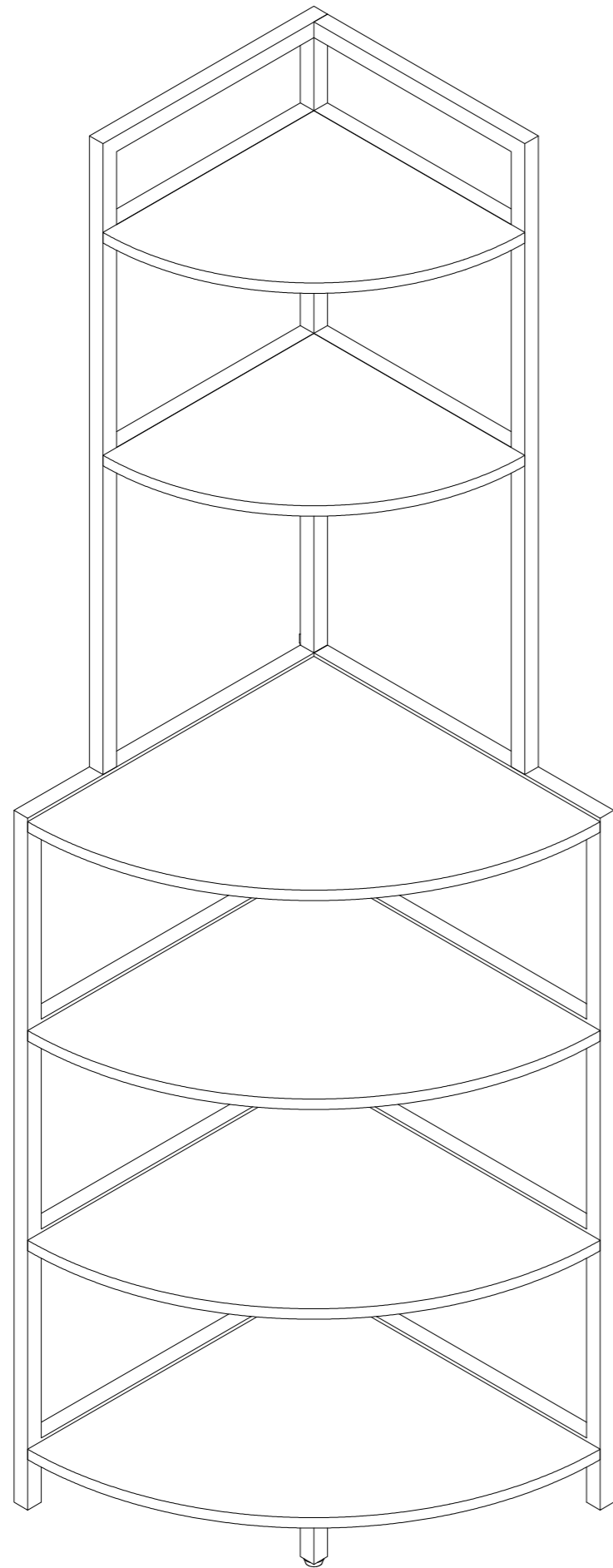
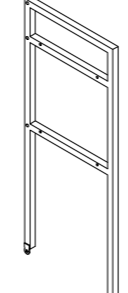
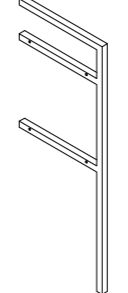
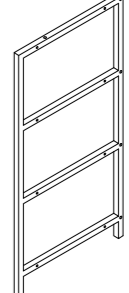
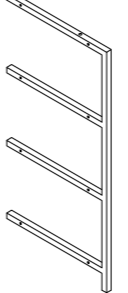
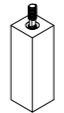
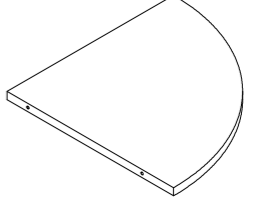
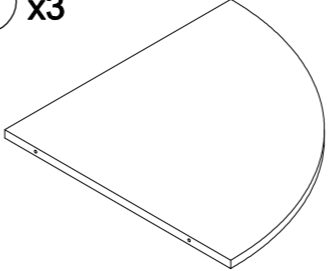
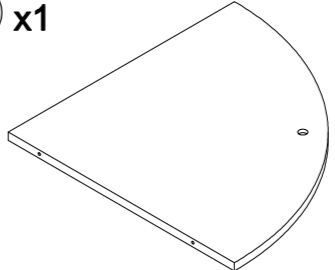


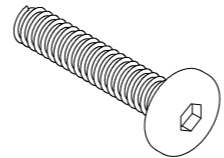
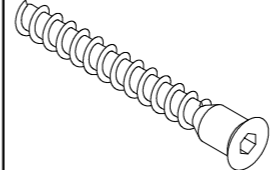
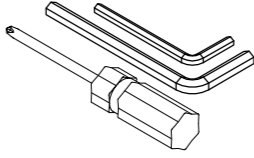
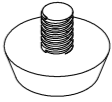
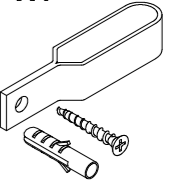
ASSEMBLY INSTRUCTIONS



PARTS LIST

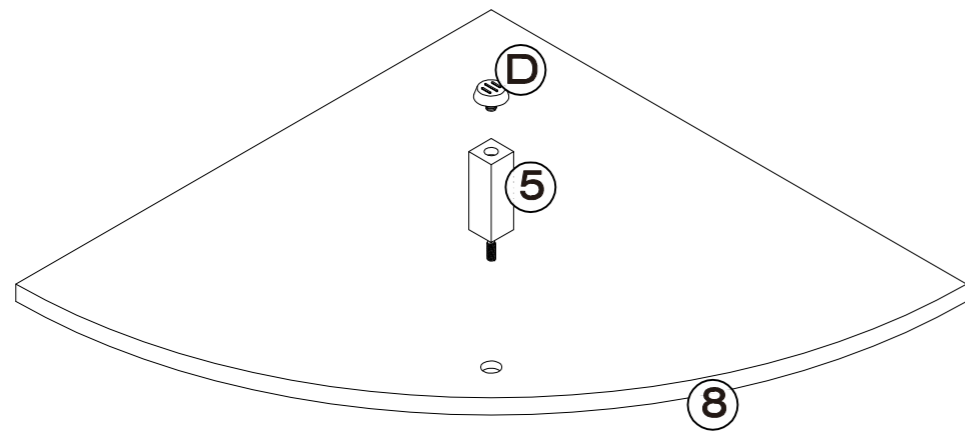
1 x1 	2 x1 	3 x1 
4 x1 	5 x1 	6 x2 
7 x3 	8 x1 	

HARDWARE LIST

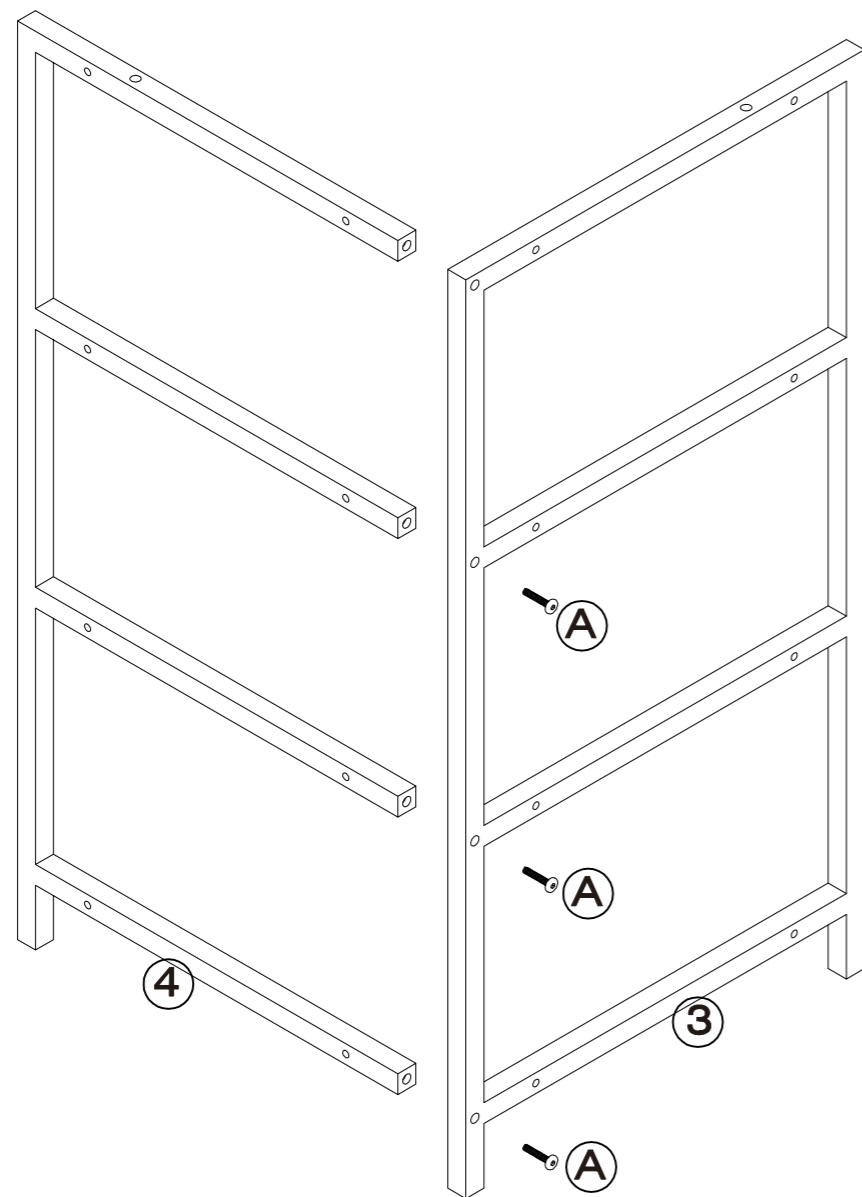
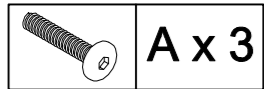
A x9  1/4 X 1-1/4	B x24  5.0 X 40	C x1 	D x1 	E x1  4.0 X 35
--	--	--	--	---

ASSEMBLY INSTRUCTIONS

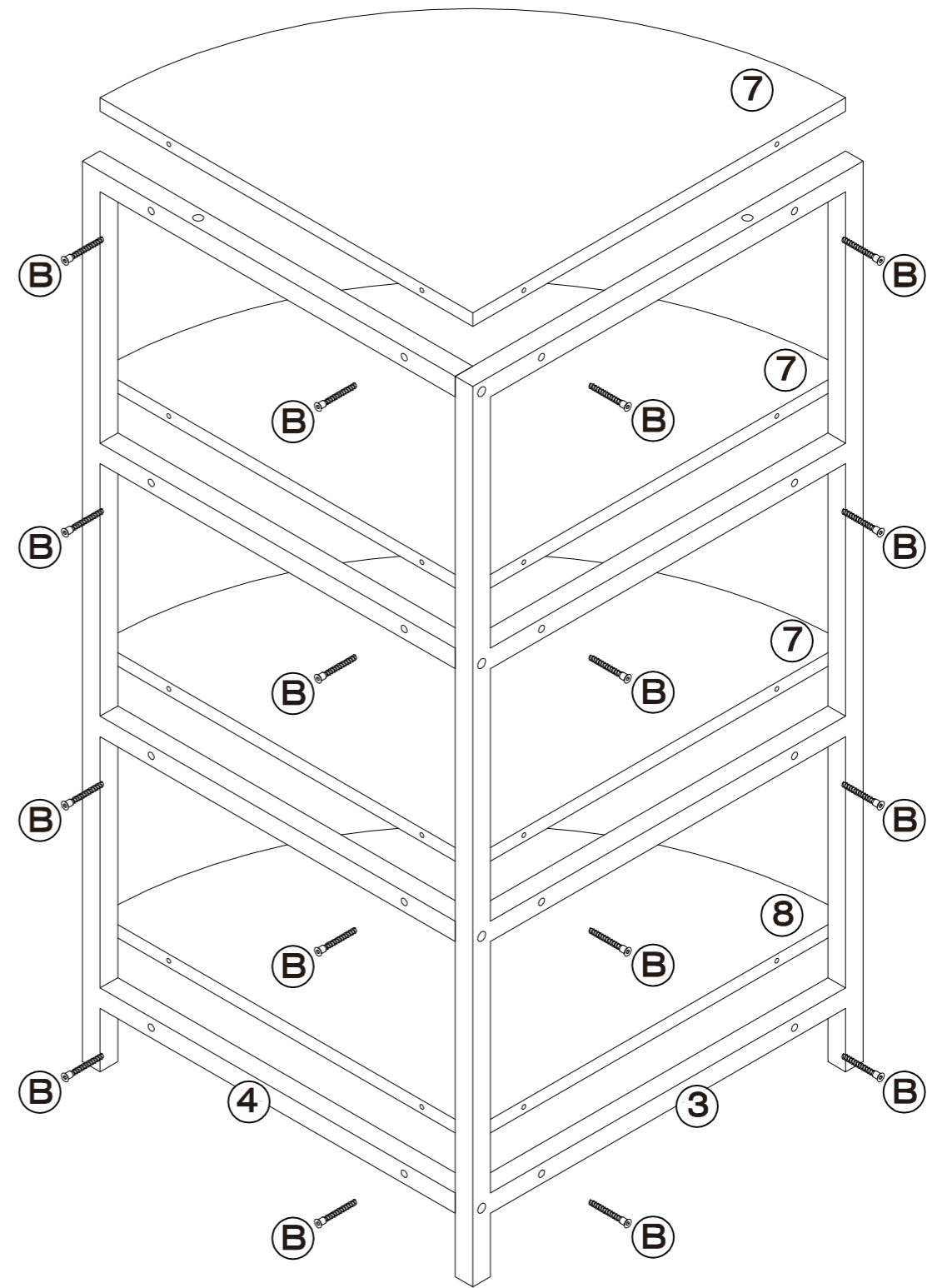
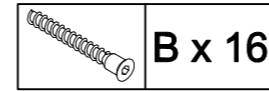
STEP 1



STEP 2

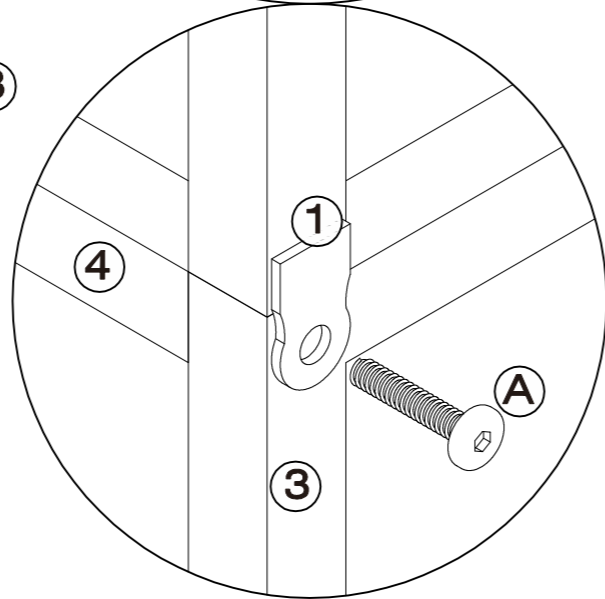
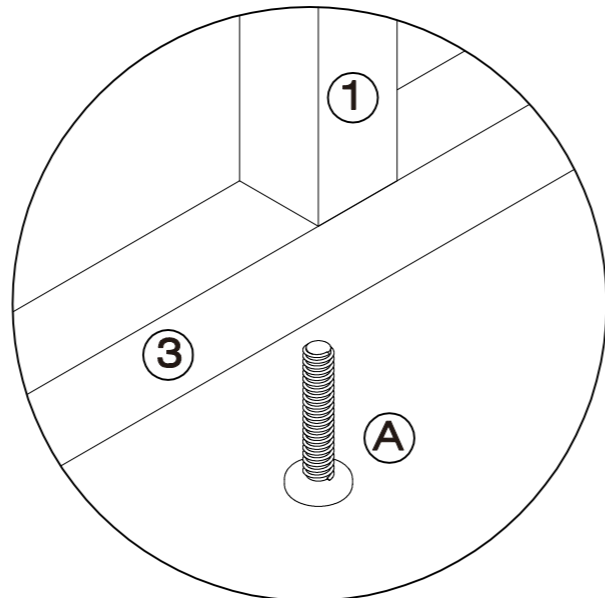
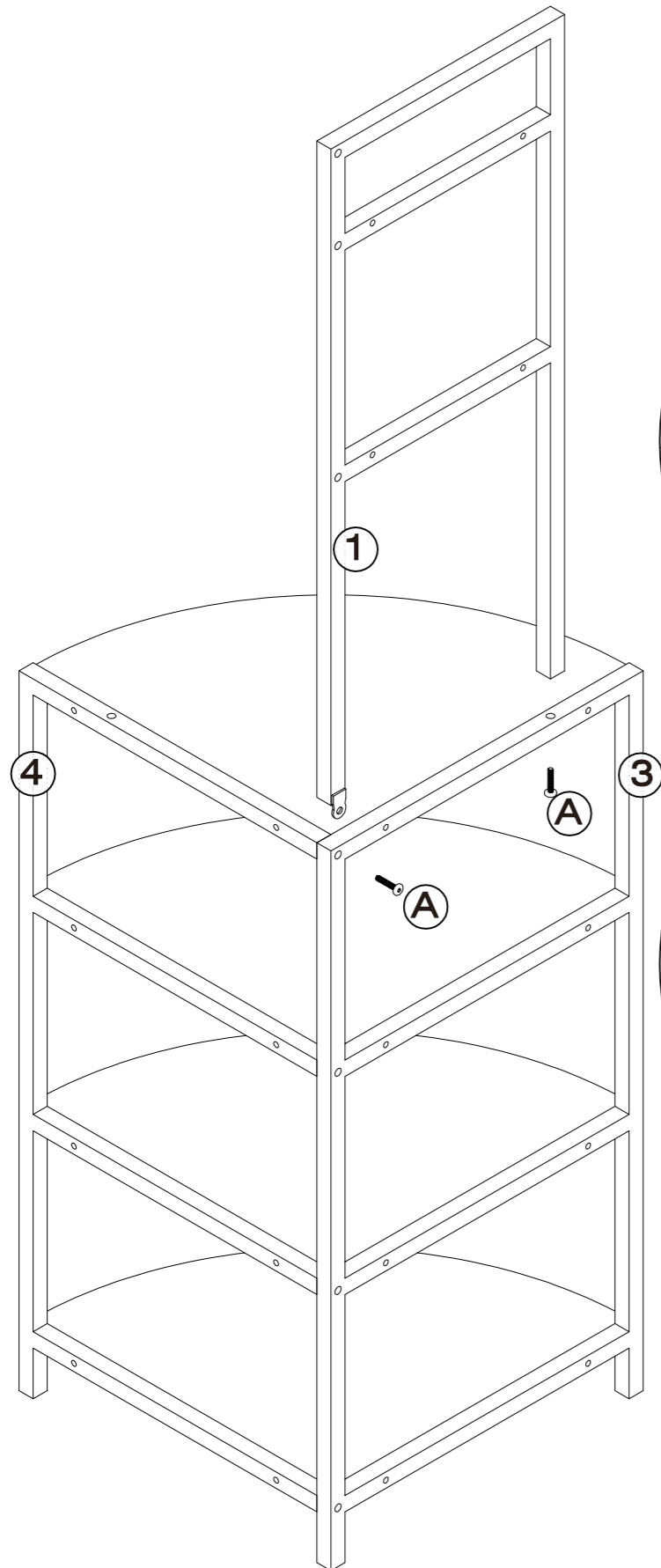


STEP 3

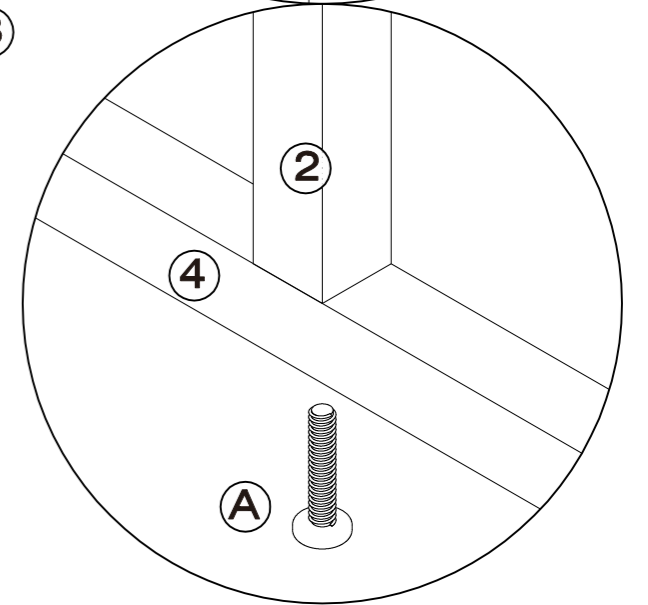
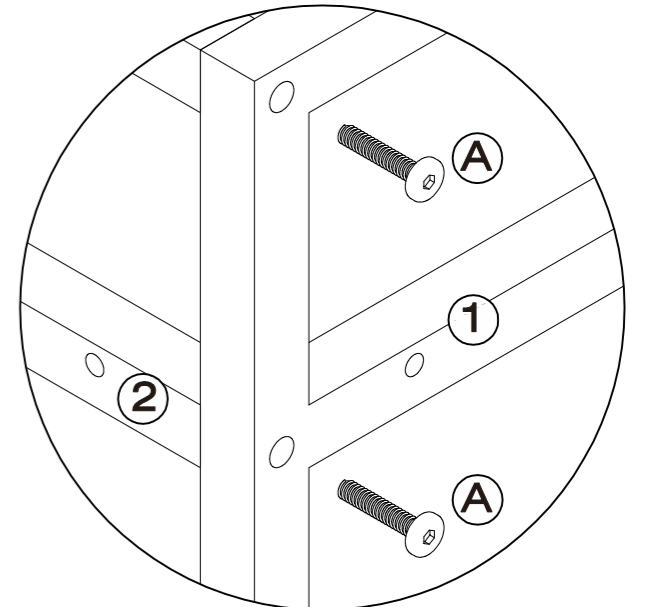
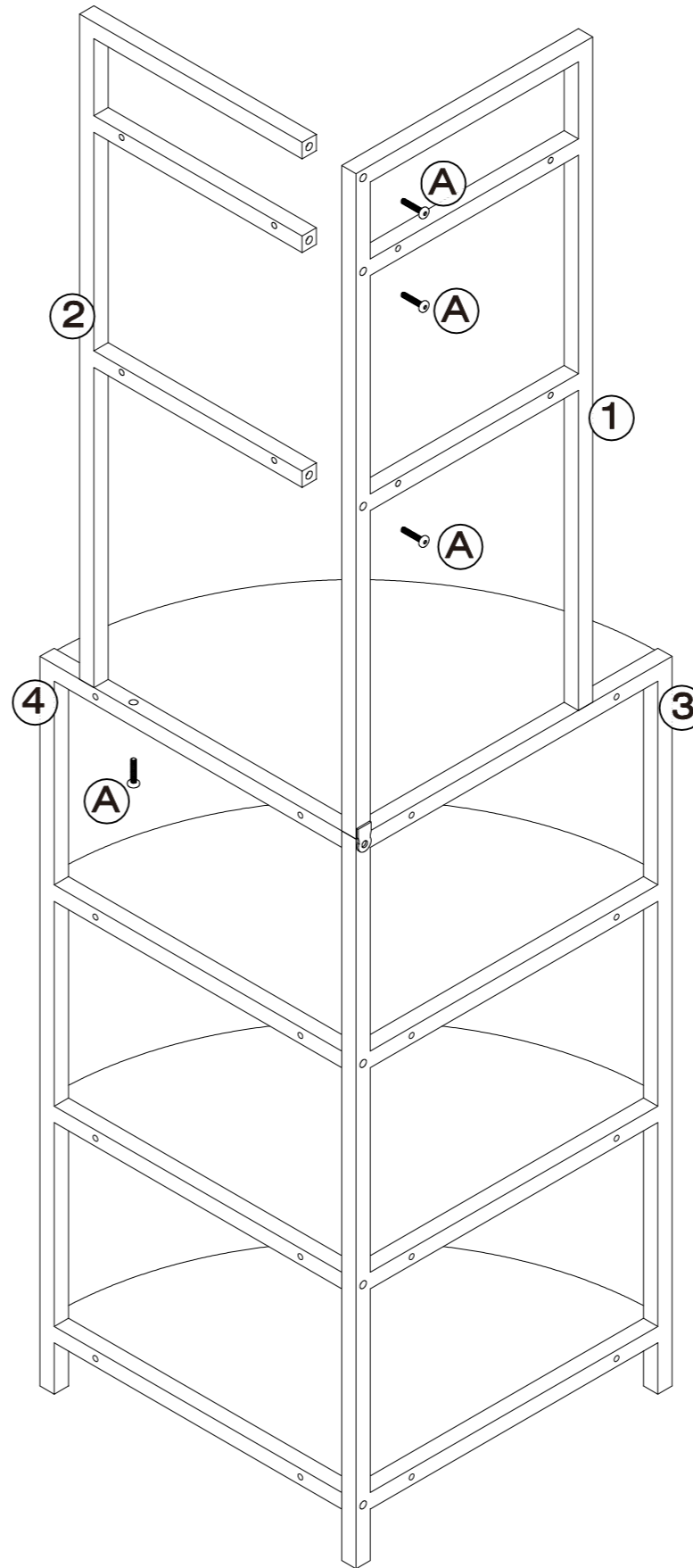


ASSEMBLY INSTRUCTIONS

STEP 4

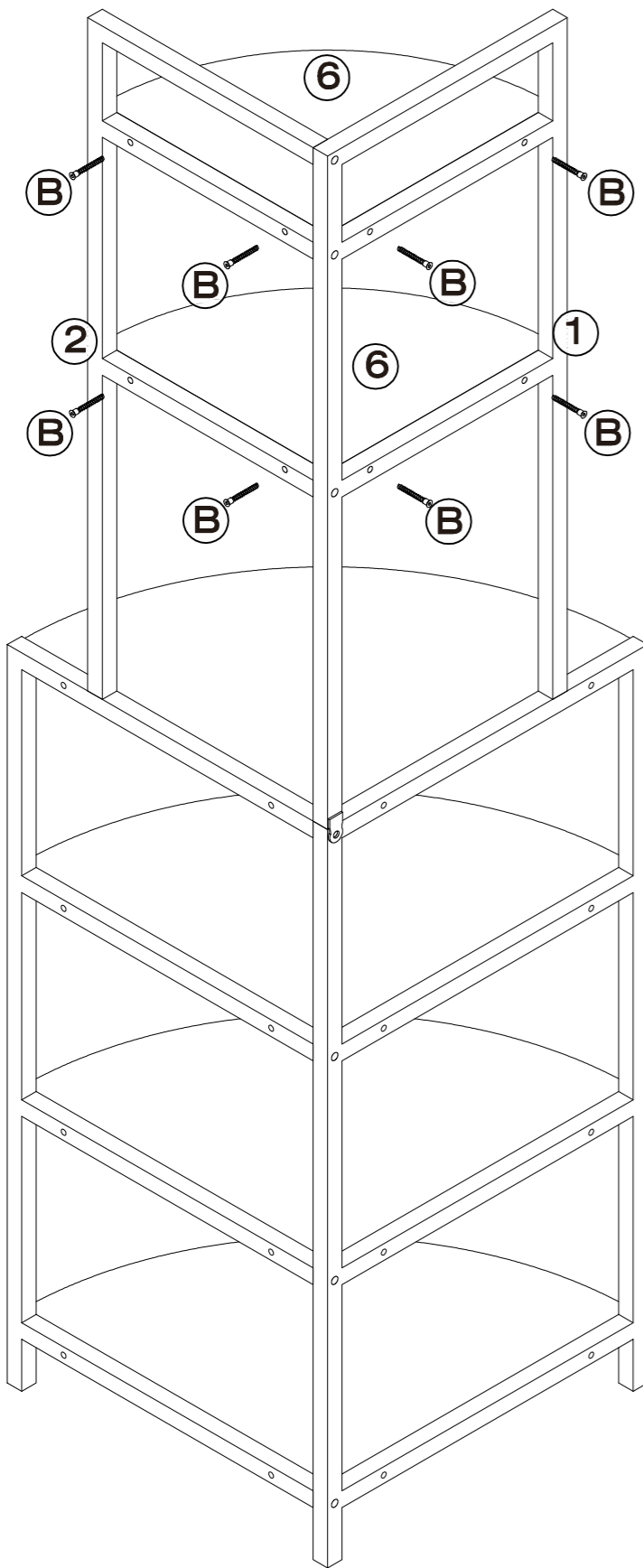
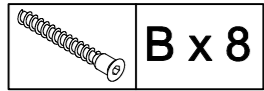


STEP 5

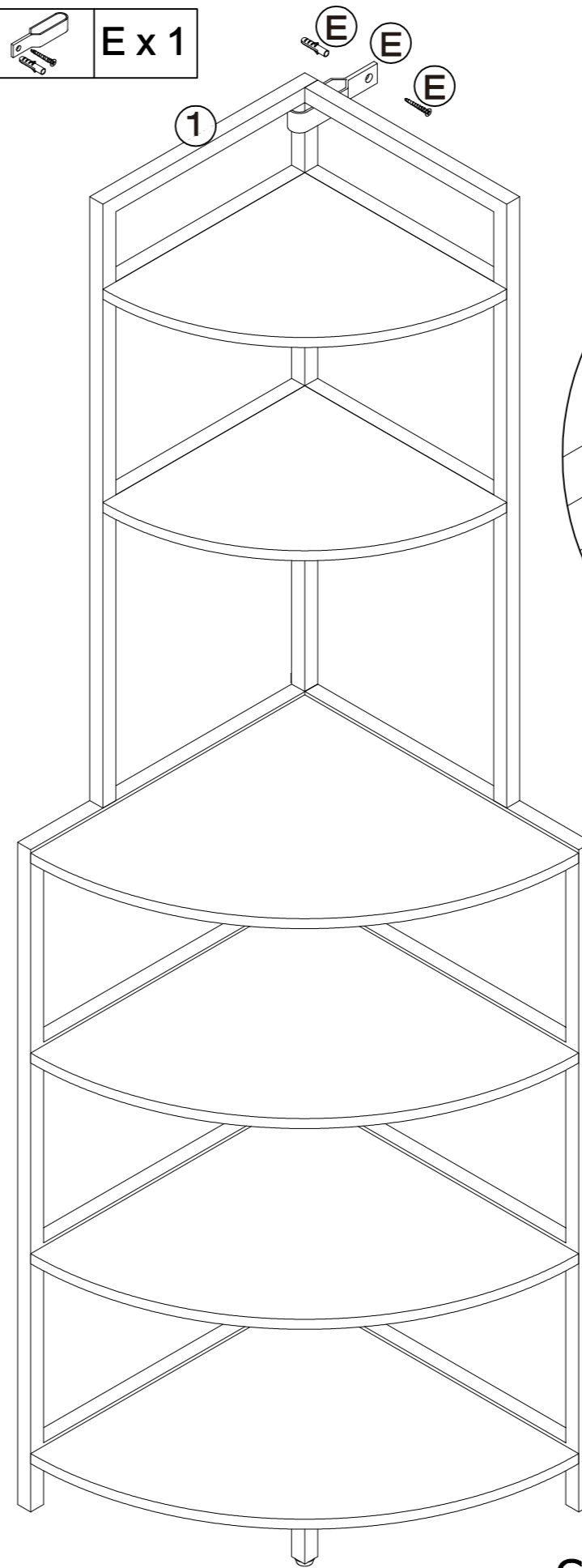
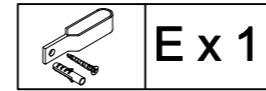


ASSEMBLY INSTRUCTIONS

STEP 6



STEP 7



Check and tighten all screws