




FURNISHING STYLE

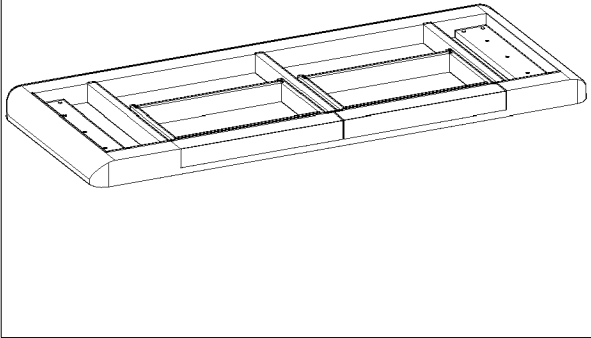
ASSEMBLY INSTRUCTION

LORIK DESK

S. No.	Product Image	Description	Qty.
1.		Wood Top	1
2.		Wood Leg	2
3.		Wood Support	01
4.		Bolt (8mm x 35mm)	14
5.		Washer	14
6.		AllenKey	01

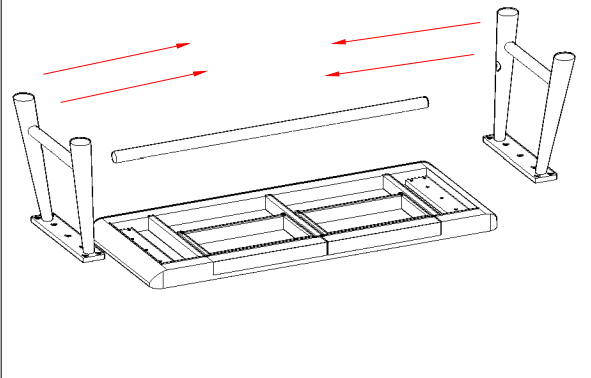
1

Step-1



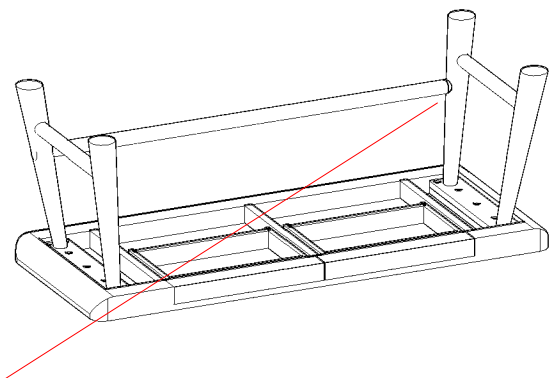
2

Step-2



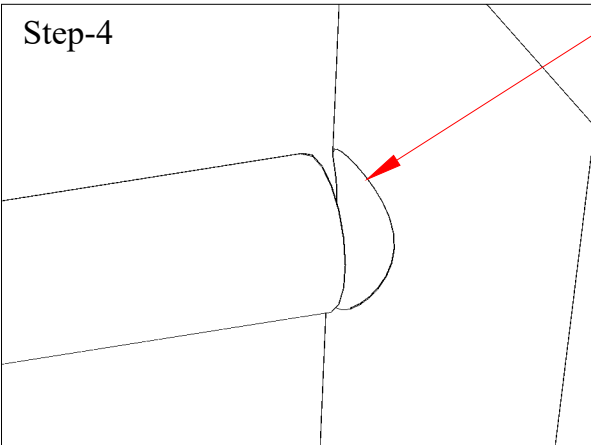
3

Step-3



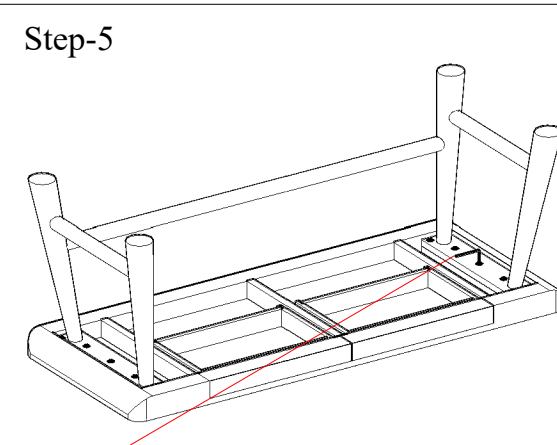
4

Step-4



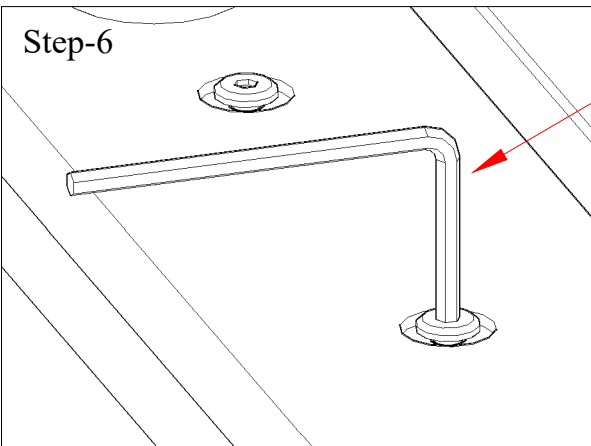
5

Step-5



6

Step-6



7

Step-7

