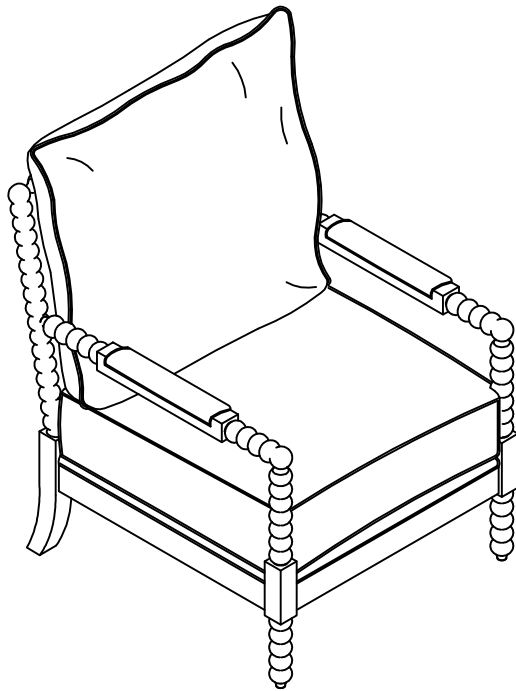


*ASSEMBLY INSTRUCTIONS
COASTER FINE FURNITURE*



Accent Chair

ASSEMBLY INSTRUCTIONS

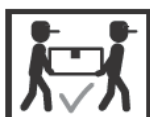
ASSEMBLY TIPS:

1. Remove hardware from box and sort by size.
2. Please check to see that all hardware and parts are present prior start of assembly.
3. Please follow attached instructions in the same sequence as numbered to assure fast & easy assembly.



WARNING!

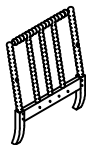





1. Don't attempt to repair or modify parts that are broken or defective .Please contact the store immediately.
2. This product is for home use only and not intended for commercial establishment.














ASSEMBLY TIME

10 MINUTES

PARTS IDENTIFICATION

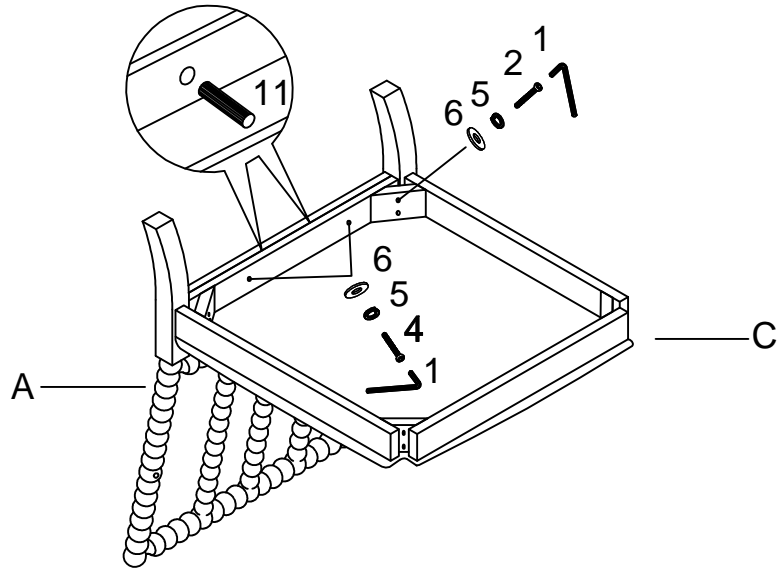
A.		CHAIR BACK	1PC
B.		SEAT CUSHION	1PC
C.		SEAT FRAME	1PC
D.		LEFT ARM	1PC
E.		RIGHT ARM	1PC
F.		PILLOW	1PC

Z HARDWARE IDENTIFICATION

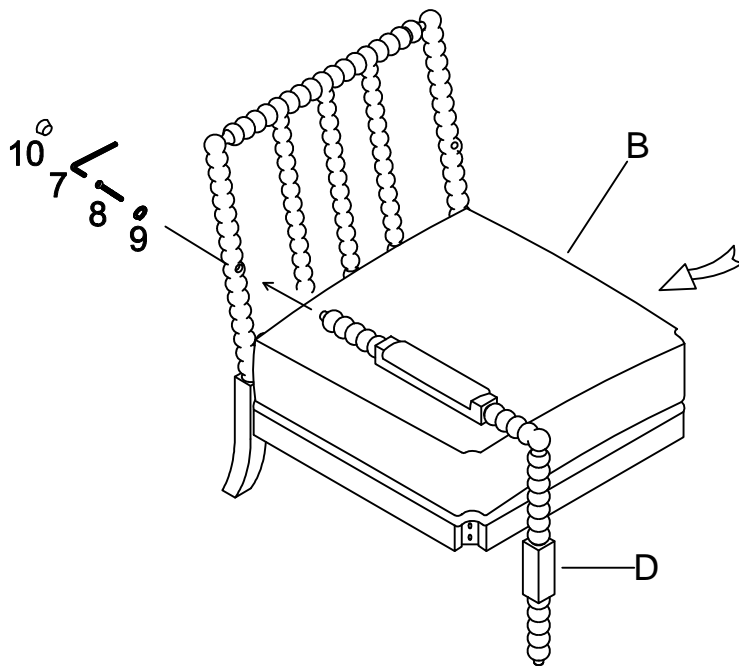
1	ALLEN KEY M5mm		1PC
2	BOLT Ø5/16"*3-1/4"		4PCS
3	BOLT Ø5/16"*2-1/4"		4PCS
4	BOLT Ø5/16"*1-3/4"		2PCS
5	SPRING WASHER-BIG Ø5/16"		10PC
6	FLAT WASHER-BIG Ø5/16"*22mm		10PCS
7	ALLEN KEY M4mm		1PC
8	BOLT Ø1/4"*1-3/4"		2PCS
9	SPRING WASHER-BIG Ø1/4		2PC
10	WOOD CAP 14*7mm		2PC
11	WOOD DOW 10*30mm		2PC

ASSEMBLY INSTRUCTIONS

STEP 1

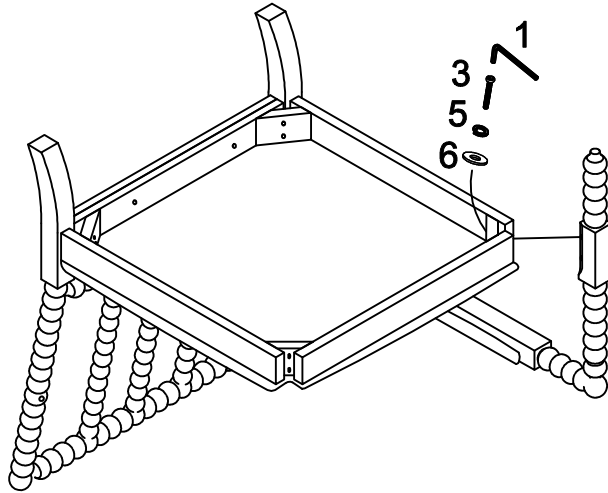


STEP 2

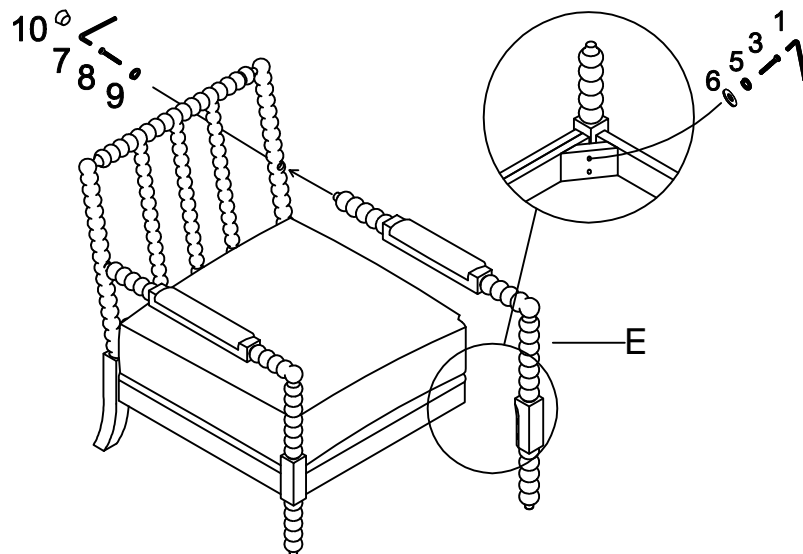


ASSEMBLY INSTRUCTIONS

STEP 3



STEP 4



ASSEMBLY INSTRUCTIONS

STEP 5

