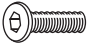






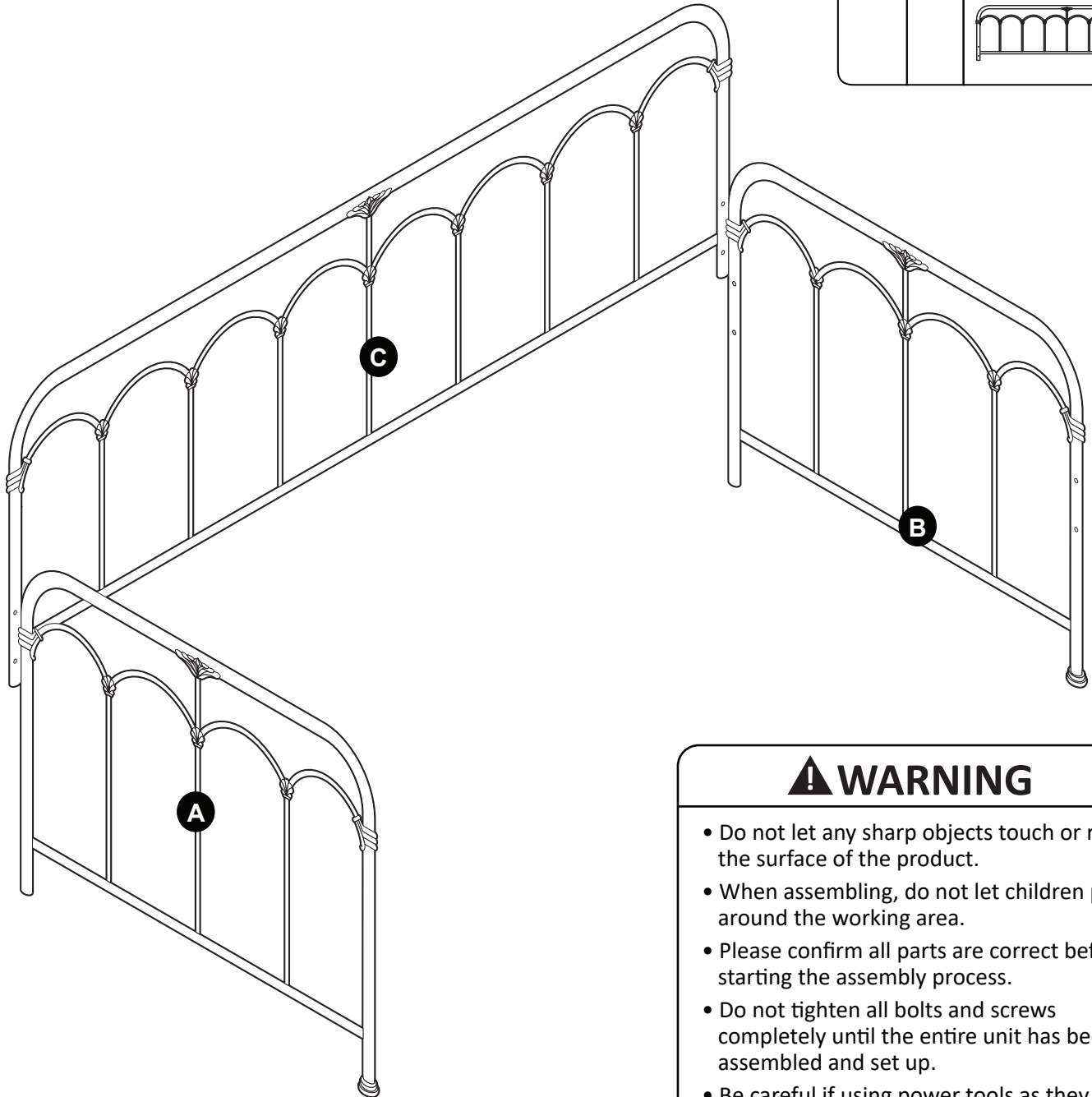


Metal Daybed

Examine all packaging material for small parts that may have come loose during shipment. Periodic checks are recommended to insure that all components are in proper position, tight and free from damage. Keep this assembly instruction for future reference. Adult assembly is required.

CODE	QTY	HARDWARE
1	8	1/4" x 1" Allen Bolts 
2	4	1/4" x 2" Sunk Bolts 
3	8	Flat Washer 
4	1	Allen Wrench 

CODE	QTY	COMPONENTS	CODE	QTY	COMPONENTS
A	1	Left Panel 	B	1	Right Panel 
			C	1	Back Panel 

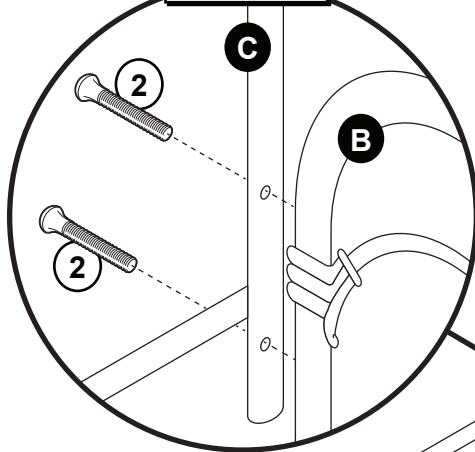


WARNING

- Do not let any sharp objects touch or rub the surface of the product.
- When assembling, do not let children play around the working area.
- Please confirm all parts are correct before starting the assembly process.
- Do not tighten all bolts and screws completely until the entire unit has been assembled and set up.
- Be careful if using power tools as they can over tighten screws and strip threads.

CARE & MAINTENANCE: The touch of a soft cloth is all the maintenance the finish will ever need. Please do not use harsh or abrasive cleaners for polishing, as they may cause damage to the finish. Periodic checks are recommended to make sure that all hardware is securely tightened.

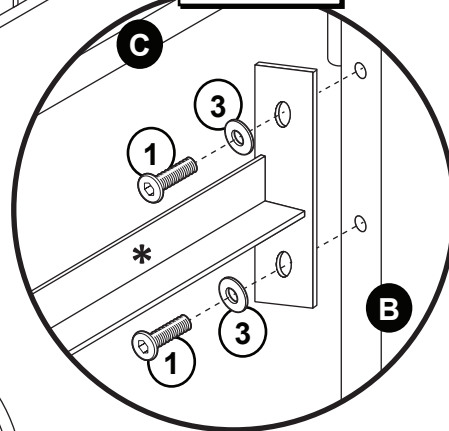
FIGURE 1



STEP 1 - Figure 1

Begin assembly by attaching Back Panel (C) to Left and Right Panels using 2 Sunk Bolts (2) per side.

FIGURE 2



*The Bed Frame * is not included. Sold separately.*

STEP 2 - Figure 2

Attach Bed Frame (not included) to Left and Right Panels (A & B) using 2 Allen Bolts (1) and 2 Flat Washers (3) per side. Tighten all bolts with Allen Wrench (4) provided. The assembly is now complete.