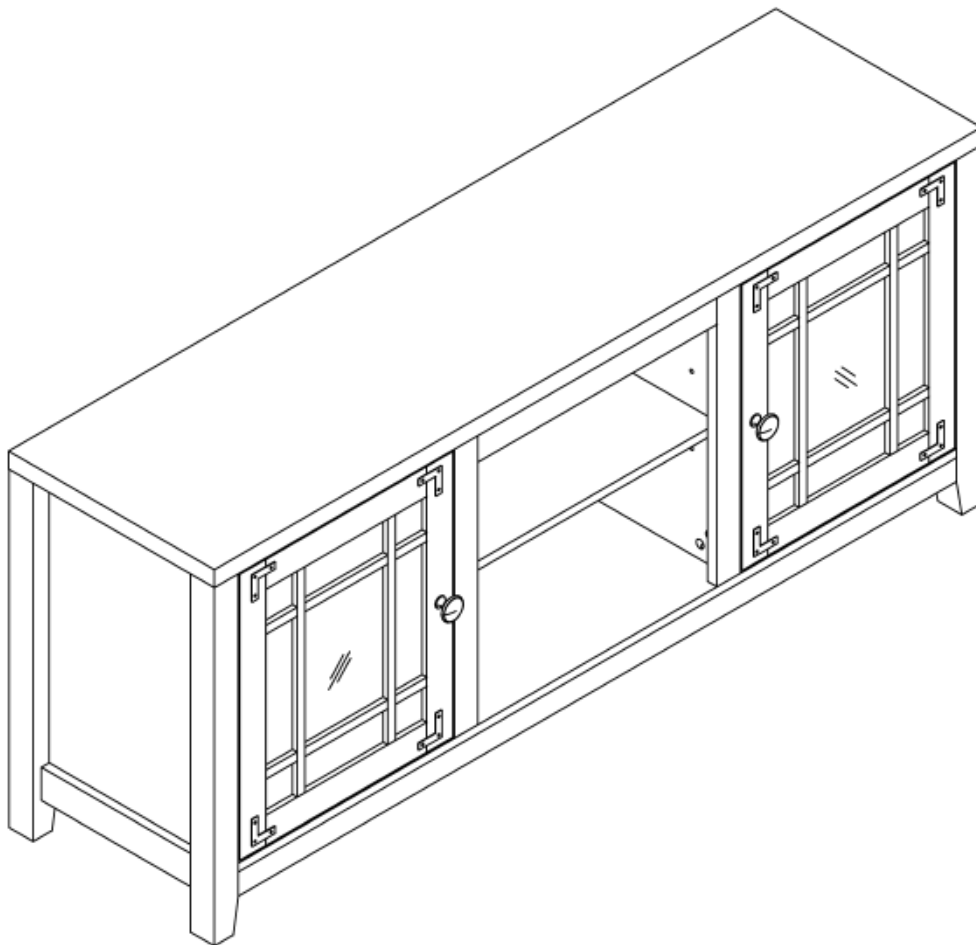


ASSEMBLY INSTRUCTION

58" TV stand

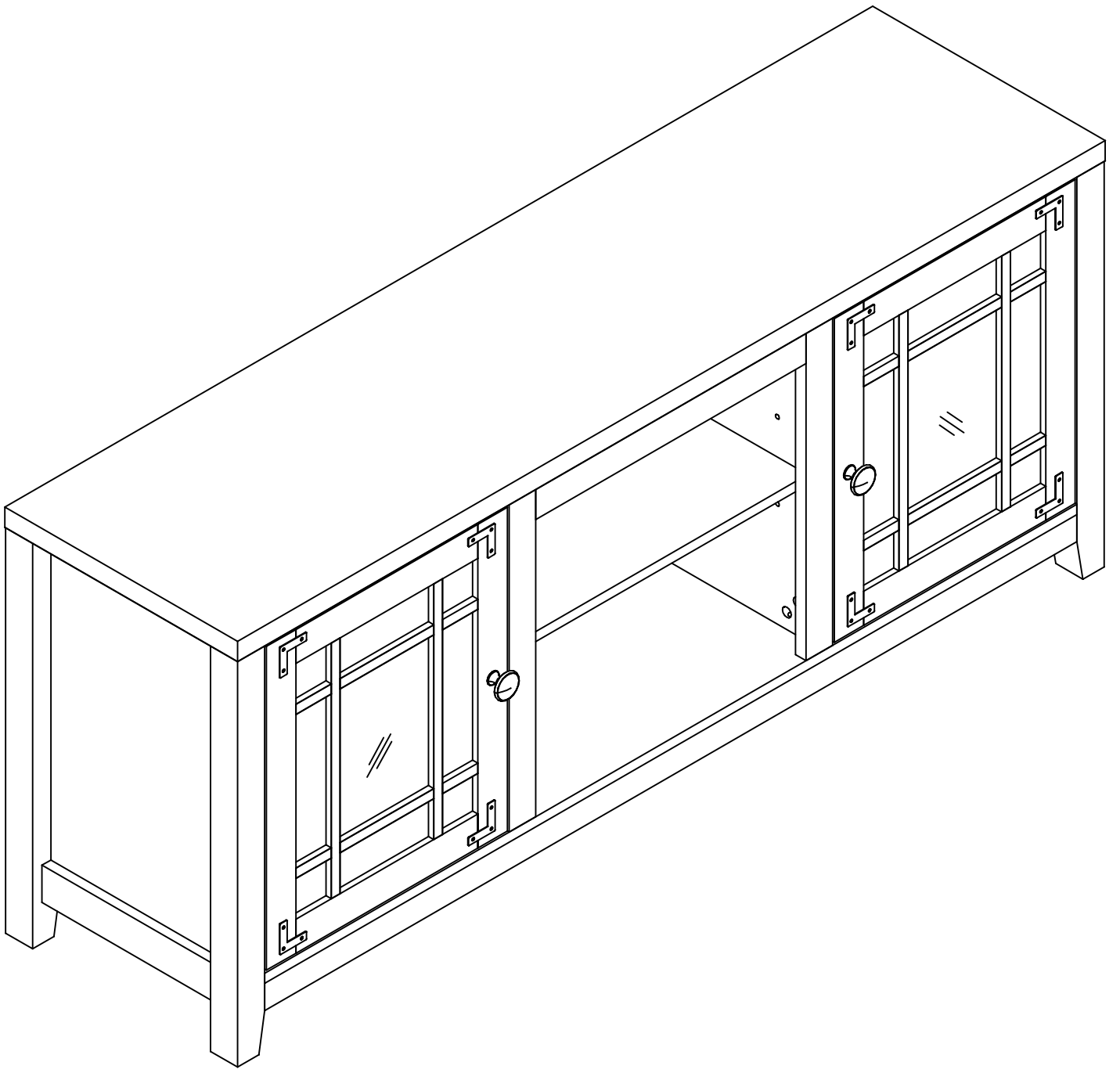


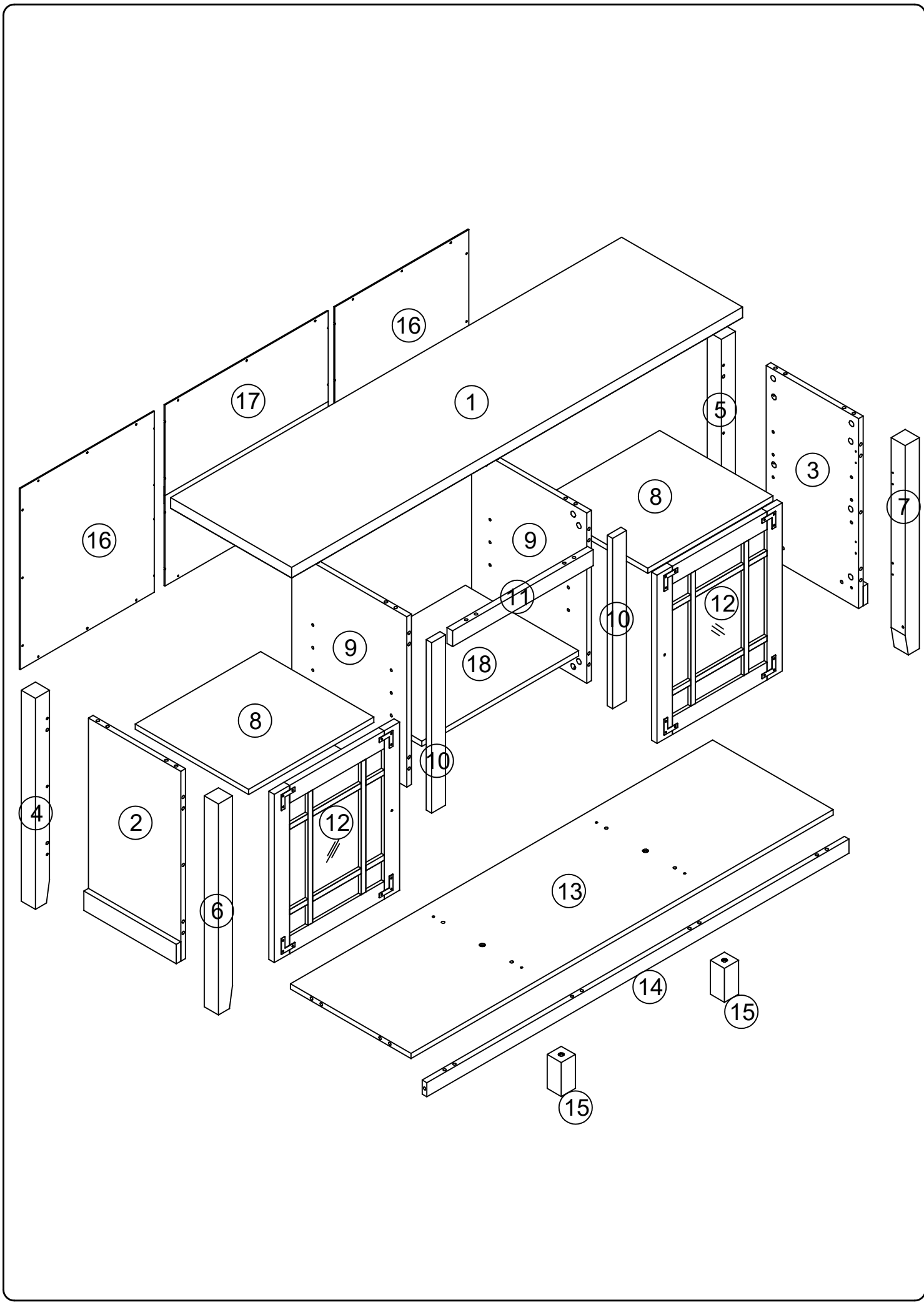
THIS INSTRUCTION BOOKLET IS IMPORTANT. PLEASE READ CAREFULLY.
AND KEEP FOR FUTURE REFERENCE.





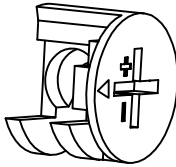
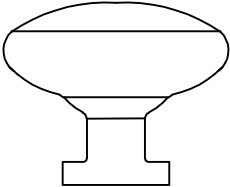

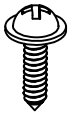
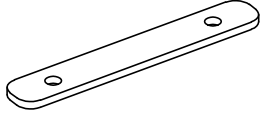
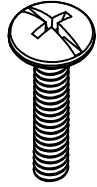
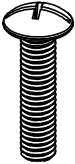
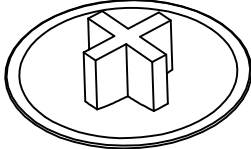
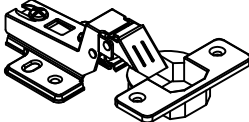
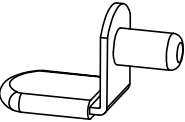
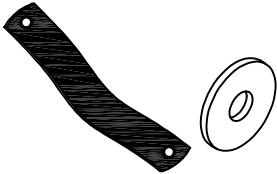
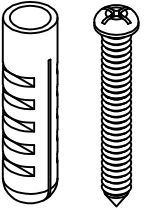

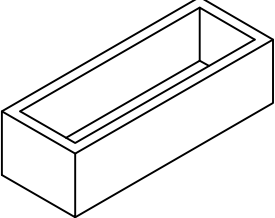
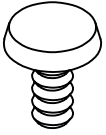
Before You Start

- ⚠ Please read all instructions carefully.
- ⚠ Retain instructions for future reference.
- ⚠ Separate and count all parts and hardware.
- ⚠ Read through each step carefully and follow the proper order.
- ⚠ We recommend that, where possible, all items are assembled near to the area in which they will be placed in use, to avoid moving the product unnecessarily once assembled.
- ⚠ Always place the product on a flat, steady and stable surface.
- ⚠ Keep all small parts and packaging materials for this product away from babies and children as they potentially pose a serious choking hazard.






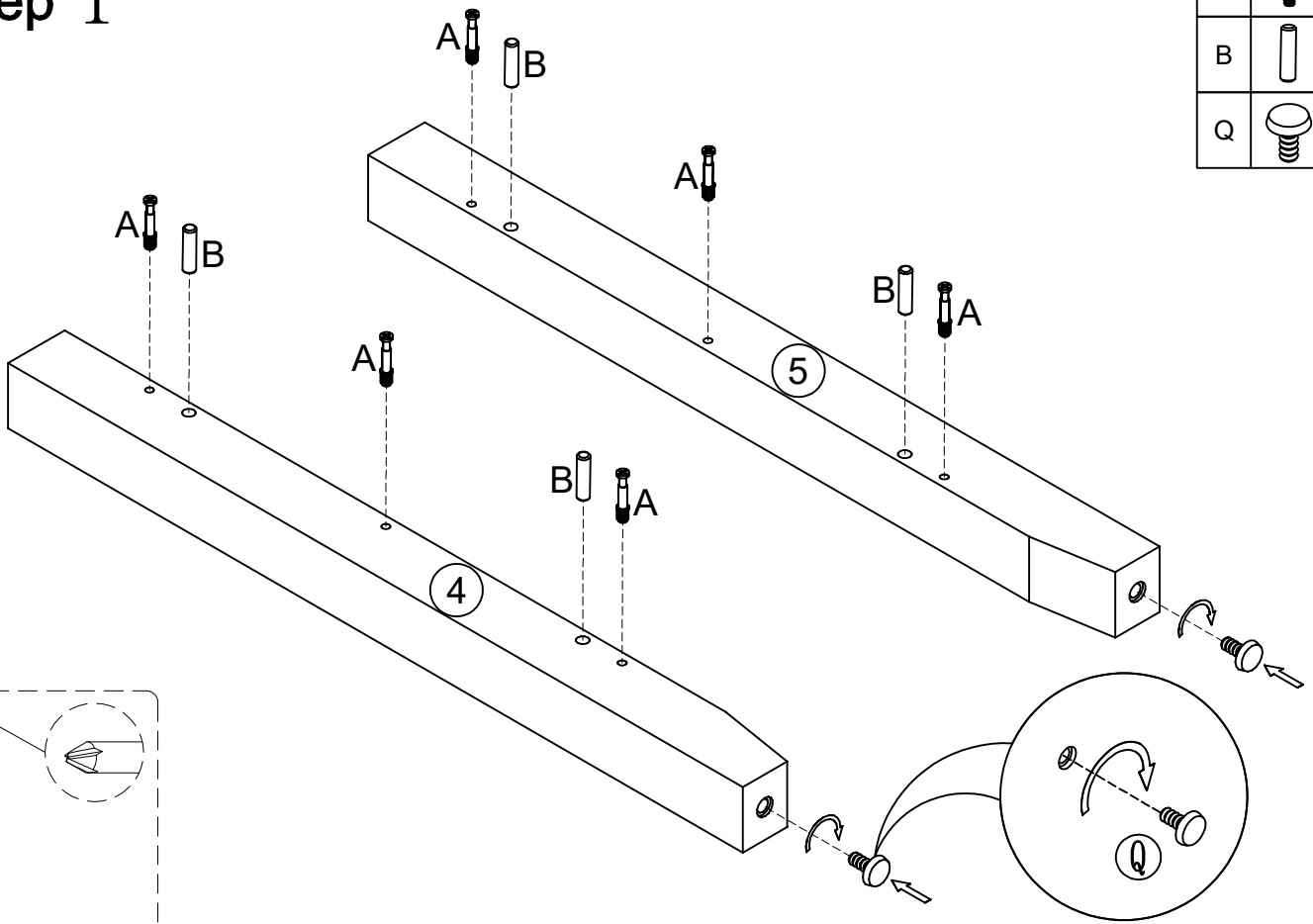


PACKAGE CONTENT		
CODR	DESCRIPTION	QTY
1	Countertop Board	1
2	Left side panel	1
3	Right side panel	1
4	Left rear leg pillar	1
5	Right rear leg pillar	1
6	Left front and rear leg pillar	1
7	Right front leg pillar	1
8	Movable Shelf	2
9	Middle side panel	2
10	Middle vertical blocking bar	2
11	Middle horizontal bar	1
12	Door plank	2
13	Floor	1
14	Bottom standing water	1
15	Midfoot pillar	2
16	Backboard	2
17	Middle back panel	1
18	Middle activity layer board	1




<p>(A)</p>  <p>40X+1X</p>	<p>(B)</p> <p>Ø8x30mm</p>  <p>34X+1X</p>	<p>(C)</p> <p>Ø15</p>  <p>40X+1X</p>	<p>(D)</p>  <p>2X</p>
<p>(E)</p> <p>Ø3.9x 15mm Silvery</p>  <p>24X+1X</p>	<p>(F)</p> <p>Ø3.5x16mm</p>  <p>34X+1X</p>	<p>(G)</p>  <p>2X</p>	<p>(H)</p> <p>Ø5/32"× 22mm</p>  <p>2X</p>
<p>(I)</p> <p>Ø1/4"× 30mm</p>  <p>2X</p>	<p>(J)</p>  <p>30X</p>	<p>(K)</p>  <p>4X</p>	<p>(L)</p>  <p>12X</p>
<p>(M)</p>  <p>2X+4X</p>	<p>(N)</p>  <p>2X+2X</p>	<p>(O)</p> <p>Ø3.9× 15mm Black</p>  <p>8X</p>	<p>(P)</p>  <p>2X</p>
<p>(Q)</p>  <p>6X</p>			

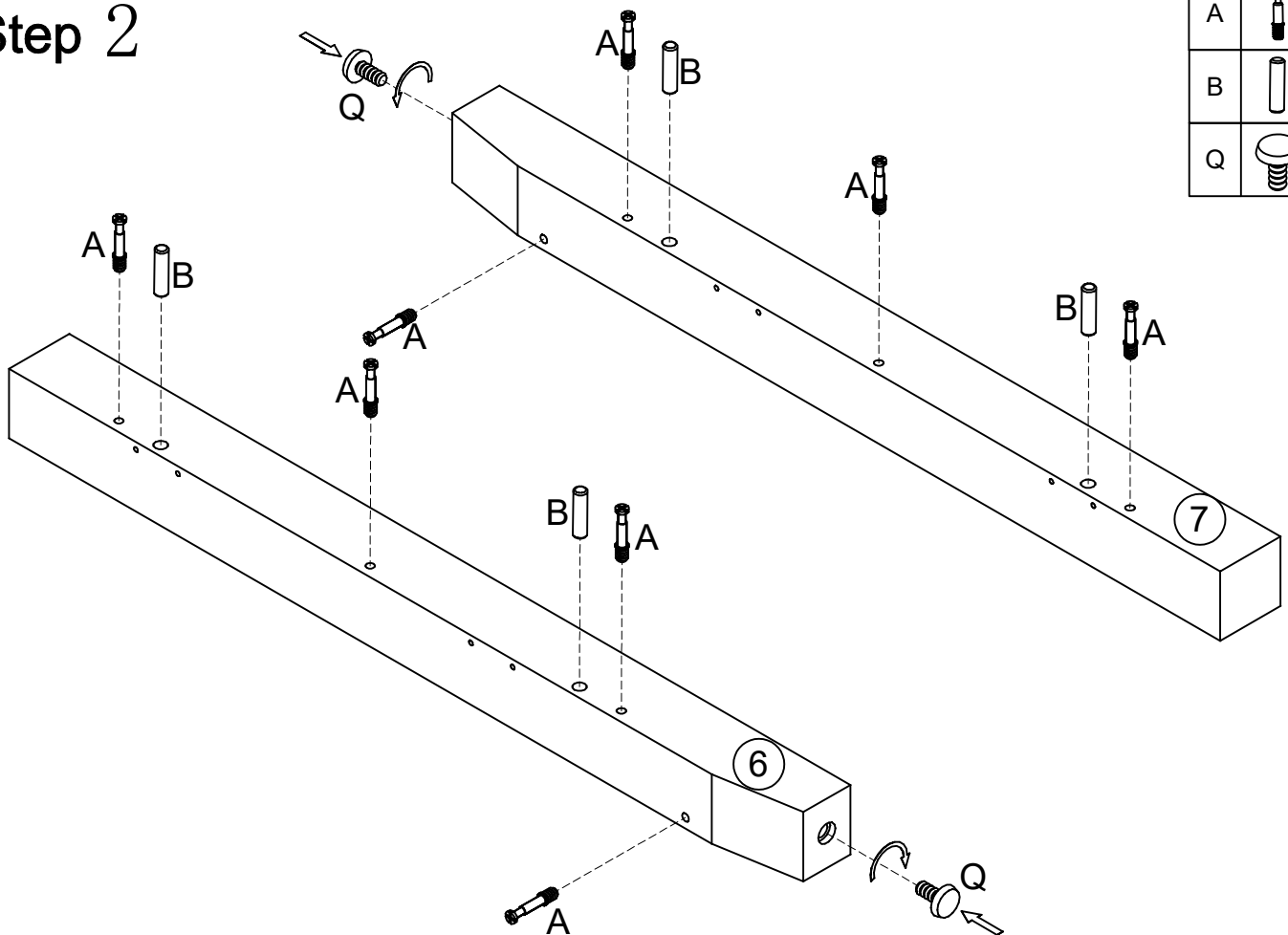
Step 1

A		6
B		4
Q		2


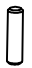



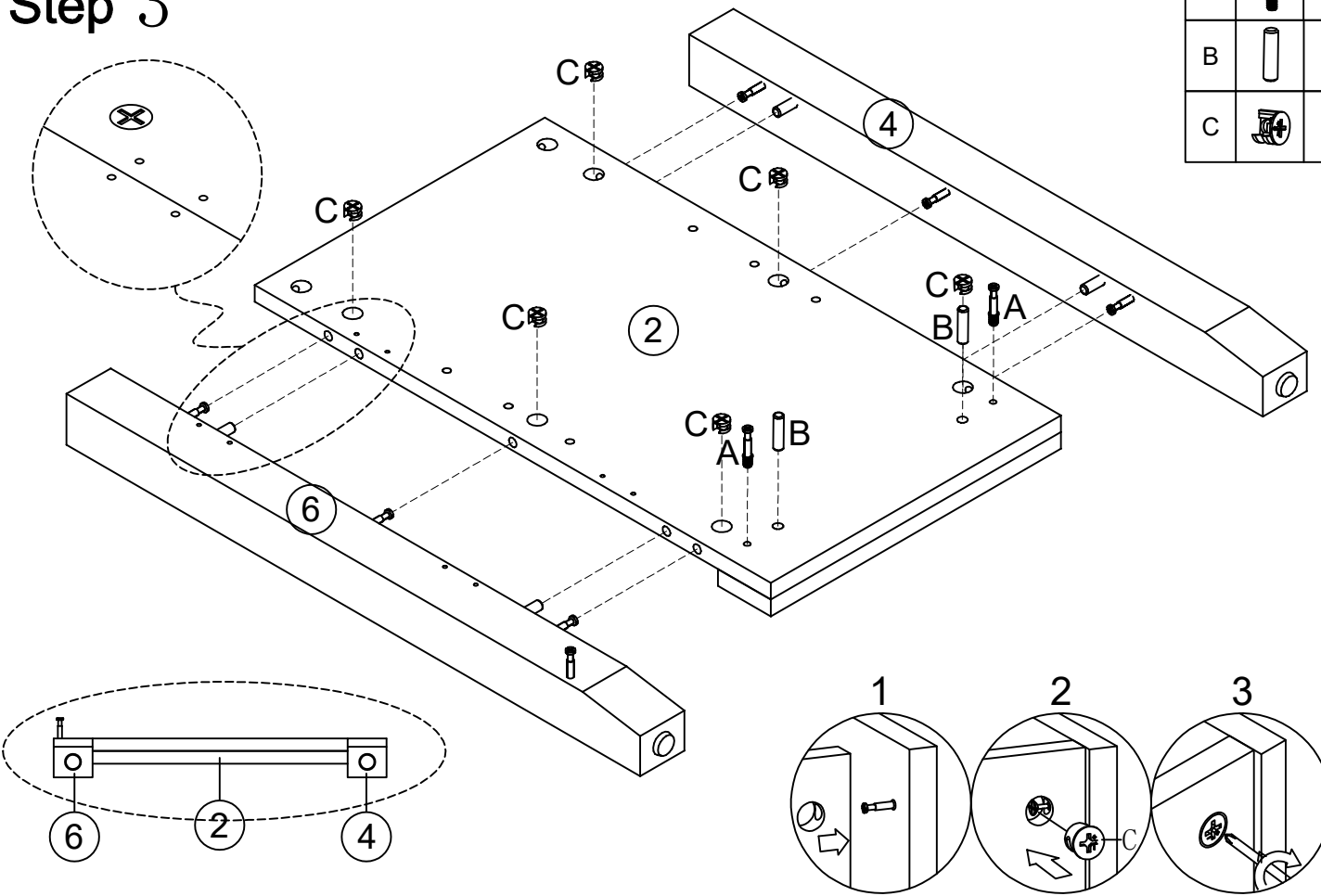
Step 2

A		8
B		4
Q		2






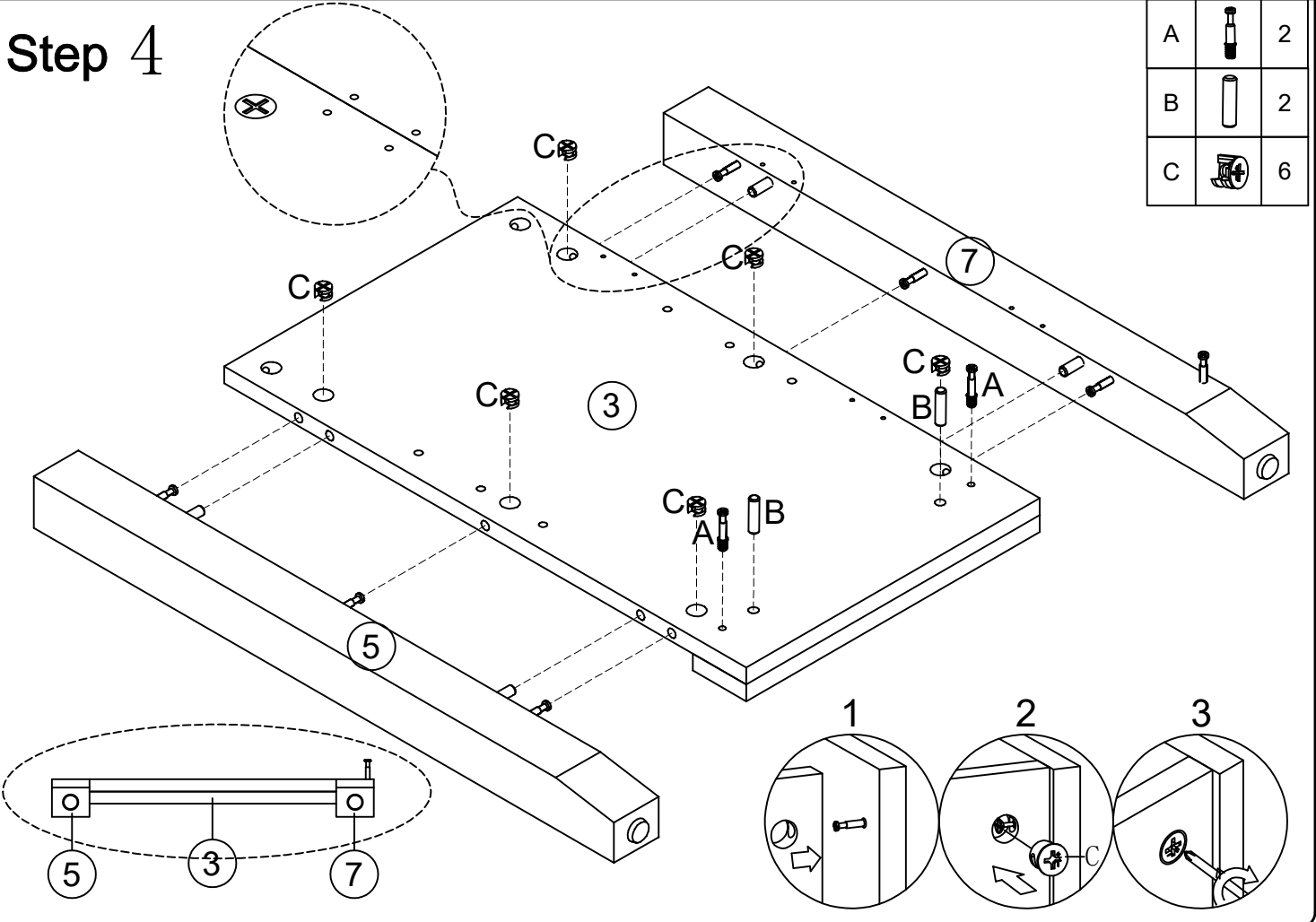
Step 3

A		2
B		2
C		6


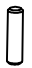


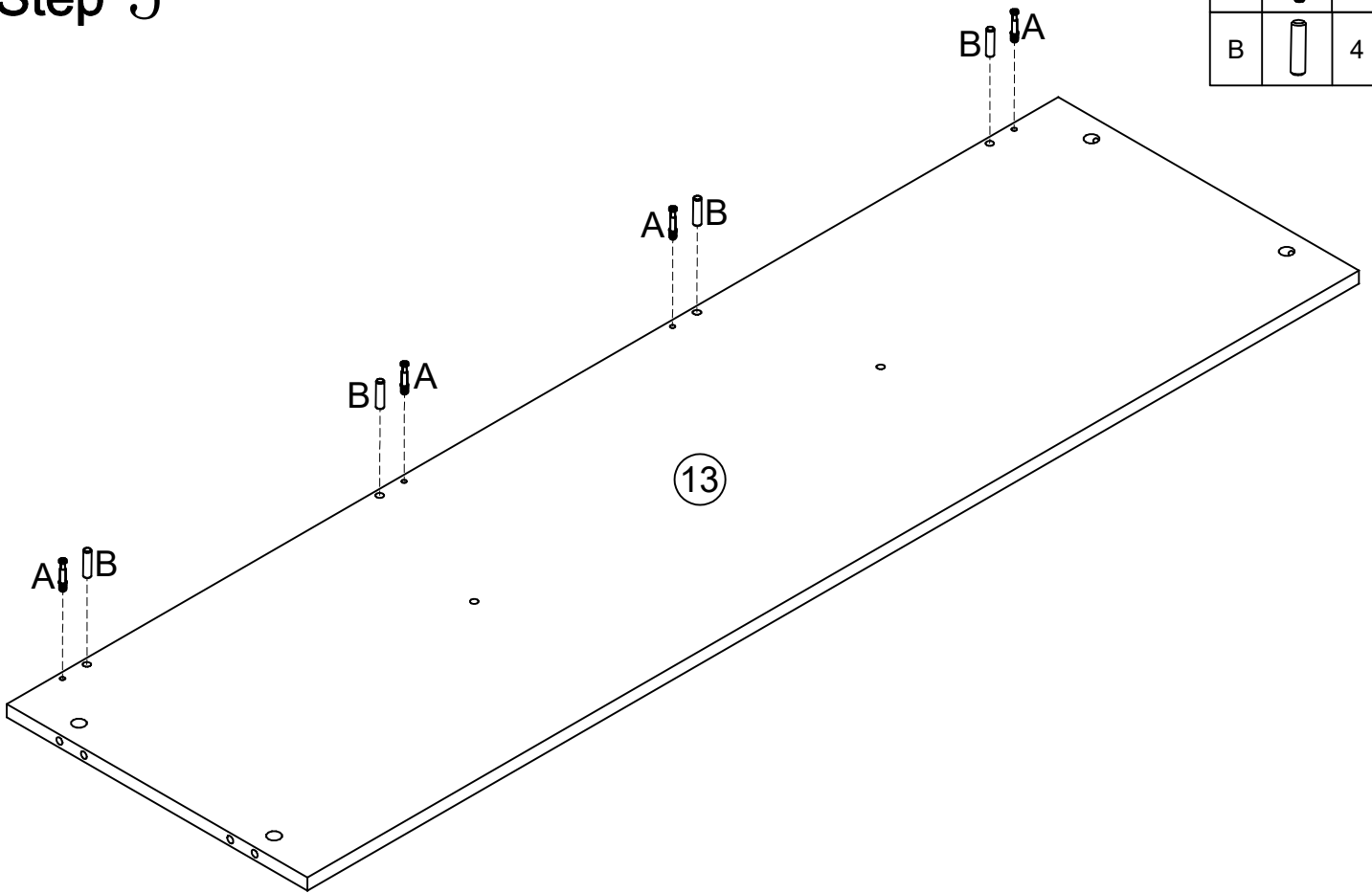
Step 4

A		2
B		2
C		6




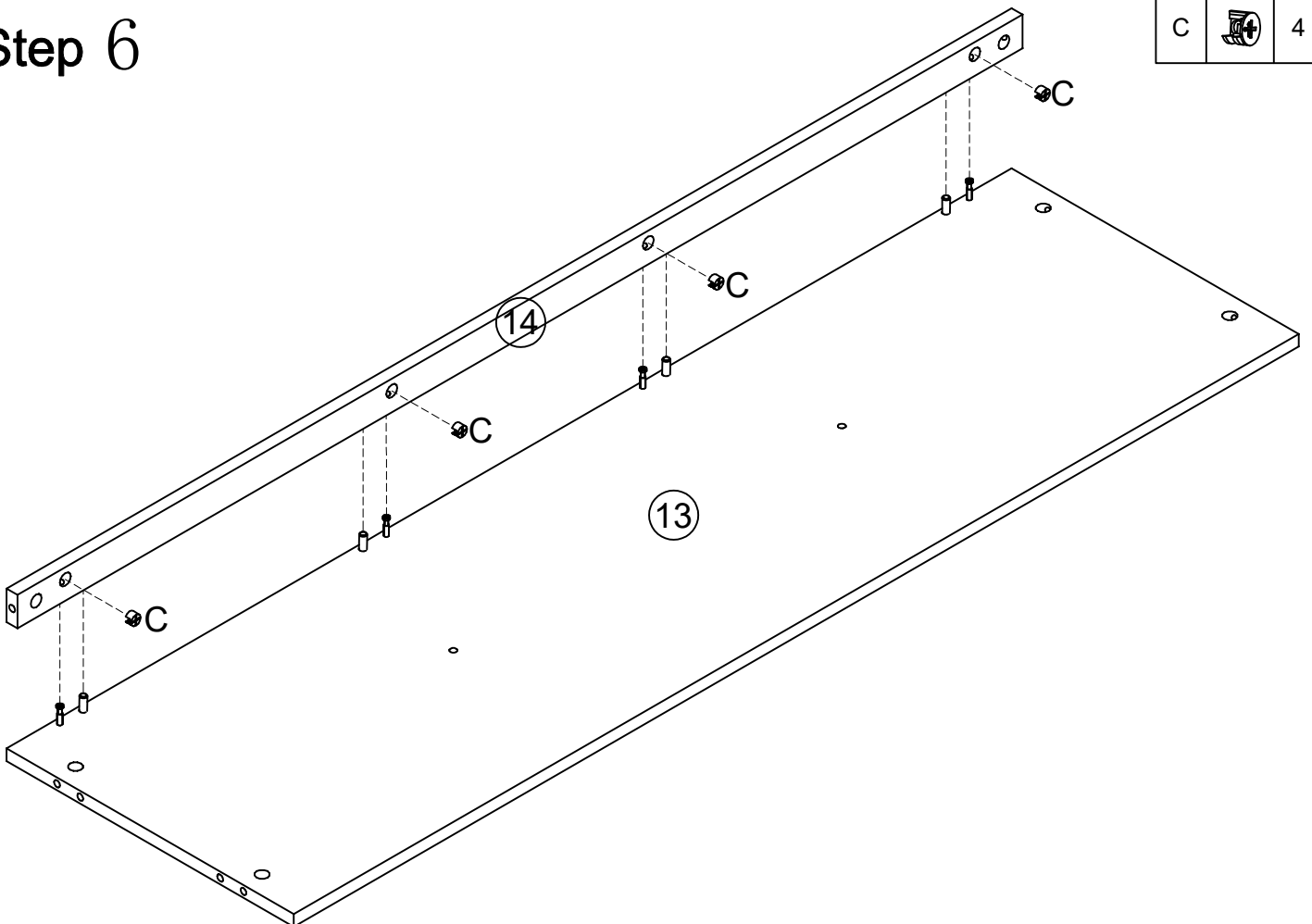
Step 5

A		4
B		4





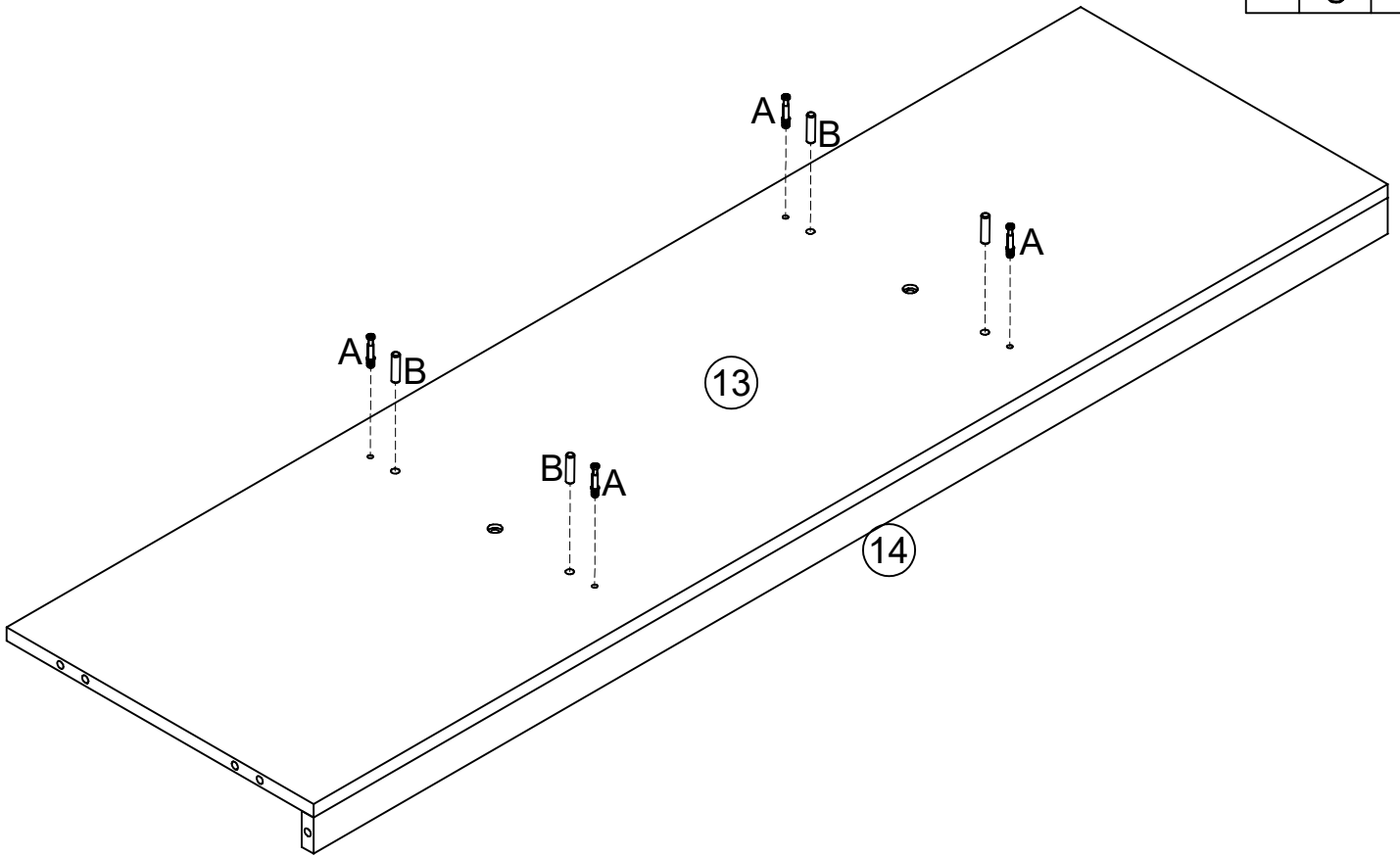
Step 6

C		4
---	---	---





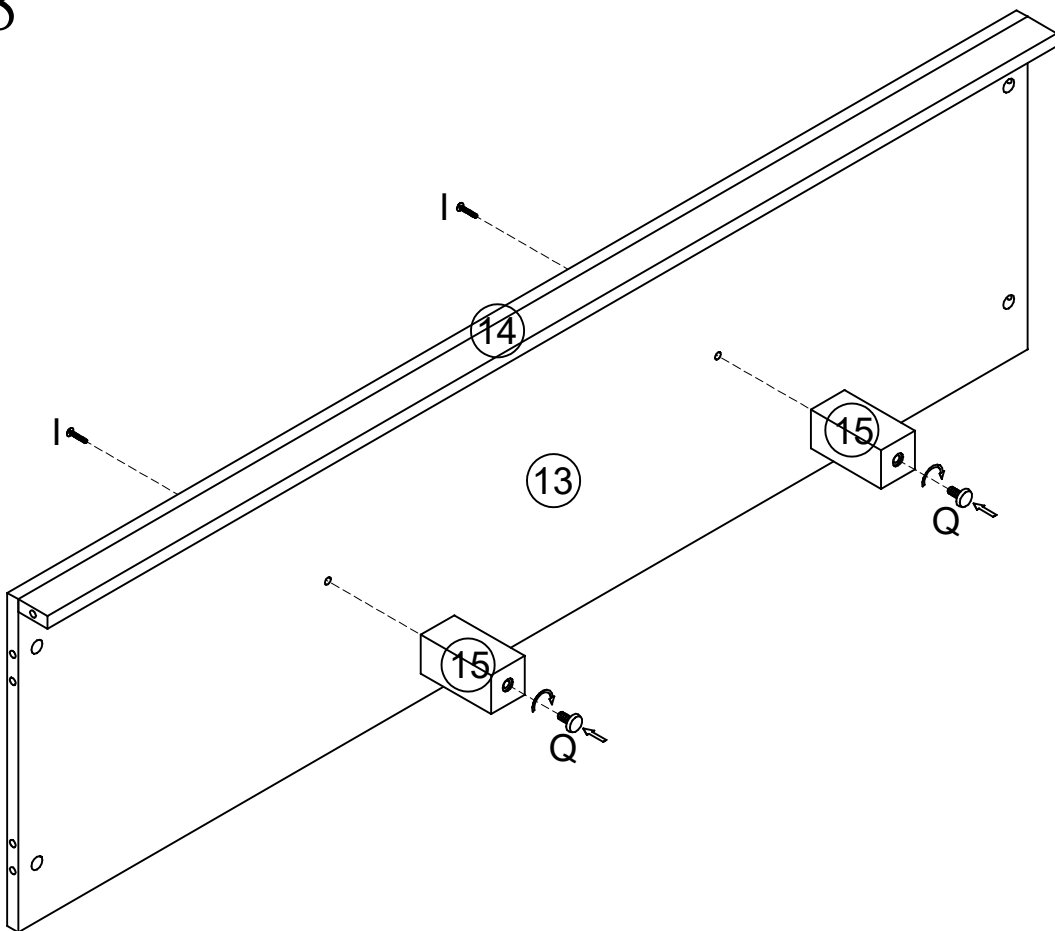
Step 7

A		4
B		4




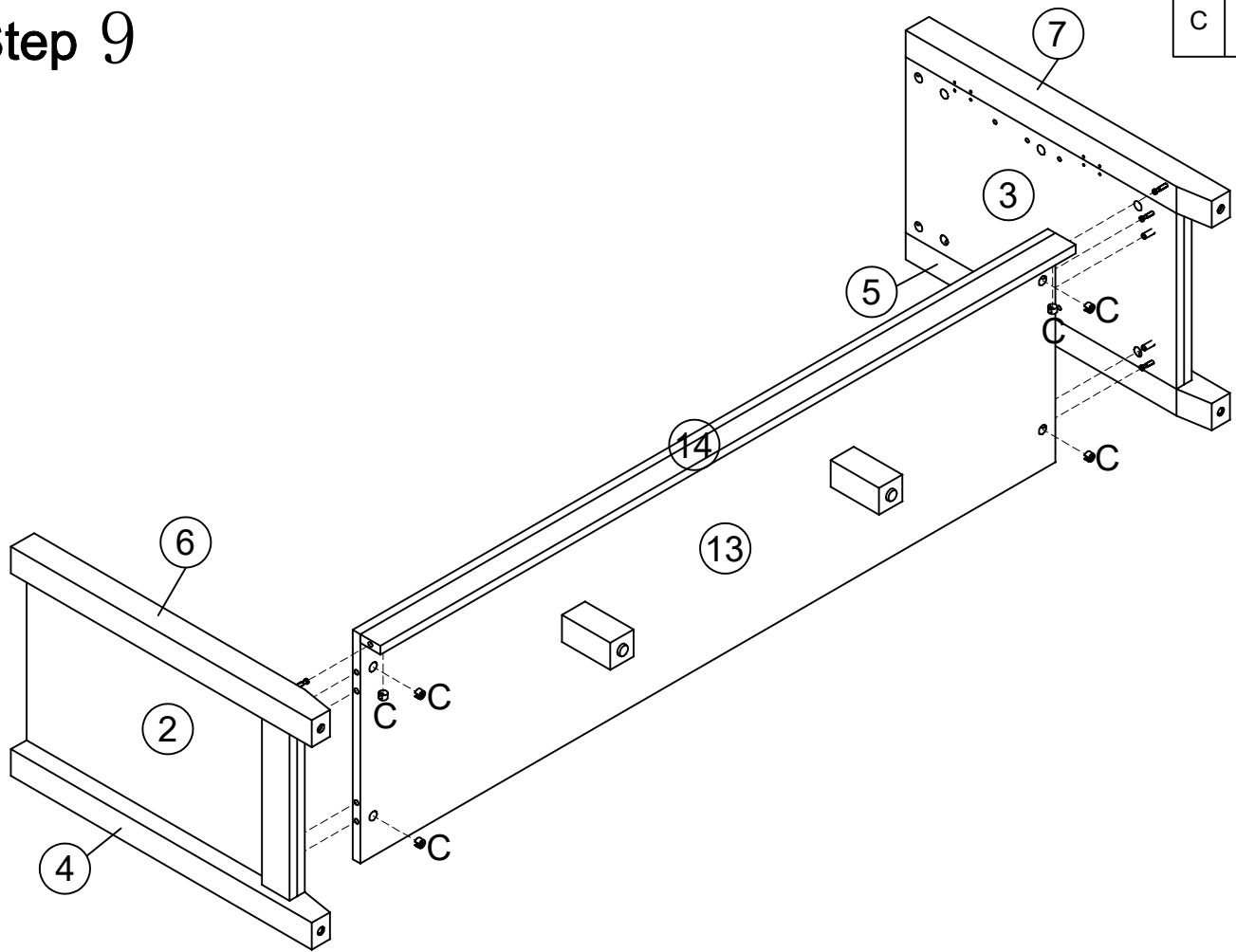
Step 8

I		2
Q		2





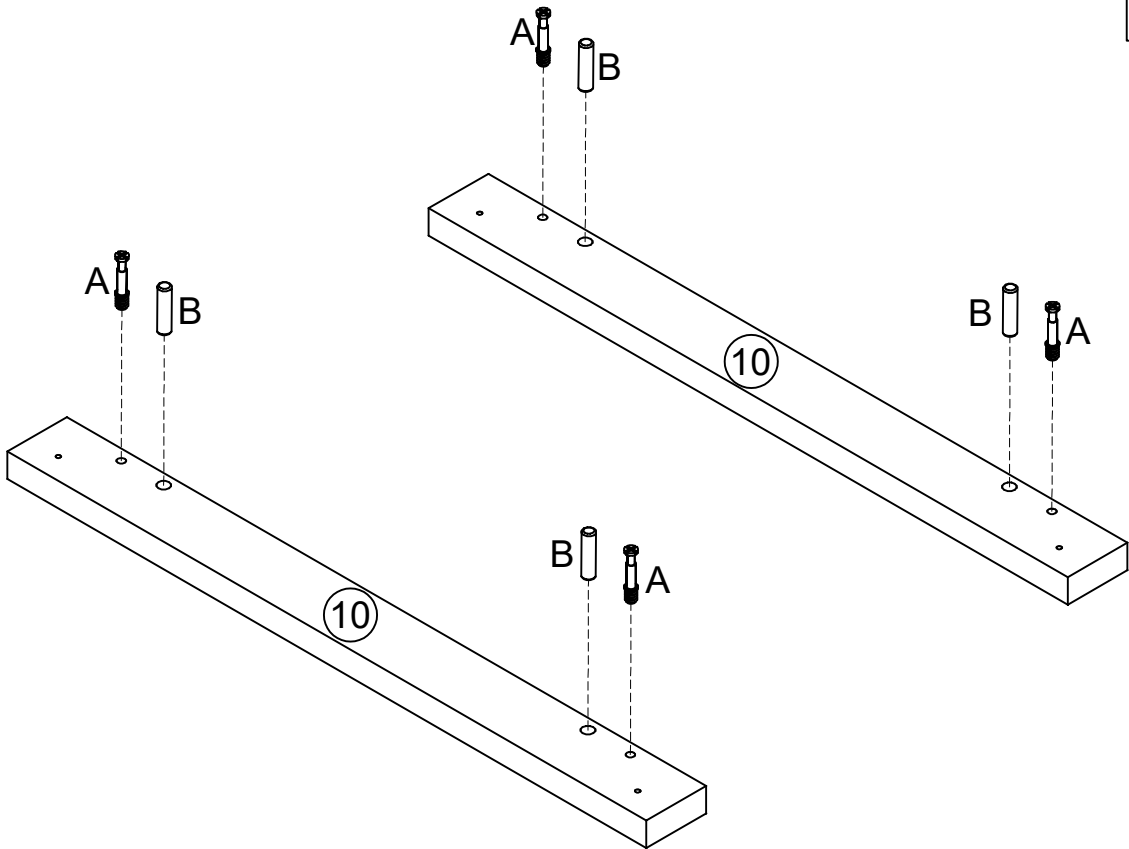
Step 9

C		6
---	---	---




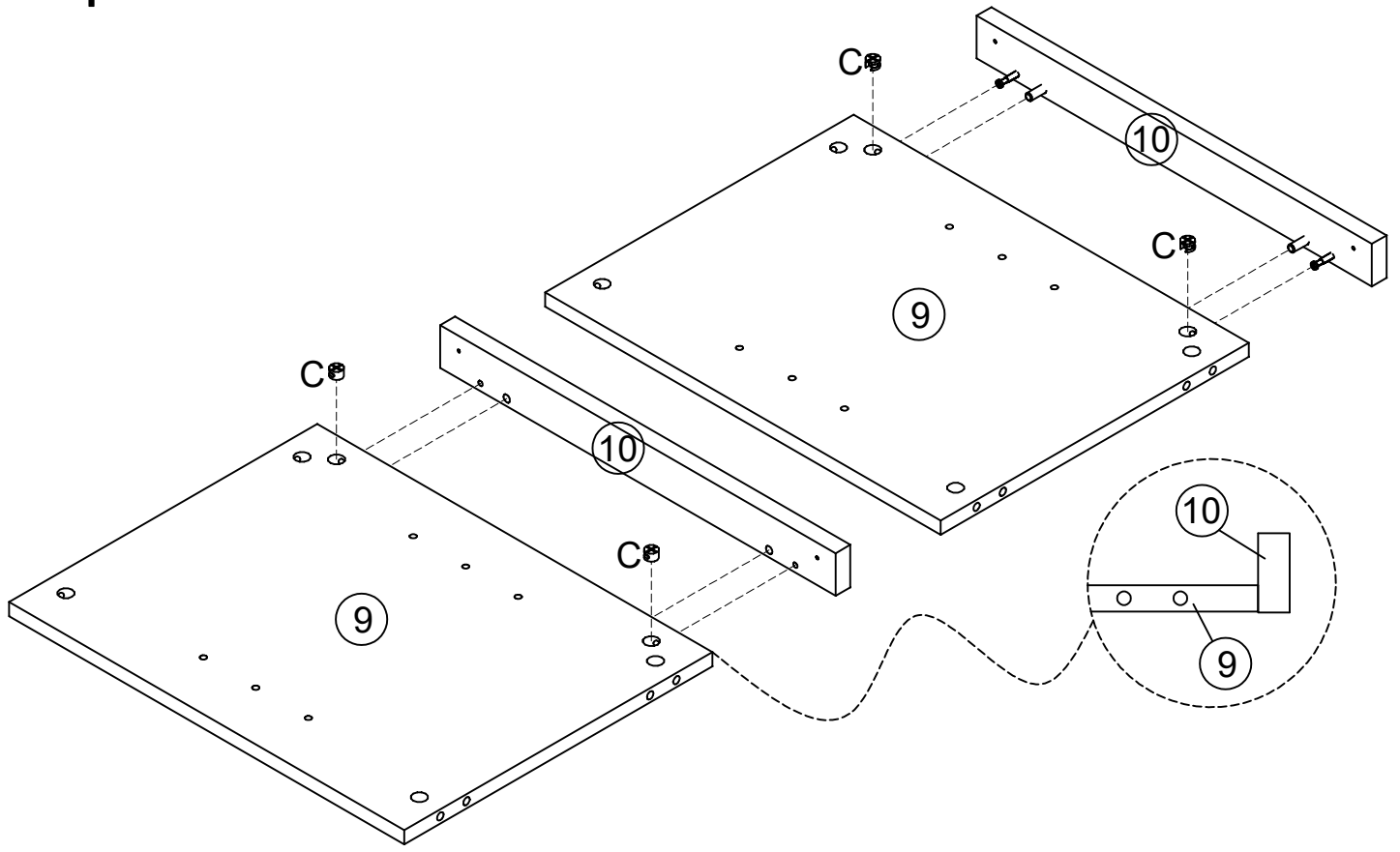
Step 10

A		4
B		4




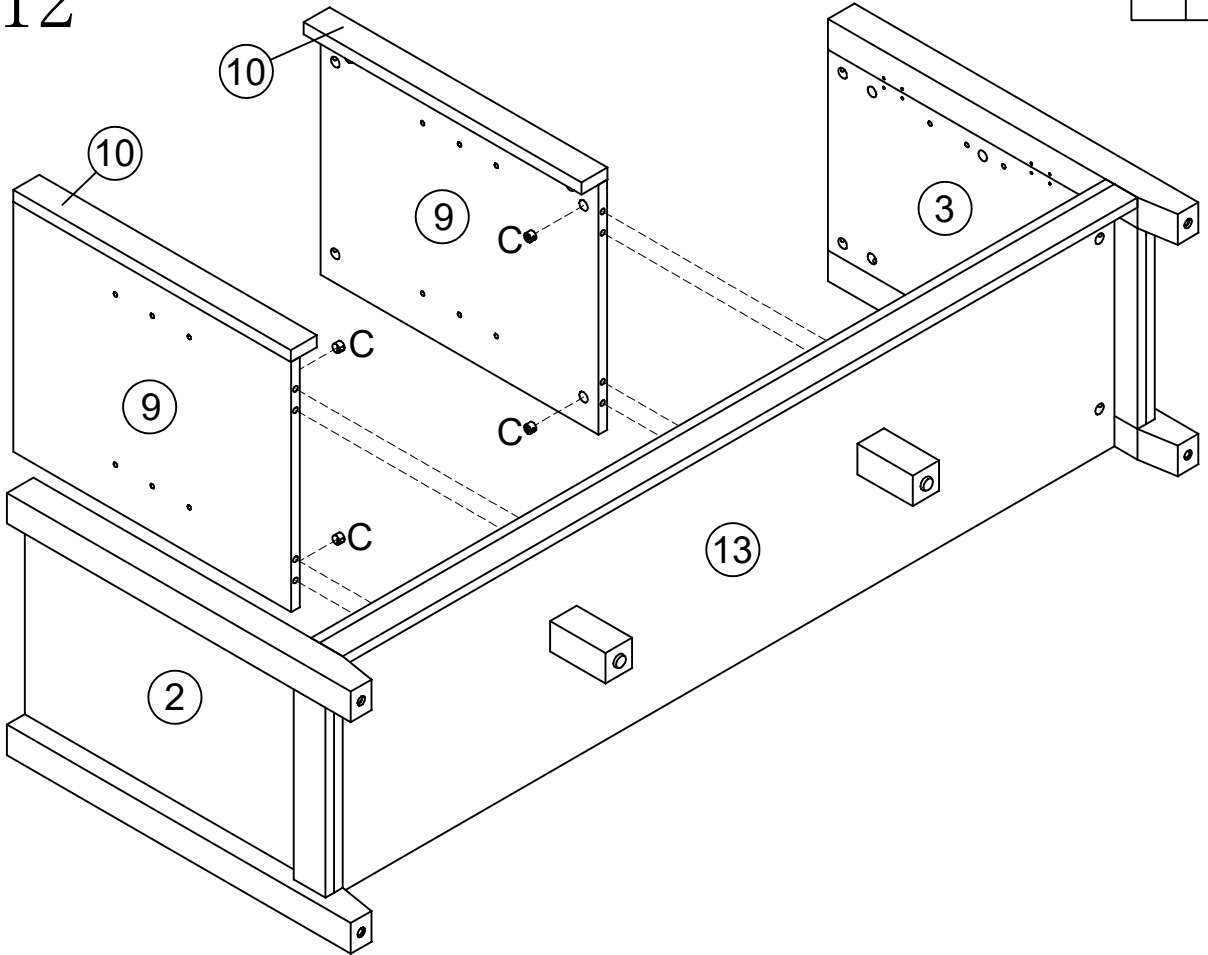
Step 11

C		4
---	---	---







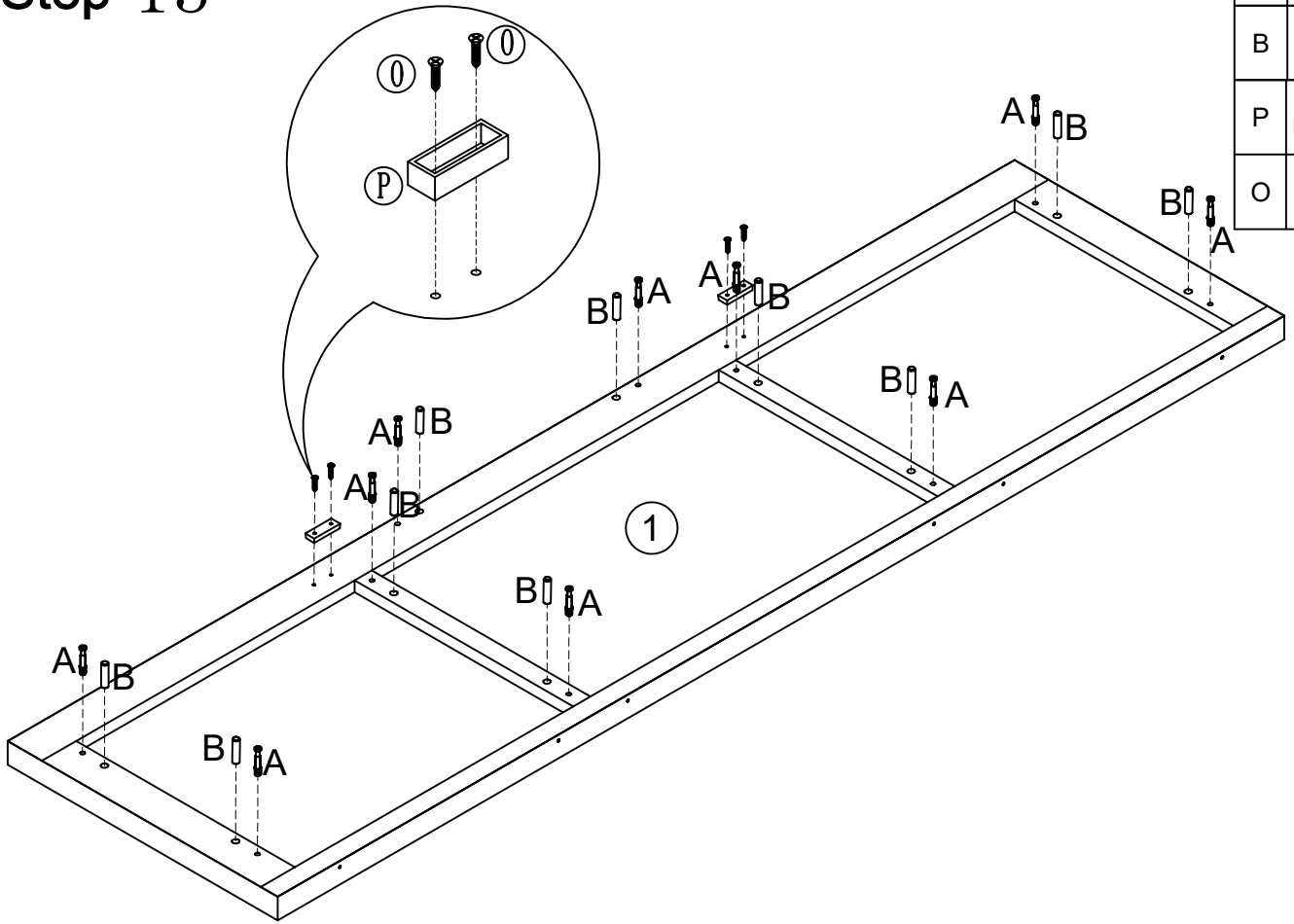
Step 12

C		4
---	---	---




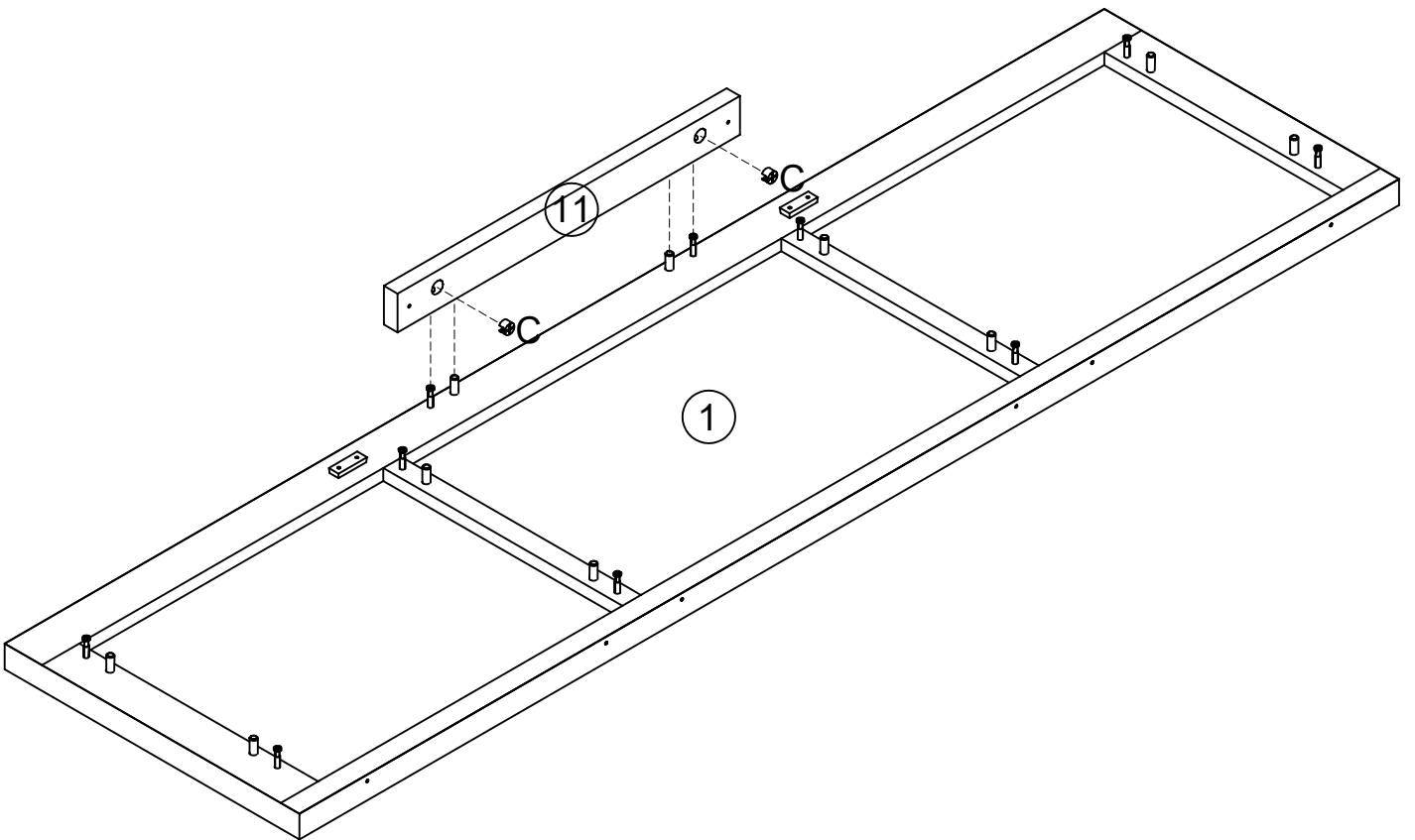
Step 13

A		10
B		10
P		2
O		4




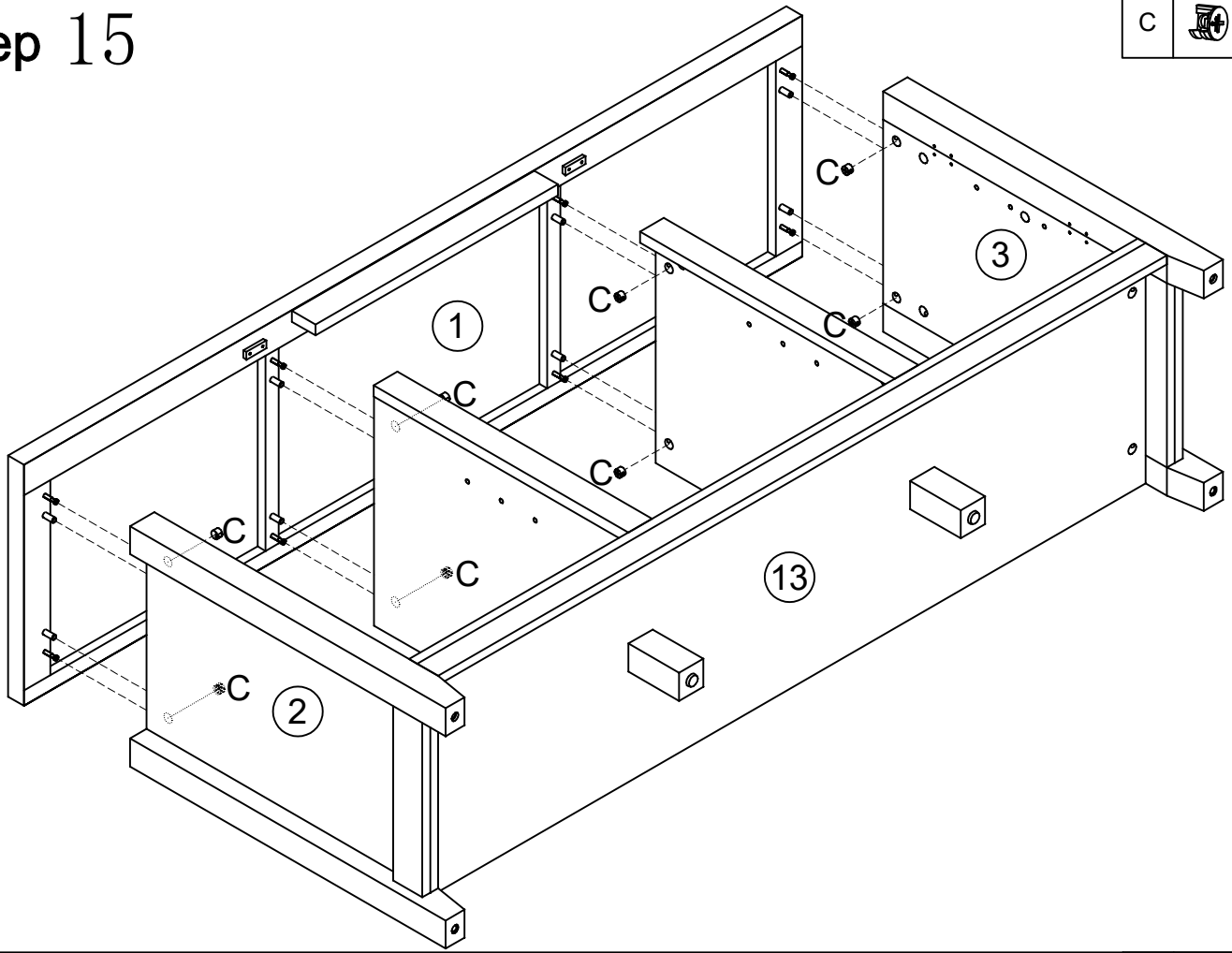
Step 14

C		2
---	---	---



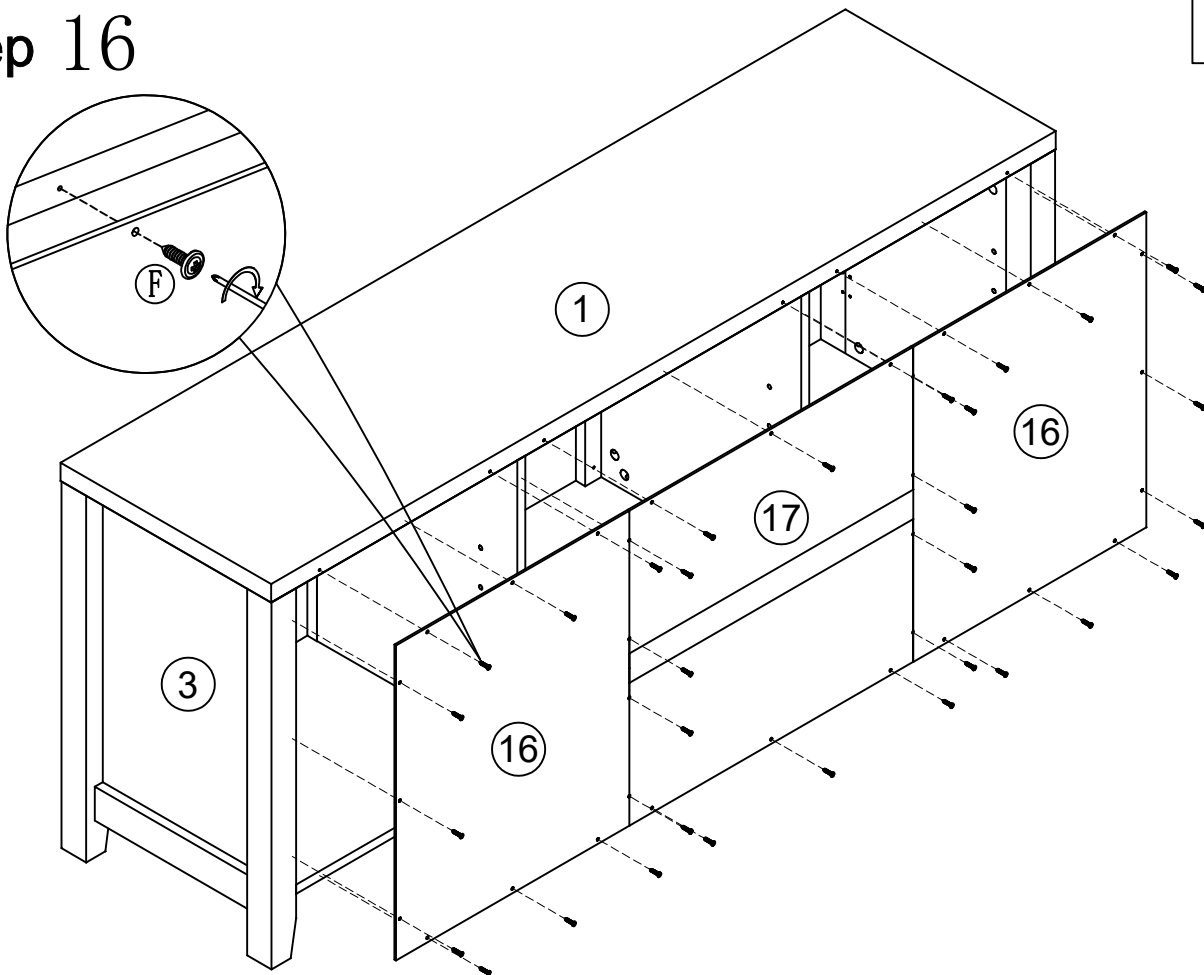
Step 15

C		8
---	---	---

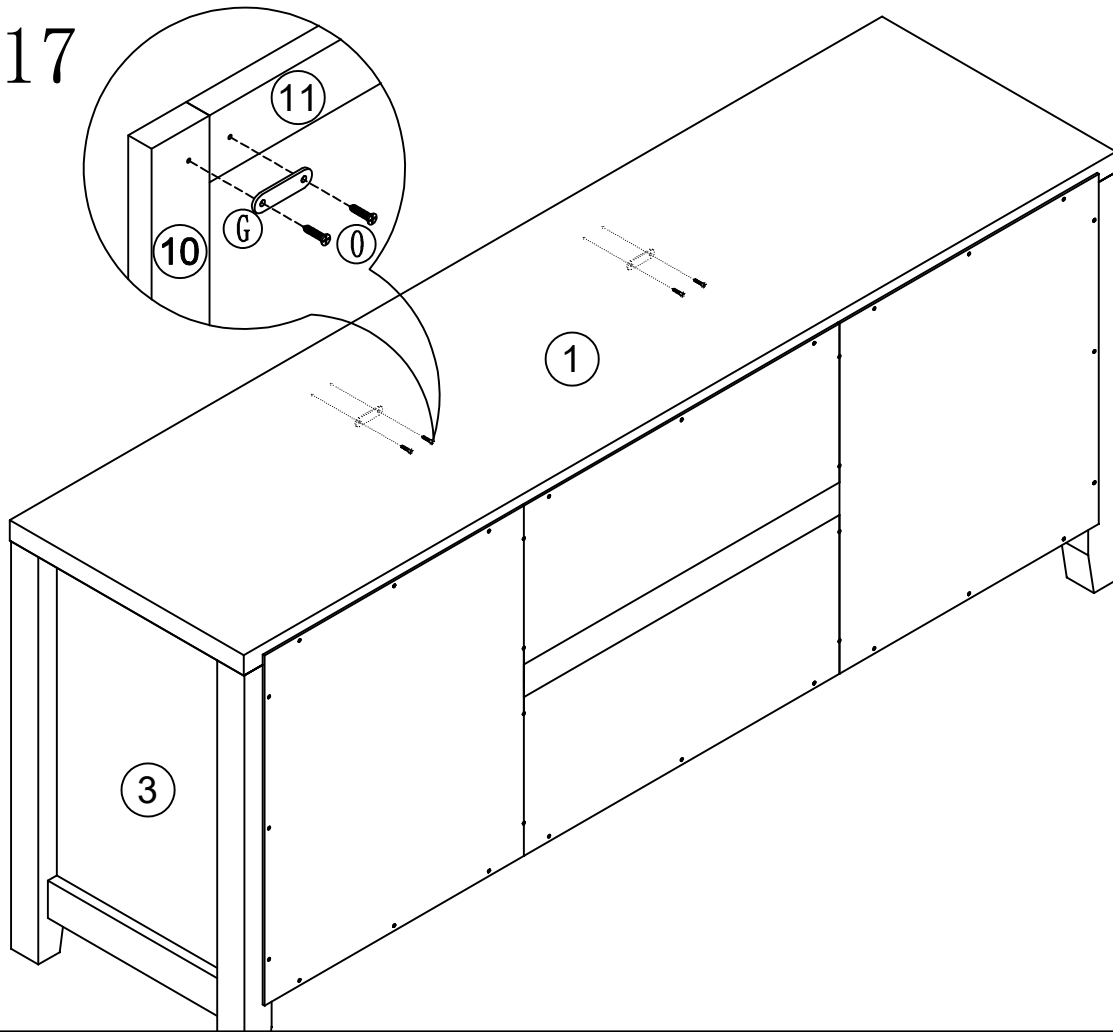




Step 16

F		32
---	---	----

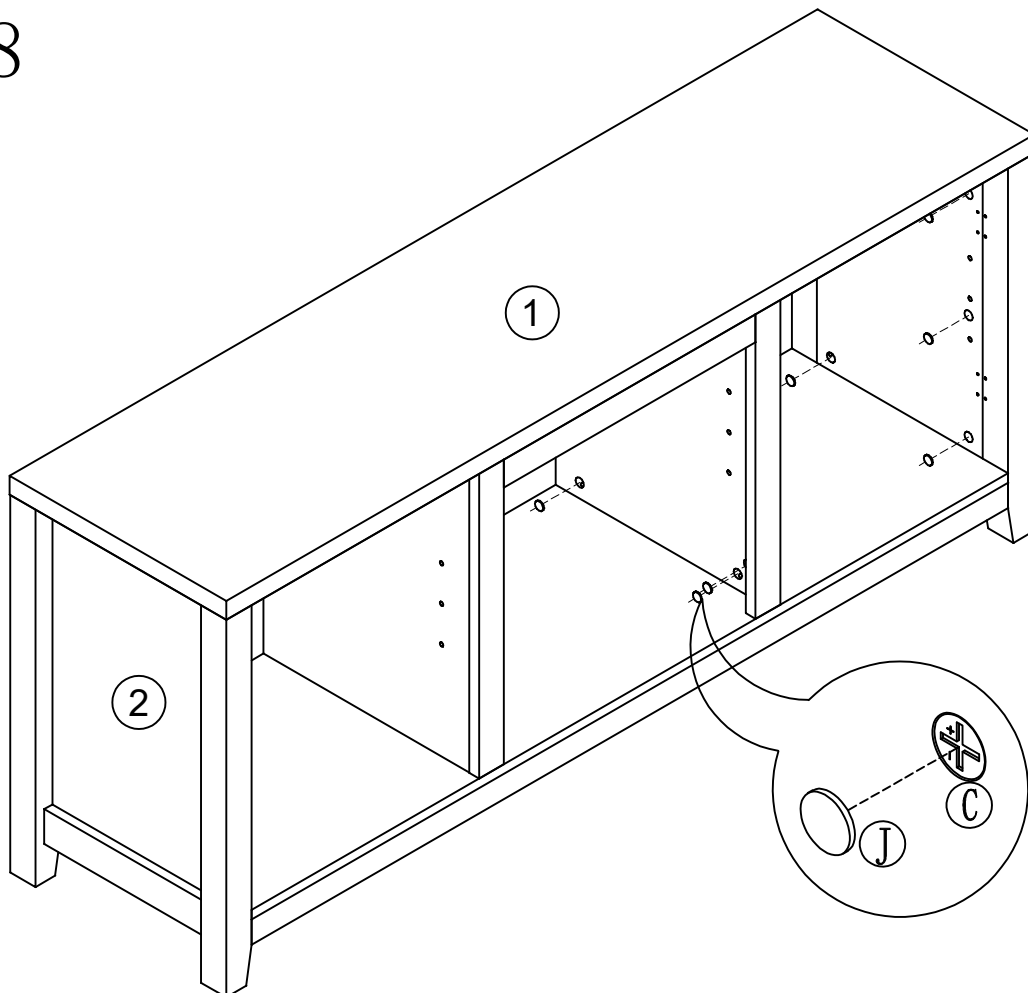


Step 17




G		2
O		4

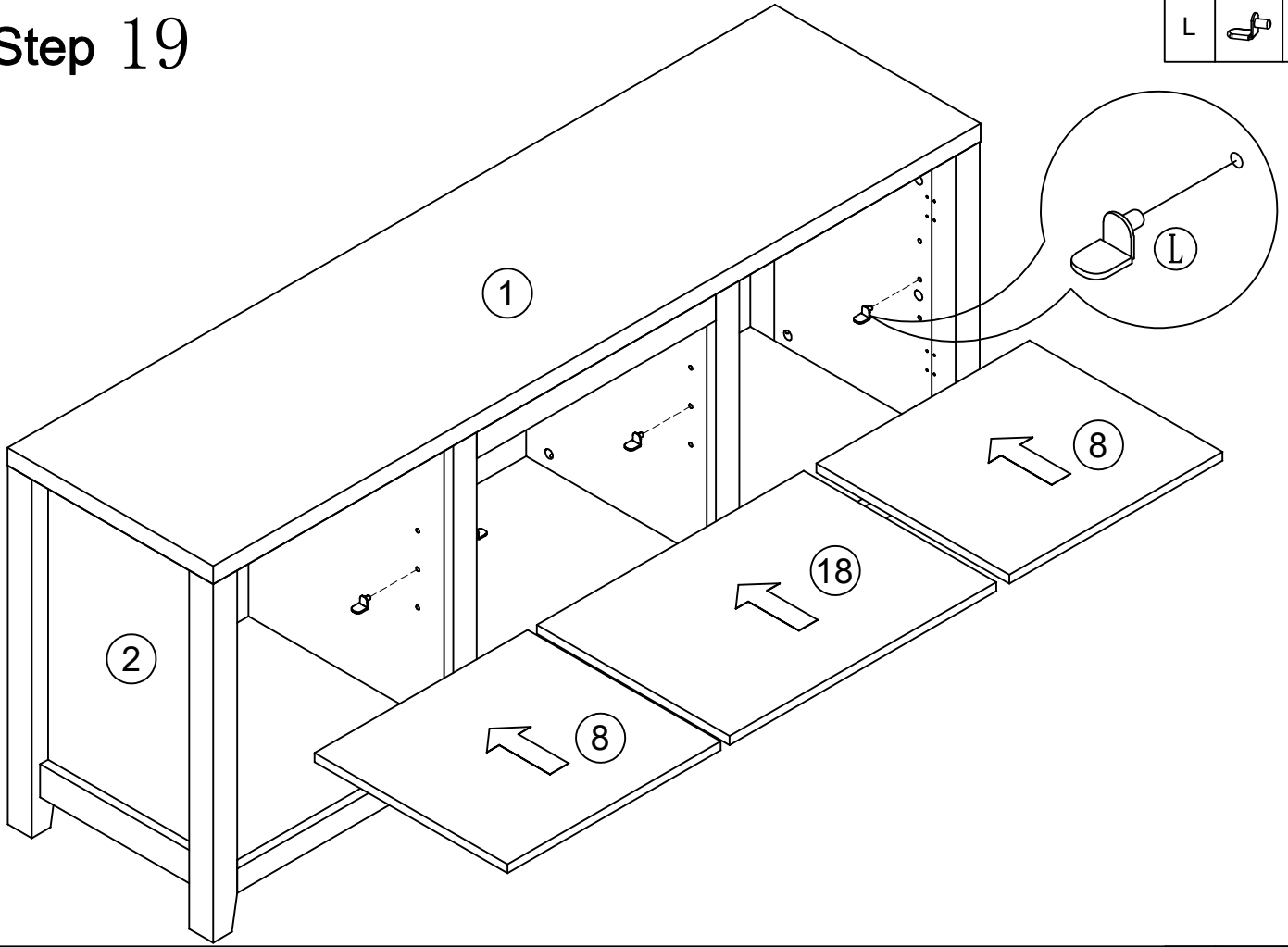
Step 18





J		30
---	---	----

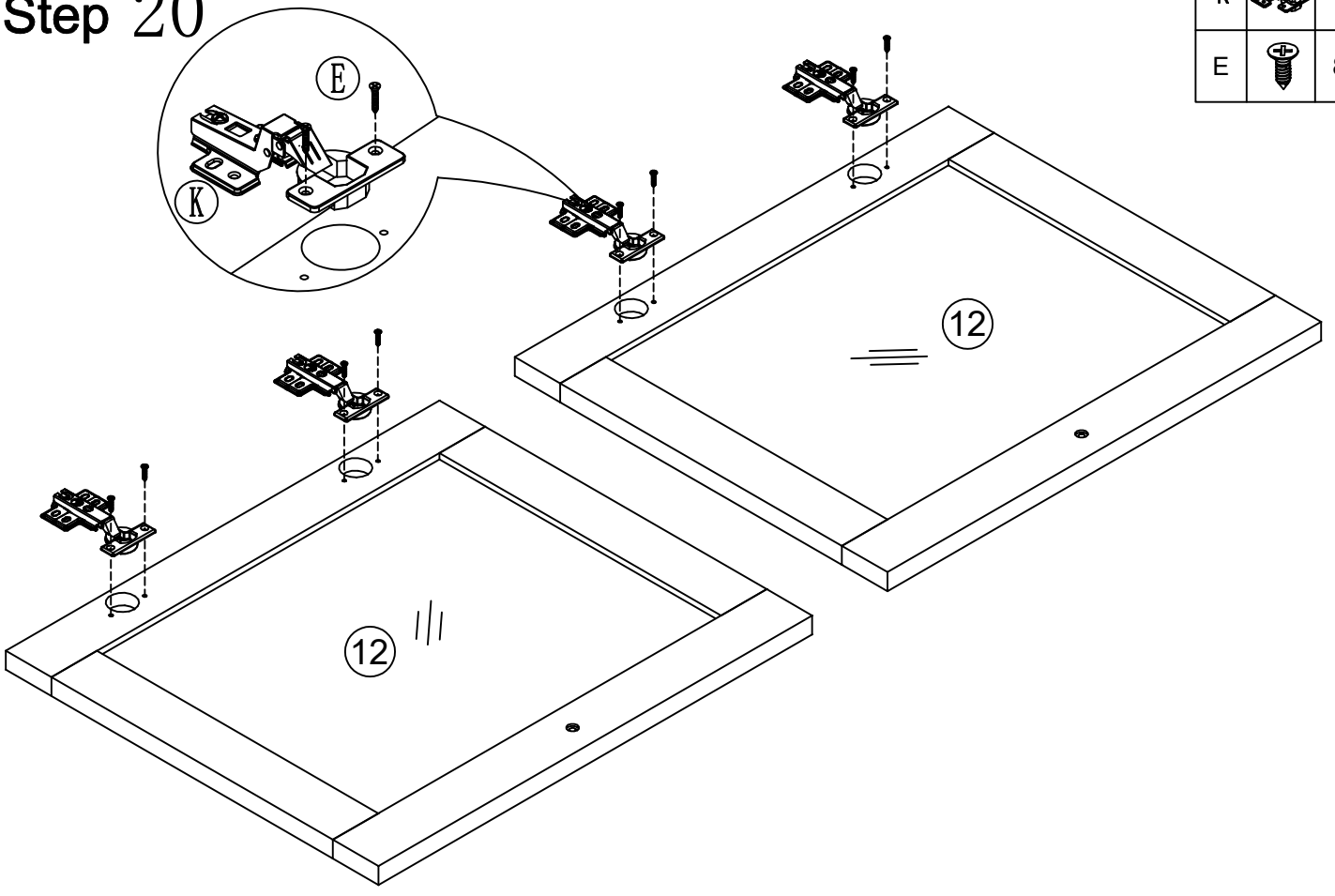
Step 19

L		12
---	---	----



Step 20

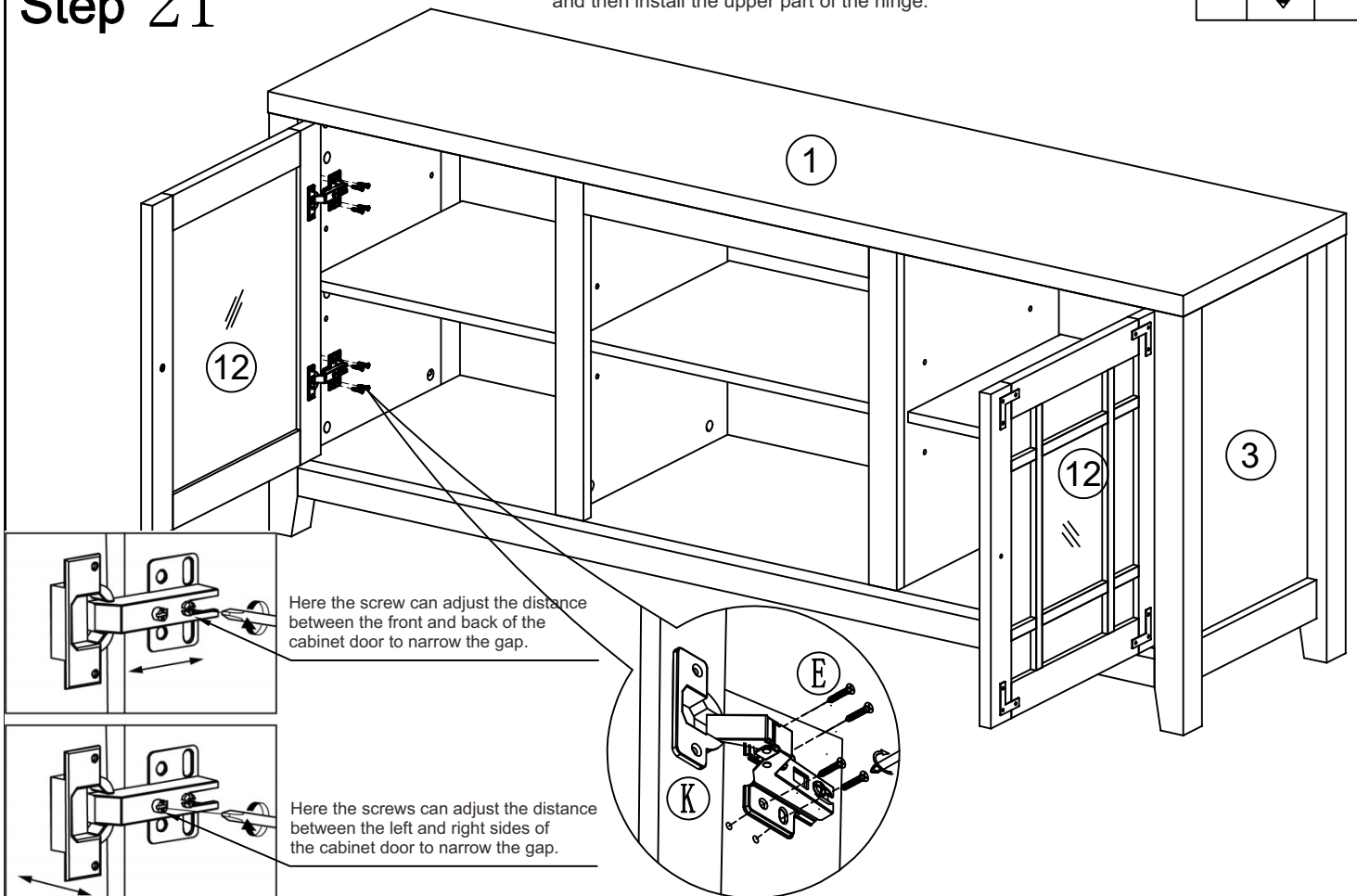
K		4
E		8





Step 21

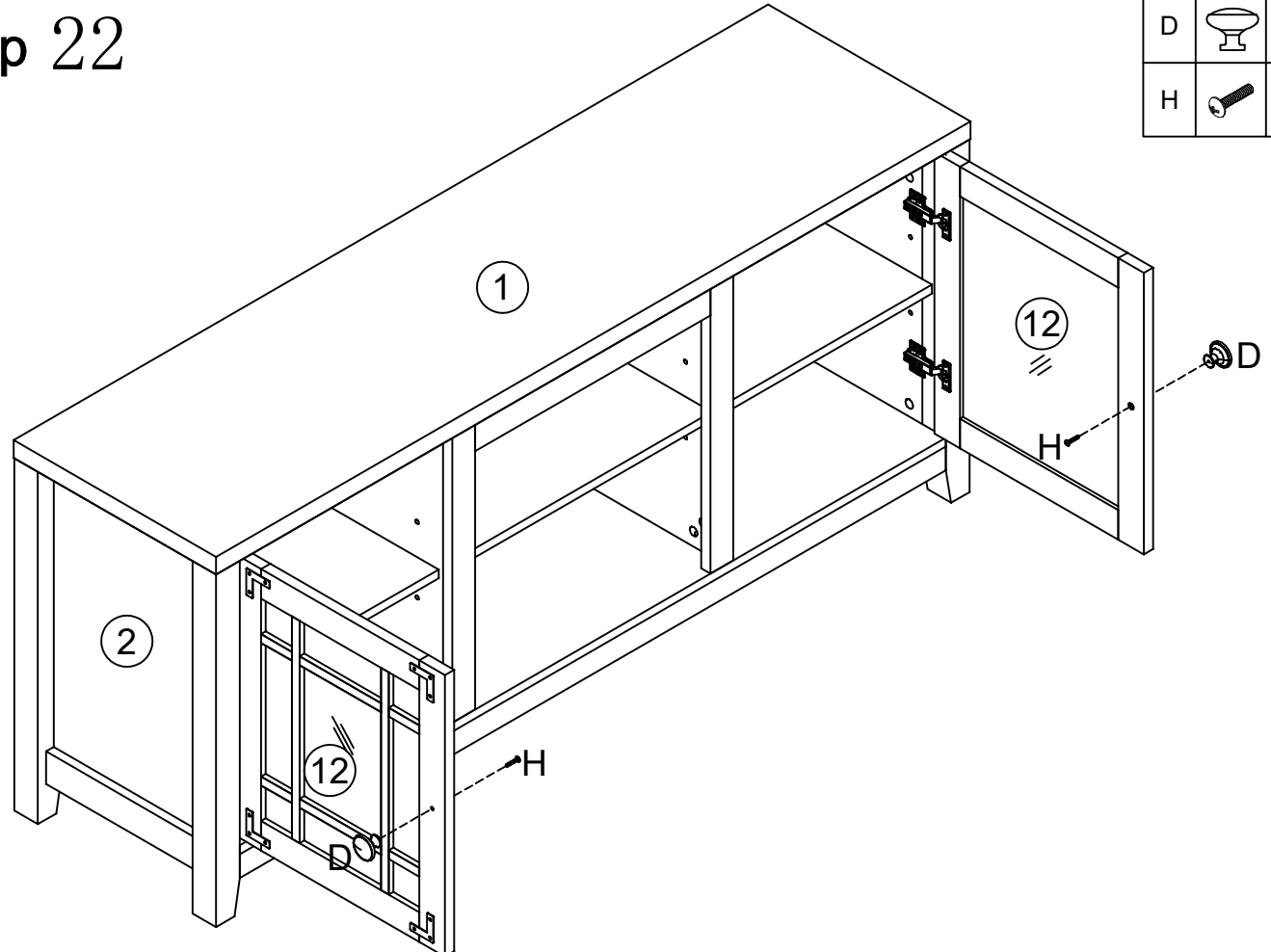
Note: When installing the cabinet door, install the bottom hinge first, and then install the upper part of the hinge.

E		16
---	---	----

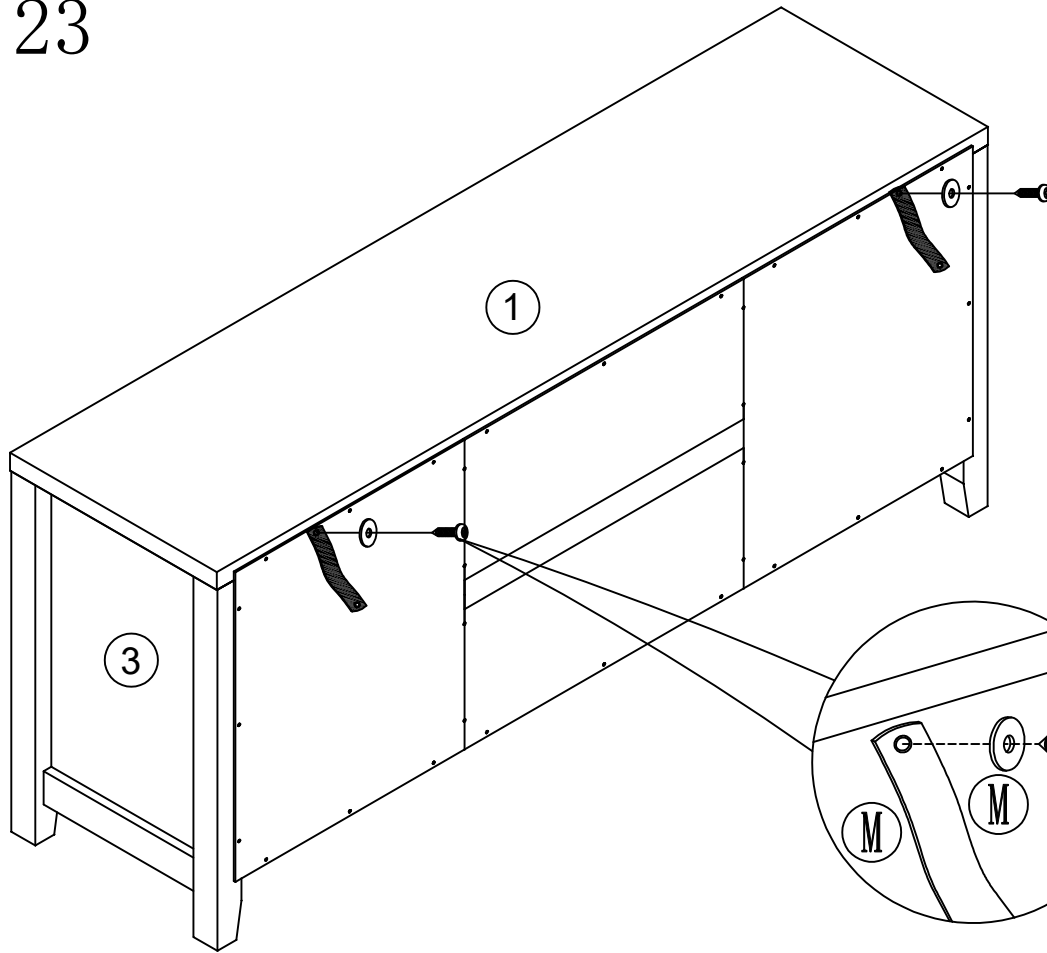


Step 22

D		2
H		2

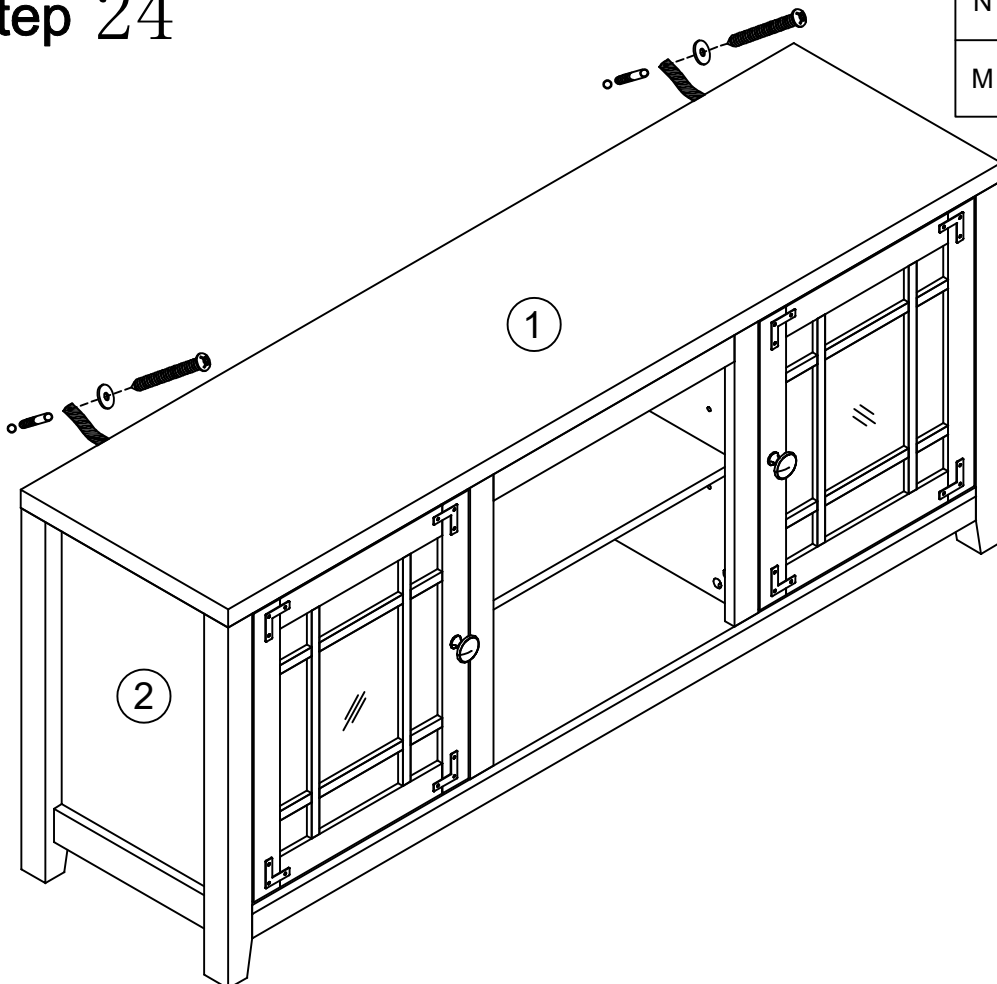


Step 23



M		2
F		2
M		2

Step 24



N		2
M		2

