



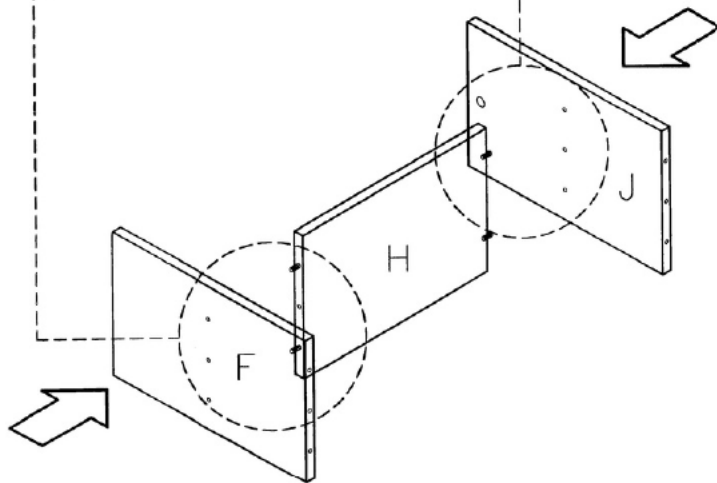
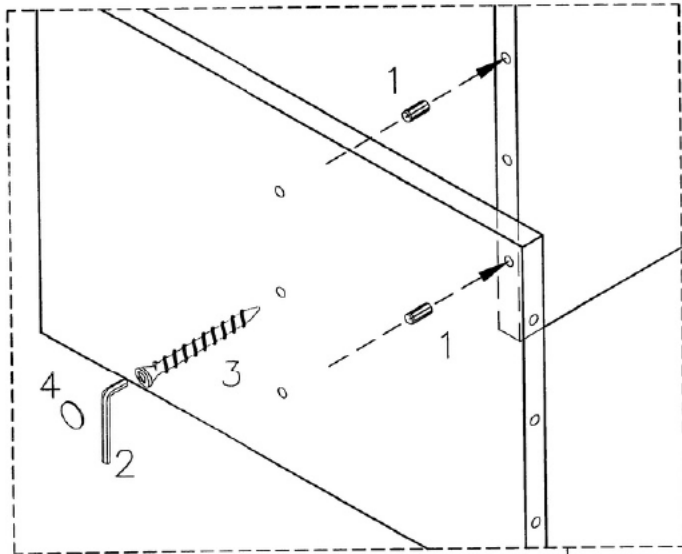
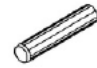





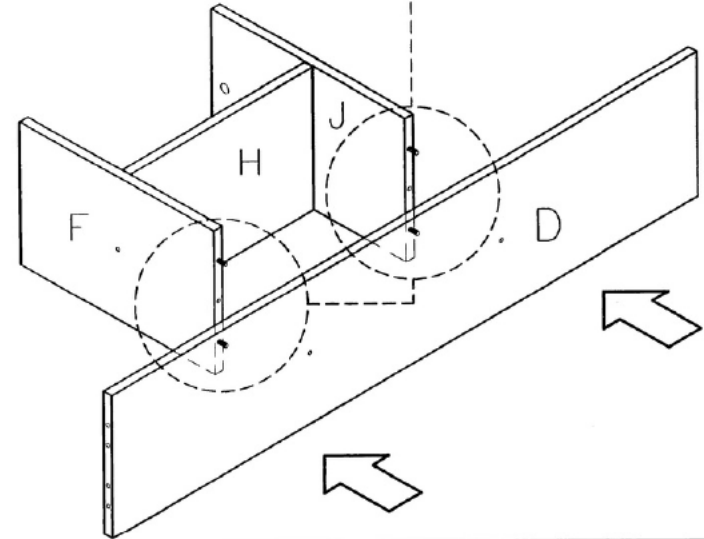
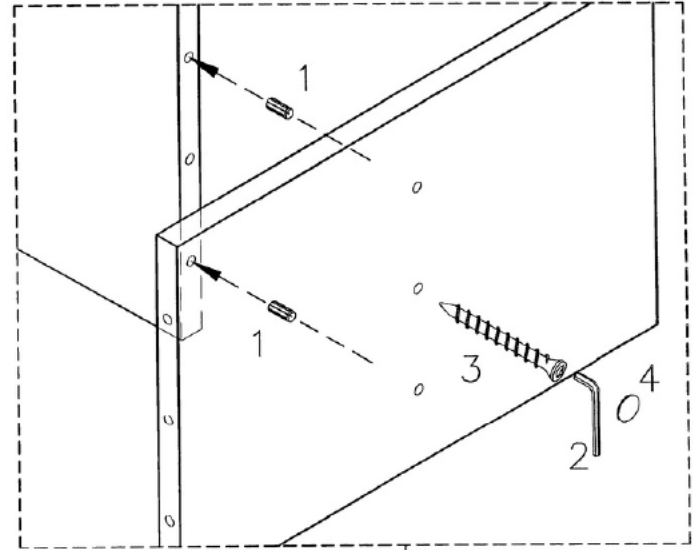
### STEP 1

- |        |   |        |   |
|--------|---|--------|---|
| 1 (X4) |  | 3 (X2) |  |
| 2 (X1) |  | 4 (X2) |  |



### STEP 2

- |        |   |        |   |
|--------|---|--------|---|
| 1 (X4) |  | 3 (X2) |  |
| 2 (X1) |  | 4 (X2) |  |



### STEP 1

1 (X4)



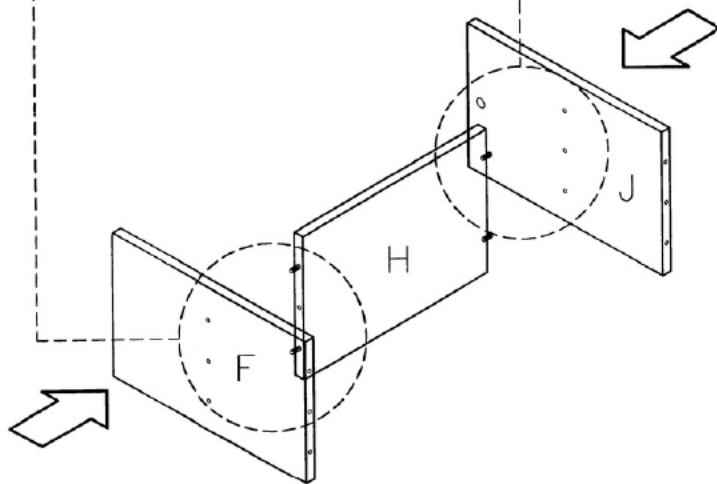
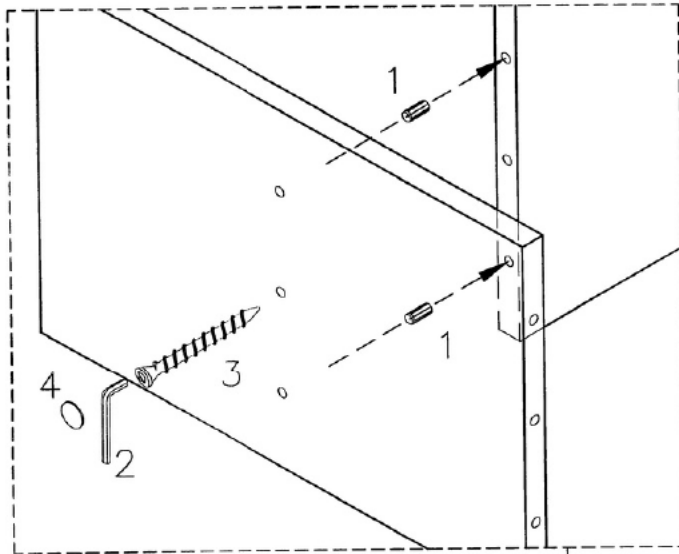
3 (X2)



2 (X1)



4 (X2)



### STEP 2

1 (X4)



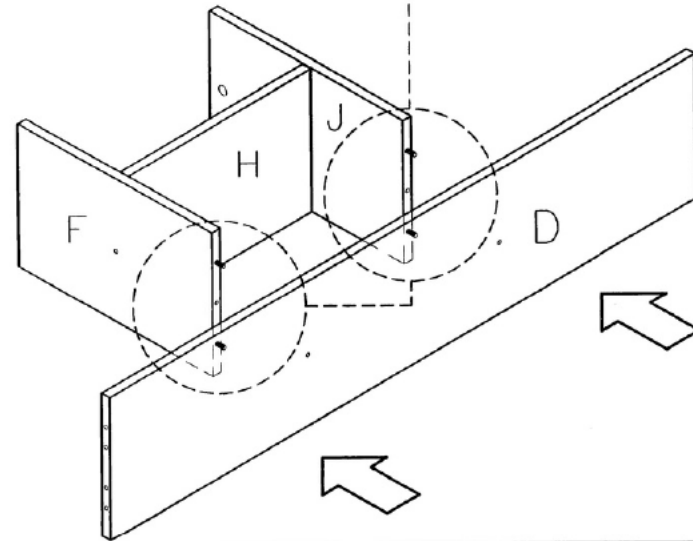
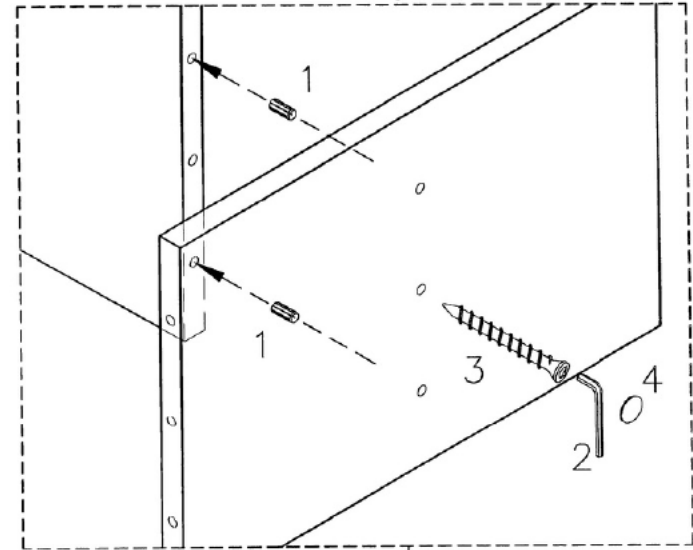
3 (X2)



2 (X1)



4 (X2)

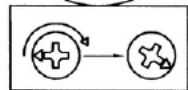
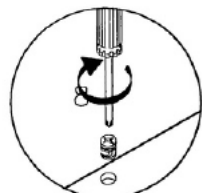
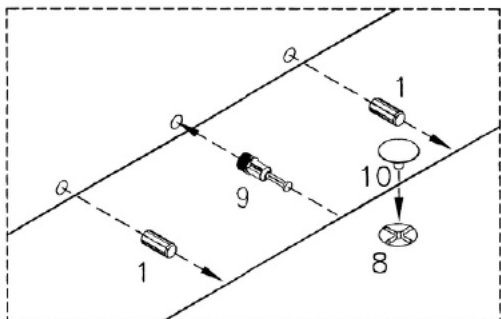


### STEP 3

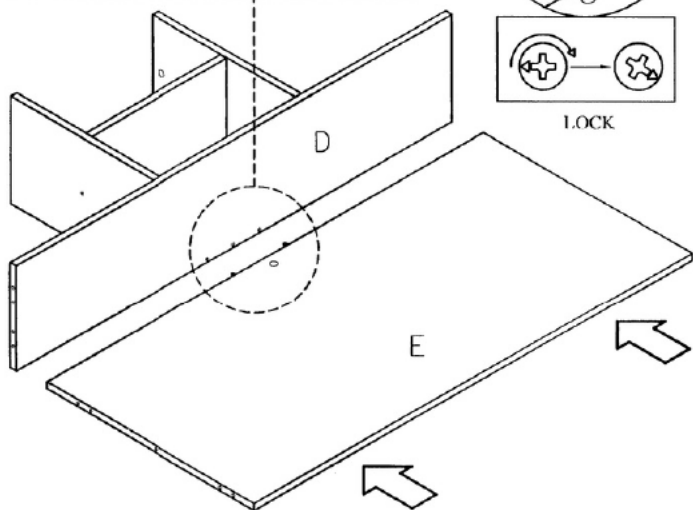
- 1 (X 2)
- 8 (X 1)
- 9 (X 1)
- 10 (X 1)



HARDWARE NO. 8 & NO. 9  
FOLLOW DETAIL

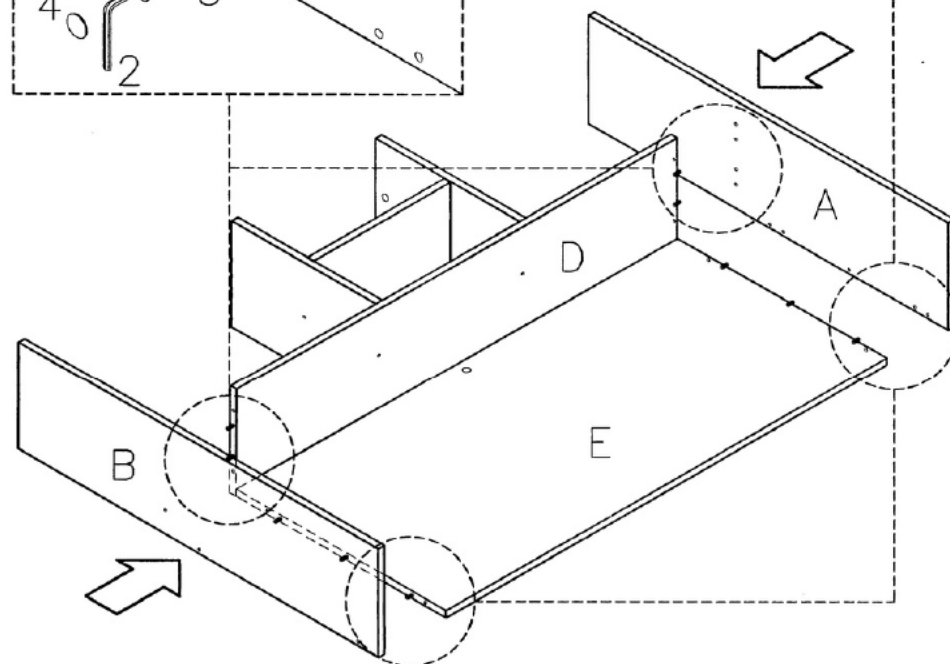
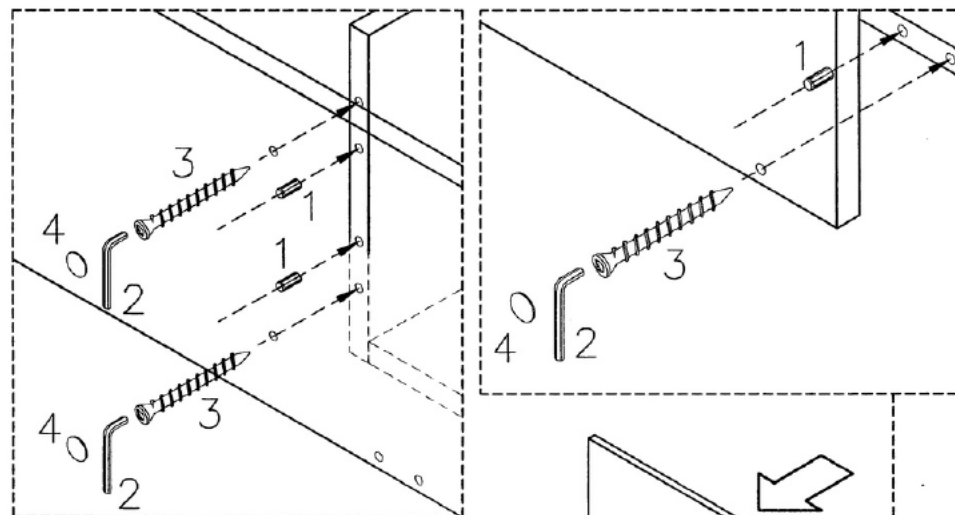
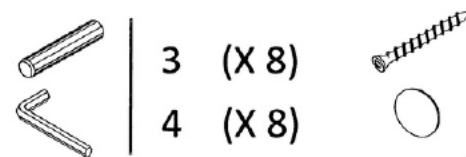


LOCK



### STEP 4

- 1 (X 10)
- 2 (X 1)
- 3 (X 8)
- 4 (X 8)



### STEP 5

1 (X 8)



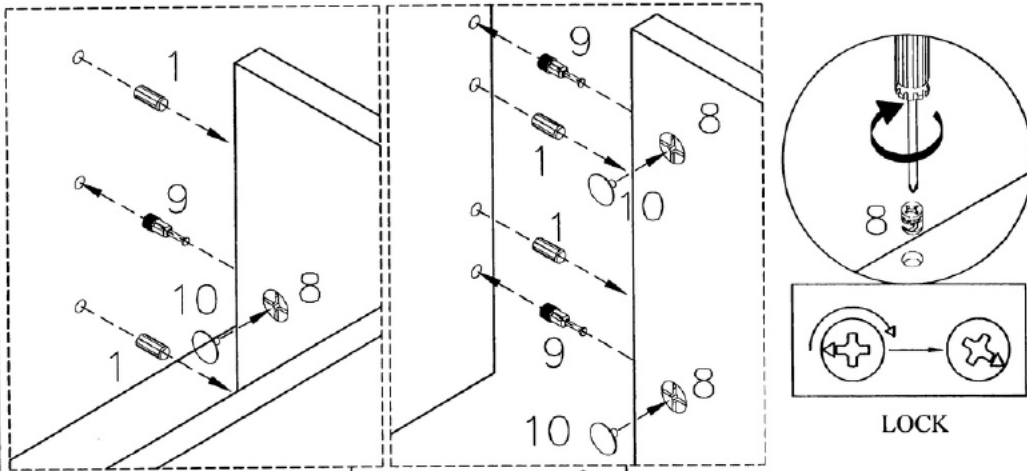
9 (X 6)



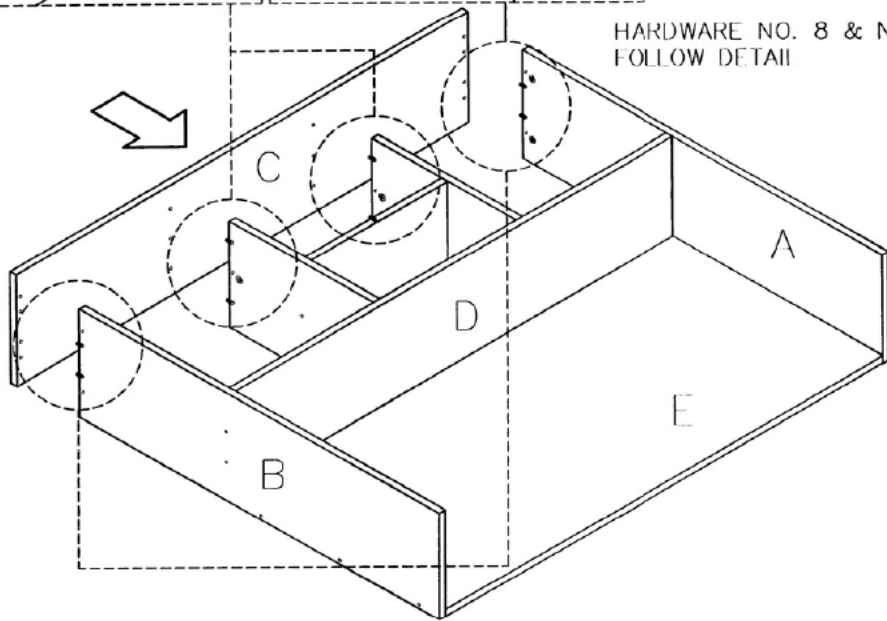
8 (X 6)



10 (X 6)

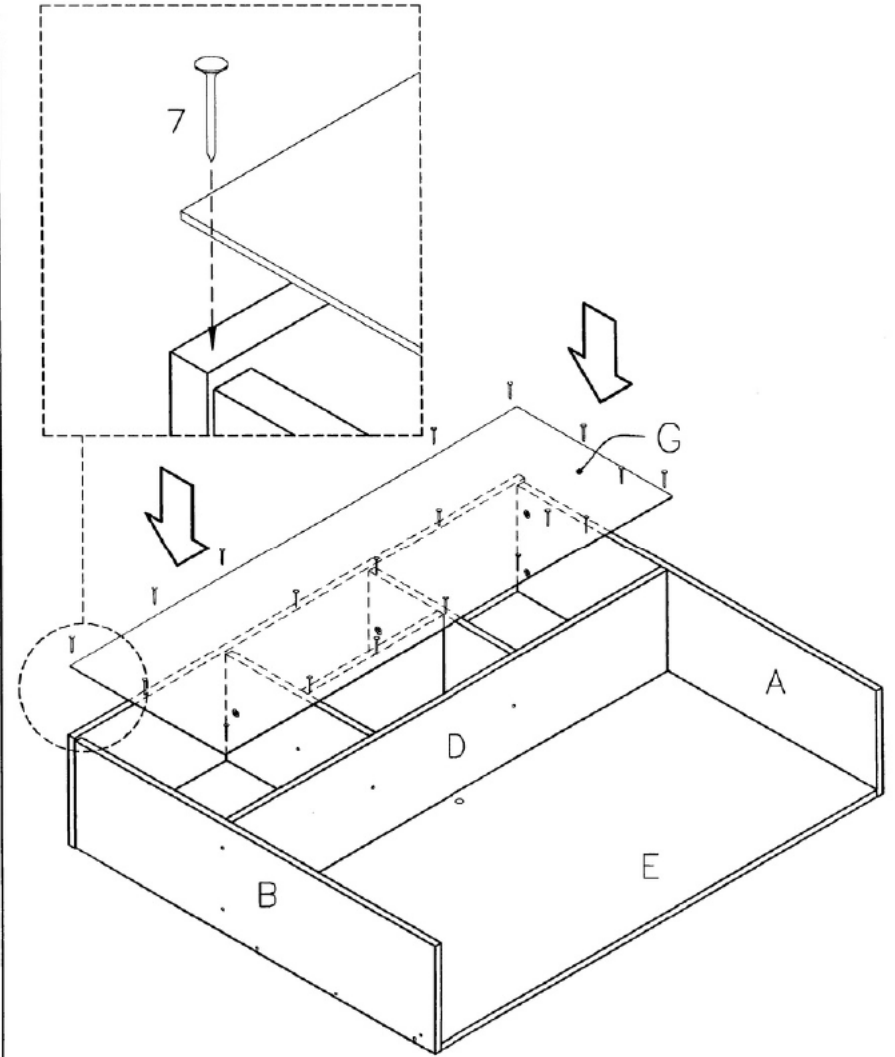


HARDWARE NO. 8 & NO. 9  
FOLLOW DETAIL



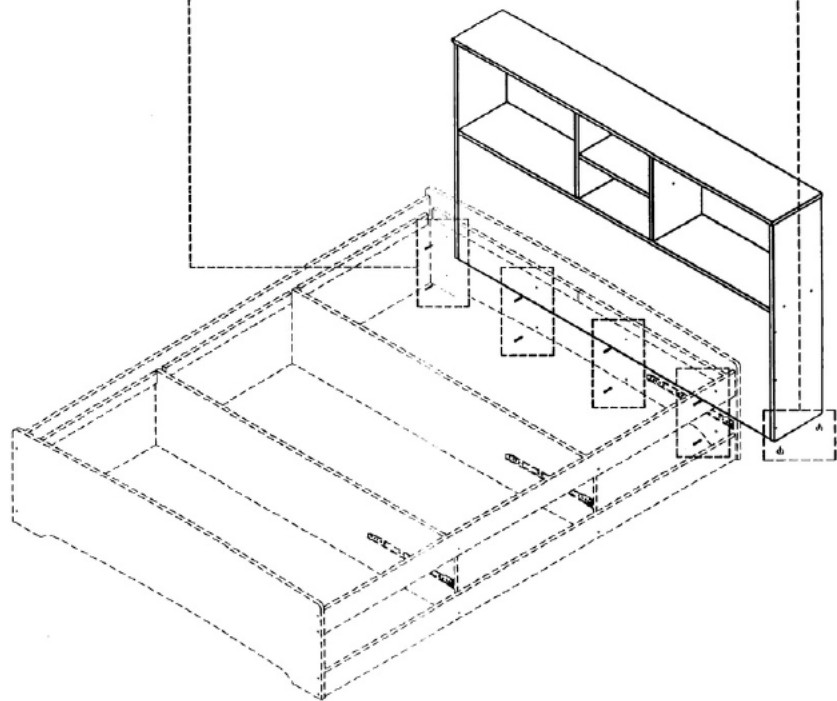
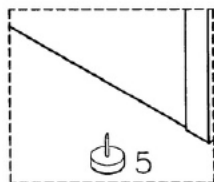
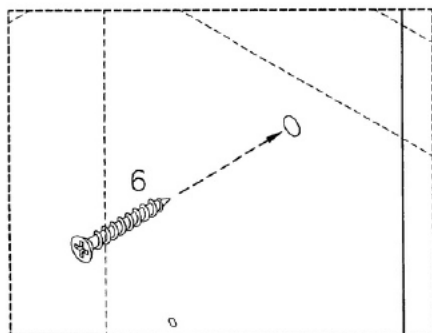
### STEP 6

7 (X 19)

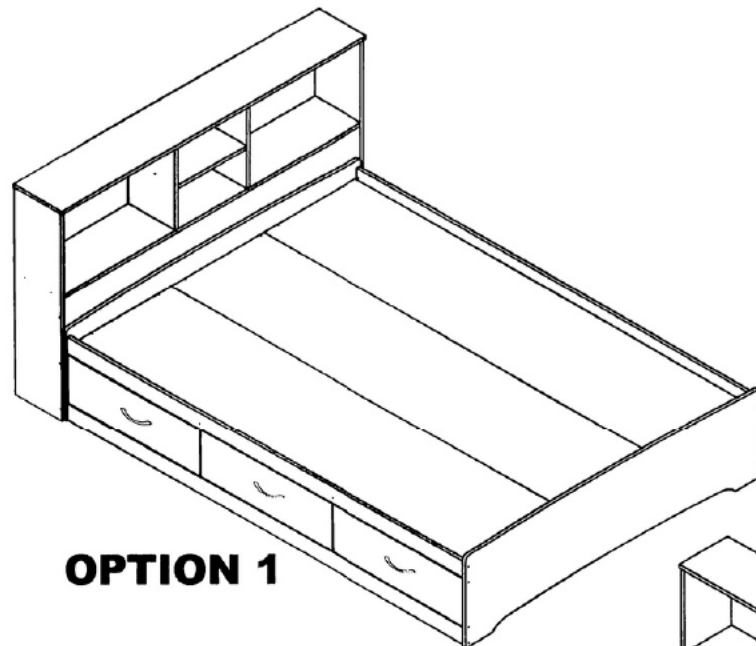


# STEP 7

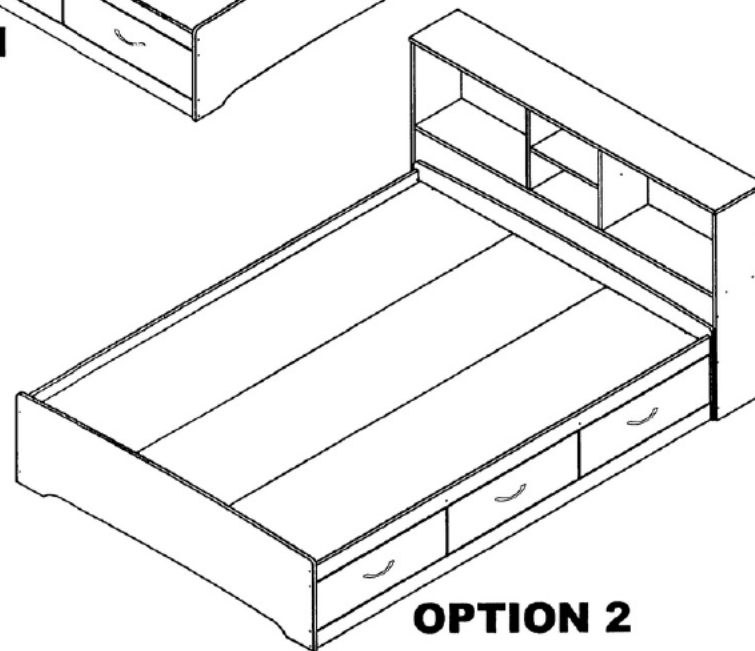
5 (X 5)  
6 (X 8)



# COMPLETED ASSEMBLY



**OPTION 1**



**OPTION 2**