

# ASSEMBLY INSTRUCTIONS

① x4



Bolt M6x20

② x4



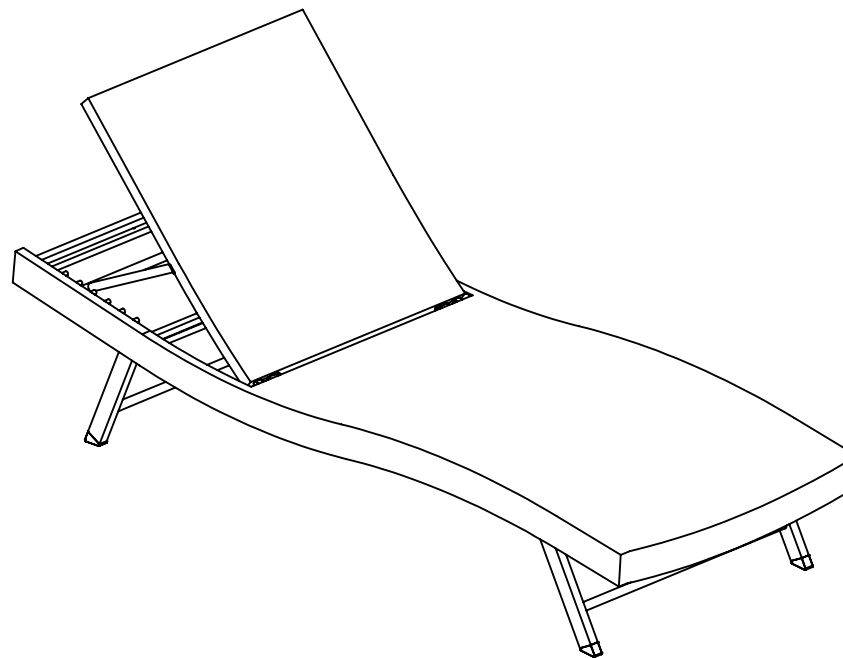
Bolt M6x30

③ x8



Washer 6

④ x1



(EXTRA)



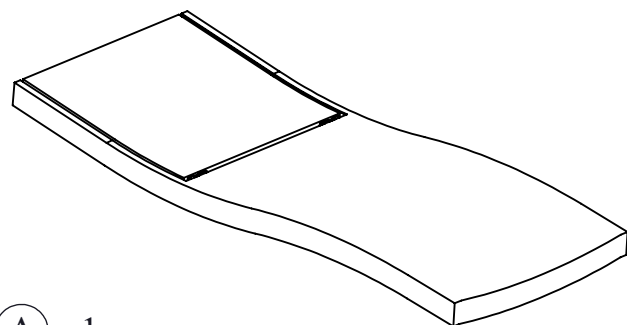
① x1  
Bolt M6x20



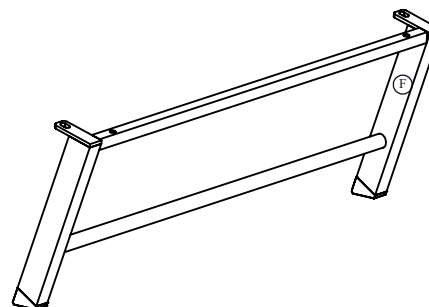
② x1  
Bolt M6x30



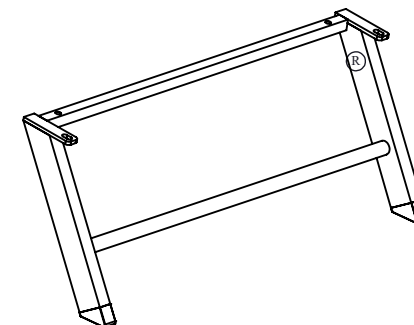
③ x1  
Washer 6



Ⓐ x1



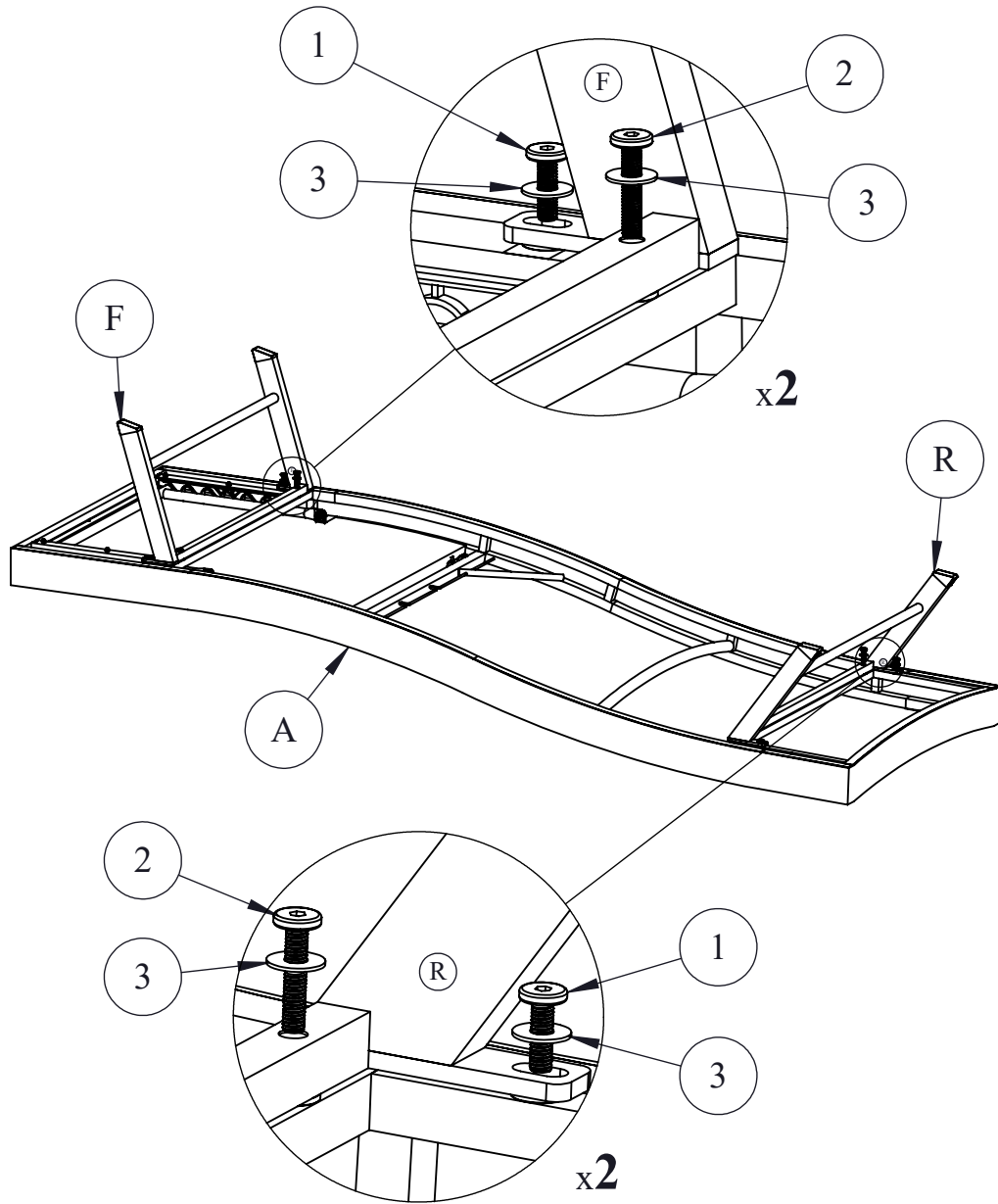
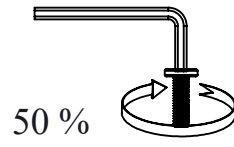
Ⓕ x1



Ⓖ x1

# ASSEMBLY INSTRUCTIONS

Step 1



Step 2

