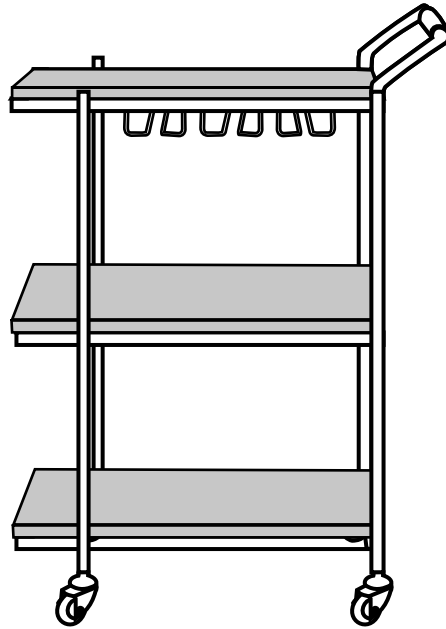


ASSEMBLY INSTRUCTIONS.


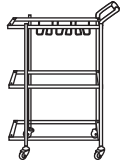
BAR CART



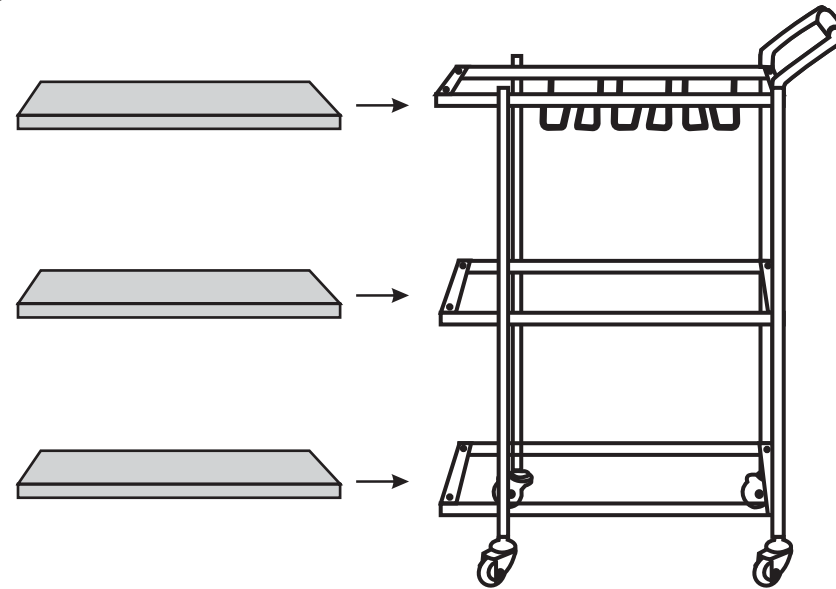
THANK YOU FOR YOUR PURCHASE!

PARTS AND HARDWARE.

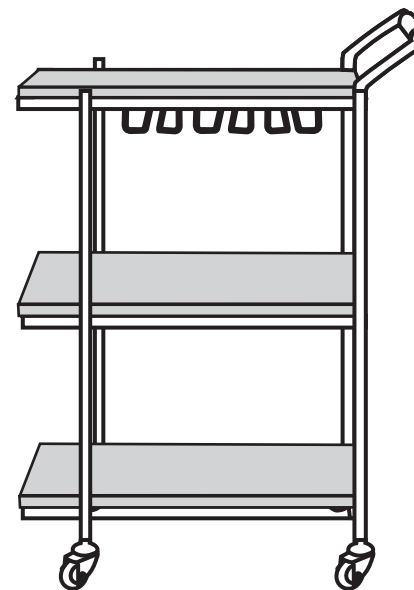
PARTS LIST

No.	DESCRIPTION	IMAGE	QTY
P1	MARBLE TOP		3
P2	METAL BASE		1

STEP 1.



STEP 2.



NOTES.

Thank you for purchasing this quality product! Be sure to check all packing material carefully for small part that may have come loose inside the carton during shipping.

CAUTION: The item is heavy, assembly should be performed by two people.