

# BASIN FAUCET INSTALLATION MANUAL



2382-F



2382-I

# CONTENT

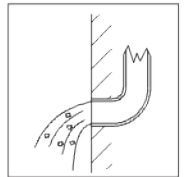
---

<b>1.Installation Condition</b>	P1
<b>2.Model:2382-F Basin Faucet Installation</b>	
Basin Faucet Accessories List	P2
Hose Connection Travel	P2
Basin Faucet Installation Step 1	P3
Basin Faucet Installation Step 2	P4
Basin Faucet Application Lnstruction	P5
<b>3.Model:2382-I Wall Mount Basin Faucet Installation</b>	
Wall Mount Faucet Accessories List	P6
Installation Size Dimensions	P6
Installation Depth Of Main Body	P7
Main Body Installation	P8
<b>4.Clean And Maintenance</b>	P9

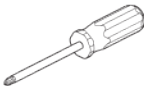
## Installation Condition



- 1.Refer to the 《Standard Part List》 when unpacking , check all parts available .
- 2.Do not disassemble mixer body by yourself.
- 3.Connect inlet hoses to supply valves.
- 4.Make sure inlet pipes and supply valves have been installed and cleaned, also ensure no impurities in pipeline.
- 5.After installation , check all joints for leakages.
- 6.Suggest don't fit the faucet in these severely corrosive environments.

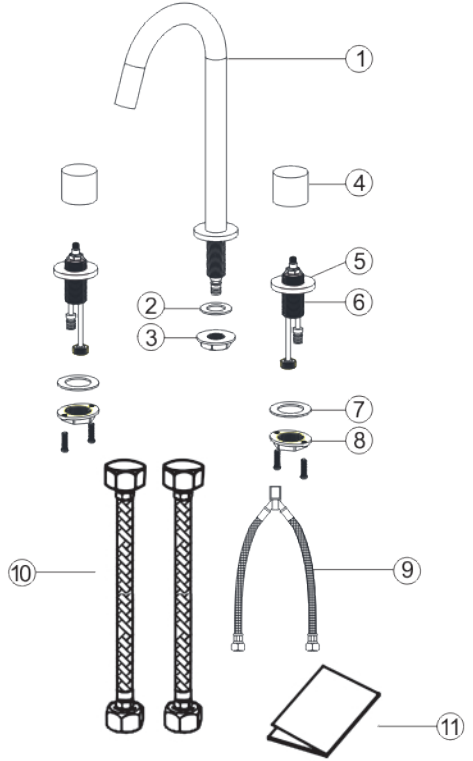


### YOU MAY NEED:

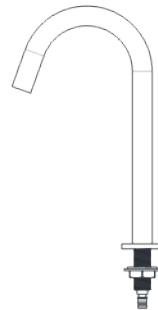
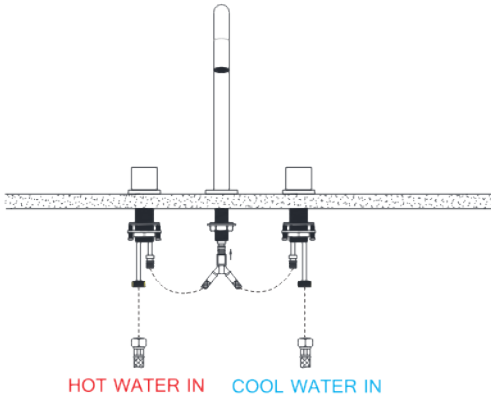


# Basin Faucet Accessories List

NO	Part Name	Quantity
1	Faucet Body	1
2	Faucet Body Gasket	1
3	Nut	1
4	Handle	2
5	Decorate seat	2
6	Control Water Body	2
7	Handle Gasket	2
8	Handle Nut	2
9	Connect Hose	1
10	Hot And Cold Hose	1
11	Instruction Manual	1

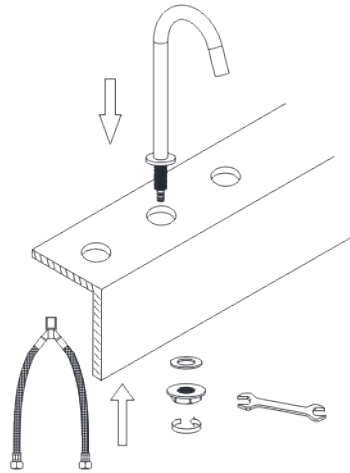


# Hose Connection Travel



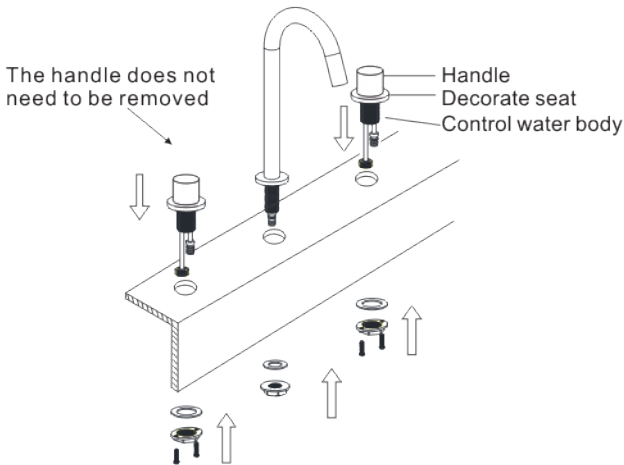
# Basin Faucet Installation

1



Faucet Body through the basin hole. Install Faucet Body Gasket and Mounting Nut in sequence and tighten the nut with a wrench. Press and hold the button on the Connect hose head to connect to the body fitting

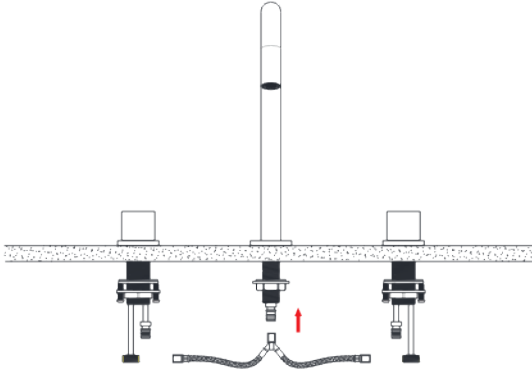
2



Remove the Handle and put them on the basin holes .Connect the Control Water Bodies with Handle and Handle rod from the above of the basin holes. Finally install the handle gasket and handle nut and use screws tighten them. (Not to disassembled the valve by yourself, otherwise leakage will occur. )

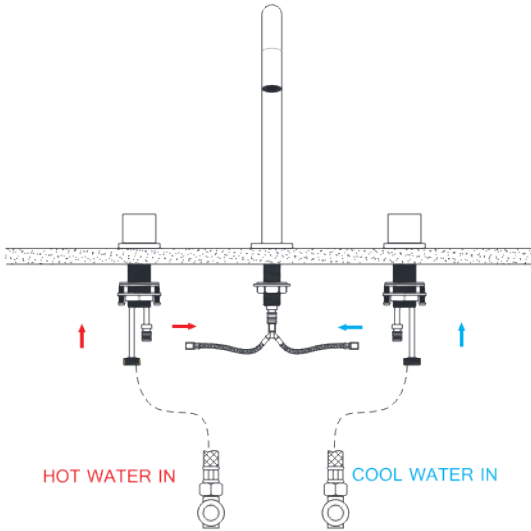
# Basin Faucet Installation

3



Connect one side of the inlet connect hoses to the Control Water Bodies.

4

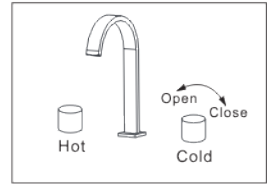


Separately connect another two inlet hoses to angle valves and control water bodies, left connect to the hot water, right connect to cold water.

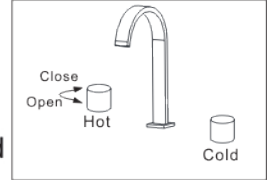
## Basin Faucet Application Instruction

---

1: Operating handle gradually is better for valve protection

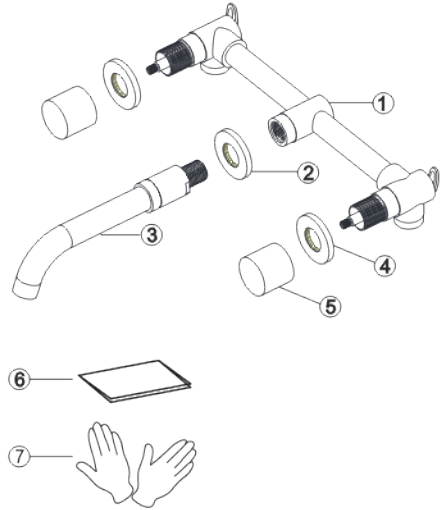


2: The handles turn right or left is to open or close. The larger the rotation angle, the larger the flow rate. Conversely, the smaller the rotation angle, the smaller the flow rate. Mixed warm water when the cold water handle and the hot water handle are opened at the same time.



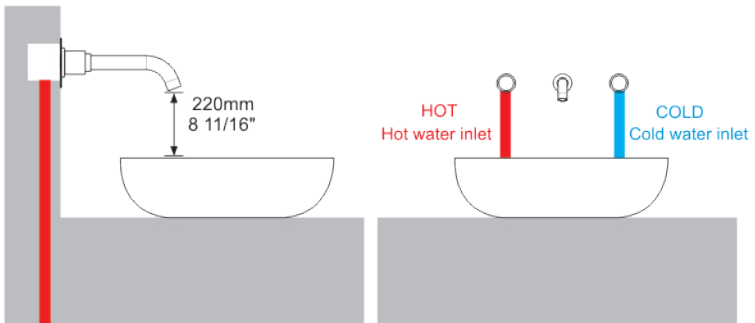
# Wall Mount Faucet Standard Accessories List

1	Main body	1
2	Spout base	1
3	Spout	1
4	Handle cup	2
5	Handle	2
6	Instruction manual	1
7	Gloves	2



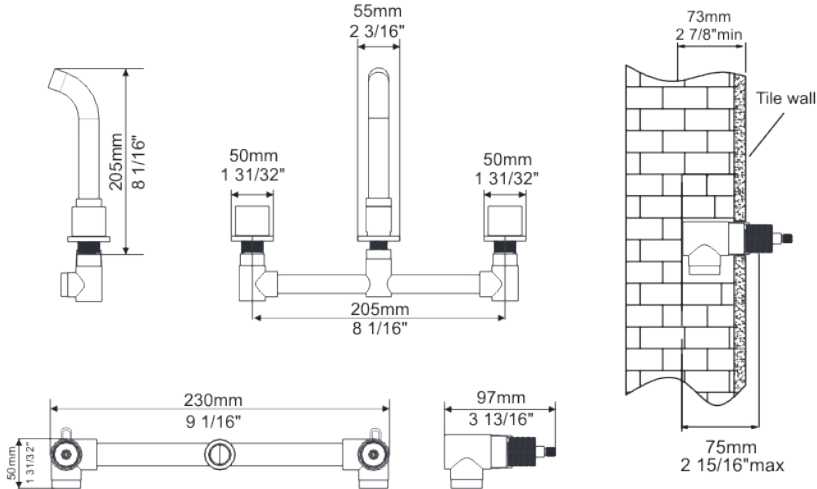
# Installation Size Dimensions

Unit:mm/inch



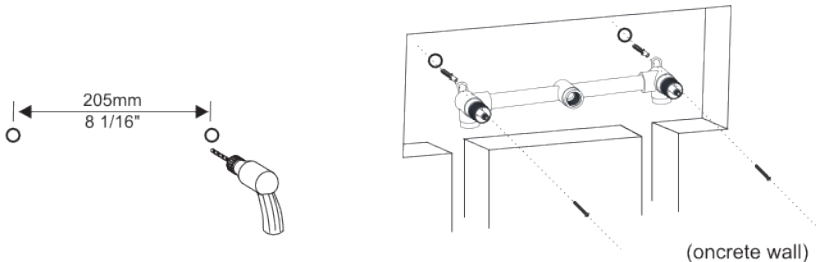
# Installation Depth Of Main Body

Unit:mm/inch



Notice: The installation depth of main body should be no less than 2 7/8"(73mm) and no more than 2 15/16"(75mm), including the thickness of tile. Otherwise, the handle cup cannot be installed.

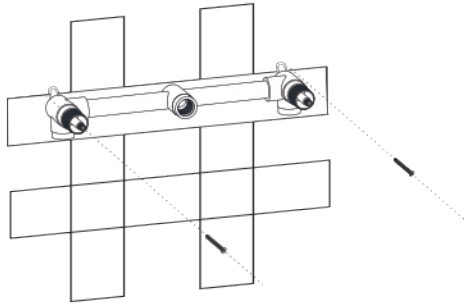
## The main body to install(Concrete wall)



1. Make marks according to the size of the main body valve, and then drill anchors into the wall. (concrete wall)
2. Install the screw sleeve into the drilled hole first, and then fix the main body with the screw. Connect the hot and cold water inlet pipes. Finally seal the main body with concrete (note: do not block the connection hole where the spout is installed in the middle of the main body)

## The main body to install(wood wall)

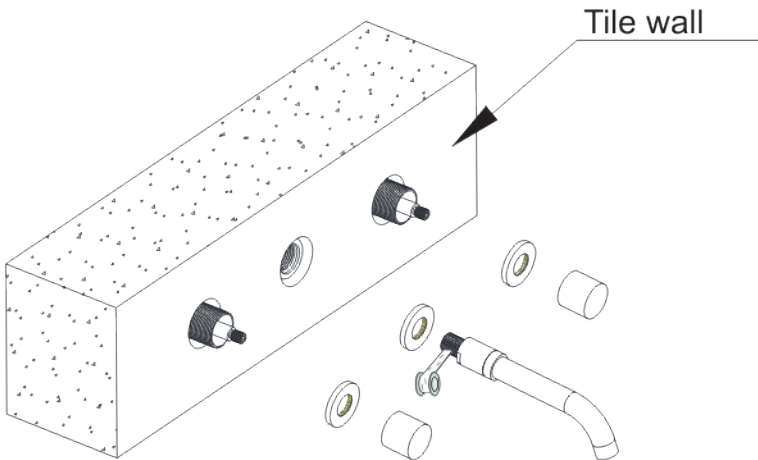
---



(wood wall)

Lock main body to wood directly with screws.(wood wall)

---



Binding Pianerl, Handle, Spout in order , and then lock the handwheel with screws.

# Clean And Maintenance

## Do's

1. In order to keep the mixer surface bright, please clean the mixer regularly.
2. Rinse faucet with clean water and wipe it with soft cotton cloth.
3. Use one of the following cleaners to remove dirt on the surface:
  - a. Mild liquid cleaner.
  - b. Colorless glass cleaner and powder cleaner which does not cause abrasion and can be dissolved completely.
  - c. Polish liquid which does not cause abrasion.



## Don'ts

- a. Avoid using cleaning powder, harsh cleaning chemicals, brushes and coarse cloth to prevent scratching and friction.
- b. Do not use acid cleaner to clean the faucet as it may cause surface corrosion of the faucet. If the faucet should be exposed to harmful acid substances, please rinse it with water immediately.