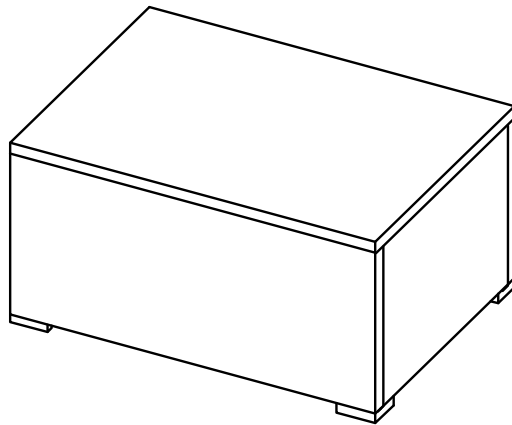
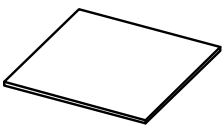
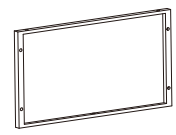
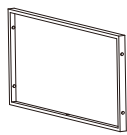


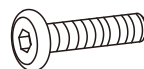
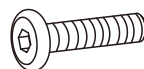



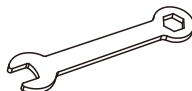

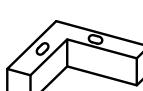
# Outdoor Wicker Coffee Table



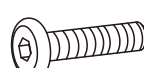
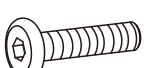



# PART LIST

<b>A</b> 	<b>B</b> 	<b>C</b> 
Wicker Top 1 PC	Side Panel 2 PCS	End Panel 2 PCS

# HARDWARE LIST

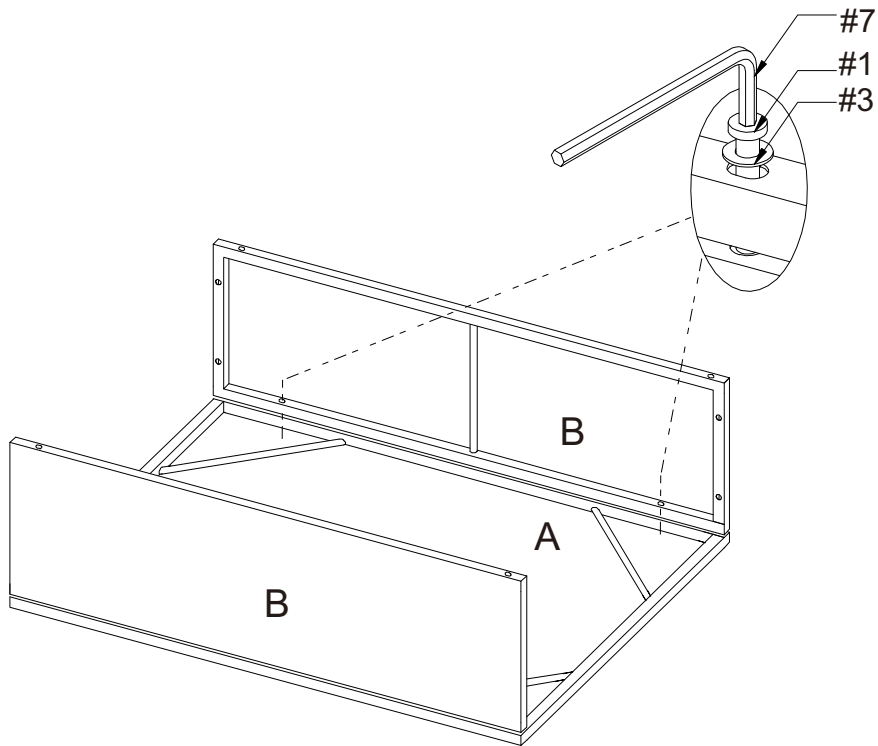
<b>#1</b>  M6*30mm	<b>#2</b>  M6*35mm	<b>#3</b>  D18mm	<b>#4</b>  D12mm	<b>#5</b>  M6mm
Short Bolt 12 PCS	Long Bolt 8 PCS	Washer 12 PCS	Small Washer 8 PCS	Nut 8 PCS
<b>#6</b>  M6mm	<b>#7</b>  M6mm	<b>#8</b> 		
Wrench 1 PC	Allen Key 1 PC	L Foot 4 PCS		

# EXTRA HARDWARE LIST

<b>#1</b>  M6*30mm	<b>#2</b>  M6*35mm	<b>#3</b>  D18mm	<b>#4</b>  D12mm	<b>#5</b>  M6mm
Short Bolt 1 PC	Long Bolt 1 PC	Washer 1 PC	Small Washer 1 PC	Nut 1 PC

Step 1. Lay wicker top (part A) on a soft flat surface, such as carpet, as shown below. Attach side panels (part B) to top panel (part A) using short bolts (part #1), washers (part #3) and allen key (part #7).

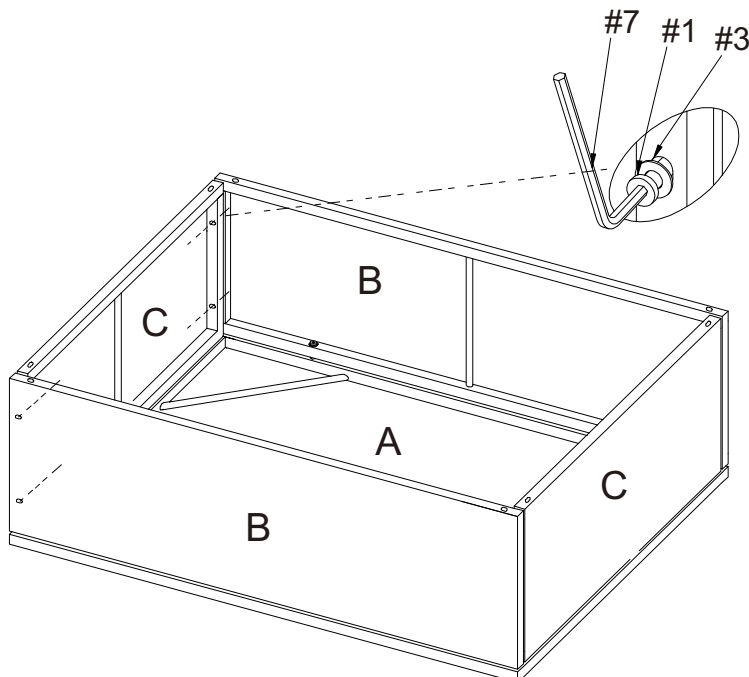
NOTE: Please do not fully tighten bolts until unit is fully assembled.






#1		x4
#3		x4
#7		x1

Step 2. Attach end panels (part #C) to assembled unit (parts A&B) using short bolts (part #1), washers (part #3) and allen key (part #7).

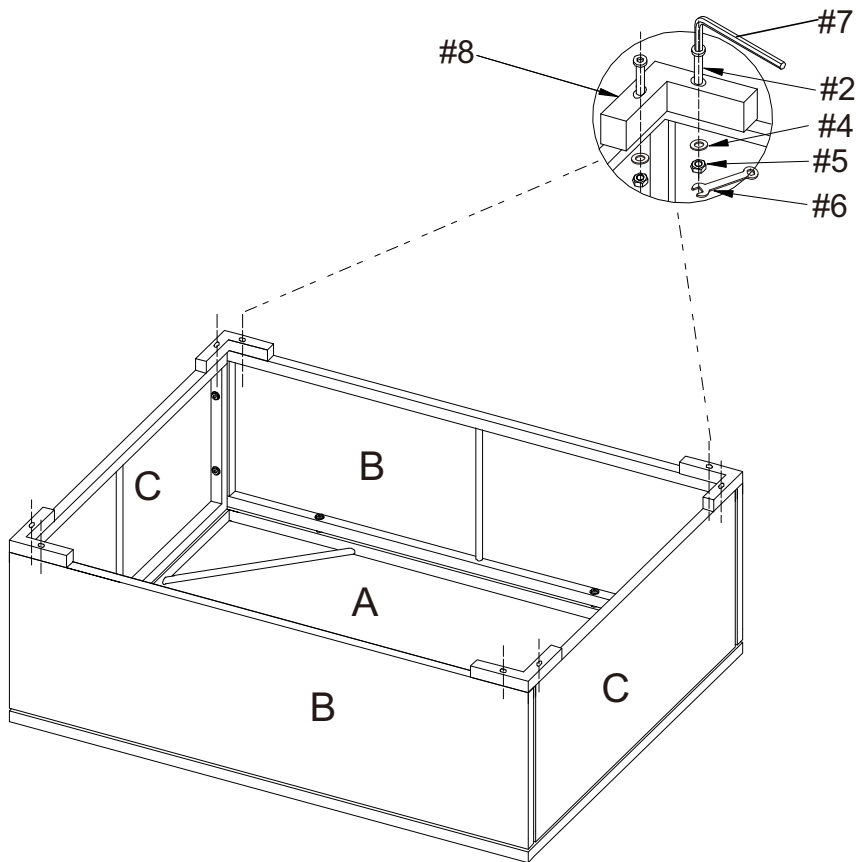
NOTE: Please do not fully tighten bolts until unit is fully assembled.









#1		x8
#3		x8
#7		x1

Step 3. Attach L feet (part #8) to assembled unit (parts B&C) using long bolts (part #2),small washers (part #4),nuts (part #5),wrench (part #6) and allen key (part #7).

NOTE: Please fully tighten all bolts at this time.



- |    |                                                                                       |    |
|----|---------------------------------------------------------------------------------------|----|
| #2 |    | x8 |
| #4 |  | x8 |
| #7 |  | x1 |
| #8 |  | x4 |
| #5 |  | x8 |
| #6 |  | x1 |

Step 4. Carefully turn the coffee table upright.

