


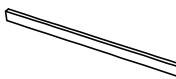




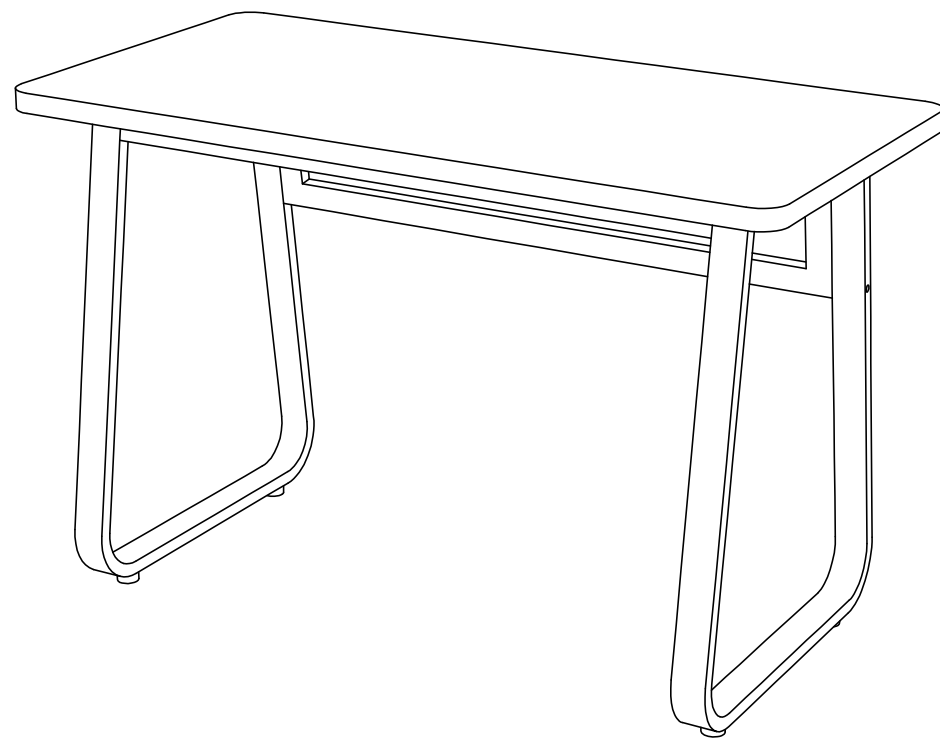


ASSEMBLE INSTRUCTION

A		1pc
B		2pcs
C		1pc
D		1pc

E		6pcs
F		1pc
G		4pcs
H		4pcs

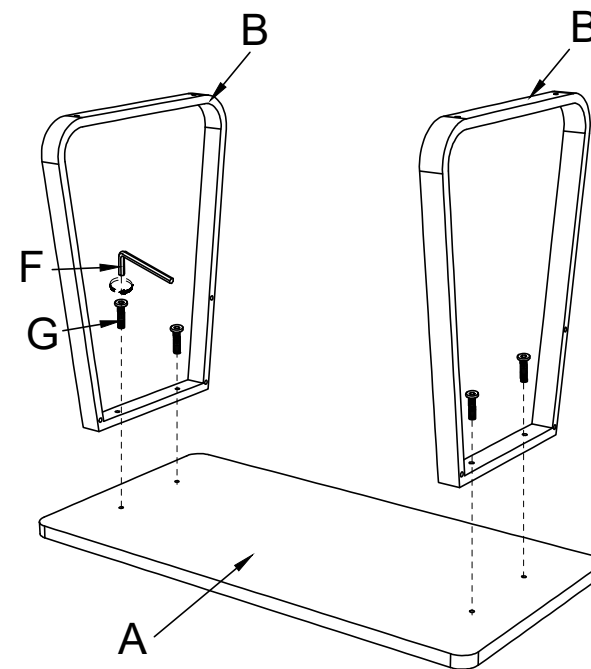


Installation instruction

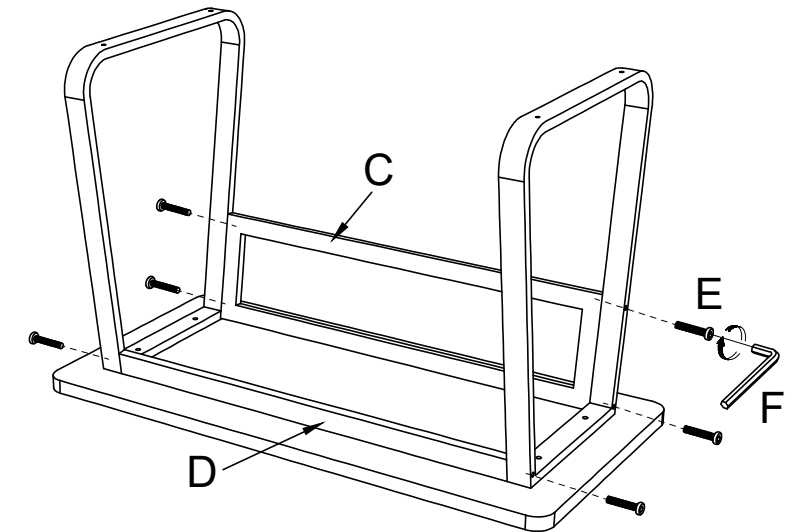
Thank you very much for using it. There is a slight error due to manual measurement. Please understand.

Tips: During the installation process, the screws should be kept loose until all hole positions are confirmed. Then all operation tighten. Thank you for your cooperation.

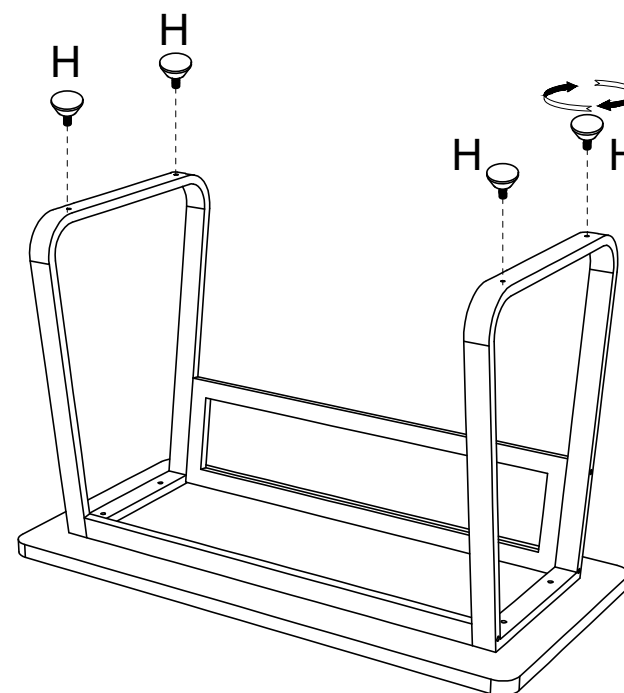
Step1



Step2



Step3



Step4

