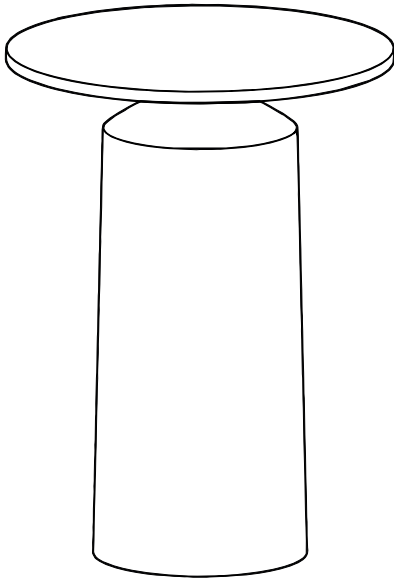

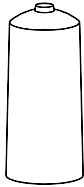


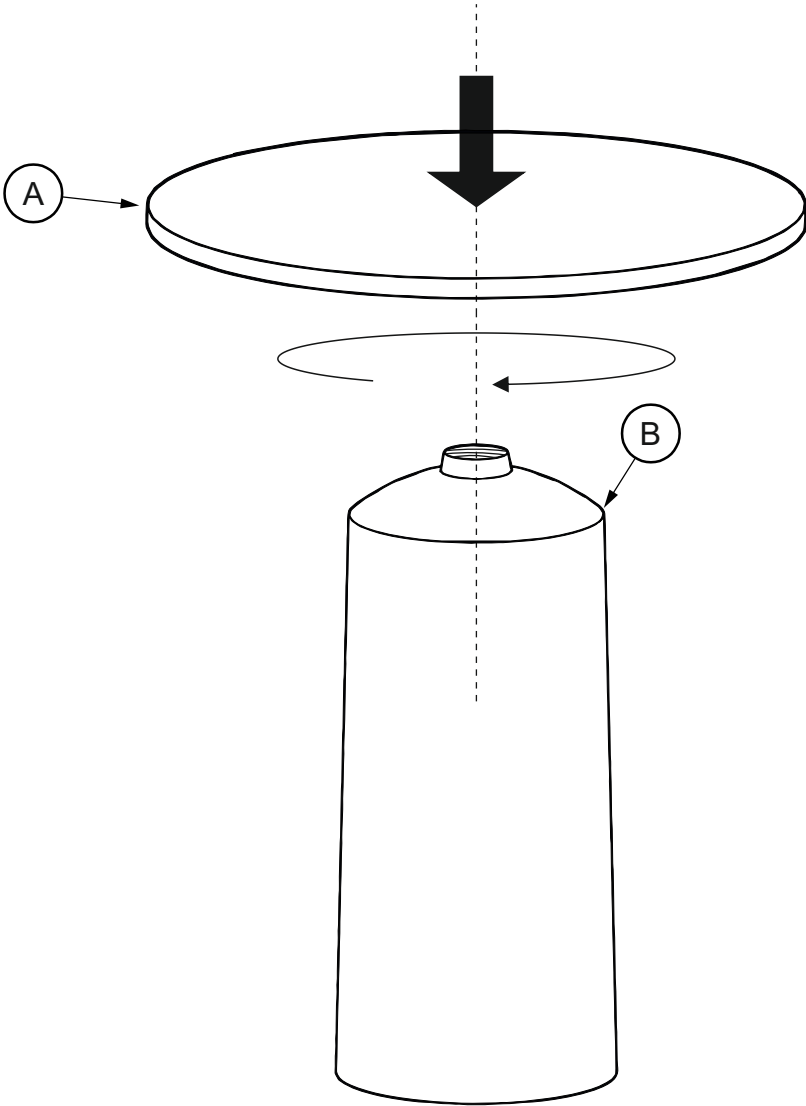
ASSEMBLY INSTRUCTION FOR

NIGHTSTAND



HARDWARE LIST				
A		TOP	Ø508 X 15mm.	1
B		BASE	Ø279 X 635mm	1

Step 1



Step 2

