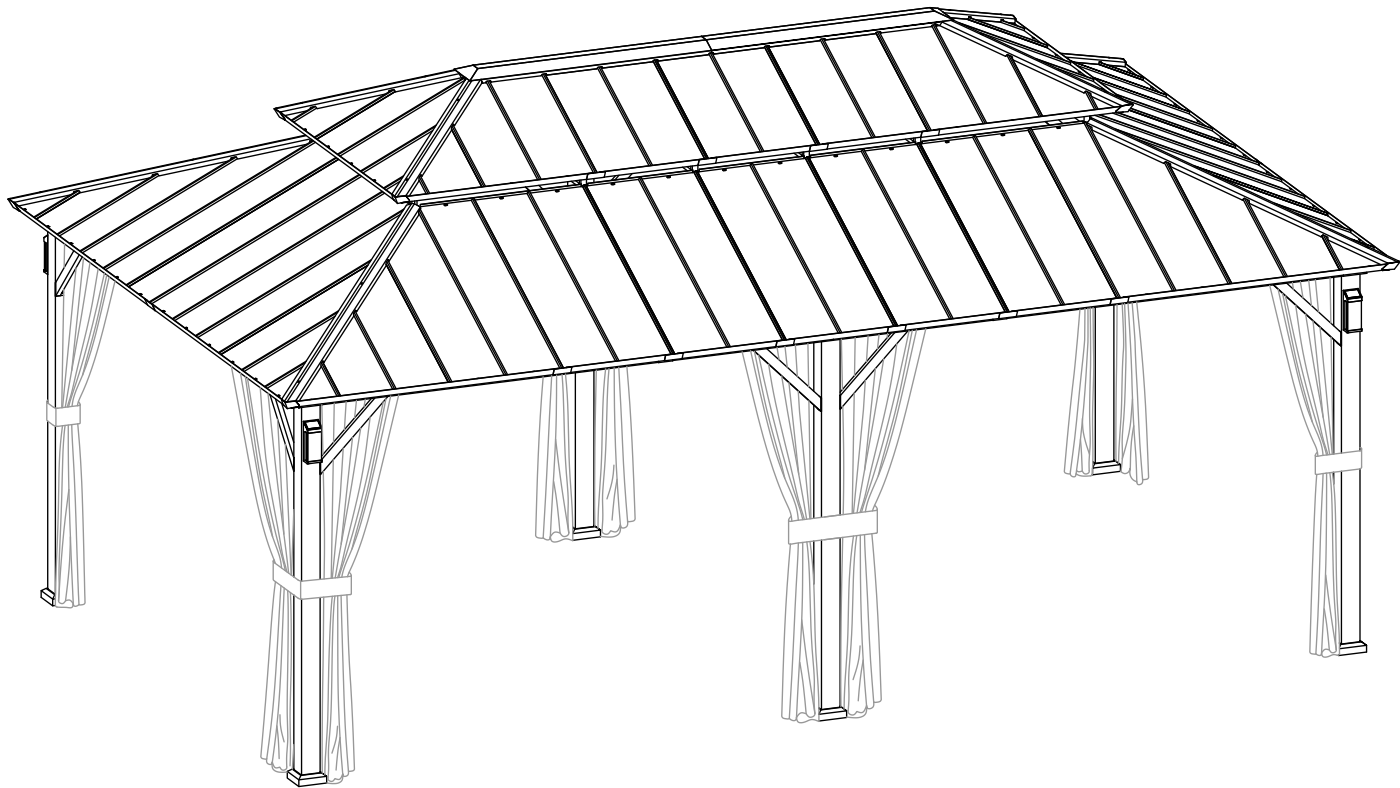


MODEL: IG10600148C-1220-WLY



OWNER'S MANUAL

The Horizon 12'x20' Hard Top Gazebo W/ Solar LED light


TABLE OF CONTENTS


ASSEMBLY GUIDE.....02
USING YOUR PRODUCT.....05

March 19, 2025

QUESTIONS?

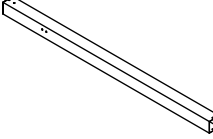
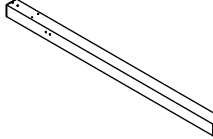
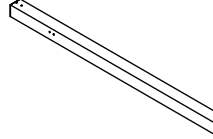
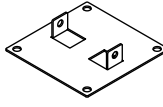
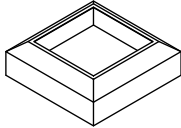
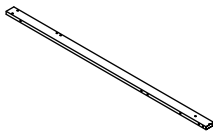
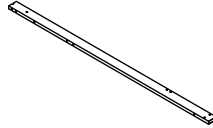
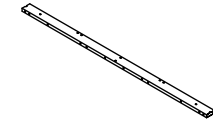
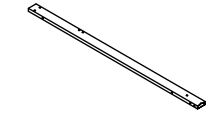
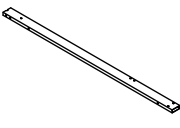

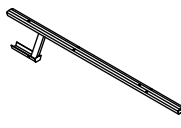
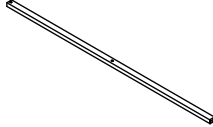
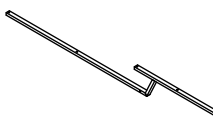
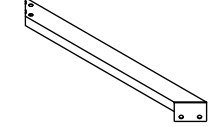
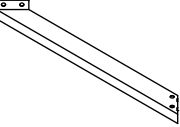
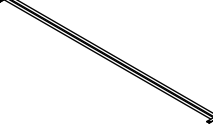
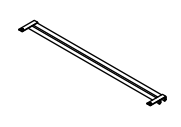
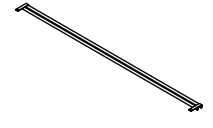
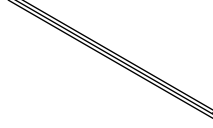
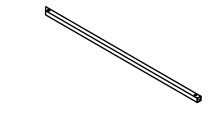


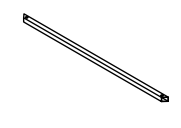
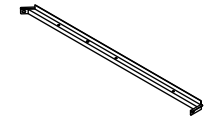
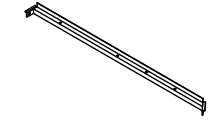

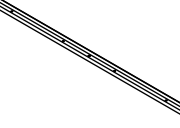

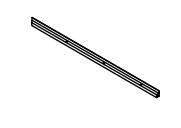
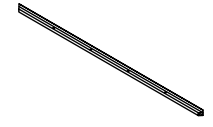
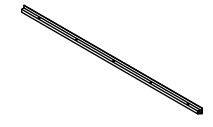
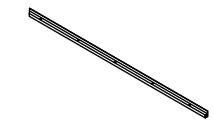
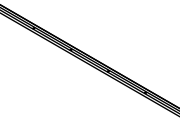
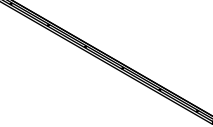
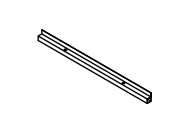
 **E-mail:** support@modernshade.org

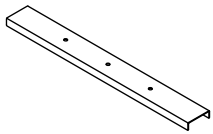
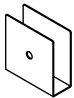
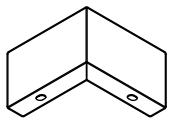
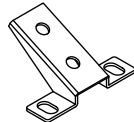
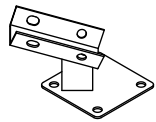
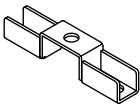
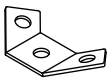
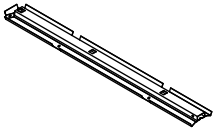
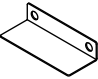
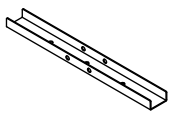

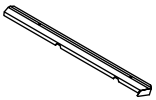
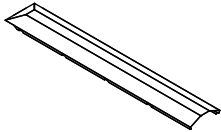
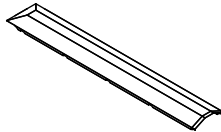
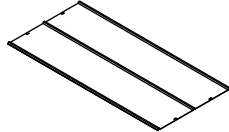
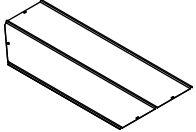
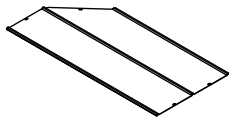
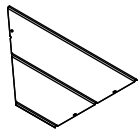
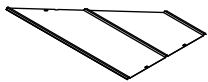
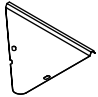

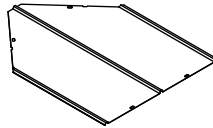
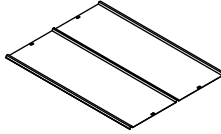
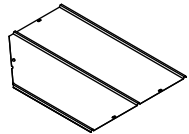
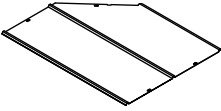
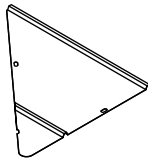
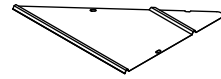
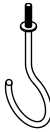
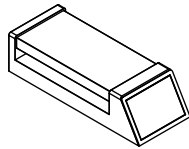
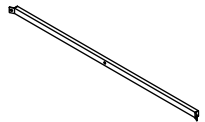
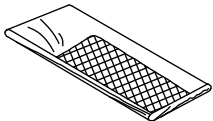
 **Toll Free:** 1-888-666-3070

 **Mon-Fri:** 9am---5pm PST.

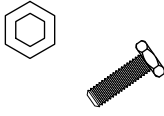
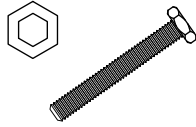
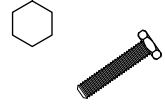
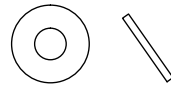
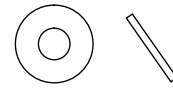
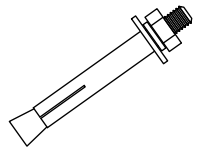
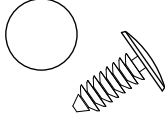
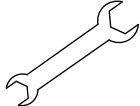
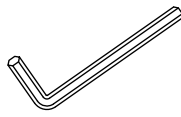
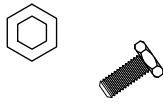
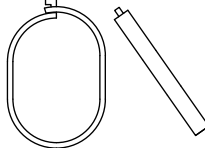
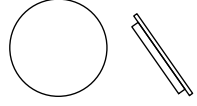
ASSEMBLY GUIDE

PARTS LIST

A1 Post 1 (2 pieces) 	A2 Post 2 (2 pieces) 	A3 Post 3 (2 pieces) 	B Foot Base (6 pieces) 	C Foot Cover (6 pieces) 	D1 Cross Beam 1 (2 pieces) 
P0010000302	P0010000402	P0010000502	P0030000201	P0020000201	P0040000902
D2 Cross Beam 2 (2 pieces) 	D3 Cross Beam 3 (2 pieces) 	D4 Cross Beam 4 (2 pieces) 	D5 Cross Beam 5 (2 pieces) 	E1 Roof Rib 1 (4 pieces) 	E2 Roof Rib 2 (4 pieces) 
P0040001002	P0040001202	P0040001302	P0040001402	P0070000201	P0070000301
F1 Middle Cross Beam 1 (6 pieces) 	F2 Middle Cross Beam 2 (8 pieces) 	G1 Support Bracket 1 (6 pieces) 	G2 Support Bracket 2 (6 pieces) 	H1 Mosquito Net Rod 1 (4 pieces) 	H2 Mosquito Net Rod 2 (4 pieces) 
P0080000101	P0080000301	P0050000102	P0050000202	P0100000201	P0100000301
H3 Mosquito Net Rod 3 (4 pieces) 	J1 Top Beam 1 (4 pieces) 	J2 Top Beam 2 (4 pieces) 	J3 Top Beam 3 (16 pieces) 	J4 Top Beam 4 (4 pieces) 	J5 Top Beam 5 (2 pieces) 
P0100000401	P0090000101	P0090000201	P0090000301	P0090000401	P0090000501
K1 Roof Support 1 (2 pieces) 	K2 Roof Support 2 (2 pieces) 	K3 Roof Support 3 (6 pieces) 	K5 Roof Support 4 (2 pieces) 	K6 Roof Support 5 (2 pieces) 	K7 Roof Support 6 (2 pieces) 
P0090000601	P0090000701	P0090000801	P0090001001	P0090001101	P0090001201
K9 Roof Support 7 (2 pieces) 	K10 Roof Support 8 (2 pieces) 	K11 Roof Support 9 (2 pieces) 	K12 Roof Support 10 (2 pieces) 	K13 Roof Support 11 (2 pieces) 	K14 Roof Support 12 (16 pieces) 
P0090001401	P0090001501	P0090001601	P0090001701	P0090001801	P0090001901

<p>L1 Connector 1 (6 pieces)</p> 	<p>L2 Connector 2 (6 pieces)</p> 	<p>L3 Connector 3 (4 pieces)</p> 	<p>L4 Connector 4 (14 pieces)</p> 	<p>L5 Connector 5 (4 pieces)</p> 	<p>L6 Connector 6 (44 pieces)</p> 
P0060000201	P0110000202	P0110000402	P0060000301	P0060000401	P0060000501
<p>L7 Connector 7 (16 pieces)</p> 	<p>L8 Connector 8 (2 pieces)</p> 	<p>L9 Connector 9 (22 pieces)</p> 	<p>L10 Connector 10 (1 piece)</p> 	<p>M1 Roof Rib Cover 1 (4 pieces)</p> 	<p>M2 Roof Rib Cover 2 (4 pieces)</p> 
P0060000601	P0060001001	P0110000501	P0060001201	P0120000101	P0120000301
<p>M3 Roof Rib Cover 3 (1 piece)</p> 	<p>M4 Roof Rib Cover 4 (1 piece)</p> 	<p>N1 Roof Plate 1 (12 pieces)</p> 	<p>N2 Roof Plate 2 (4 pieces)</p> 	<p>N3 Roof Plate 3 (4 pieces)</p> 	<p>N4 Roof Plate 4 (4 pieces)</p> 
P0120000701	P0120000801	P0130000101	P0130000201	P0130000301	P0130000401
<p>N5 Roof Plate 5 (4 pieces)</p> 	<p>N6 Roof Plate 6 (4 pieces)</p> 	<p>N7 Roof Plate 7 (4 pieces)</p> 	<p>N8 Roof Plate 8 (2 pieces)</p> 	<p>N9 Roof Plate 9 (6 pieces)</p> 	<p>N10 Roof Plate 10 (2 pieces)</p> 
P0130000501	P0130000601	P0130000701	P0130000801	P0130000901	P0130001101
<p>N11 Roof Plate 11 (2 pieces)</p> 	<p>N12 Roof Plate 12 (4 pieces)</p> 	<p>N13 Roof Plate 13 (4 pieces)</p> 	<p>P Hook (1 piece)</p> 	<p>Q Light (4 pieces)</p> 	<p>R Middle Cross Beam Support (4 pieces)</p> 
P0130001201	P0130001301	P0130001401	P1000000100	P1000000200	P0050000401
<p>S Mosquito Netting (1 piece)</p> 					
P0220000601					

HARDWARE

AA Bolt M6*20 (534+28 pieces) 	BB Bolt M6*45 (46+3 pieces) 	CC Bolt M4*20 (8+1 pieces) 	DD M6 Flat washer (612+31 pieces) 	EE M6 Sealant Washer (16+2 pieces) 	FF Concrete Anchor M6*60 (12 pieces) 
H0008008065	H0008008016	H0008008067	H0008008068	H0008008069	H0008008095
GG Plastic Clip (32+5 pieces) 	HH Double Open End Wrench M6/M4 (2 pieces) 	JJ M6 Allen Key (2 pieces) 	KK Bolt M6*15 (32+2 pieces) 	LL Rings (64+3 pieces) 	MM Plastic Clip 2 (4+2 pieces) 
H0008008071	H0008008072	H0008008133	H0008008001	H0008008113	H0008008114

IMPORTANT:

This instruction manual contains important information necessary for the proper assembly and safe use of the product.

Read and follow all warnings and instructions before assembling and using the product.

Follow all warnings and instructions when using the product.

Keep this manual for future reference.

Installer/Assembler: leave these instructions with the consumer.

SAFETY ALERT KEY

DANGER

Indicates a hazardous situation that, if not avoided, will result in death or serious injury.

WARNING

Indicates a hazardous situation that, if not avoided, could result in death or serious injury.

CAUTION

Indicates a hazardous situation that, if not avoided, could result in minor or moderate injury.

NOTICE

Indicates information considered important, but not hazard-related (e.g.messages related to property damage).

ASSEMBLY INSTRUCTIONS

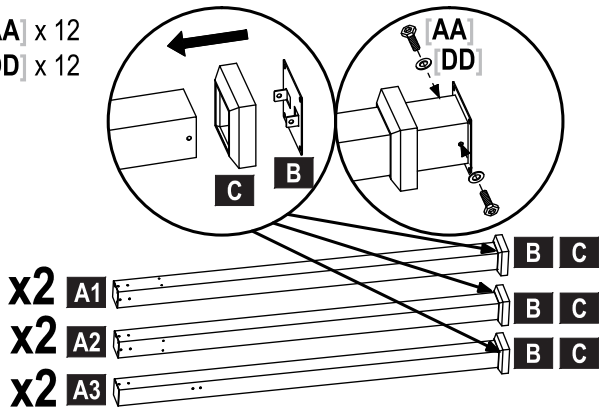
•Please carefully unpack each of the components and hardware. check the components against the parts list and make sure there are no missing parts. lay pieces on cardboard or a soft mat to help protect the pieces from scratches.

⚠ CAUTION

Watch for sharp edges when handling the pieces, wear gloves to avoid injury.

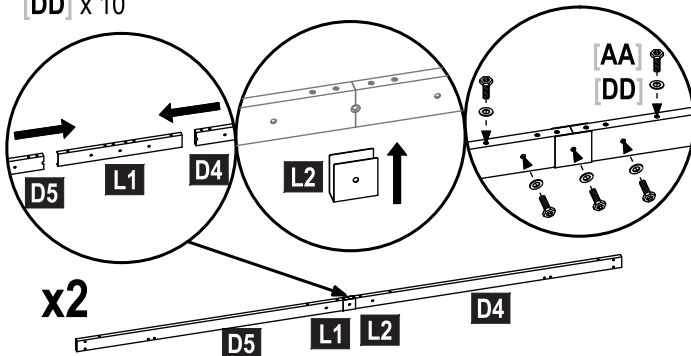
STEP 01 Slide Foot Cover **C** onto Post 1 **A1**. Attach Foot Base **B** using two (2) M6*20 Bolts **AA** and two (2) M6 Flat Washers **DD**. Repeat for the second Post 1 **A1**. Slide Foot Cover **C** onto Post 2 **A2**. Attach Foot Base **B** using two (2) M6*20 Bolts **AA** and two M6 Flat Washers **DD**. Repeat for the second Post 2 **A2**. Slide Foot Cover **C** onto Post 3 **A3**. Attach Foot Base **B** using two (2) M6*20 Bolts **AA** and two M6 Flat Washers **DD**. Repeat for the second Post 3 **A3**.

AA x 12
DD x 12



STEP 03 Slide one (1) Cross Beam 4 **D4** and one (1) Cross Beam 5 **D5** onto the ends of a Connector 1 **L1**. Cover with a Connector 2 **L2** and secure with five (5) M6*20 Bolts **AA** and five (5) M6 Flat Washers **DD**. Repeat to create a second assembly.

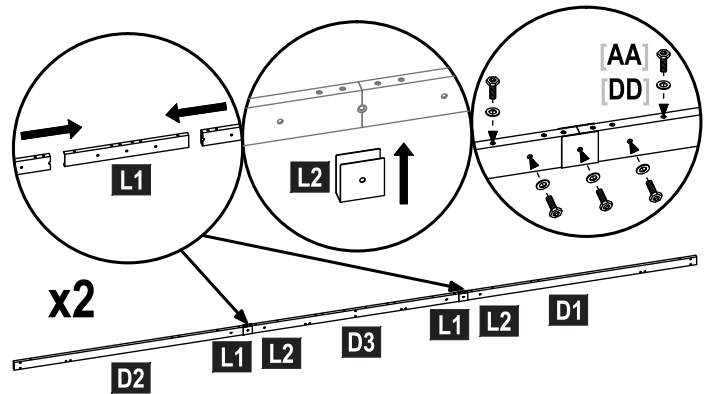
AA x 10
DD x 10



- For ease of assembly, it is recommended to have 3 or more people and allow enough time to completely finish the assembly. assembly can take 6-8 hours. a step-ladder is required for assembly (not included).
- Follow step by step instructions, and follow all safety warnings provided with your tools.
- DO NOT tighten screws until all the screws and washers are properly installed. Tighten screws securely, do not over tighten.
- Gazebo should not be used in inclement weather and high winds.

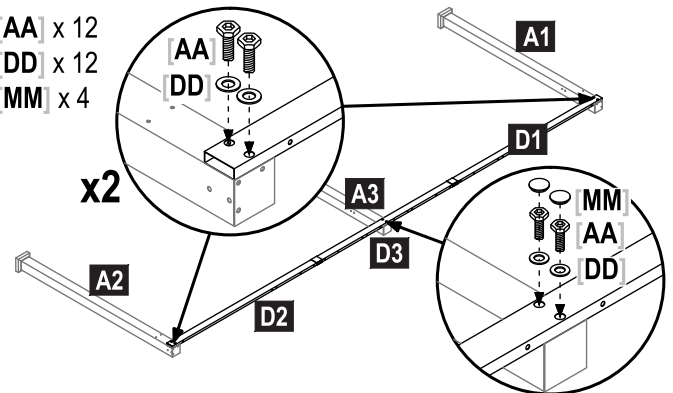
STEP 02 Place one (1) Connector 1 **L1** on each side of Cross Beam 3 **D3**, then slide Cross Beam 1 **D1** and Cross Beam 2 **D2** onto the ends of the Connector 1s **L1**. Slide one (1) Connector 2 **L2** over each connection. Connect together using five (5) M6*20 Bolts **AA** and five (5) M6 Flat Washers **DD**. Repeat to create a second assembly.

AA x 20
DD x 20



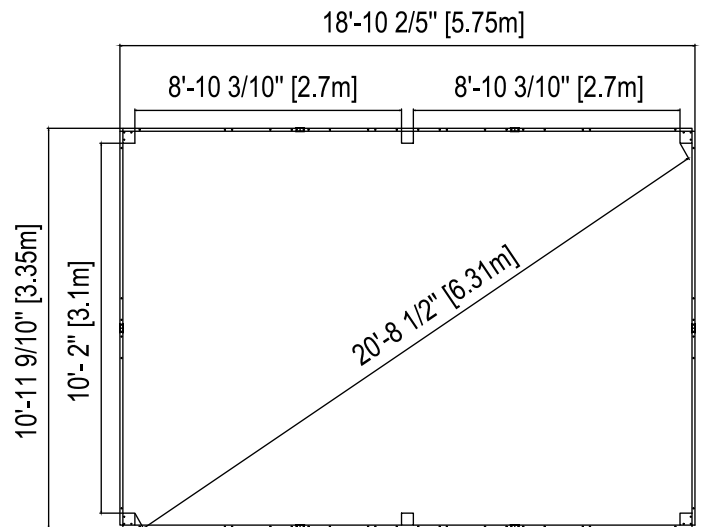
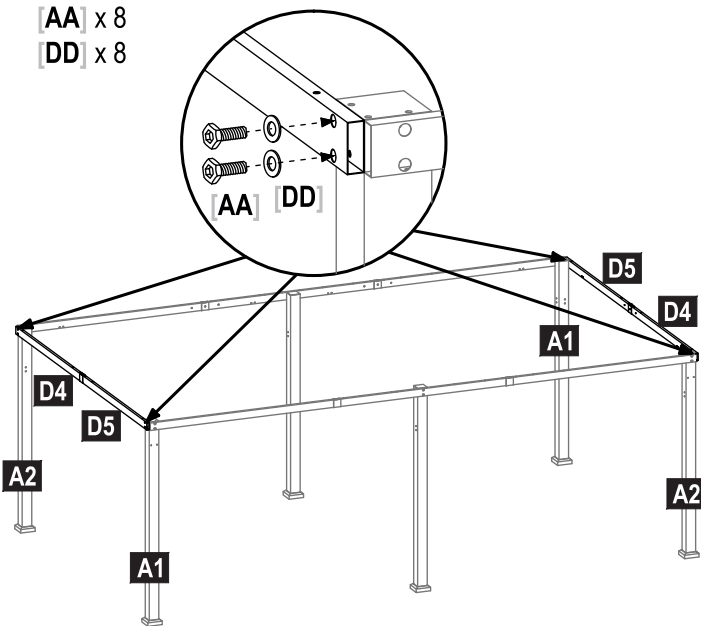
STEP 04 Connect the assembly from Step 2 to Post 1 **A1** and Post 2 **A2** at the ends, and Post 3 **A3** in the center using two (2) M6*20 Bolts **AA** and two (2) M6 Flat Washers **DD** each. Add two (2) Plastic Clip 2 **MM** to the bolts connecting the assembly to Post 3 **A3**. Repeat to make another side assembly.

AA x 12
DD x 12
MM x 4



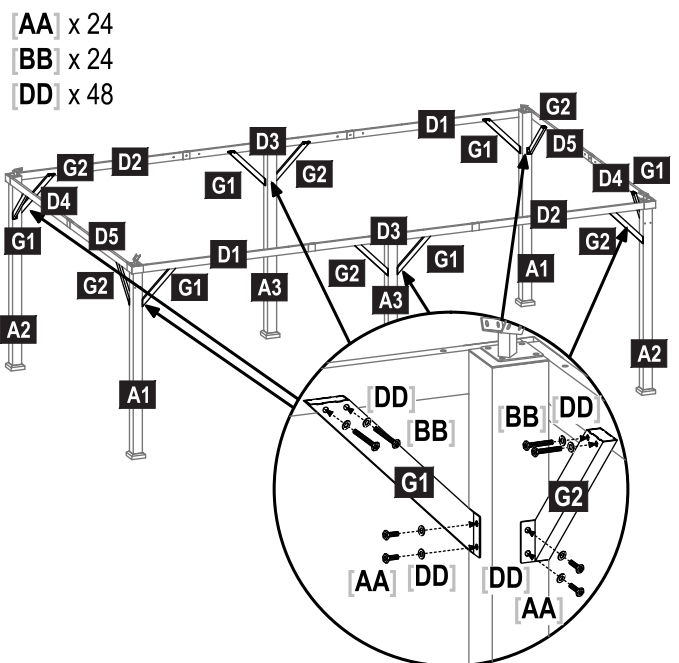
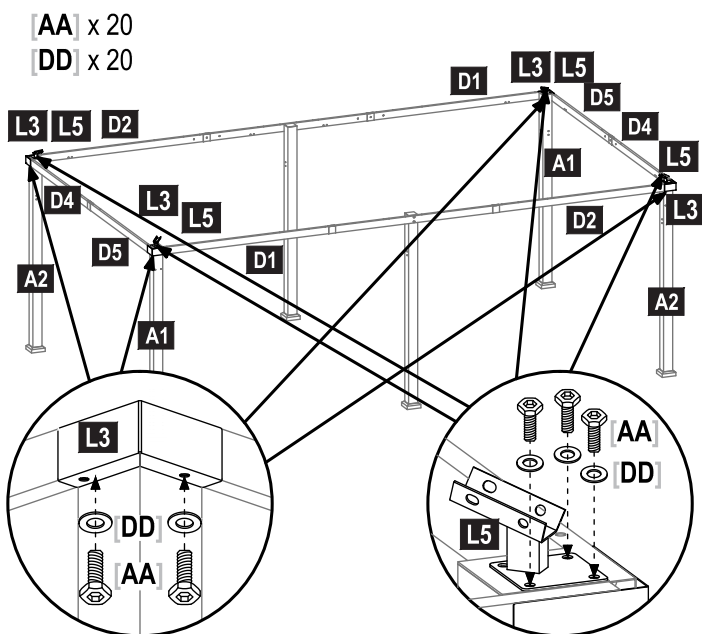
STEP 05 Stand up both side assemblies from Step 4 and connect them together with the cross beams from Step 3 using two (2) M6*20 Bolts [AA] and two (2) M6 Flat Washers [DD] each.

STEP 06 CRITICAL: SQUARE UNIT BEFORE PROCEEDING TO NEXT STEPS. ONCE SQUARE, TIGHTEN ALL HARDWARE.

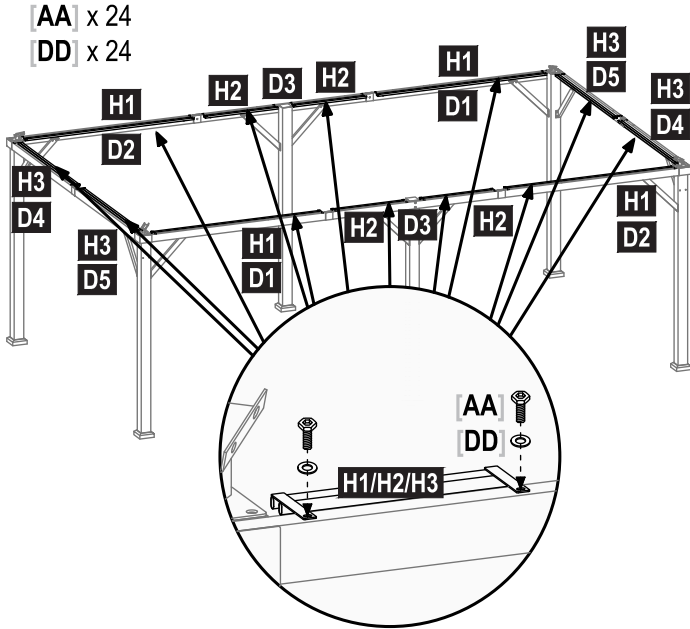


STEP 07 Inside each corner, add a Connector 3 [L3] using two (2) M6*20 Bolts [AA] and two (2) M6 Flat Washers [DD] each. On top of each corner, add a Connector 5 [L5] using three (3) M6*20 Bolts [AA] and three (3) M6 Flat Washers [DD] each.

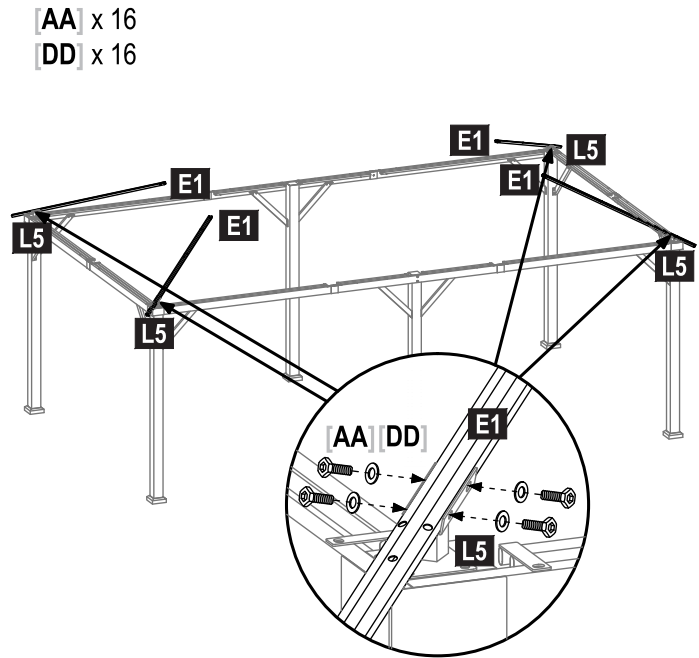
STEP 08 On each corner post, attach one (1) Support Bracket [G2] on the left and one (1) Support Bracket [G1] on the right. Use two (2) M6*20 Bolts [AA] and two M6 Flat Washers [DD] on the bottom and two (2) M6*45 Bolts [BB] and two M6 Flat Washers [DD] on the top.



STEP 09 Attach two Mosquito Net Rods 3 **H3** on each short side of the gazebo. On the long side, connect one (1) Mosquito Net Rod 1 **H1**, one (1) Mosquito Net Rod 2 **H2**, one (1) Mosquito Net Rod 2 **H2**, and then one (1) Mosquito Net Rod 1 **H1** using two (2) M6*20 Bolts **AA** and two (2) M6 Flat Washers **DD** each.

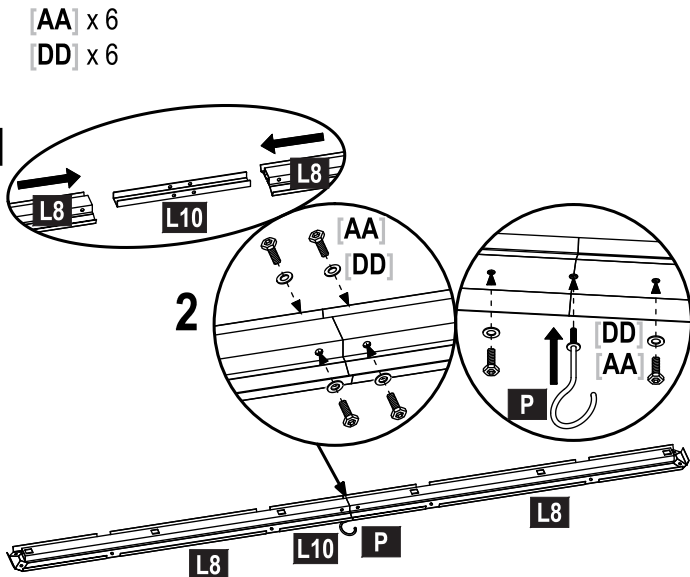


STEP 10 At each corner, attach one (1) Roof Rib **E** using four (4) M6*20 Bolts **AA** and four (4) M6 Flat Washers **DD**.

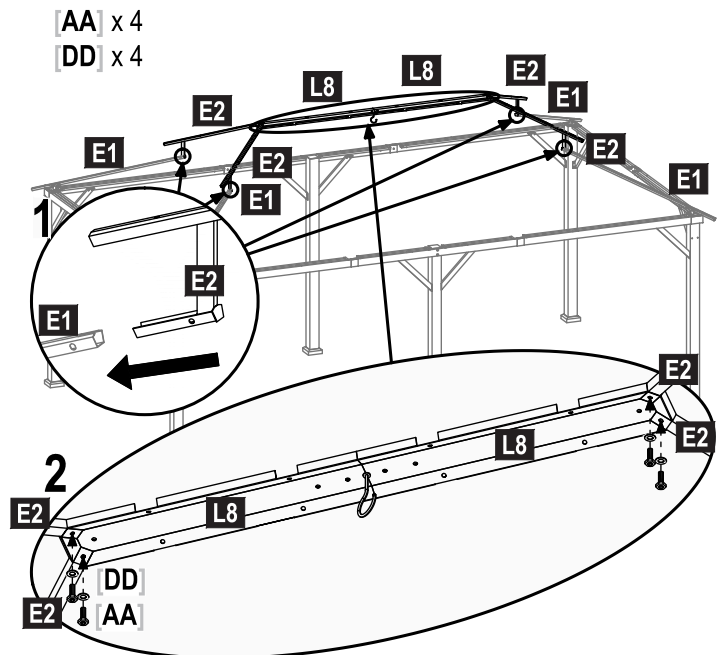


STEP 11 Slide one (1) Connector 8 **L8** onto each end of one (1) Connector 10 **L10** and secure with four (4) M6*20 Bolts **AA** and four (4) M6 Flat Washers **DD**.

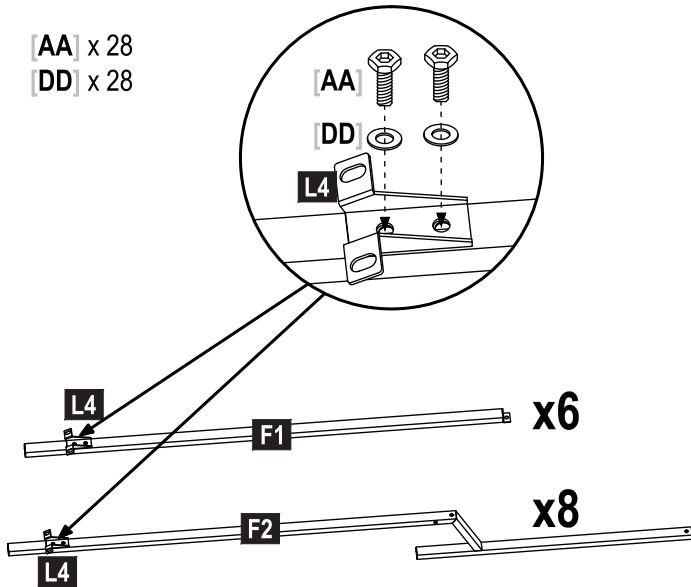
Attach the Hook **P** to the underside of the assembly along with one (1) M6*20 Bolts **AA** and one (1) M6 Flat Washers **DD** on each side.



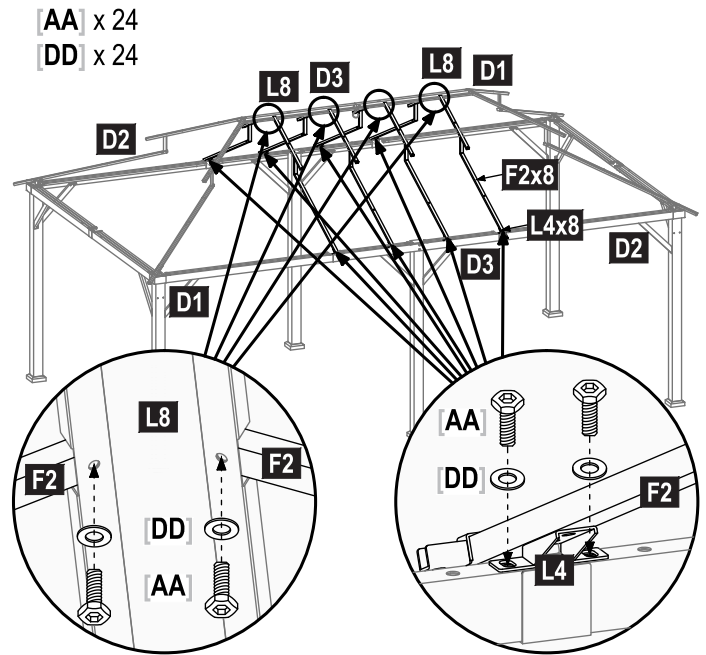
STEP 12 Attach four (4) Roof Rib 2 **E2** to the corners of the assembly from Step 10, then attach them to the Roof Support **E1** on the gazebo using two (2) M6*20 Bolts **AA** and two (2) M6 Flat Washers **DD** on each side.



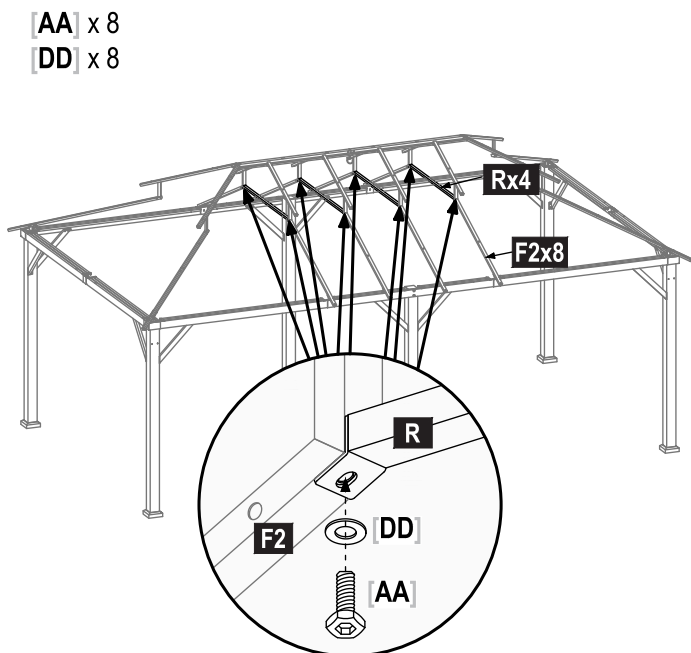
STEP 13 Attach one (1) Connector 4 **L4** to one (1) Middle Cross Beam 1 **F1** using two (2) M6*20 Bolts **AA** and two (2) M6 Flat Washers **DD** each. Repeat to make six (6) assemblies. Attach one (1) Connector 4 **L4** to one (1) Middle Cross Beam 2 **F2** using two (2) M6*20 Bolts **AA** and two (2) M6 Flat Washers **DD** each. Repeat to make eight (8) assemblies.



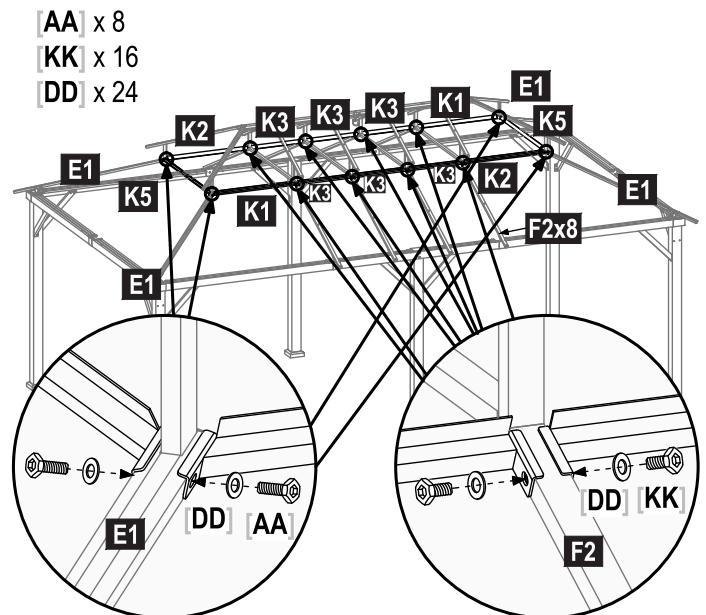
STEP 14 Attach eight (8) Middle Cross Beam 2 **F2** to the sides of the gazebo using one (1) M6*20 Bolts **AA** and one (1) M6 Flat Washers **DD** at the top and two (2) M6*20 Bolts **AA** and two (2) M6 Flat Washers **DD** at the bottom of each assembly.



STEP 15 Between each pair of Middle Cross Beam 2 **F2**, attach one (1) Middle Cross Beam Support **R** using two (2) M6*20 Bolts **AA** and two (2) M6 Flat Washers **DD** each.



STEP 16 On the short side of the gazebo, attach one (1) Roof Support **K5** between the Roof Rib 1 **E1**. On the long side of the gazebo, attach one (1) Roof Support 1 **K1** on the left, three (3) Roof Support 3 **K3** between the cross beams using two (2) M6*15 Bolts **KK** and two (2) M6 Flat Washers **DD**, and one (1) Roof Support 2 **K2** on the right.

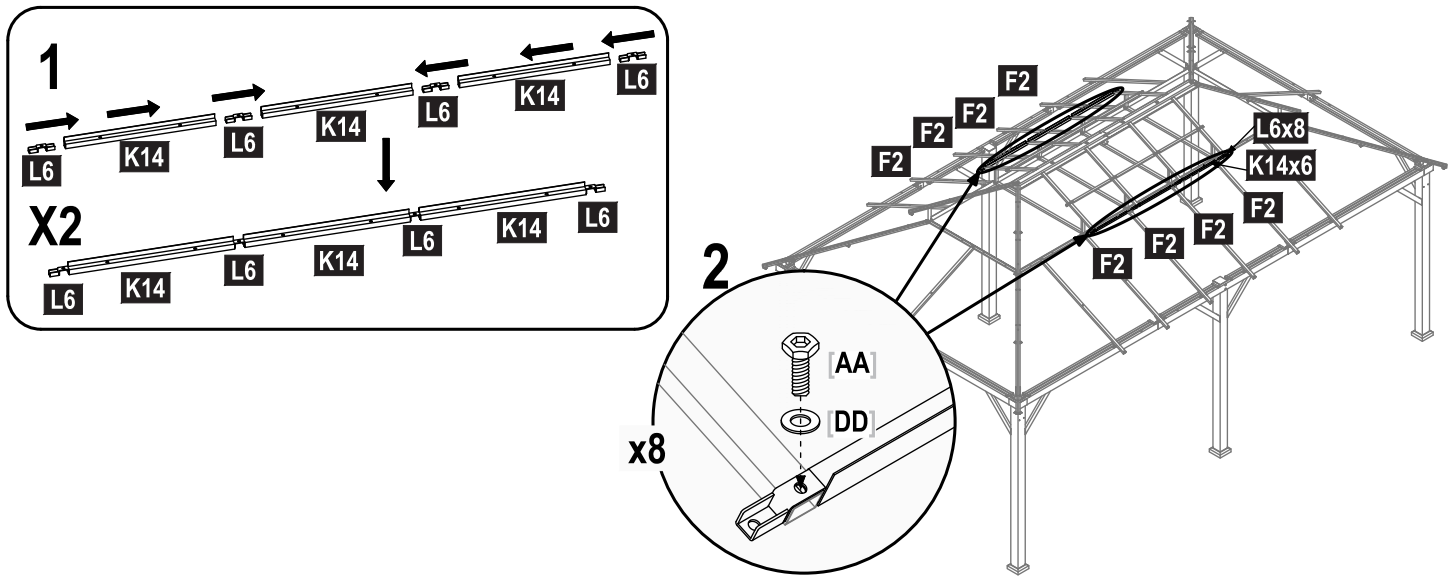


STEP 20 Attach three (3) Roof Support 12 **K14** using four (4) Connector 6 **L6**. Add one (1) Connector 6 **L6** to the ends of the assembly. Repeat to create a second assembly.

Attach the assemblies on the long sides of the gazebos using one (1) M6*20 Bolt **AA** and one (1) M6 Flat Washer **DD**.

AA x 8

DD x 8

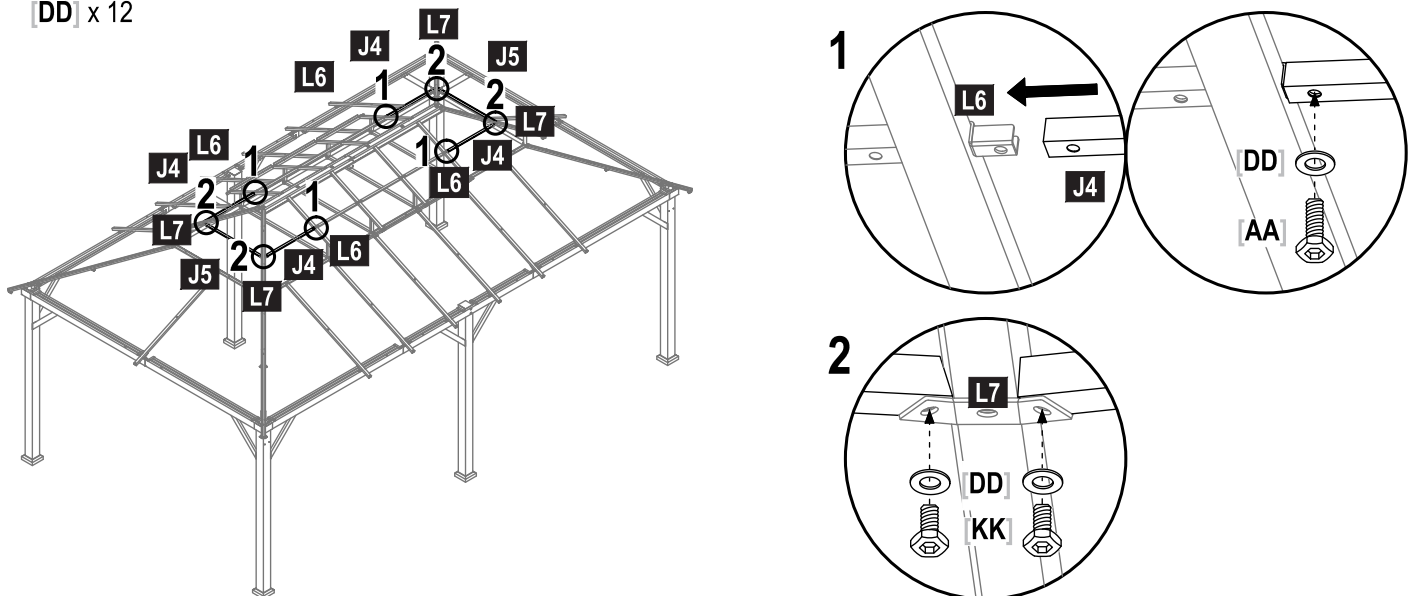


STEP 21 use two (2) **KK** bolts and two (2) **DD** flat washers to attach one (1) top beam **J5** to the short side of the gazebo. Repeat with the other **J5**. Slide top beam **J4** to connector **L6**, securing with one (1) **AA** bolt and one (1) **DD** flat washer. Use one (1) **KK** bolt and one (1) **DD** flat washer to attach one (1) **J4** to connector **L7**. Repeat with the other three (3) **J4**.

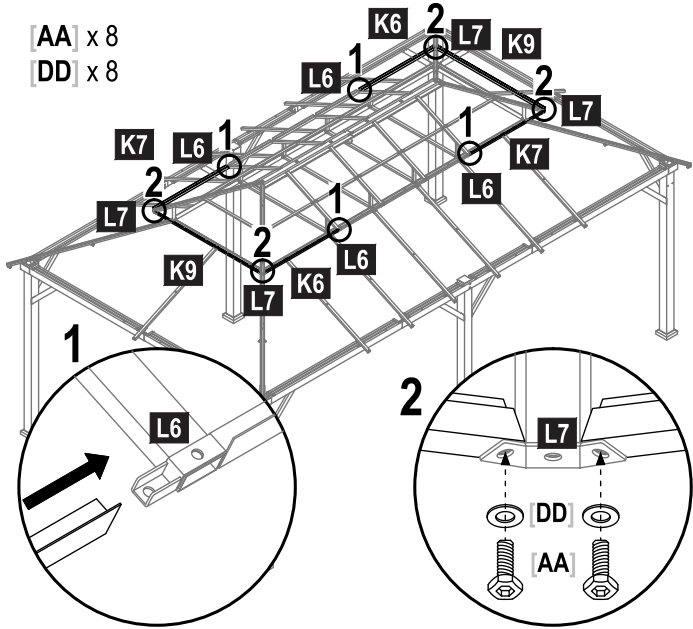
AA x 4

KK x 8

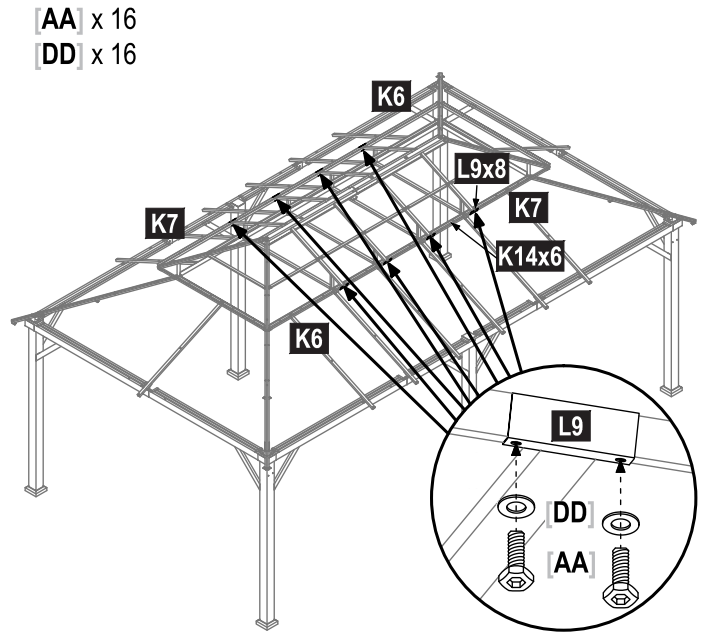
DD x 12



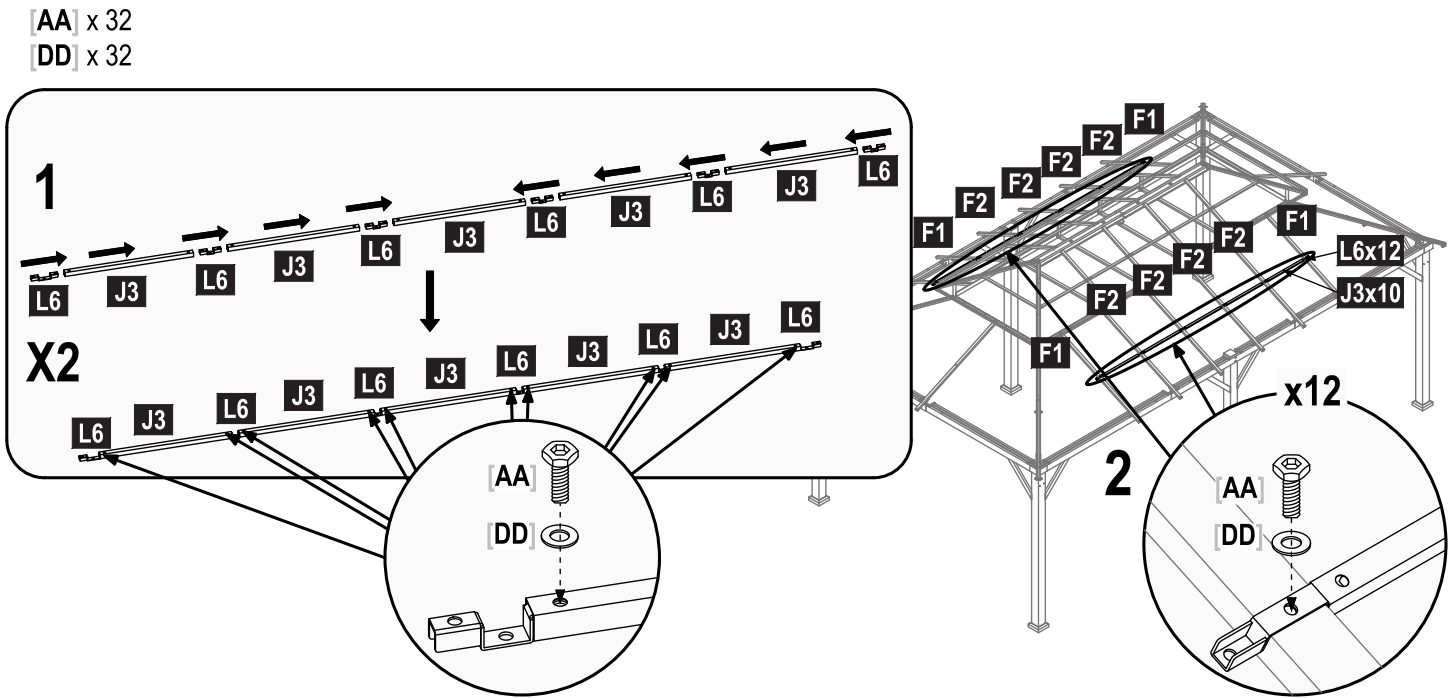
STEP 22 Attach a Roof Support 7 **K9** on the short side of the gazebo. Attach two (2) Roof Support 5 **K6** and two (2) Roof Support 6 **K7** to the long side of the gazebo at the corners. Use one (1) M6*20 Bolt **AA** and one (1) M6 Flat Washer **DD** per hole



STEP 23 Add eight (8) Connector 9 **L9** to the four (4) connections along the side of the gazebo using two (2) M6*20 Bolts **AA** and two (2) M6 Flat Washers **DD** each.

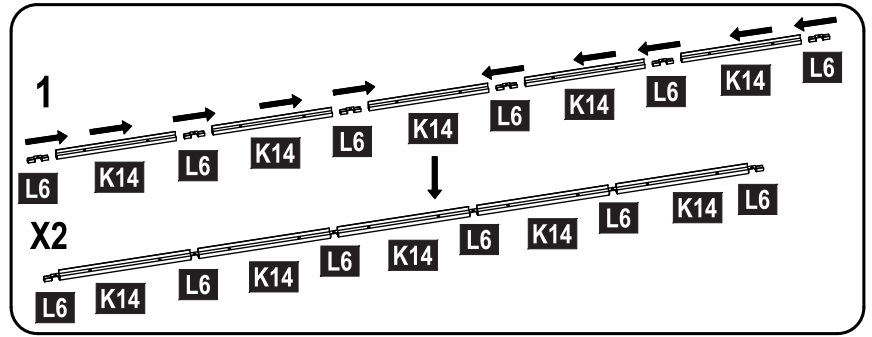


STEP 24 Insert one (1) Connector 6 **L6** into the left end of a Top Beam 3 **J3**. Repeat to make five sets. Combine all five sets together using one (1) M6*20 Bolt **AA** and one (1) M6 Flat Washer **DD** per hole. Add one (1) Connector 6 **L6** to the open end of the assembly. Repeat to create a second assembly. Attach the new assembly to the middle of the Middle Cross Beam **F1** and Middle Cross Beam **F2** using one (1) M6*20 Bolt **AA** and one (1) M6 Flat Washer **DD** per hole.



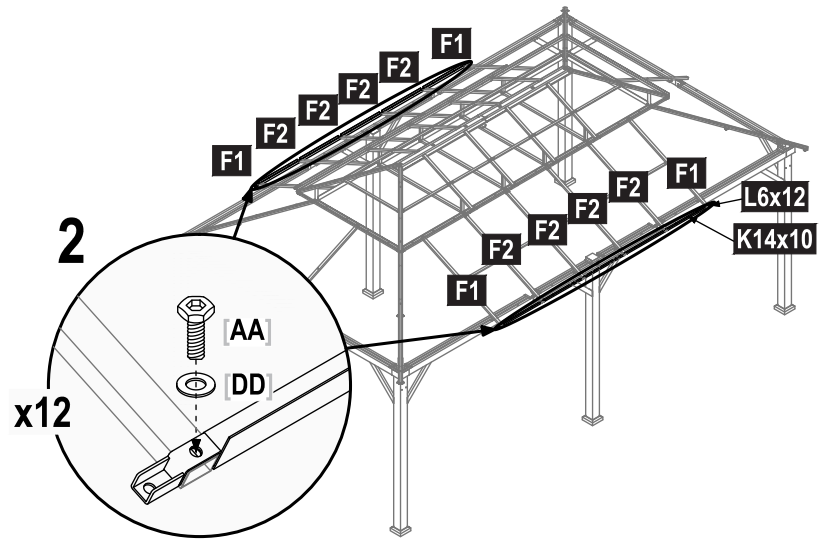
STEP 25 Insert one (1) Connector 6 **L6** into the left end of a Roof Support 12 **K14**. Repeat to make five sets. Combine all five sets together using one (1) M6*20 Bolt **AA** and one (1) M6 Flat Washer **DD**. Add one (1) Connector 6 **L6** to the open end of the assembly. Repeat to create a second assembly.

Attach the new assembly to the bottom of the Middle Cross Beam **F1** and Middle Cross Beam **F2** using one (1) M6*20 Bolt **AA** and one (1) M6 Flat Washer **DD**.



AA x 12

DD x 12

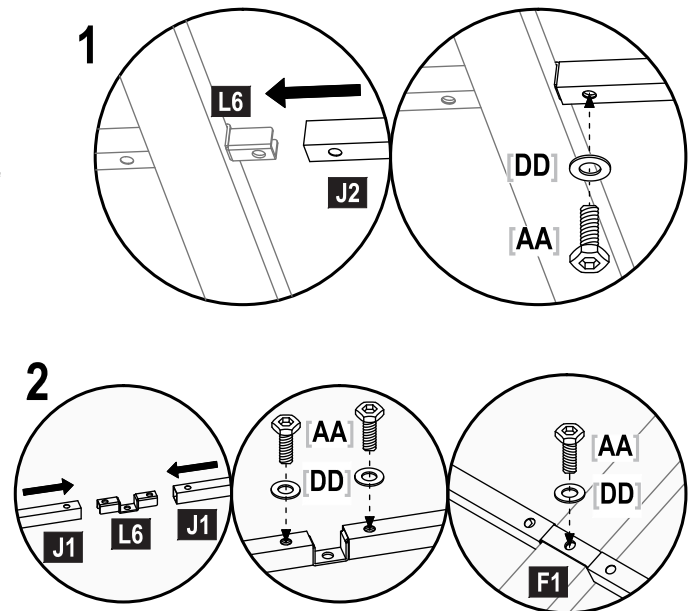
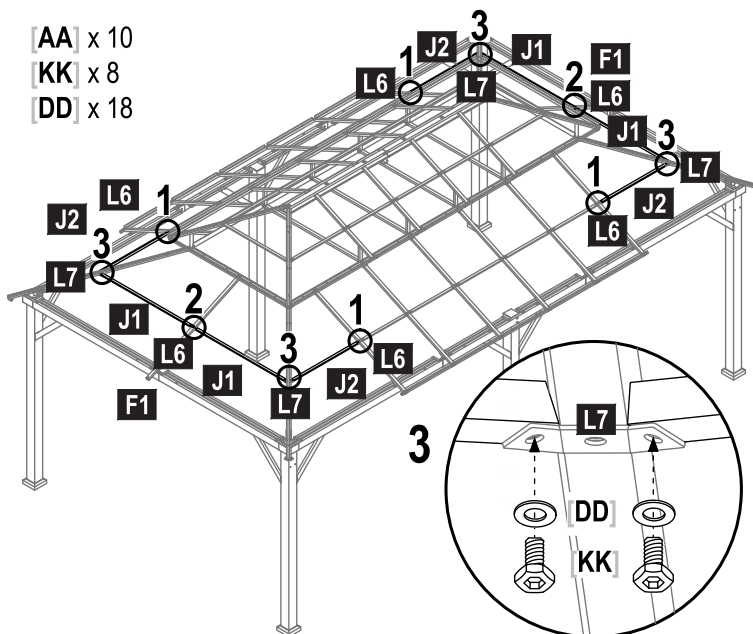


STEP 26 Slide top beam **J2** to connector **L6**, securing with one (1) **AA** bolt and one (1) **DD** flat washer. Use one (1) **KK** bolt and one (1) **DD** flat washer to attach one (1) **J2** to connector **L7**. Repeat with the other three (3) **J2**. Slide two (2) **J1** onto connector **L6**, securing with two (2) **AA** bolts and two (2) **DD** flat washers. Use one (1) **AA** bolt and one (1) **DD** flat washer to attach this assembly to **F1**. Use two (2) **KK** bolts and two (2) **DD** flat washers to attach one (1) top beam assembly **J1** to the short side of the gazebo. Repeat with the other two (2) **J1**.

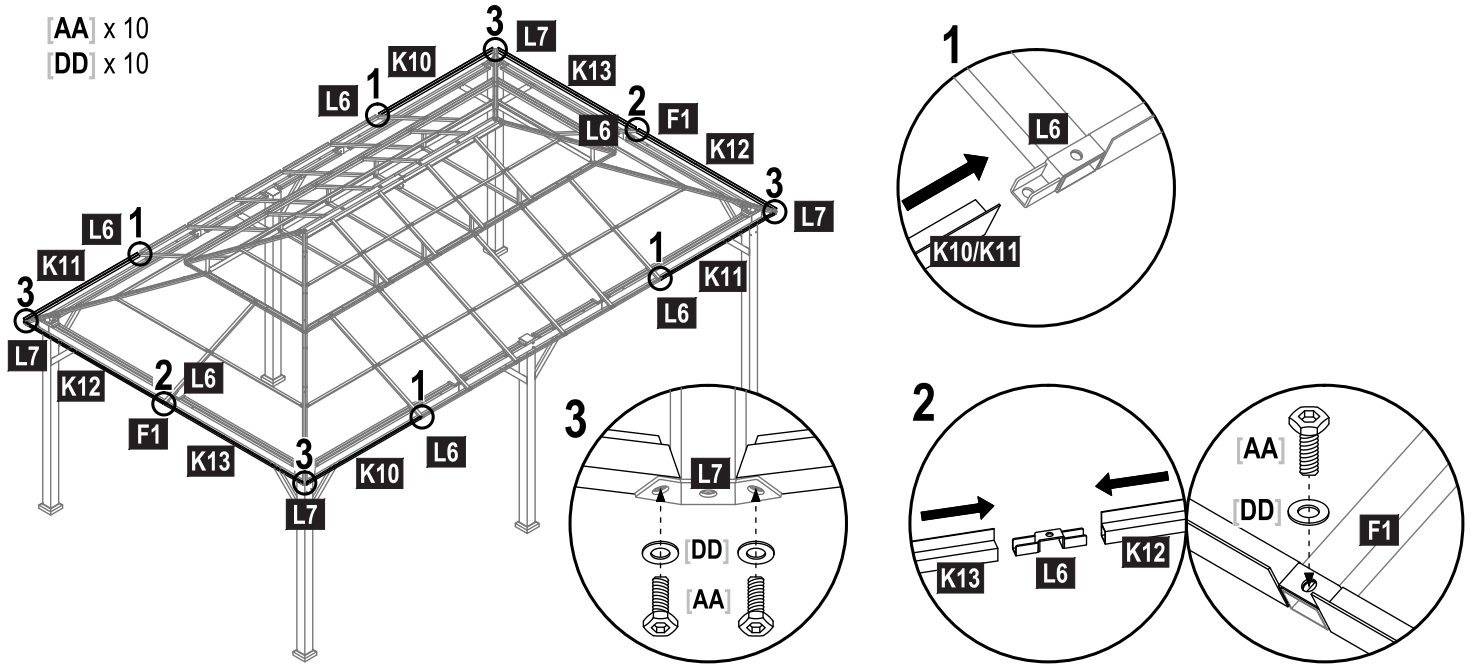
AA x 10

KK x 8

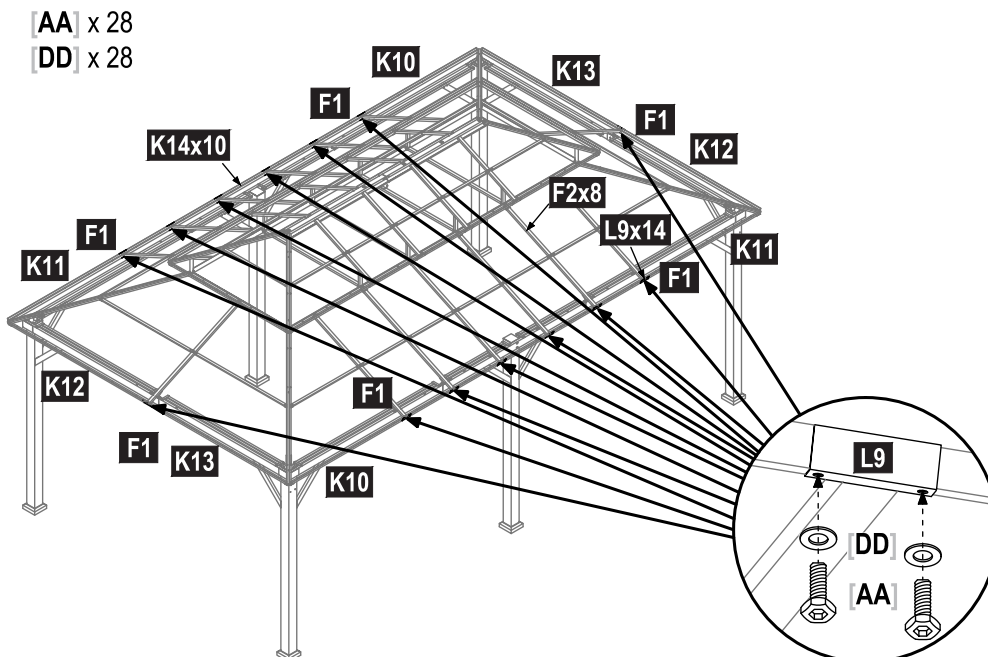
DD x 18



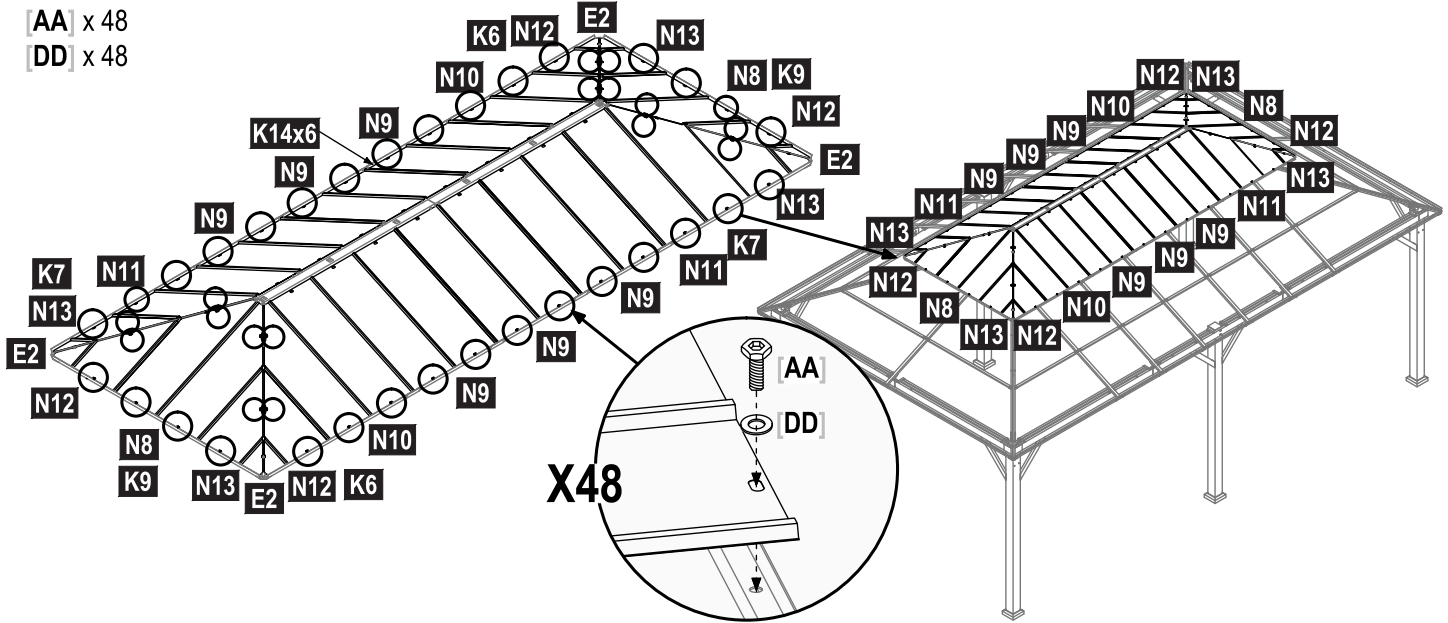
STEP 27 Complete the bottom row by attaching one (1) Roof Support 8 **K10** and one (1) Roof Support 9 **K11** on the long sides of the gazebo using two (2) M6*20 Bolts **AA** and two (2) M6 Flat Washers **DD**. Insert one (1) Roof Support 10 **K12** and one (1) Roof Support 11 **K13** to a Connector 6 **L6**. Use one (1) M6*20 Bolt **AA** and one (1) M6 Flat Washer **DD** to attach Connector 6 **L6** to Middle Cross Beam 1 **F1**.



STEP 28 Cover all connections along the bottom row of the long side of the gazebo with Connector 9 **L9**. Secure them using two (2) M6*20 Bolts **AA** and two (2) M6 Flat Washers **DD**.

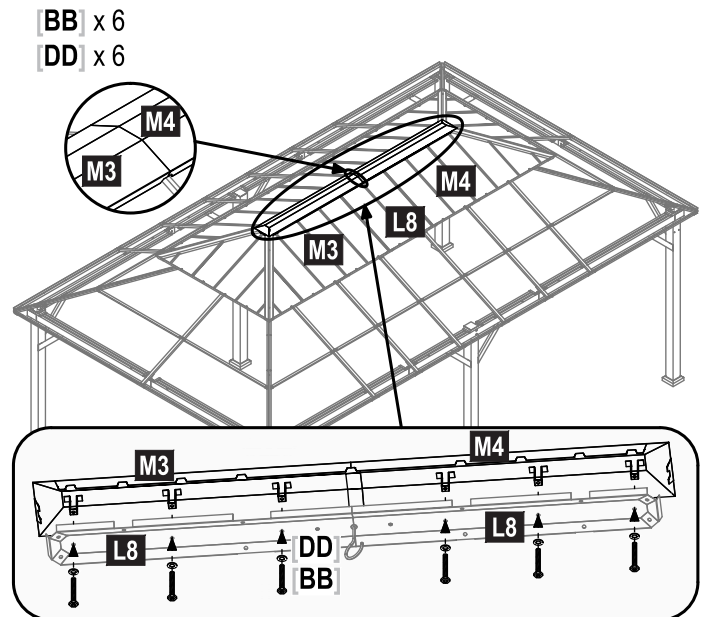
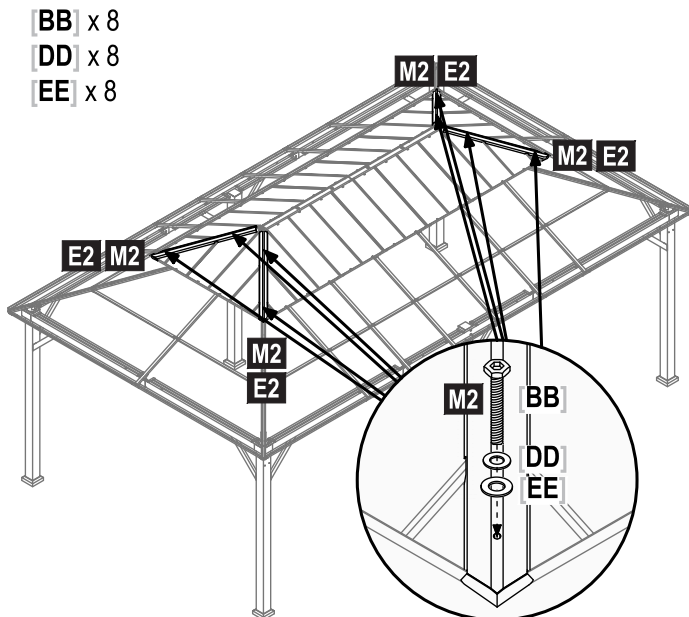


STEP 29 Fill in the Roof Plates by connecting them in this order starting on the short side of the gazebo: **N12**, **N8**, **N13**, **N12**, **N10**, **N9**, **N9**, **N9**, **N11**, and **N13**. Attach the panel assembly on top of the gazebo. Use one (1) M6*20 Bolt **AA** and one (1) M6 Flat Washers **DD** per hole.

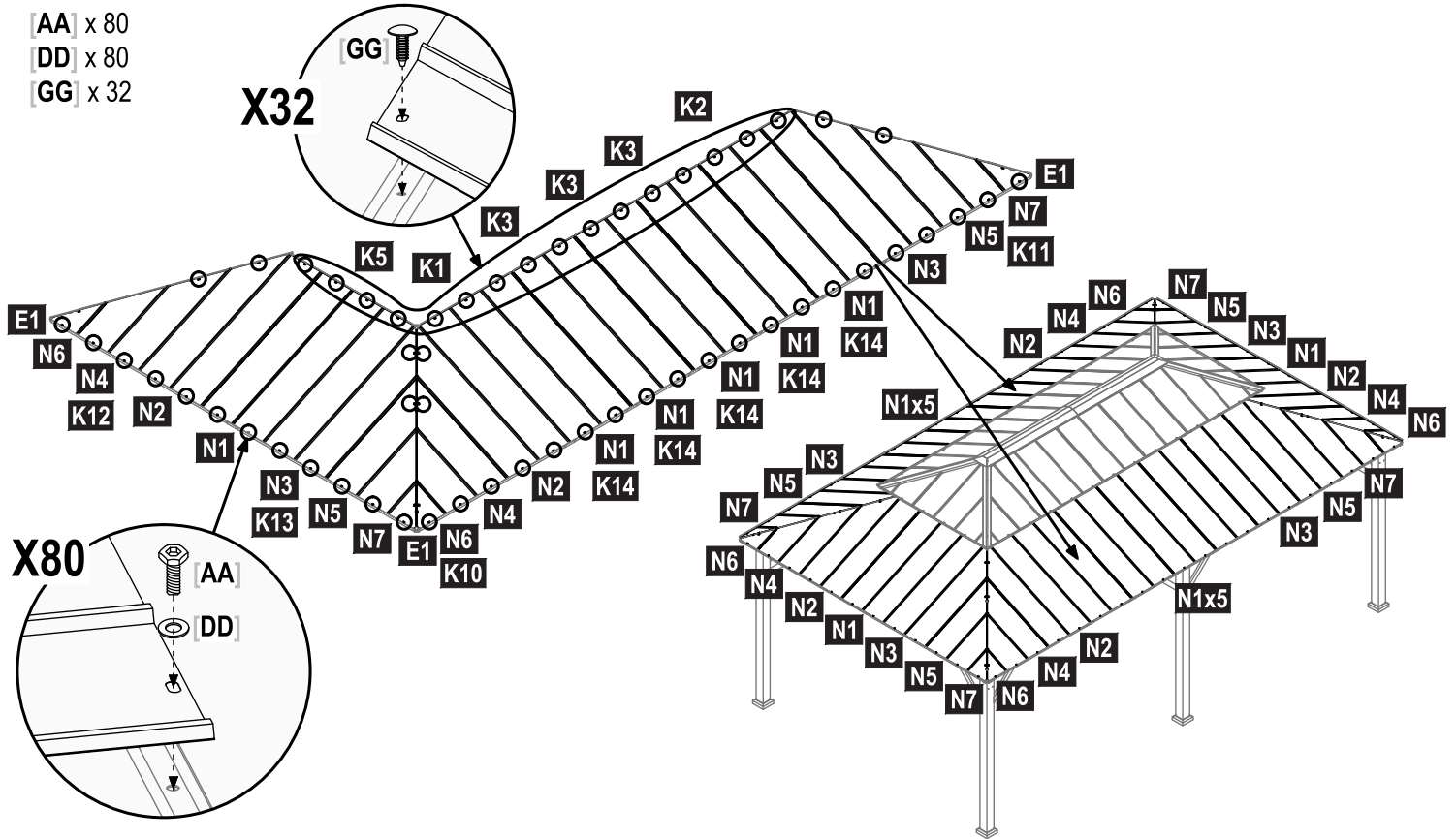


STEP 30 Cover the corners of the top plate using four (4) Roof Rib 2 with two (2) M6*45 Bolts **BB**, two (2) M6 Flat Washers **DD**, and two (2) M6 Sealant Washers **EE**.

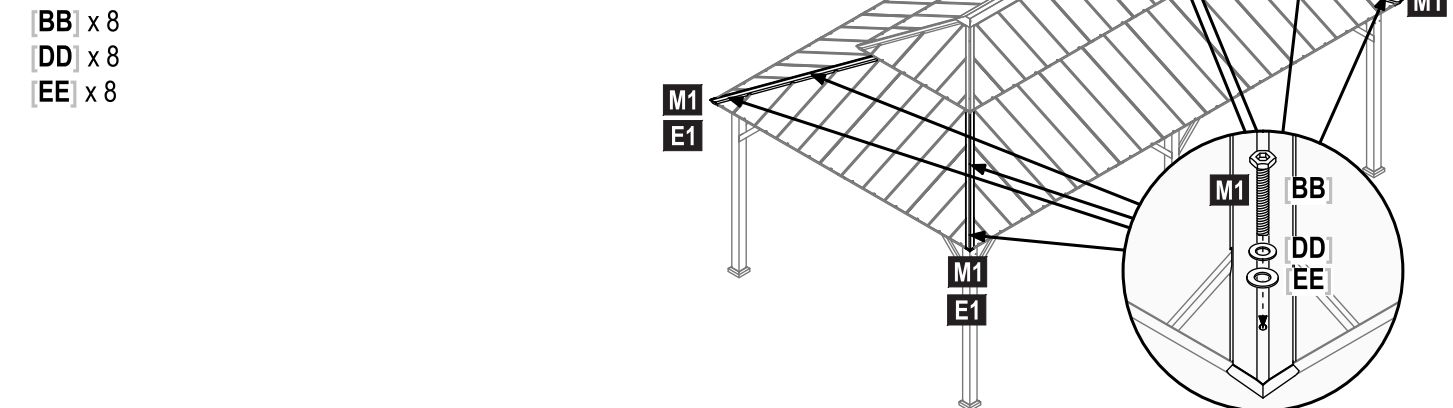
STEP 31 Attach one (1) Roof Rib Cover 3 **M3** and one (1) Roof Rib Cover 4 **M4** using six (6) M6*45 Bolts **BB**, six (6) M6 Flat Washers **DD**.



STEP 32 Create the lower part of the roof assembly by attaching Roof Plates in this order starting from the short side of the gazebo: **N6**, **N4**, **N2**, **N1**, **N3**, **N5**, **N7**, **N6**, **N4**, **N2**, **N1**, **N1**, **N1**, **N1**, **N1**, **N3**, **N5**, and **N7**. Use Plastic Clips **GG** to secure panels along the top. Use M6*20 Bolts **AA** and M6 Flat Washers **DD** along the bottom of the Roof Plates.

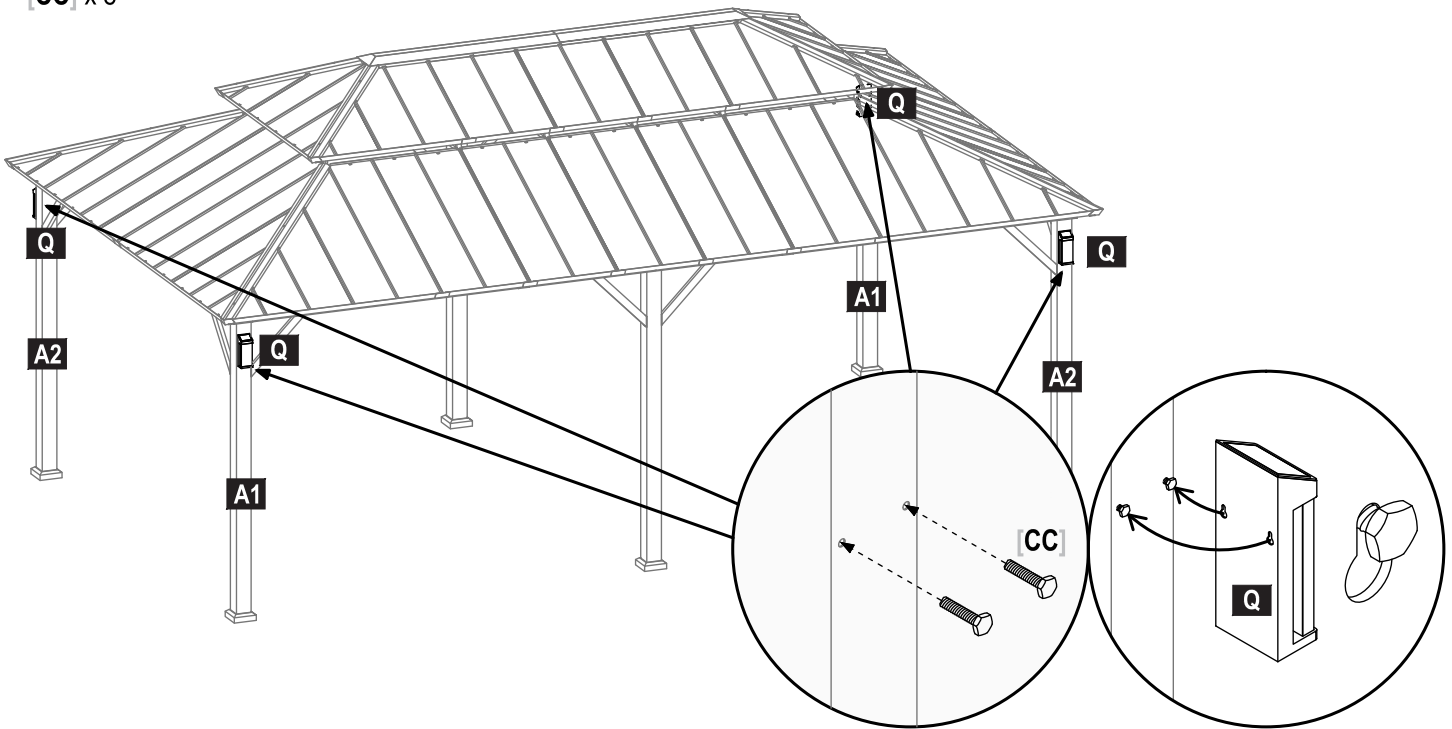


STEP 33 Cover corners of the lower Roof Plates using the four (4) Roof Rib Covers **M1** using two (2) M6*45 Bolts **BB**, two (2) M6 Flat Washers **DD**, and two (2) M6 Sealant Washers **EE**.



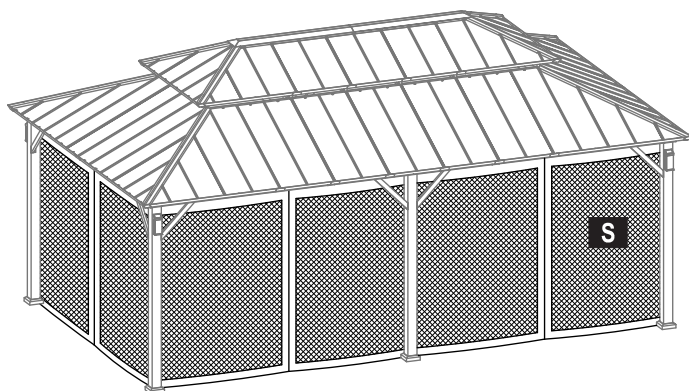
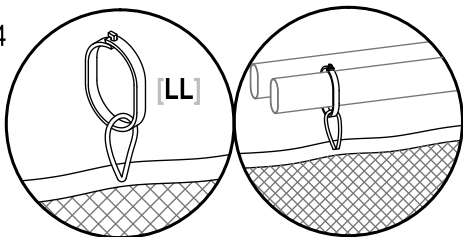
STEP 34 Insert two (2) M4*20 Bolts [CC] into each corner post. Don't insert bolts entirely. Attach one (1) Light [Q] onto the bolts.

[CC] x 8



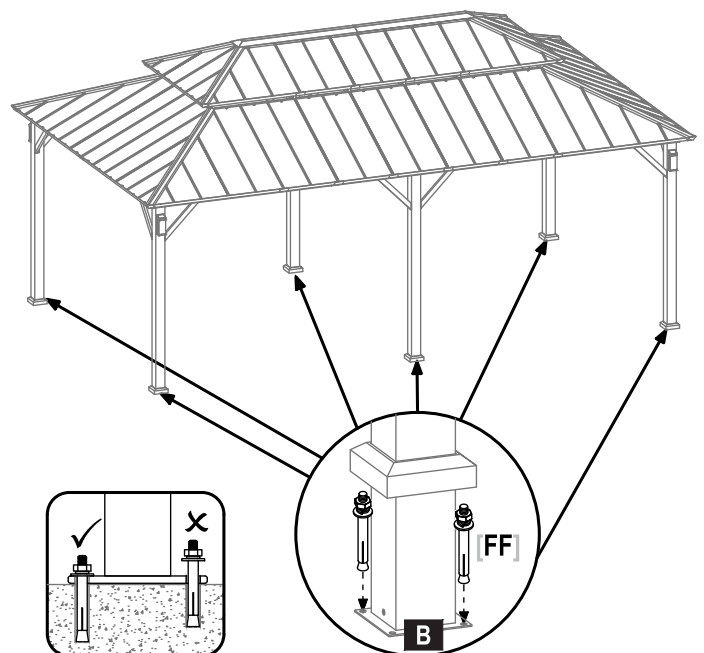
STEP 35 Attach all sixty-four (64) Rings [LL] to the mosquito net [S]. Hang the mosquito net [S] around the gazebo on the rings.

[LL] x 64



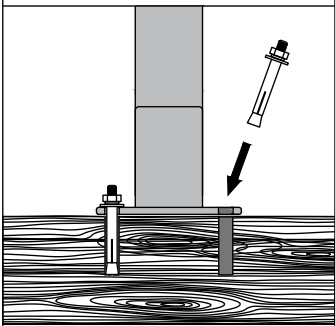
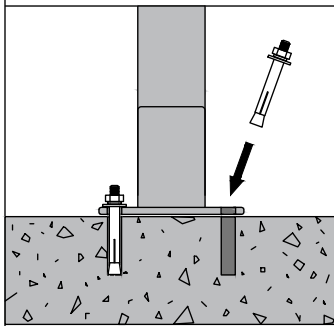


STEP 36 Place the gazebo in position. Lift the Foot Base [C] up and use the Concrete Anchors [FF] to secure the gazebo to the ground. Lower the Foot Base back into place.

[FF] x 12



Outdoor Structure anchoring guide for anchoring gazebo to wood or concrete: If step 36, on page 16 in the assembly instructions is not properly completed, this will void the warranty.

⚠ WARNING! If your gazebo is not properly anchored, damage could occur. It is highly recommended for maximum safety that you mount and secure to wood or concrete footers. This is far better and safer than using ground stakes. The following are some examples of how to mount the structure to wood or concrete surfaces. Refer to local building codes or consider consulting a licensed contractor for assistance in the anchoring of this product.

WOOD	CONCRETE
	
<p>Anchors should be drilled into joists or reinforced blocking (not only deck boards).</p>  <p>Recommended Hardware: Expansion Bolt</p>	<p>Pre-drill holes for appropriately sized concrete anchors.</p>  <p>Recommended Hardware: Expansion Bolt</p>

If digging for foundation, please double check for possibility of any underground utilities such as gas, telephone, cable or sprinkler lines. Refer to your local building and city codes, ordinances, neighborhood covenants, or height restrictions regarding this type of structure for guidance on acceptable installation requirements.

⚠ CAUTION
DO NOT climb or walk on roof for any reason.

- Our components are intended for privacy, decorative and ornamental use only.
- Product is NOT INTENDED for the following:
 - A safety barrier to prevent unsupervised access to pools, hot tubs, spas or ponds.
 - As load bearing support for a building, structure, heavy objects or swings.
 - Used in structures that trap wind, rain or snow that would create extra load on the product.
 - Accumulated snow must be removed from roof.
 - DO NOT climb or walk on roof for any reason.

LIMITED WARRANTY

We warrants this product against defects in materials and workmanship for a period of one (1) year from the original date of purchase. To the extent any such defects occur, our products will send the appropriate replacement part(s) at no charge.

This warranty does not cover:

- Inspection costs or labor for replacement of any defective parts);
- Incidental or consequential damages;
- Cosmetic defects which DO NOT affect performance;
- Normal wear and tear;
- Damage due to vandalism; acts of nature, including but not limited to wind, storms, hail, floods;
- Improper assembly, installation, or use;
- Discoloration or fading of the finish as a result of exposure to chemicals, spills, pool or salt water
- Corrosion/ rust.

Your product has been designed for safety and quality.

Any modifications made to the original product could compromise its structural integrity or function, and could lead to product failure or personal injury. As such, modifying this product voids any and all warranties.

This product is warranted for RESIDENTIAL USE ONLY, and is not for commercial, contract or other non-residential purposes. Products disclaims all other representations and warranties of any kind, express or implied.

The warranty applies to the original purchaser and is non-transferable. It does not apply to purchases of display models, or when the product is sold on clearance or "as is".

We makes no warranty whatsoever in respect to accessories or parts not supplied with it. This warranty shall apply only within the boundaries of the United States of America and Canada. This warranty gives the original purchaser specific rights, and the original purchaser may also have other rights, which vary from state to state.

