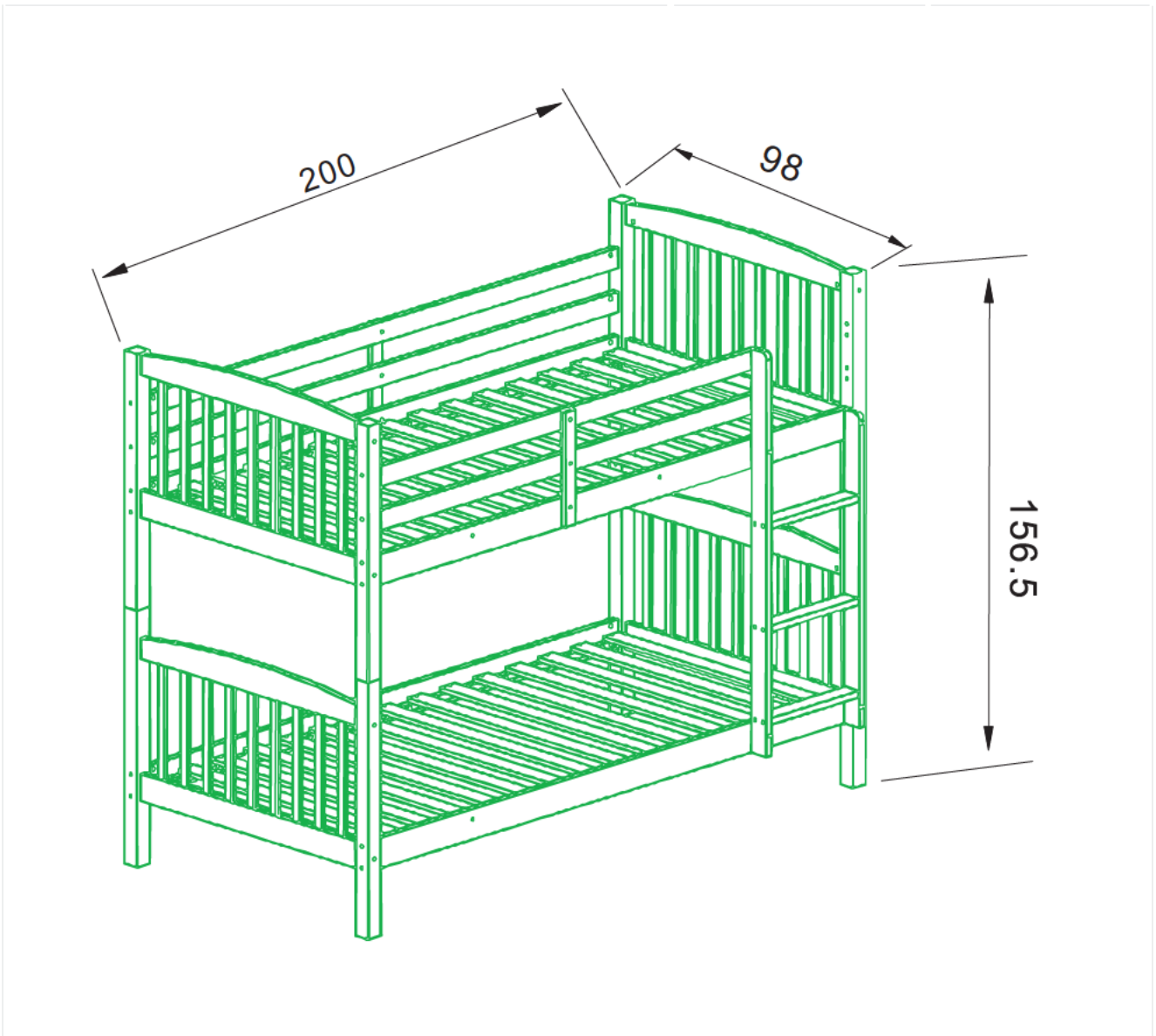


Bunk Bed


Assembly Instructions – Please keep for future reference

BUNHENWHT

BUNHENGRY



thank you

Dimensions	No. people	Assembly Time	OW #
Width: 200cm Depth: 98cm Height: 156.5cm		90 mins (approx.)	BUNHENWHT BUNHENGRY

Important – Please read these instructions fully before starting assembly

Safety and Care Advice

Important – Please read these instructions fully before starting assembly

- ξ Check you have all the components and tools listed on pages 2, 3 and 4.
- ξ Remove all fittings from the plastic bags and separate them into their groups.
- ξ Keep children and animals away from the work area, small parts could choke if swallowed.
- ξ Make sure you have enough space to lay out the parts before starting.
- ξ Do not stand or put weight on the product, this could cause damage.
- ξ Assemble the item as close to its final position (in the same room) as possible.
- ξ Assemble on a soft, level surface to avoid damaging the unit or your floor.
- ξ We do not recommend the use of power drill/drivers for inserting screws, as this could damage the unit. Only use hand screwdrivers.
- ξ Dispose of all packaging carefully and responsibly.

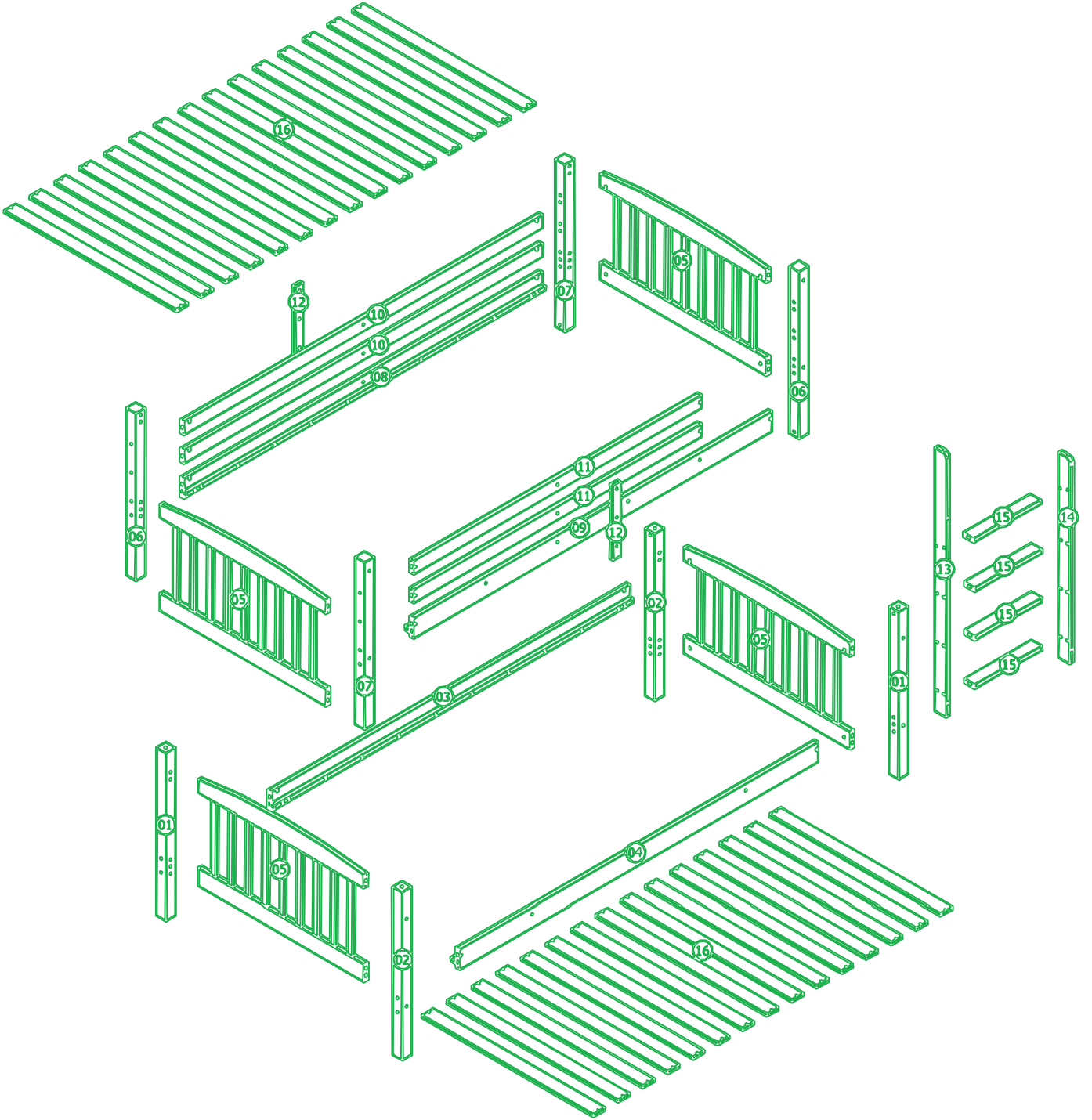


Care and Maintenance

- ξ Only clean using a damp cloth and mild detergent, do not use bleach or abrasive cleaners.
- ξ From time to time check that there are no loose screws on this unit.
- ξ This product should not be discarded with household waste. Take to your local authority waste disposal centre.

**If you are unhappy with the product and wish to return it,
please follow the retailer's returns procedure.**













Components - Panels



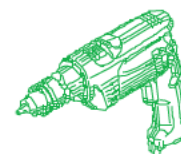
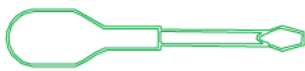
Components - Fixings

Please check that you have all the components listed below before constructing your item.

Note: The quantities below are the correct amount to complete the assembly. In some cases more fittings may be supplied than are required.

(A)	x38	(B)	x38	(C)	x4	(D)	x6
	 M6x100mm				 M6x70mm		 M6x30mm
(E)	x10	(F)	x18	(G)	x2	(H)	x8
	 15mm		 10mm Ø7x50mm				 8mm Ø4x40mm
(I)	x30	(J)	x60	(K)	x4	(L)	x13
	 Ø8x30mm		 8mm Ø4x30mm		 Ø12x60mm		

Tools Required (Not Provided)



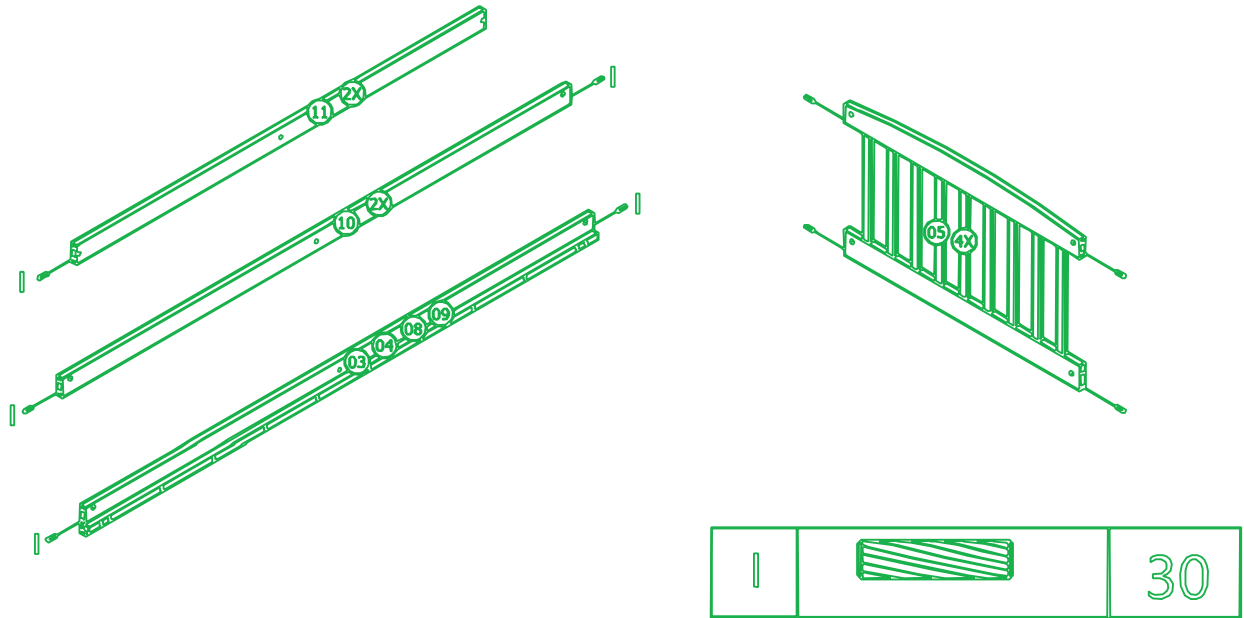
Ruler – Use this to measure your screws (mm)



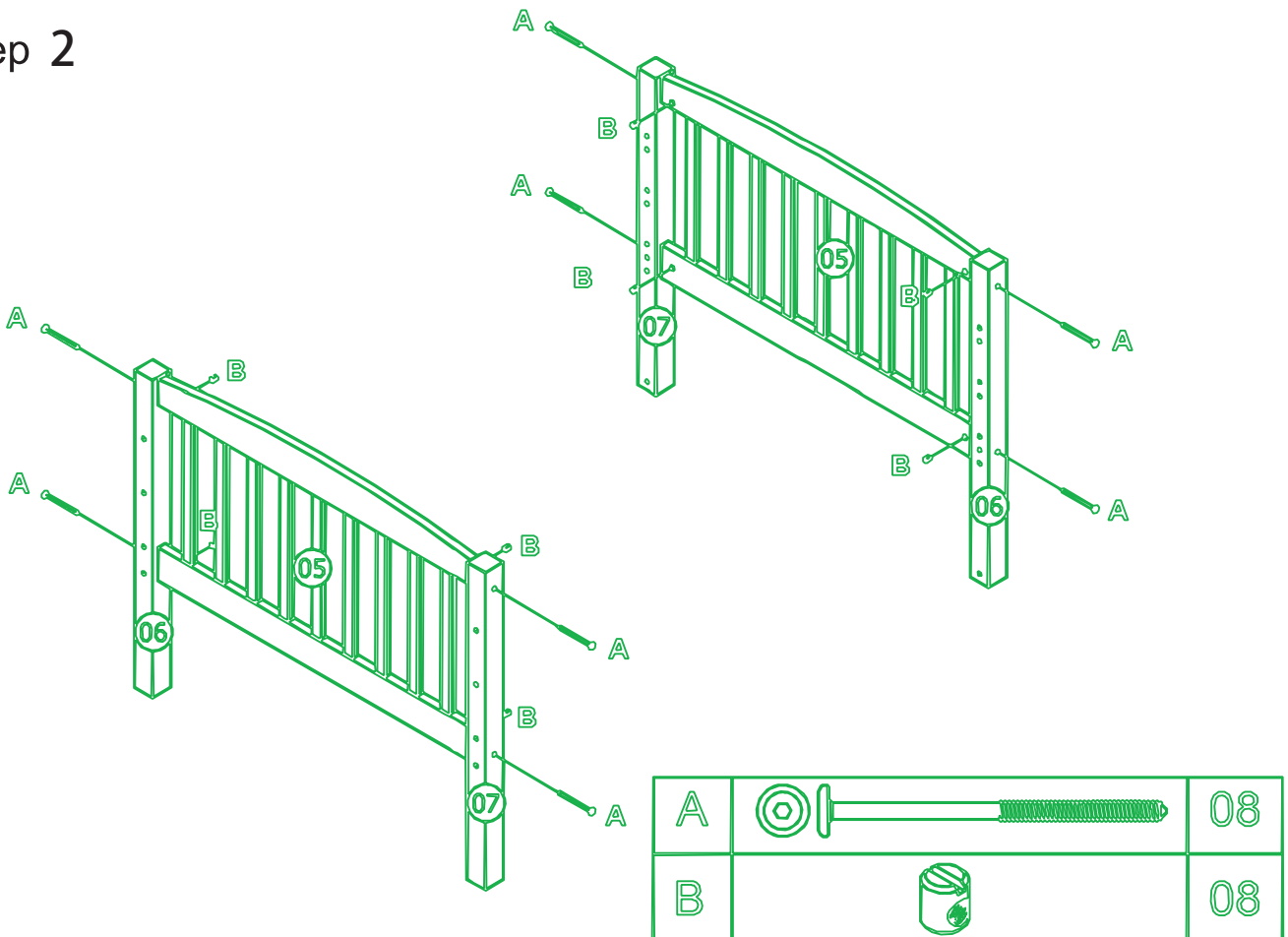
Important – Please read these instructions fully before starting assembly

Assembly Instructions

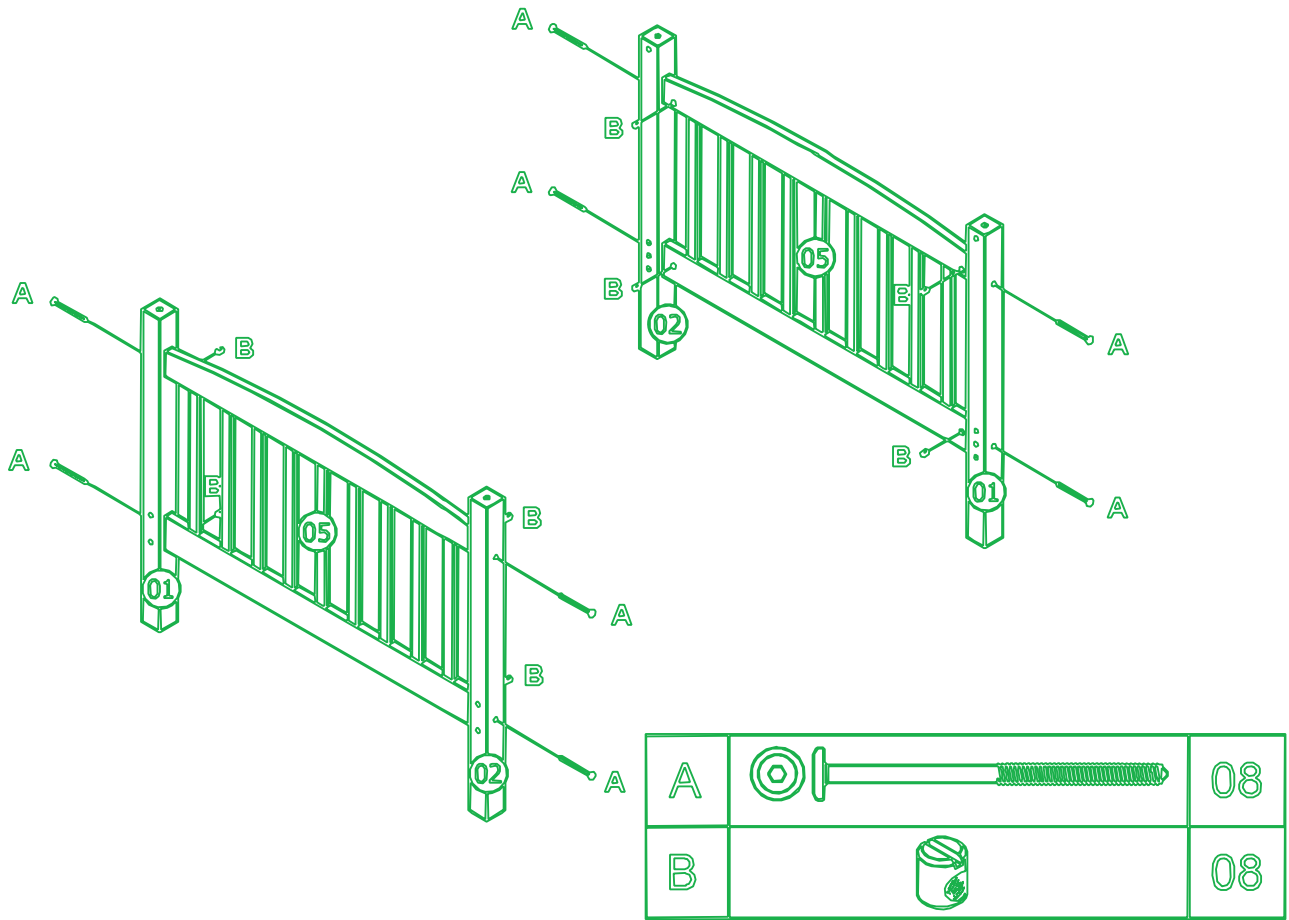
Step 1



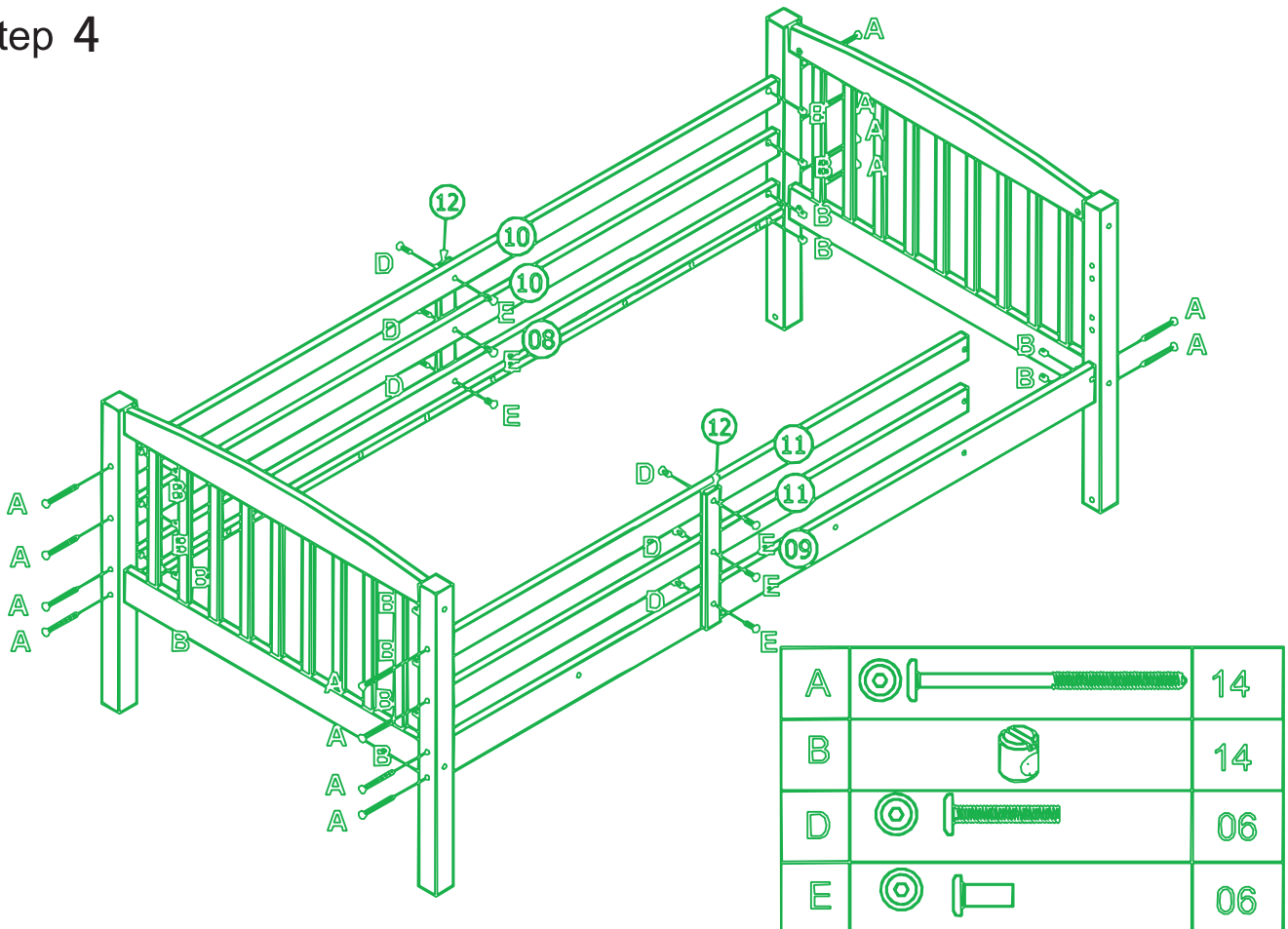
Step 2



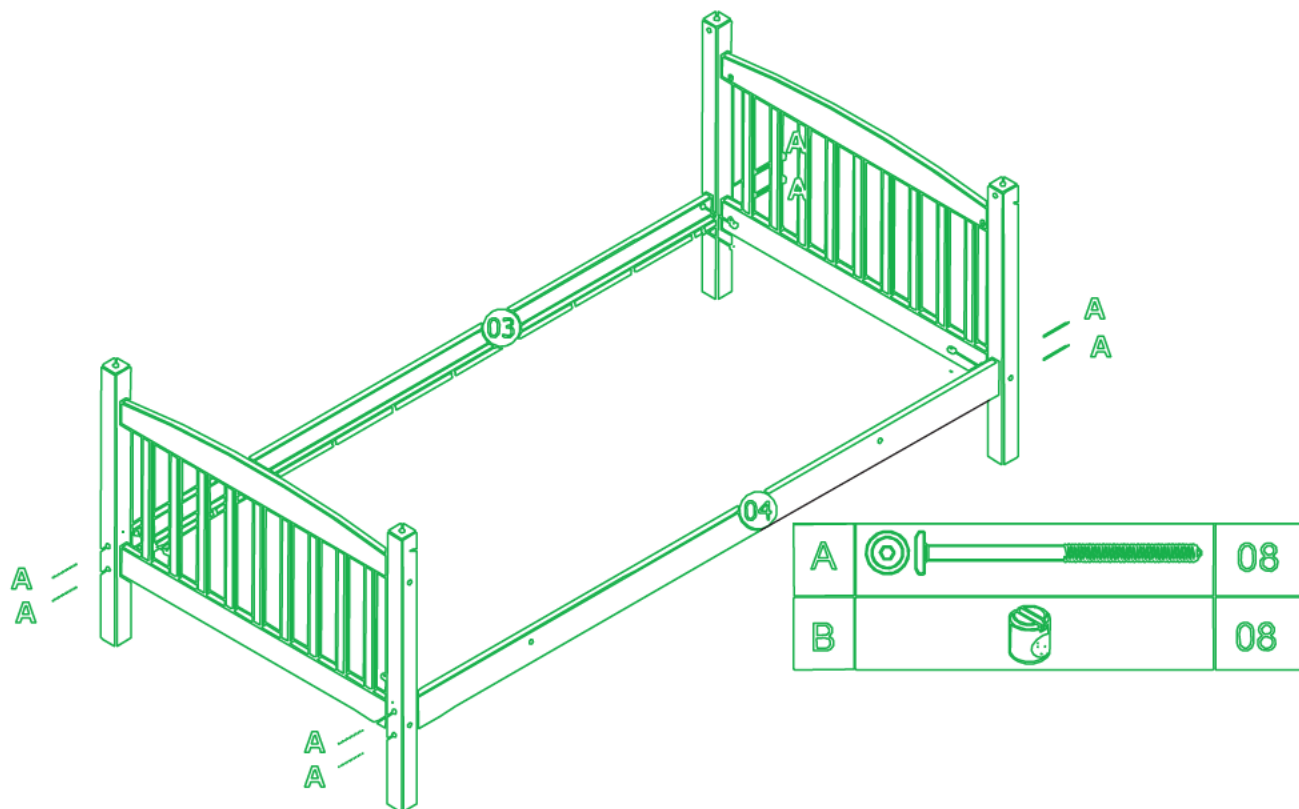
Step 3



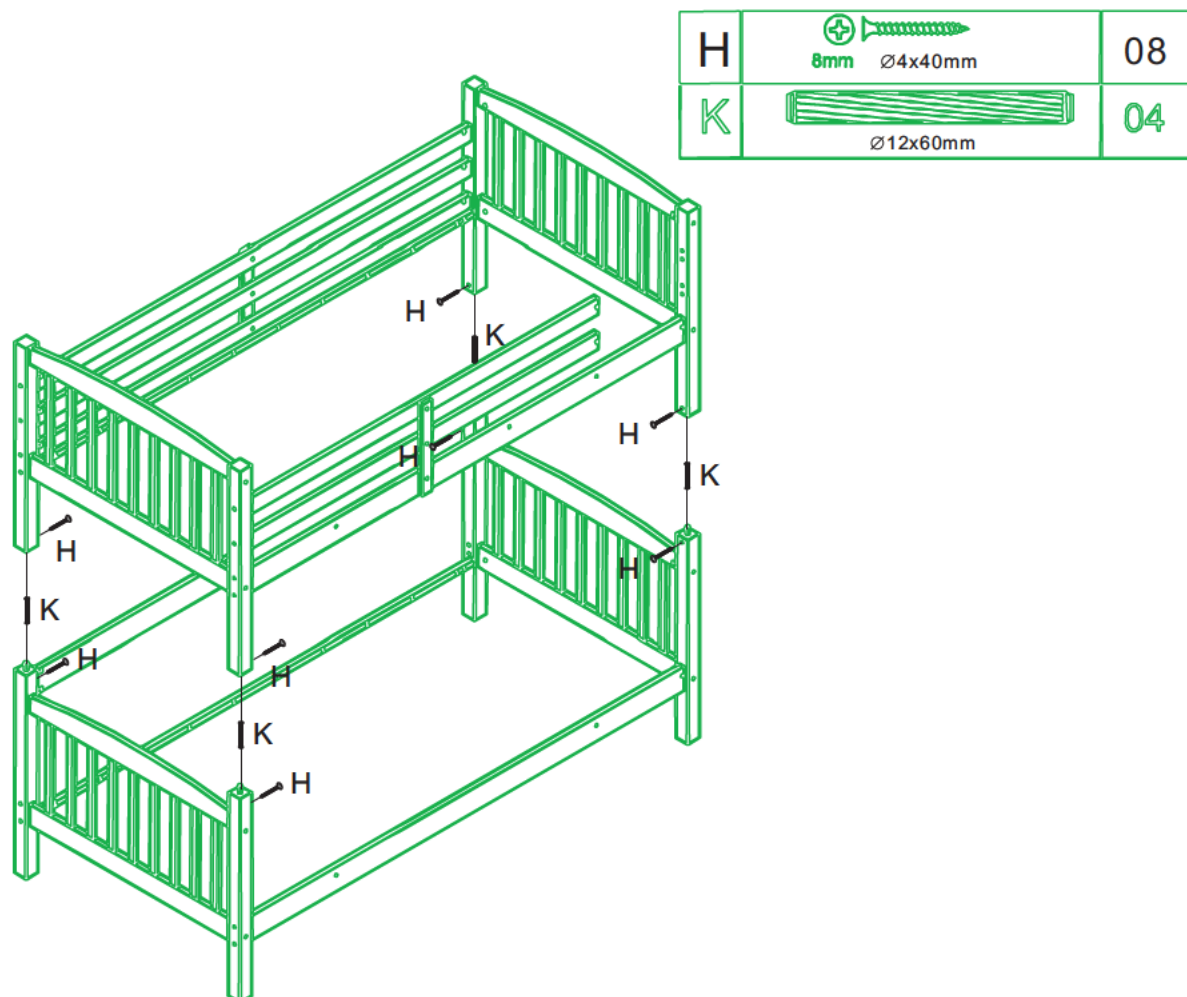
Step 4



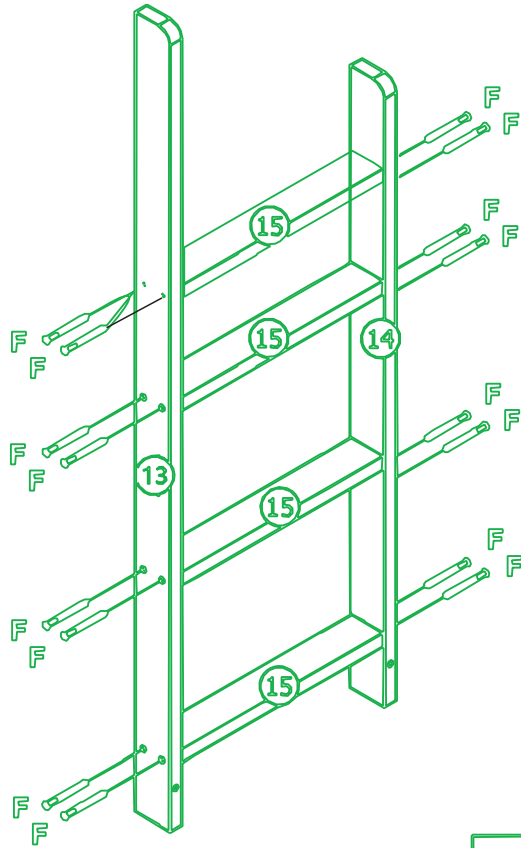
Step 5




Step 6

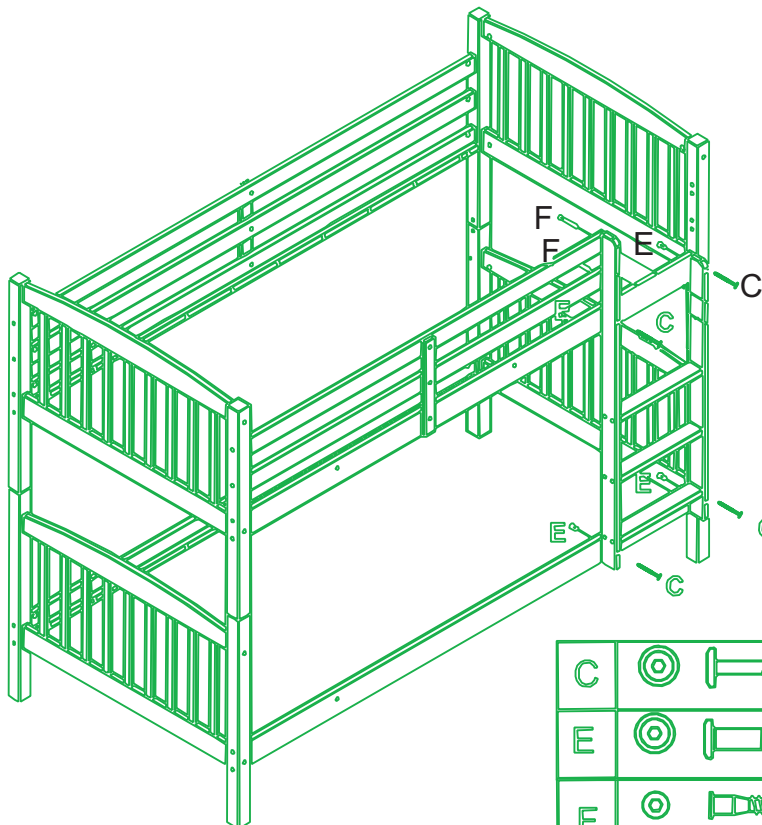


Step 7






F	⊙		16
---	---	--	----

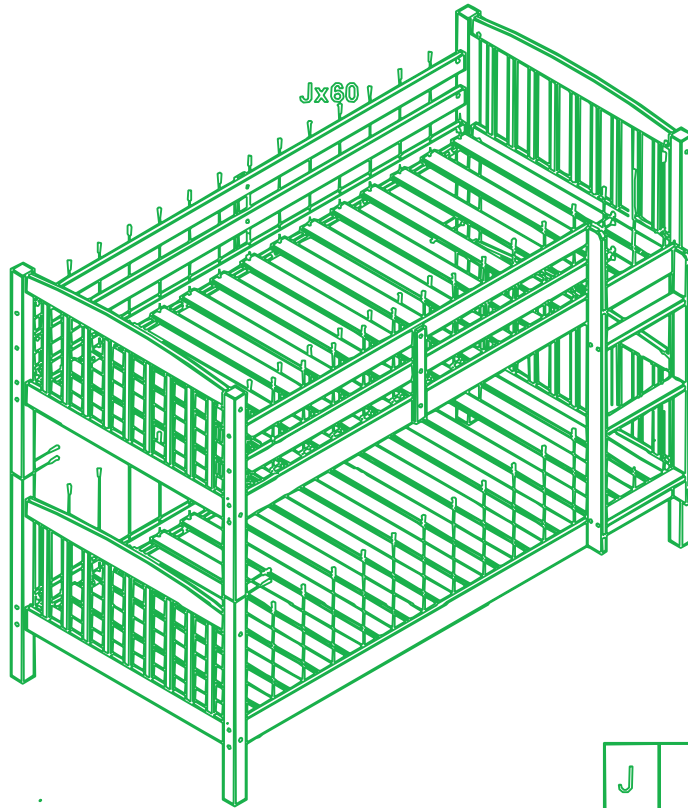
Step 8



Note: Ladder .
can be installed
on the right
side only

C	⊙		04
E	⊙		04
F	⊙		02

Step 9



J		60
---	---	----

Step 10

L		13
---	---	----

