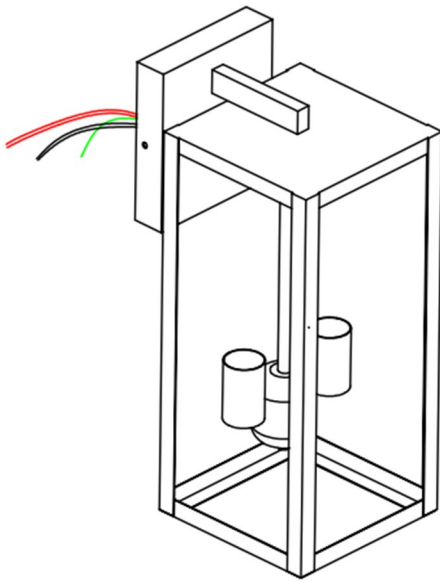


Owner Manual



PARTS

A*1



Fixture

B*1



Mounting unit

ATTENTION

Please inspect the wires before installation, if the wire shows any cut or abrasion, or has exposed copper wires, **DO NOT** use the fixture, it might be caused during transportation or defect product.

Before starting installation of the fixture, please remove the previous fixture (if any).

Disconnect the power by turning off the electric break for your property (Please ask for professional help if needed).

MAINTENANCE AND WARNING

Verify the lamp model suits the environment (indoor/outdoor, IP rating) and check all accessories (body, screws, cord, manual).

Only use with bulbs of the recommended type and wattage. Exceeding the maximum wattage may cause overheating or fire.

Do not install the fixture if any part is damaged or missing. Contact the manufacturer or seller for replacement parts.

The fixture may become hot during use. Allow to cool before handling.

Clean dust accumulation in recessed lamps regularly (to prevent overheating), but only when powered off; never rinse with water.

If the fixture includes a dimmer switch, ensure it is compatible with the fixture before installation.

Do not modify the fixture in any way; tampering with electrical components can result in malfunction or risk of fire.

HARDWARE

TOOL LIST

①*2



Mounting
Screws

②*3



Wire nuts

③*2



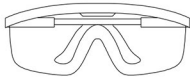
Screws

Please make sure all hardware & packing material fitting the list. Especially some small accessories may be missing during transportation. Please contact us if you have any question.

TOOLS REQUIRED



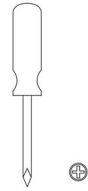
LADDER



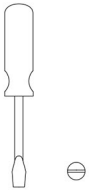
SAFETY
GOGGLES



ELECTRICAL
TAPE



PHILLIPS
SCREWDRIVER



FLATHEAD
SCREWDRIVER



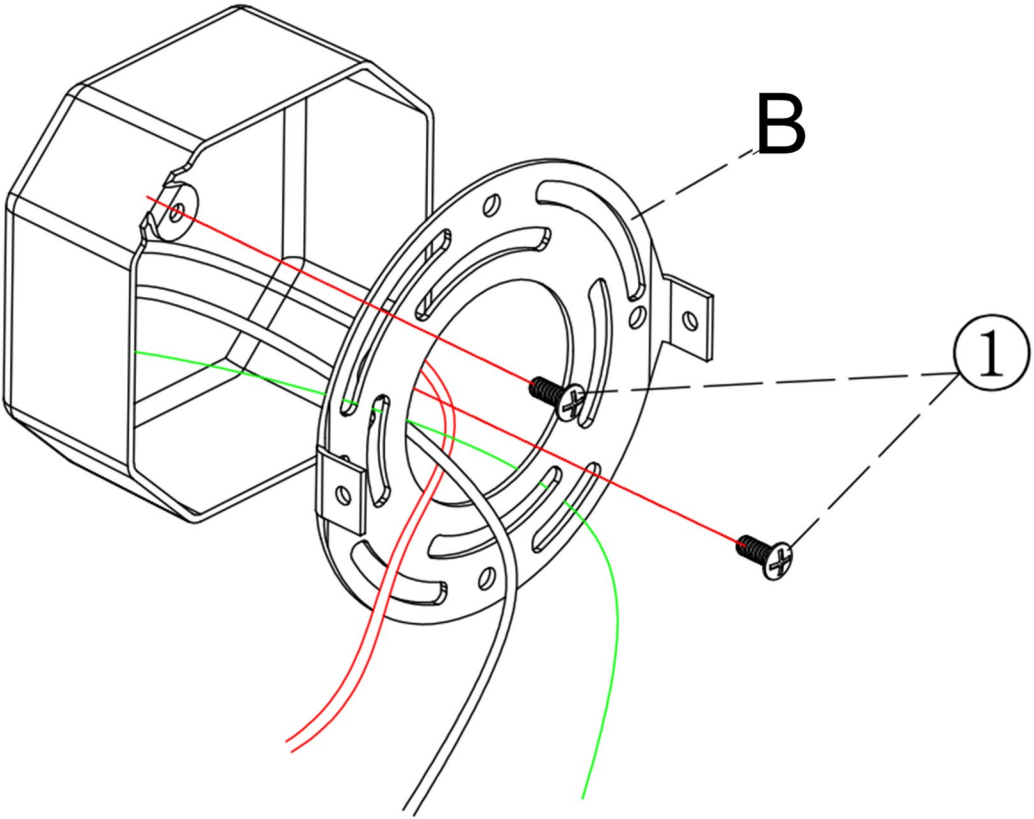
WIRE
CUTTER



WIRE
STRIPPER

step 1 ---Install the Mounting unit (B)

Use the mounting screws to attach the mounting unit to the junction box.



step 2 ---Connect the electrical wires

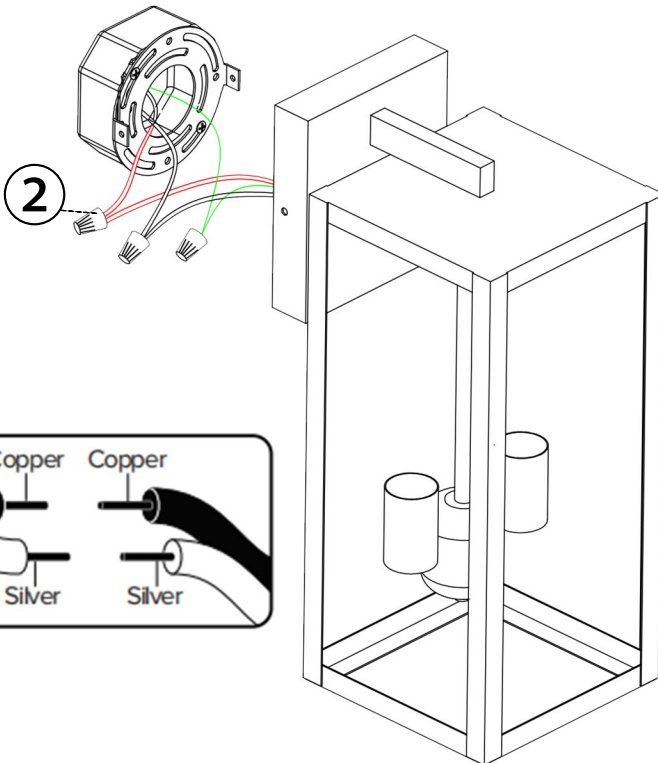
Make the electrical connection from the junction box to the fixture. Connect the ground wire to the mounting unit using the preinstalled green ground screw. Then, connect the positive, negative and ground wires with the supplied wire nuts. Secure with electrical tape.

Connect Clear, Brown, Gold or Black Parallel Wire without tracer (round & smooth) or Black Fixture Wire to:

Black or Red Supply Wire or Insulated Wire (other than green) with copper conductor.

Connect Clear, Brown, Gold or Black *Parallel Wire with tracer (square & ridged) or White Fixture Wire to:

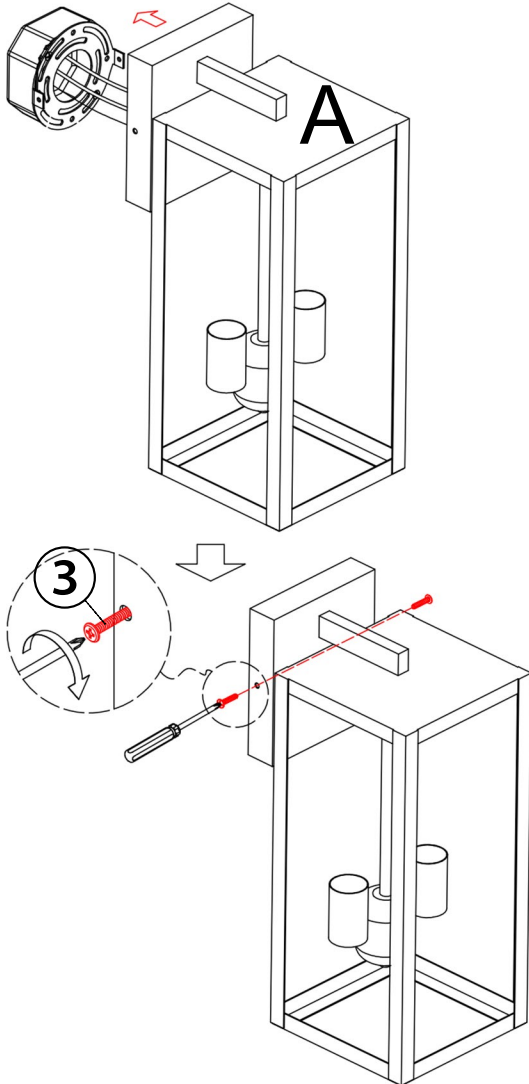
White Supply Wire or Insulated Wire (other than green) with silver conductor



step 3 ---Install the Fixture (A)

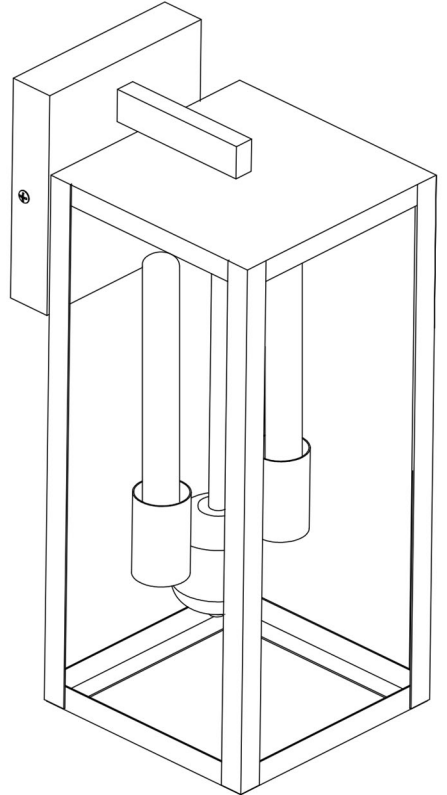
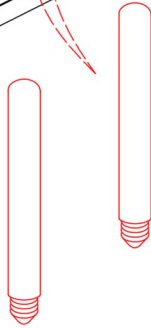
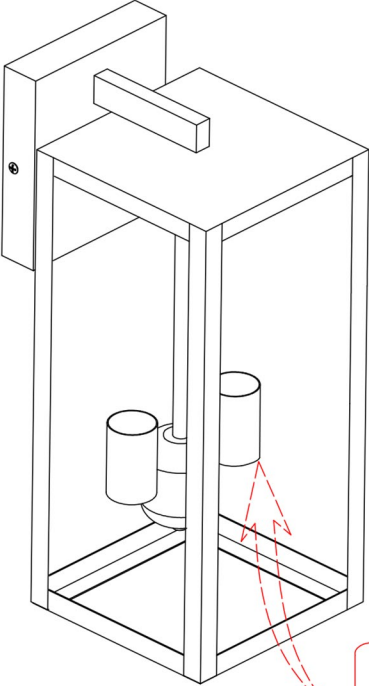
Attach the fixture to the mounting unit through screw holes as shown, and secure it with screws.

NOTICE: Please use caulk in the back plate and wall mounting surface to prevent water from entering.



step 4 ---Install the Light bulb

Install the light bulb into the socket as shown.
(light bulb not included)



Product Overview

