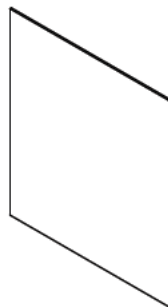


Ax2



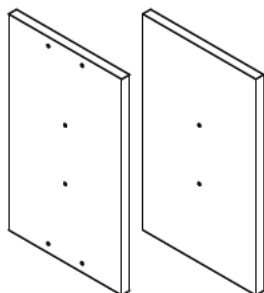
$\frac{494 \times 246}{19.4 \times 9.7}$

Bx1

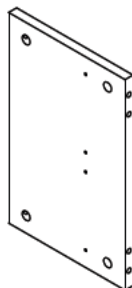


$\frac{328 \times 300}{13.0 \times 11.8}$

Cx1



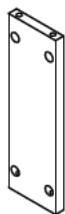
Dx1



Ex4



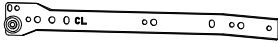
Fx1



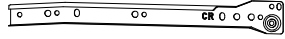
Gx2



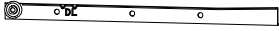
Hx2



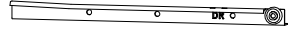
CLx1



CRx1



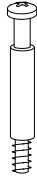
DLx1



DRx1



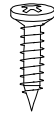
Ix24



Jx16



Kx16



Lx8  
M3.5x  $\frac{12}{0.5}$



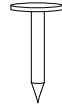
Mx4  
M6x  $\frac{12}{0.5}$



Nx2  
M3.5x  $\frac{20}{0.8}$



Ox1



Px28



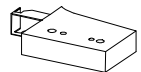
Qx4  
M3.5x  $\frac{30}{1.2}$



Rx1



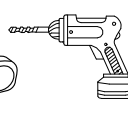
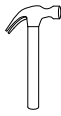
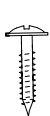
Sx2



Tx2

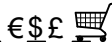


Ux1

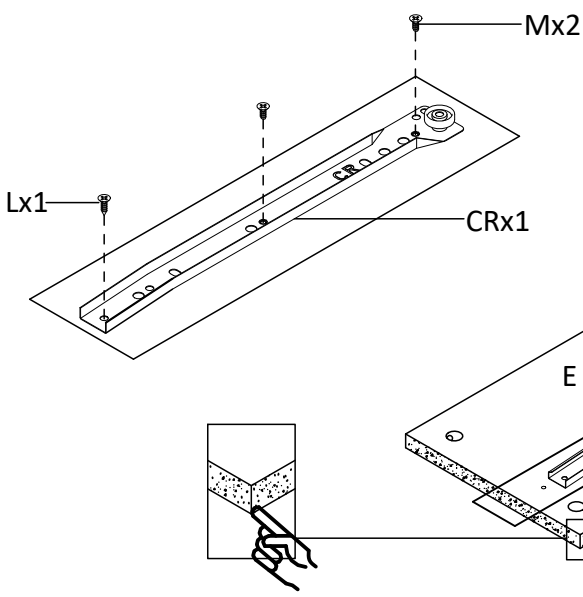


mm  
inch

x2



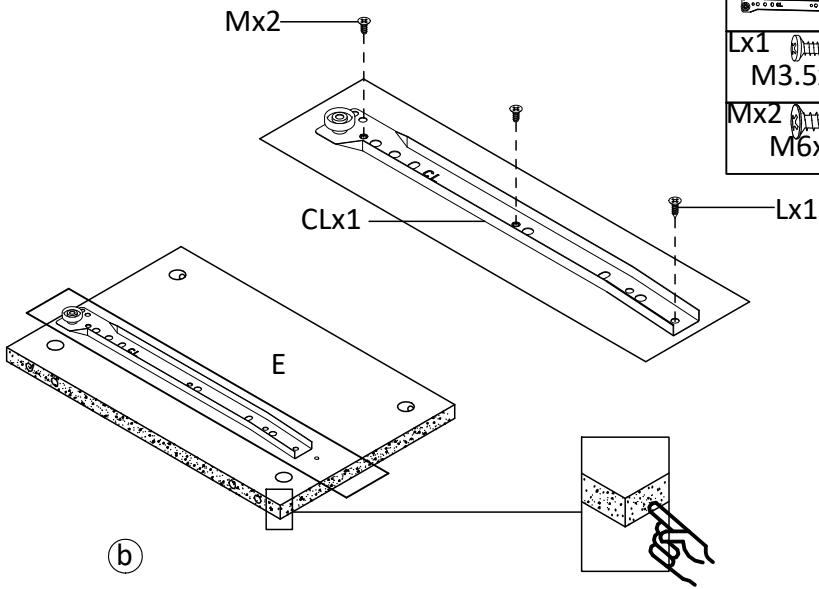
①



CRx1	
Lx1	
M3.5x	$\frac{12}{0.5}$
Mx2	
M6x	$\frac{12}{0.5}$

a

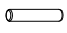
②

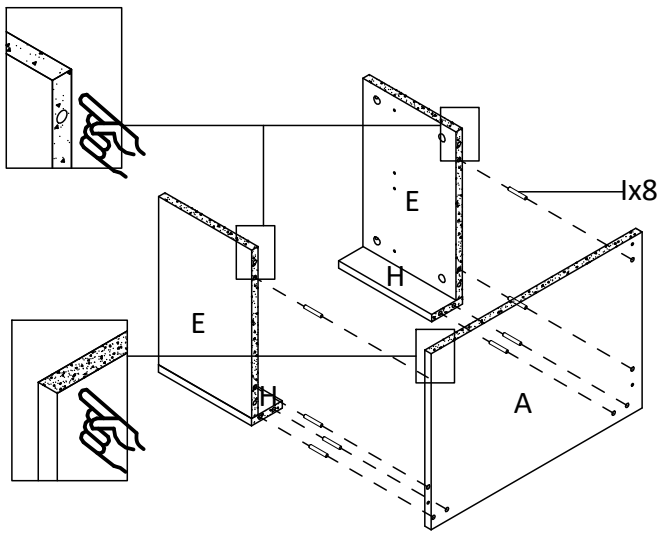


CLx1	
Lx1	
M3.5x	$\frac{12}{0.5}$
Mx2	
M6x	$\frac{12}{0.5}$

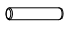

b

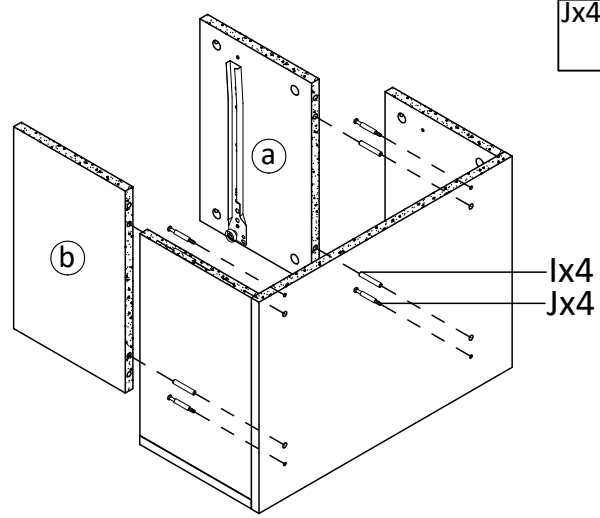
③

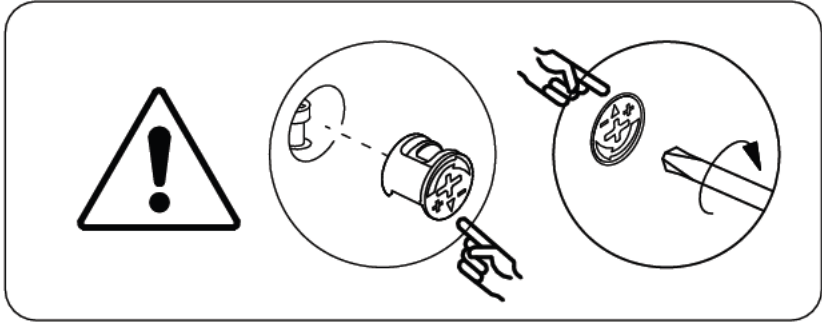
Ix8  




④

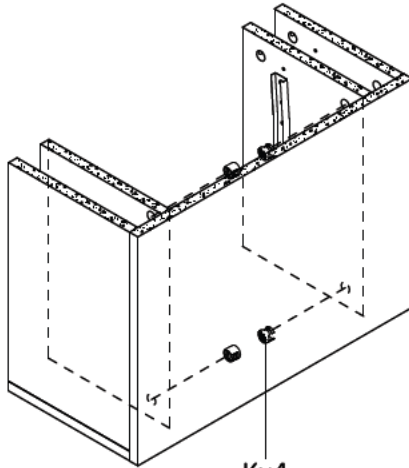
Ix4  
  
Jx4  






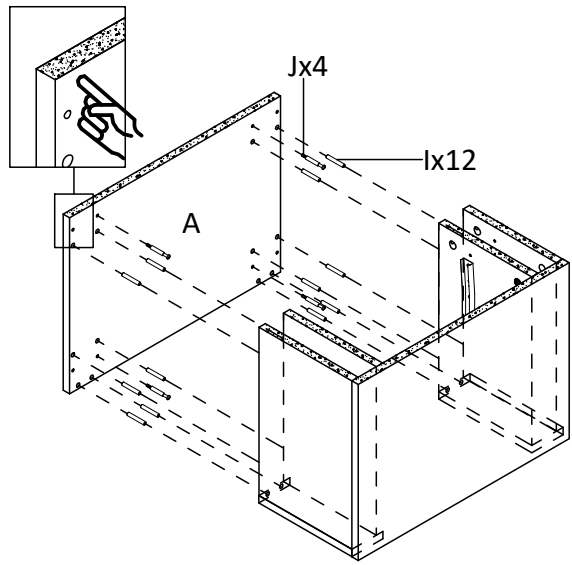
⑤

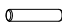

Kx4



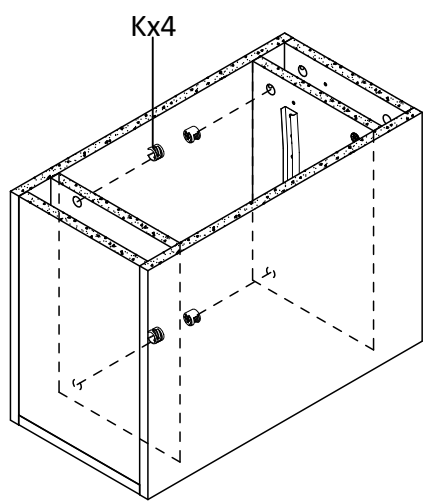
Kx4


6



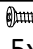

lx12	
Jx4	

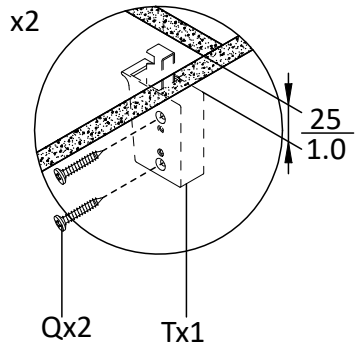
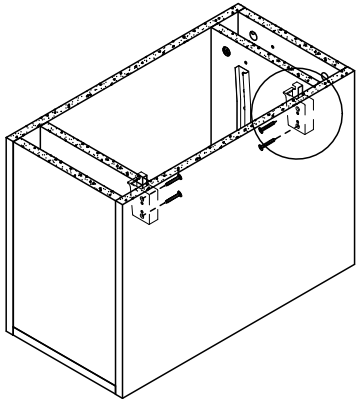
7



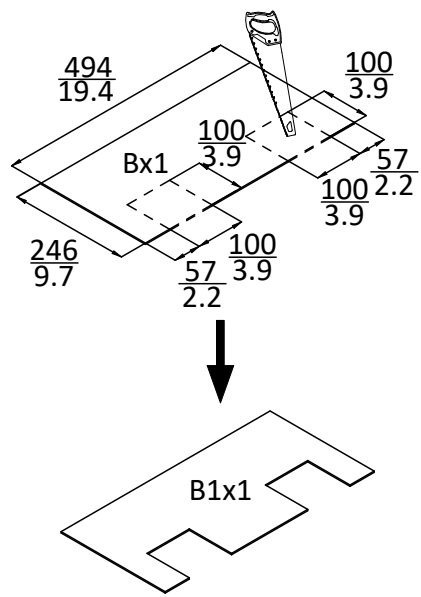
Kx4	
-----	--

8

Qx4		30
M3.5x		1.2
Tx2		

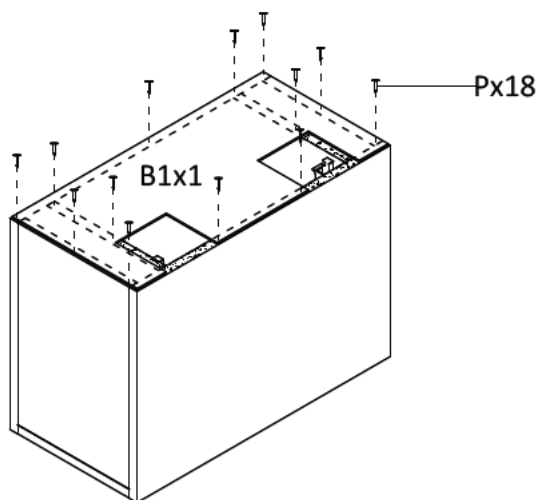


9

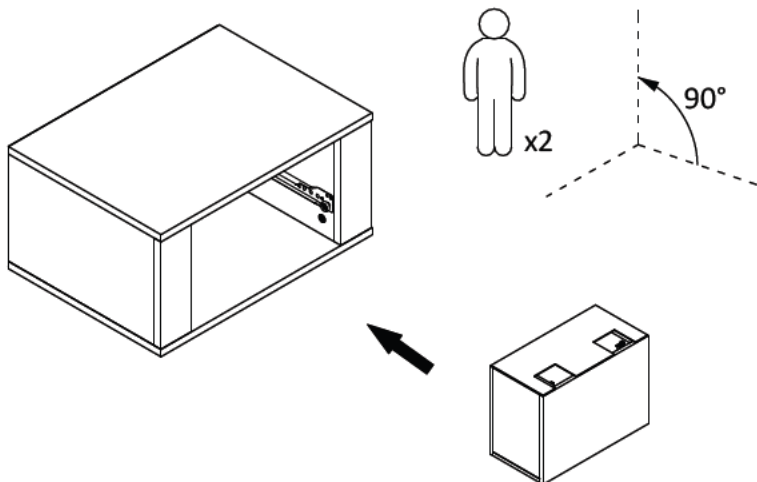


10

Px18

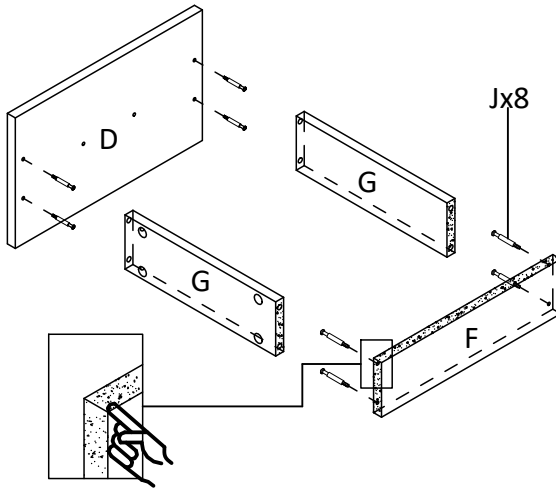


11



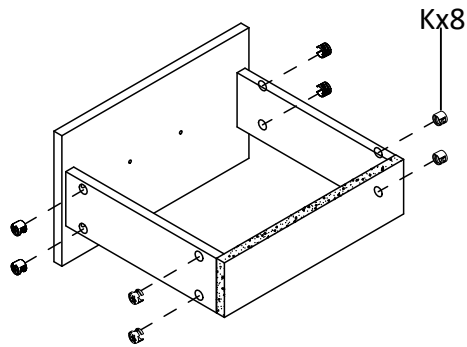
12

Jx8



13

Kx8

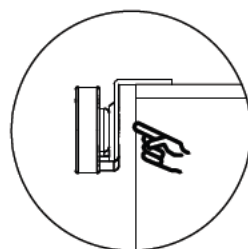
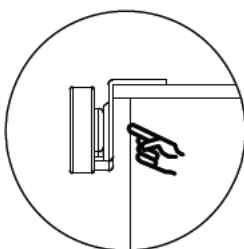
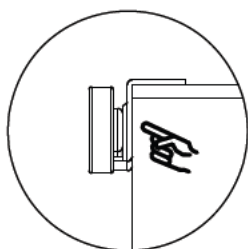
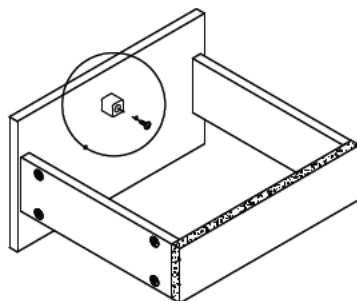
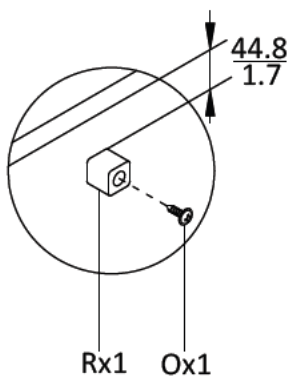


14

Rx1

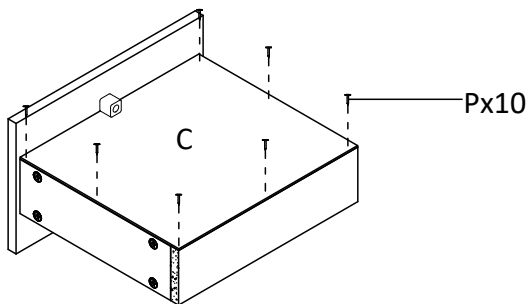


Ox1



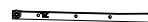
15

Px10

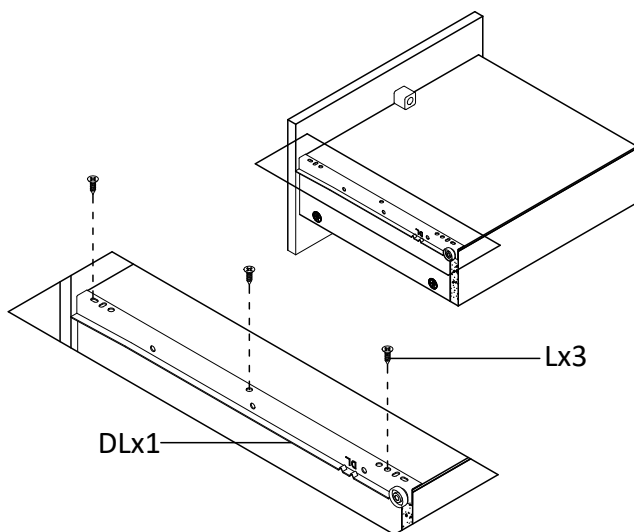


16


DLx1




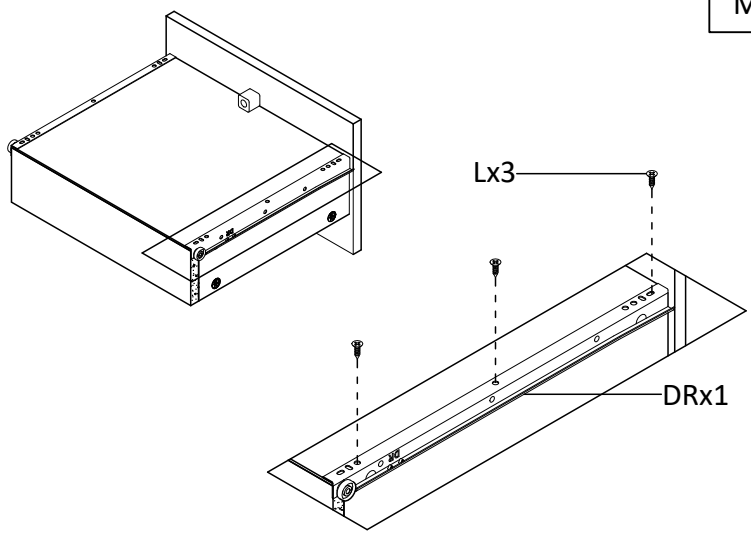
Lx3  
M3.5x  $\frac{12}{0.5}$




17


DRx1 

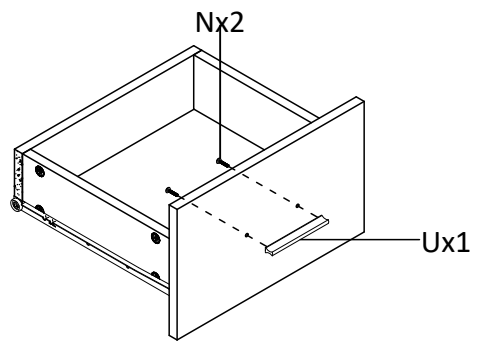
Lx3  M3.5x  $\frac{12}{0.5}$



18

Nx2  M3.5x  $\frac{20}{0.8}$

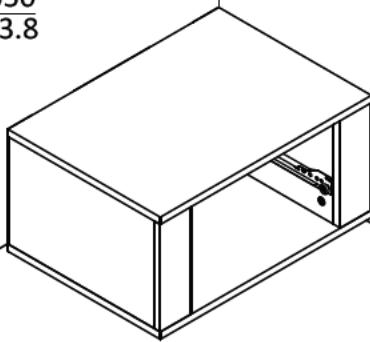
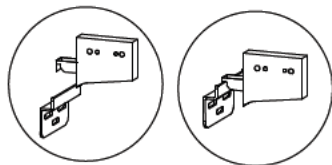
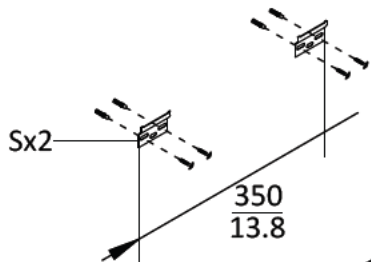
Ux1 



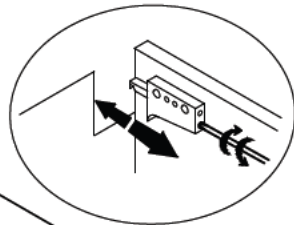
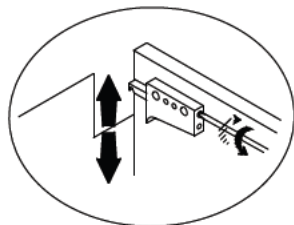
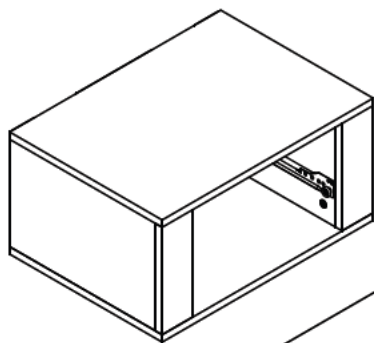
C

19

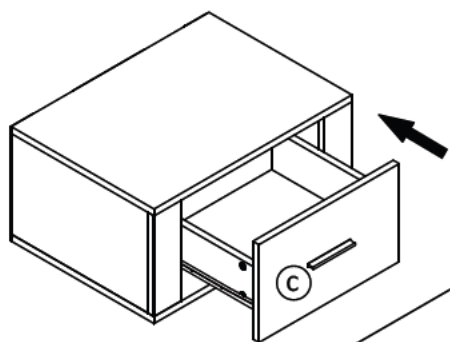
Sx2



20



21



22

