

INSTALLATION INSTRUCTIONS

GW-3500 Series
Wave Grab Bar
LIFESTYLE & WELLNESS®

PLEASE READ THESE INSTALLATION INSTRUCTIONS THOROUGHLY PRIOR TO INSTALLING THIS GRAB BAR

IMPORTANT: THIS PRODUCT SHOULD ONLY BE INSTALLED BY QUALIFIED AND TRAINED PERSONNEL

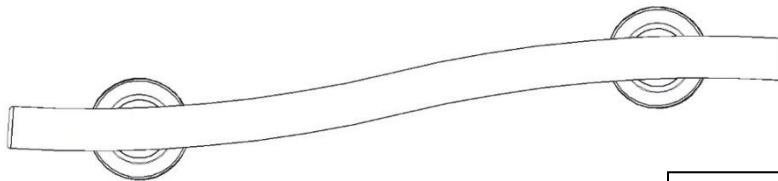
FAILURE TO FOLLOW THESE INSTRUCTIONS COULD LEAD TO IMPROPER INSTALLATION OF THE GRAB BAR, STRUCTURAL AND/OR WATER DAMAGE TO THE WALL AND IN-WALL SUPPORT STRUCTURES, AND/OR SERIOUS BODILY INJURY IN USE. IN ADDITION, ALL WARRANTIES, EXPRESS OR IMPLIED, WILL BE NULL & VOID DUE TO IMPROPER INSTALLATION OF THIS PRODUCT. THE MANUFACTURER DOES NOT ASSUME ANY LIABILITY FOR DAMAGE RESULTING FROM SERVICES PERFORMED BY OTHERS, OR FAULTY INSTALLATION, MISUSE OR MISAPPLICATION OF GOODS.

THIS PRODUCT IS DESIGNED TO MEET OR EXCEED ALL LOAD REQUIREMENTS ESTABLISHED IN THE AMERICANS WITH DISABILITIES (ADA) ACT AND/OR FEDERAL SPECIFICATION WW-P-541/8b AT 250 POUNDS OF FORCE. THE PERFORMANCE OF THIS PRODUCT IS SIGNIFICANTLY IMPACTED BY THE STRENGTH AND CONSTRUCTION OF THE WALL TO WHICH IT IS ATTACHED.

TO ASSURE PROPER AND SAFE INSTALLATION, THIS GRAB BAR MUST BE INSTALLED INTO A MINIMUM 2" THICK, SOLID WOOD, IN-WALL BACKING MATERIAL. MAKE CERTAIN IN-WALL BACKING COMPLIES WITH ALL LOCAL BUILDING CODE REQUIREMENTS.

1. Locating the Grab Bar in the desired position.

Remove the Wave Grab Bar (GW-3518, GW-3524, GW-3536, GW-3548-Series) from the shipping carton.



GW-3518 = 18" Wave Grab Bar
GW-3524 = 24" Wave Grab Bar
GW-3536 = 36" Wave Grab Bar
GW-3548 = 48" Wave Grab Bar

Locate the area with 2" solid wood in-wall backing on the desired mounting surface.

Place the bar in position on the wall. Using a level (not provided) ensure the grab bar is level and pencil-mark the location of the mounting holes on the wall.

Using a pencil or suitable marker, it is ***extremely important*** you mark the center of each of the six (6) mounting holes precisely on the mounting surface.

INSTALLATION INSTRUCTIONS

GW-3500 Series
Wave Grab Bar
LIFESTYLE & WELLNESS®

Proceed cautiously through the following steps in this installation process to avoid drilling into in-wall water supply lines.

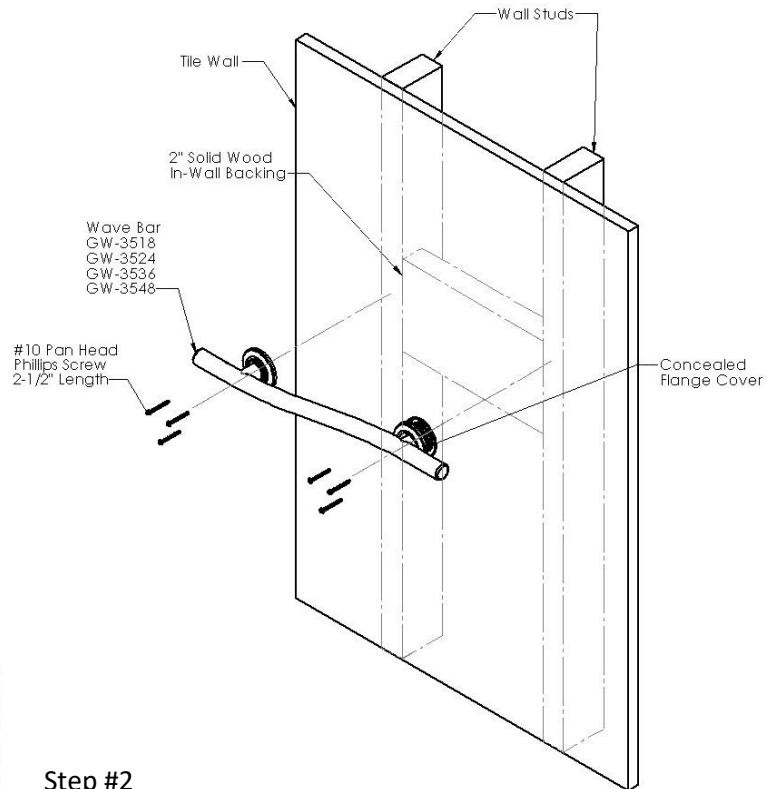
All mounting points must fasten into structural wood backing, minimum 2" thickness.

Avoid electrical and/or plumbing behind the wall, and where possible drill through tile – not through grout.

2. Mounting the Grab Bar.

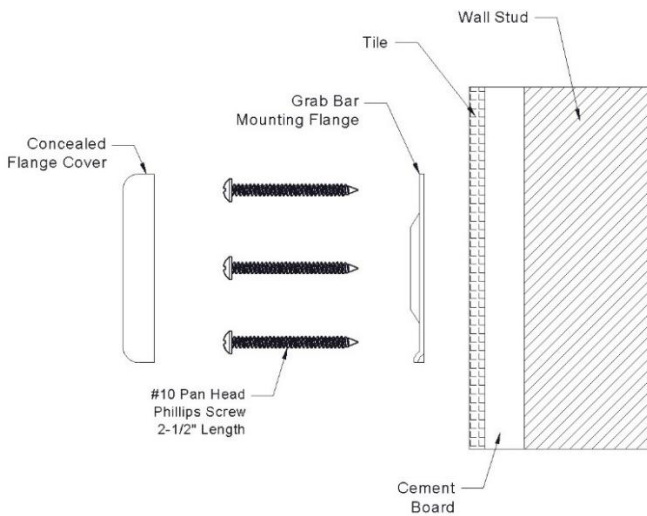
Step #1

Use a power drill with a 3/32" carbide tip drill bit (not provided) and drill at the six (6) locations marked on the wall into the 2" thick solid wood in-wall backing.



Step #2

Apply a bead of silicone around the Grab Bar Mounting Flanges on the mounting surface to ensure a water-tight seal will be created at all mounting locations. Secure the grab bar to the wall using six (6) #10 x 2-1/2" stainless steel screws (supplied by manufacturer) and screw into the 3/32" holes created in the solid wood backing. *Tighten screws completely after ALL screws are in place.* Complete the grab bar installation by covering the mounting flanges with the Concealed Flange Covers, snapping them into place.



To ensure proper and safe installation, the grab bar should not shift in any direction on the mounting surface.

Hardware Provided: (6) #10 x 2-1/2" Phillips Pan Head sheet metal screws.

Tools required: Marking pencil/pen, level, power drill, 3/32" carbide tip drill bit, #2 phillips driver, silicone.

THIS COMPLETES THE INSTALLATION OF THIS GRAB BAR.