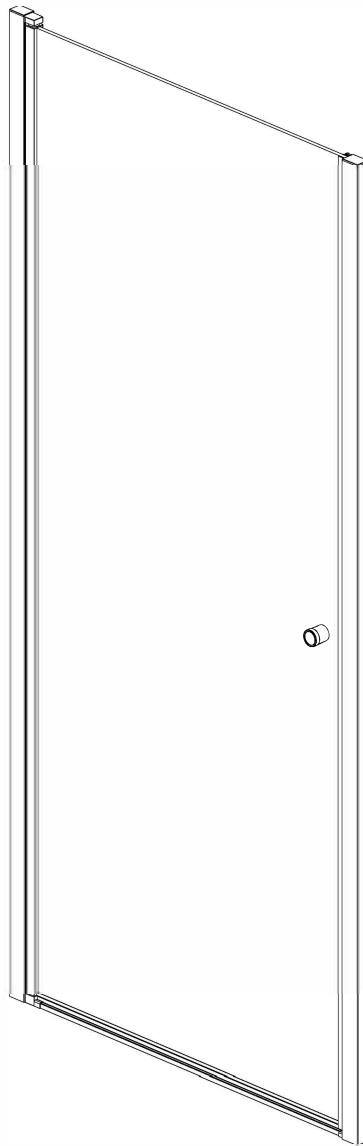


INSTALLATION INSTRUCTIONS



BEHL1007

◆ General Information

Please inspect the product immediately upon receipt for transit damage, missing packs/parts or manufacturing fault. Damage reported later cannot be accepted. Please handle the product with care avoiding knocks and shock loading to all sides and edges of the glass.

Notes: Safety glass can not be re-worked.

Please read these instructions carefully before start of installation.

Special care should be taken when drilling walls to avoid hidden pipes or electrical cables.

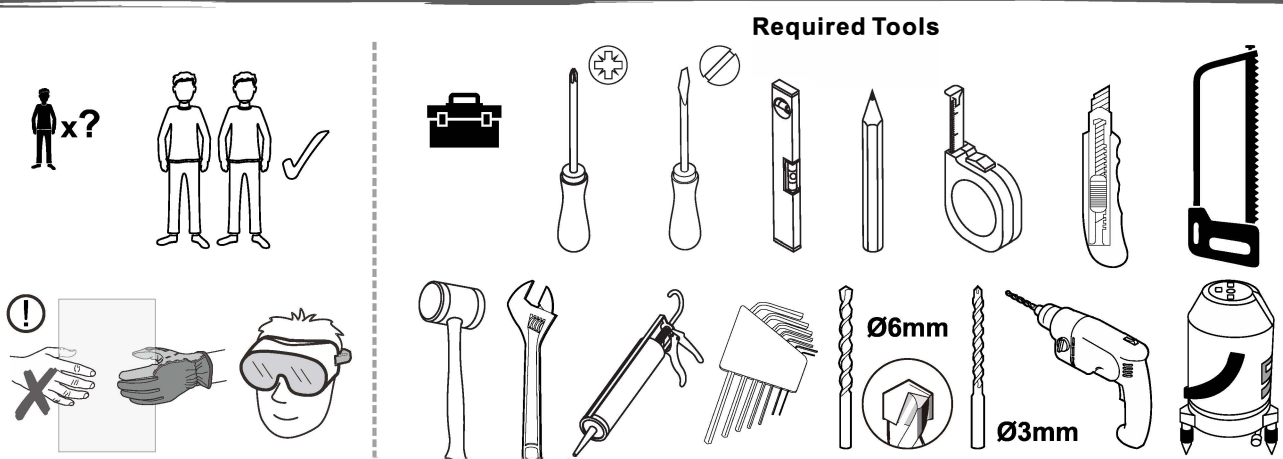
Note: This product is heavy and may require two people to install.

Aftercare instructions

After use, your shower should be cleaned with soap and water. This is particularly important in hard water districts where insoluble lime salts may be deposited and allowed to build up. Cleaners of a gritty or abrasive nature should not be used. Care should be taken to avoid contact with strong chemicals such as organic solvents and strippers.

Glass cleaners can be used but with caution, if in doubt contact the manufacturer of the cleaner in question.

Please keep these instructions for aftercare and customer service details.



1. Tools and Materials Required:

- Prepare the necessary tools, including a level, drill, screwdriver, measuring tape, safety glasses, and a rubber mallet. You will also need silicone sealant and painter's tape for final sealing.

- Check your shower area to ensure it is level and square. If there are any uneven surfaces, they may need to be corrected before proceeding.

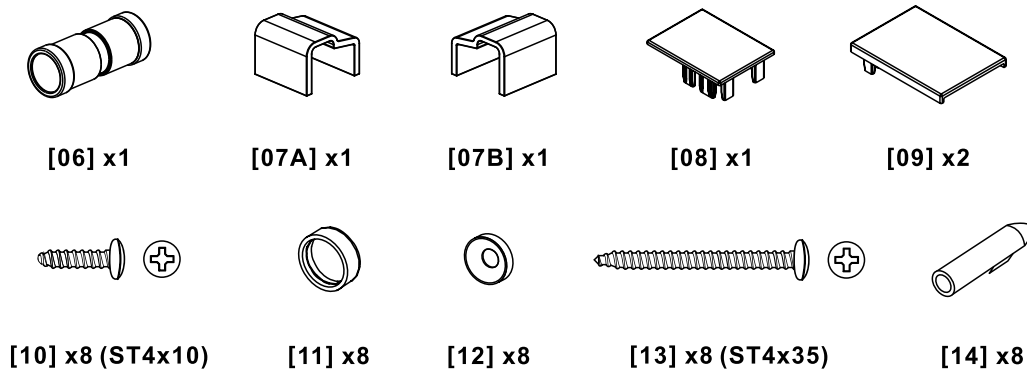
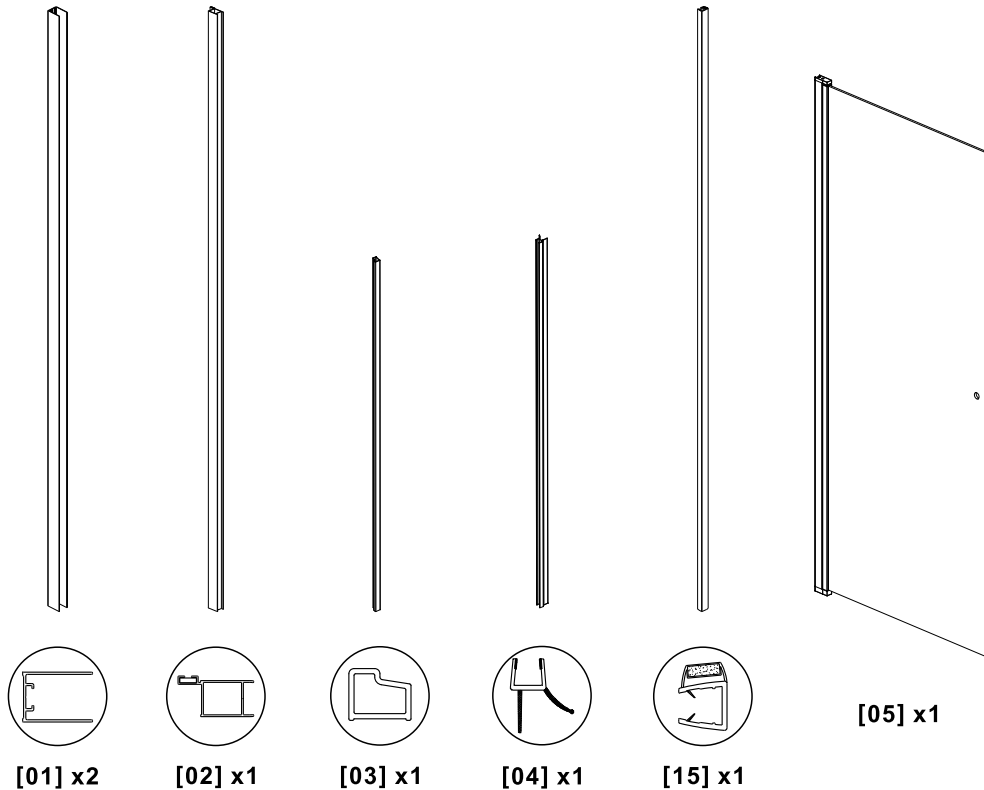


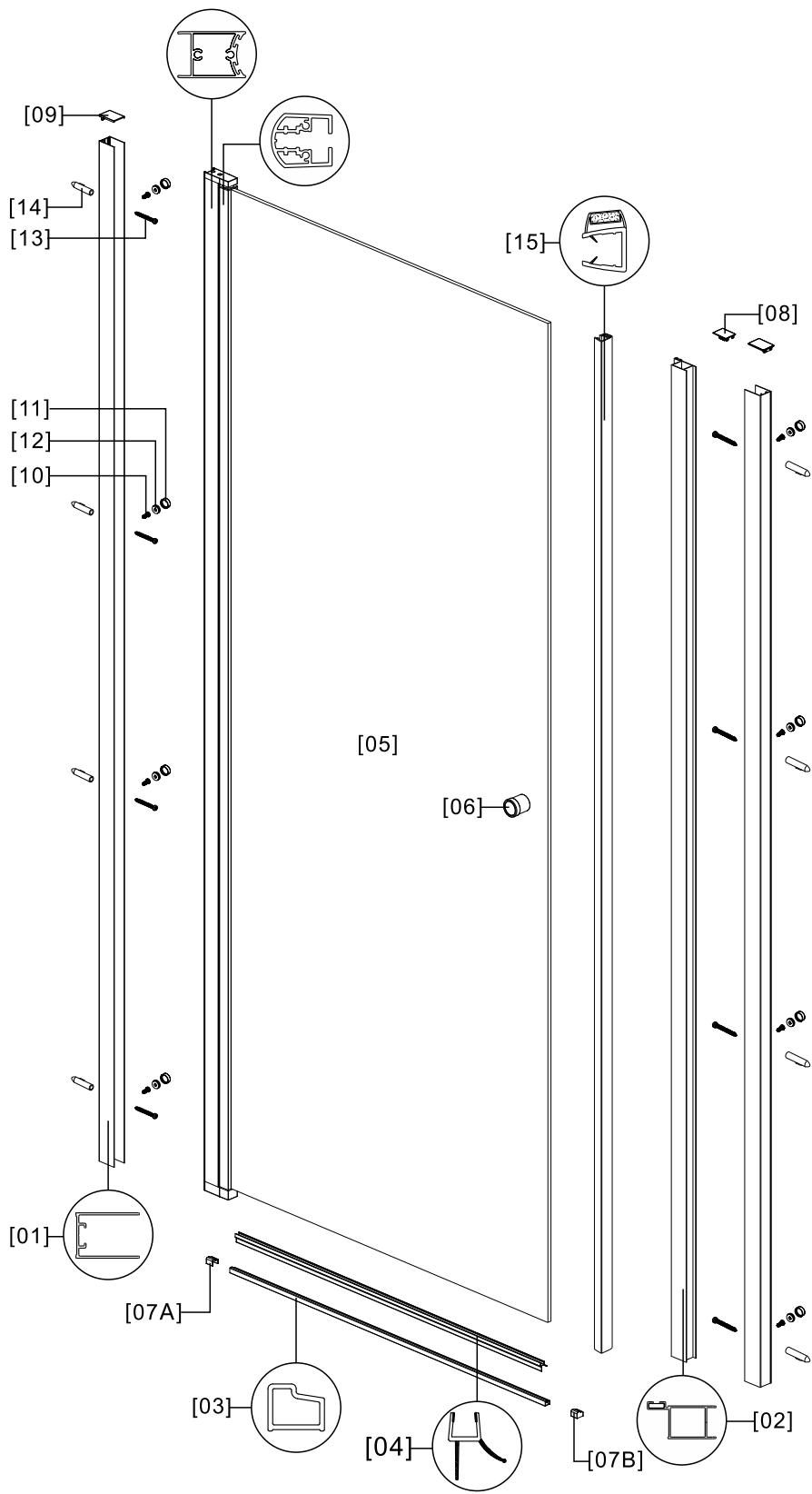
2. Unpack and inspect:

- Before proceeding with the installation, carefully remove all parts with gloves. Make sure you have all the items listed in the installation guide.
- Handle the glass panel carefully to prevent damage.
- Verify that the glass doors are free from any scratches or imperfections before starting the installation.
- If anything is missing or damaged, please contact us and we will help you.

3. Safety Precautions:

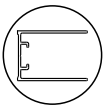
- This product is heavy and may require two people to install.
- Always wear safety glasses when drilling or handling glass.
- Ensure the installation area is clean and free of debris to prevent accidents.
- If installing over a bathtub, be cautious of the edges and surfaces to avoid chipping or cracking the enamel.







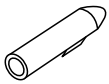
01



[01] x2



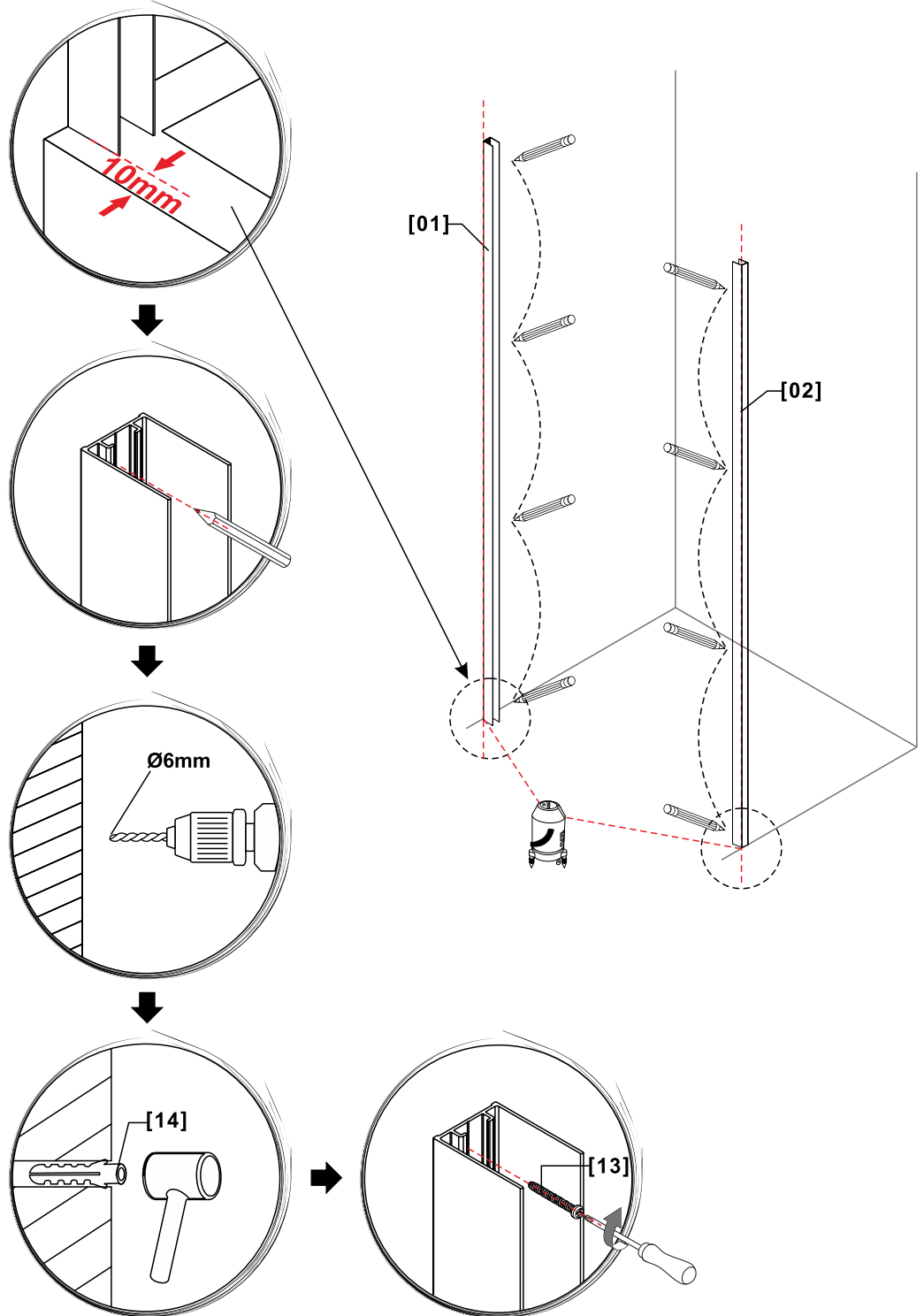
[13] x8 (ST4x35)



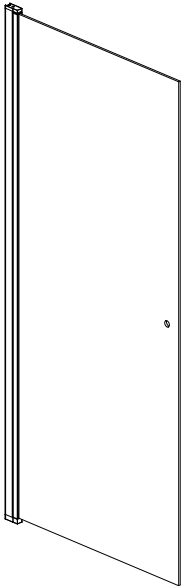
[14] x8

1. Start by placing the two Mounting Rails [01] about 10 millimeters from the edge. Just like it's shown in the figure. Make sure they're vertical. And, you know, mark the drilling positions with a pencil. But, uh, double-check the alignment before you start drilling.

2. After you drill the holes with an electric drill, well, nail in the wall adhesive granules [14]. And, uh, tighten the screws [13] to secure the two mounting rails [01] of the component.

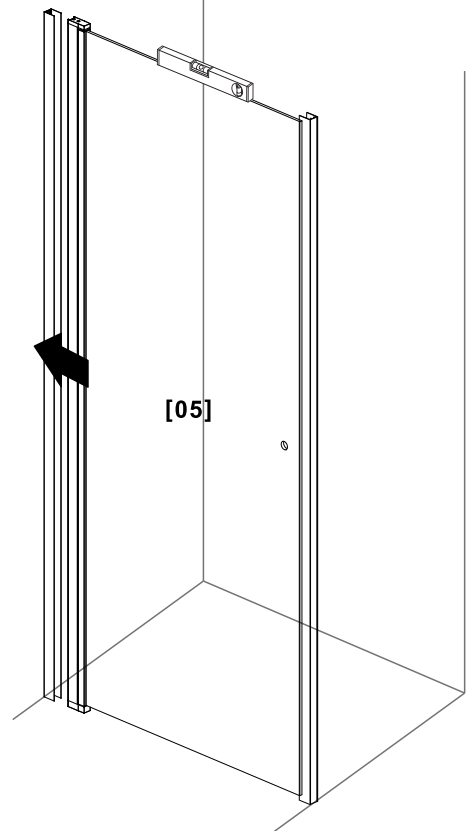
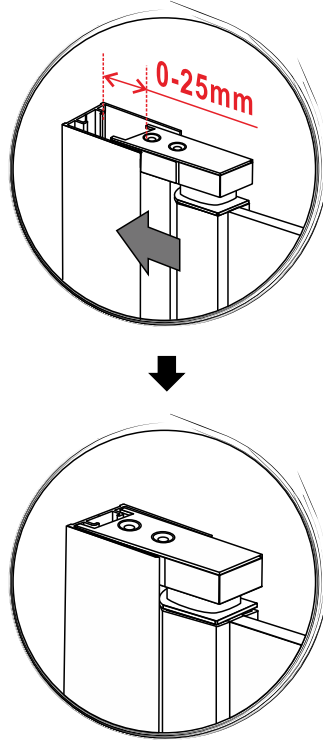


02

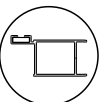


[05] x1

1. Snap the Swing Glass Door [05] into place against the left-hand mounting track [01]. There is 25 mm of jamb adjustment space on the left mounting edge of the door.

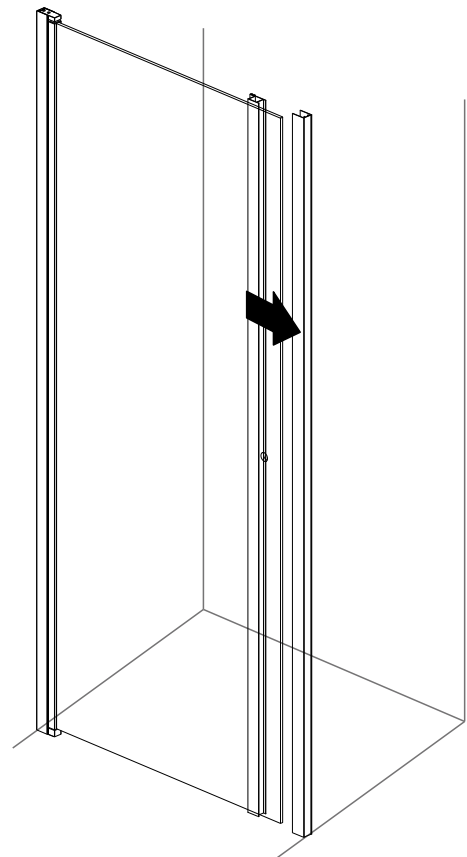
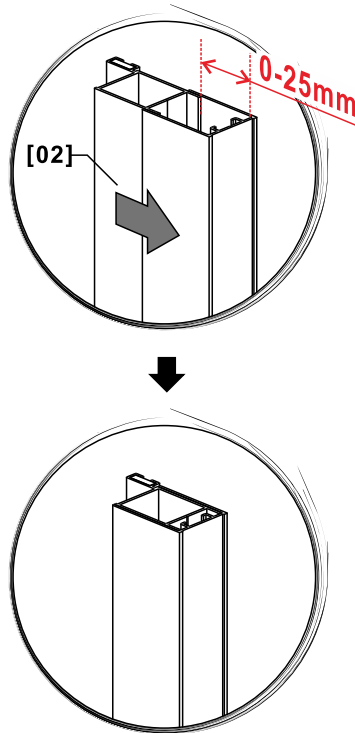


03



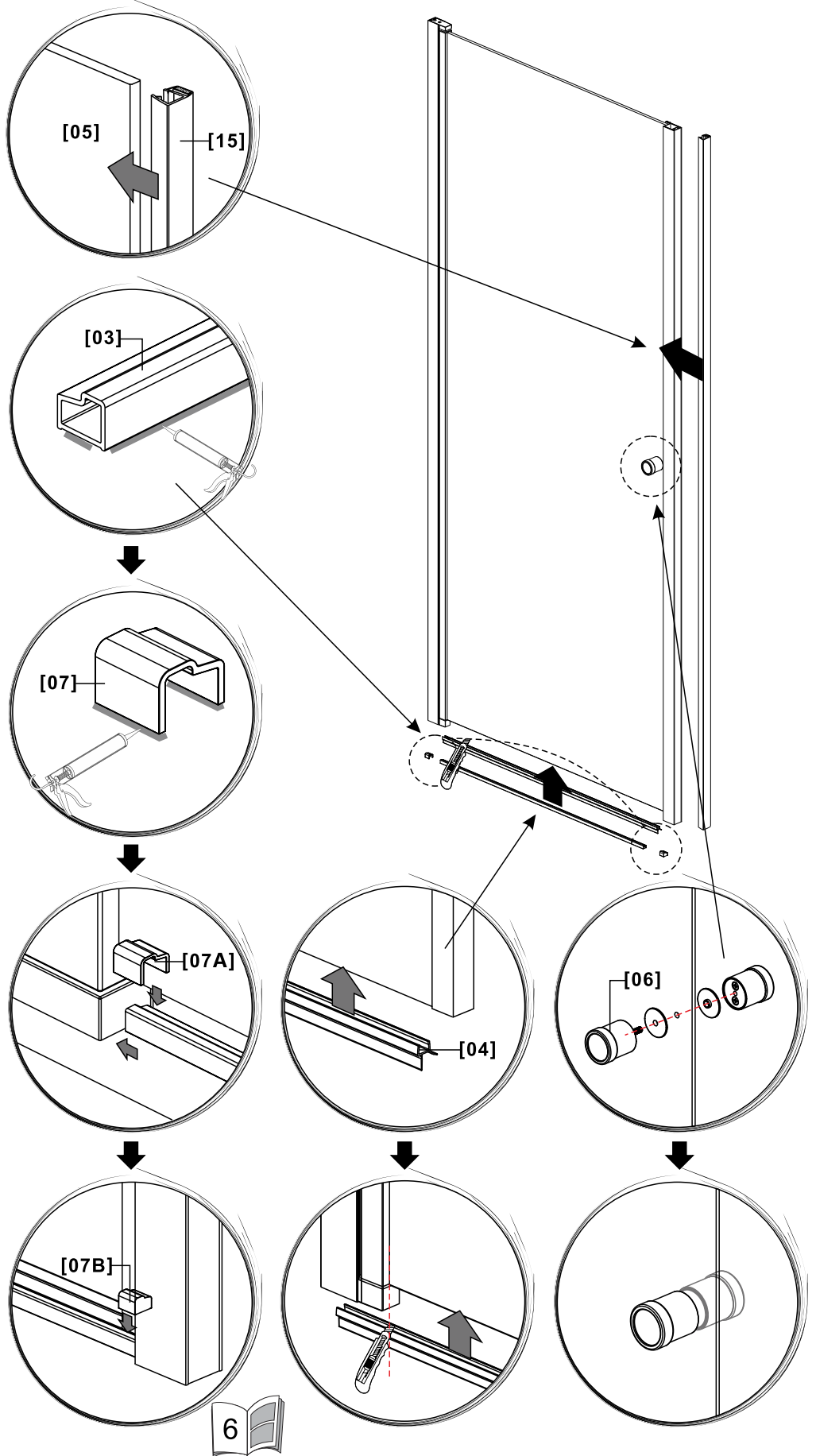
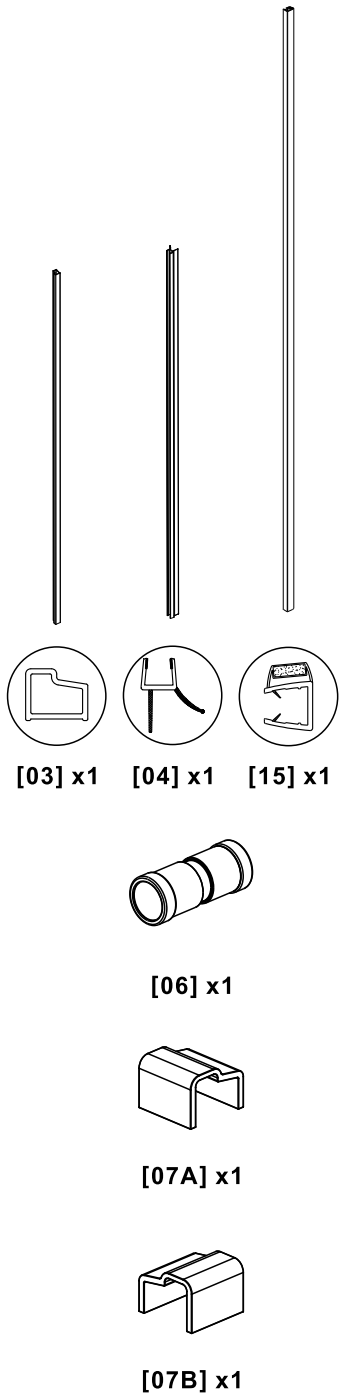
[02] x1

1. Snap the door magnet [02] into place against the right-hand mounting track [01]. There is 25 mm of jamb adjustment space on the right mounting edge of the door.



04

1. Before installing the waterproof frame and adhesive strip, it is necessary to first install and fix the magnetic strip [15] on the glass door.
2. Install the water-blocking aluminum [03] on the bathroom floor, the plug [07A] on the leftmost side of the water-blocking aluminum, and the plug [07B] on the rightmost side of the water-blocking aluminum, and use glass adhesive to fix the above three parts.
3. The under-door adhesive strip [04] is installed underneath the pivoting glass door [05], and the excess adhesive strip needs to be cut according to the width of the glass door.
4. Carry out the installation of the door handle [06], and fix the handle with the shims as well as the screws in the order.



05



[10] x8 (ST4x10)

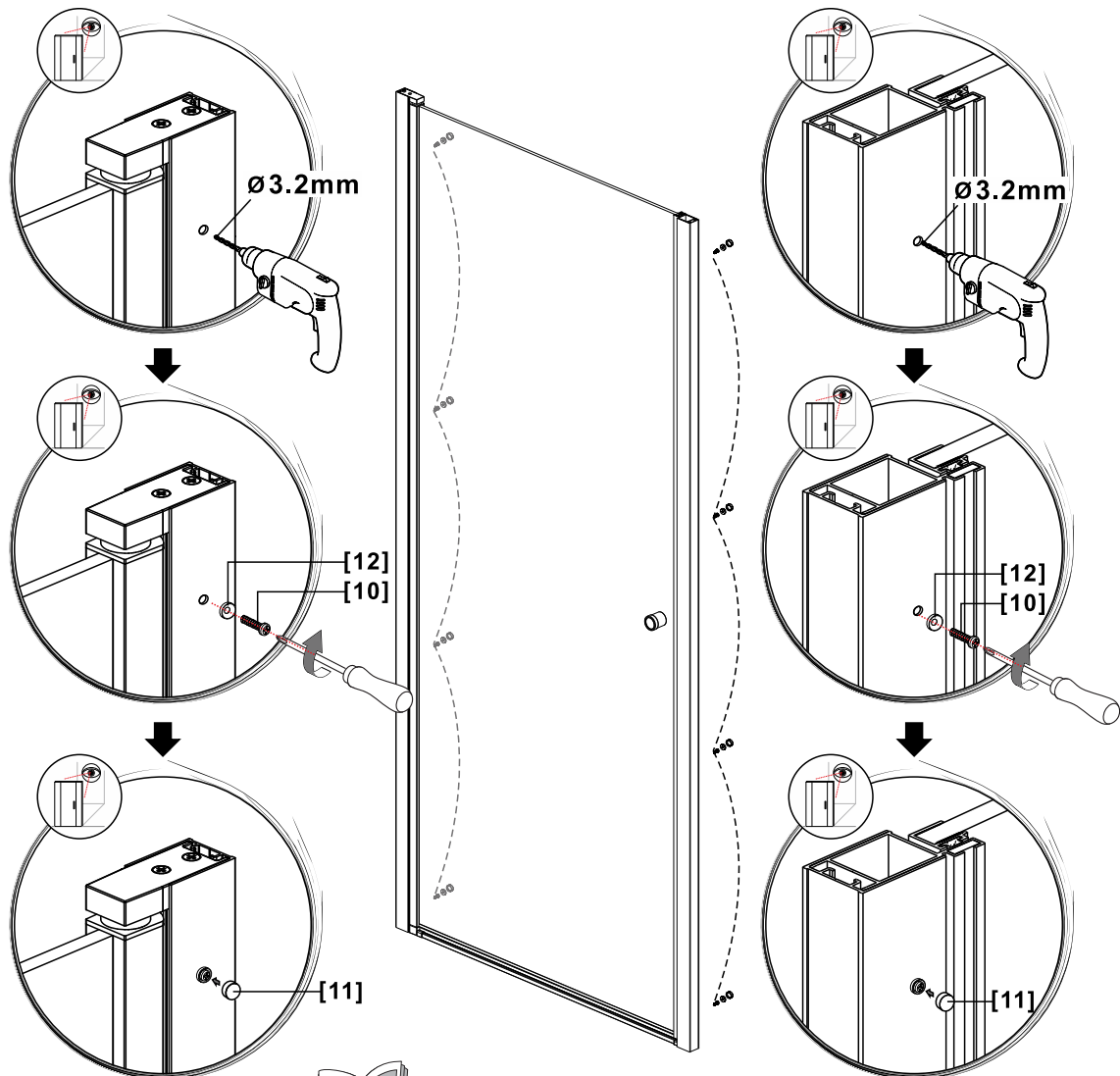
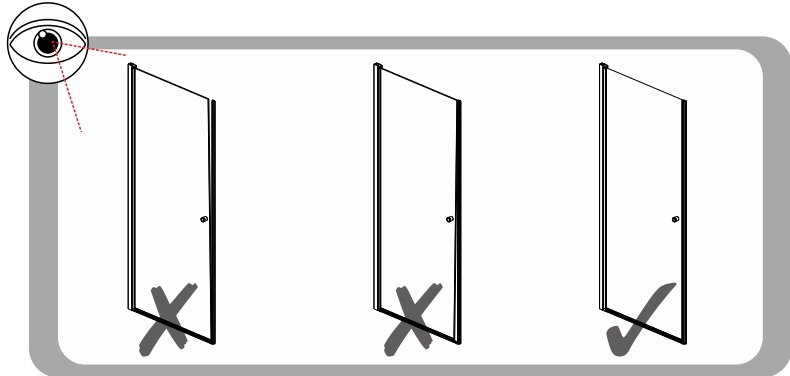
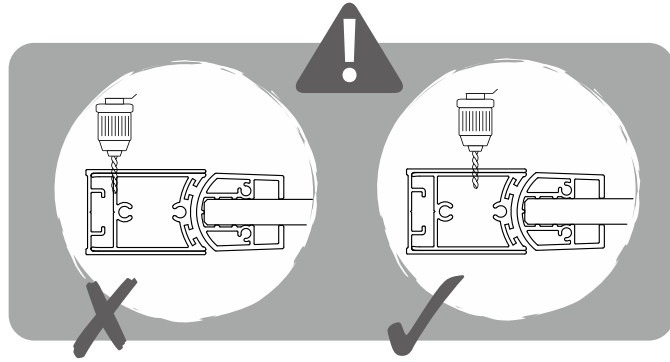


[11] x8

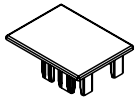


[12] x8

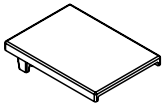
1. Before tightening the screws on both sides of the mounting frame, as shown in the figure, make sure that the glass door and the mounting frame are perpendicular to the same plane, and then use an electric drill to punch holes in the mounting frame as well as lock the screws and cover the screw cover.



06

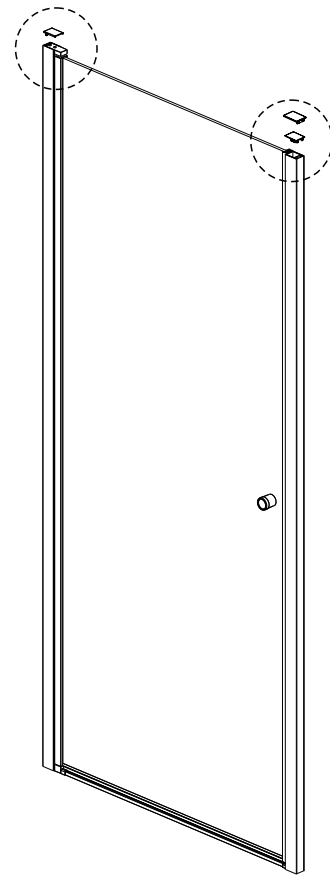
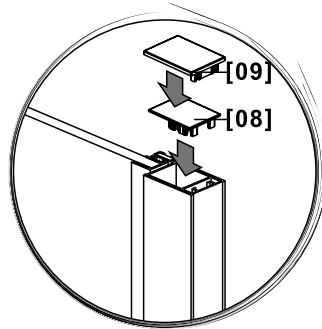
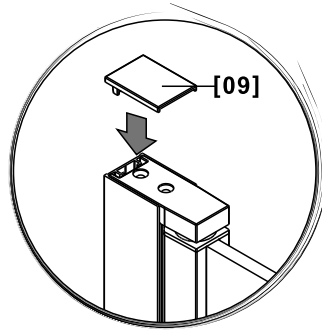


[08] x1



[09] x2

1. Cover the top of the mounting rail on the left side with the wall cover [09], and the mounting rail on the right side first with the wall cover [08] and then with the wall cover [09].



07

1. As shown in the diagram, apply silicone sealant for waterproof sealing.
2. Don't get wet or use it within 24 hours.

