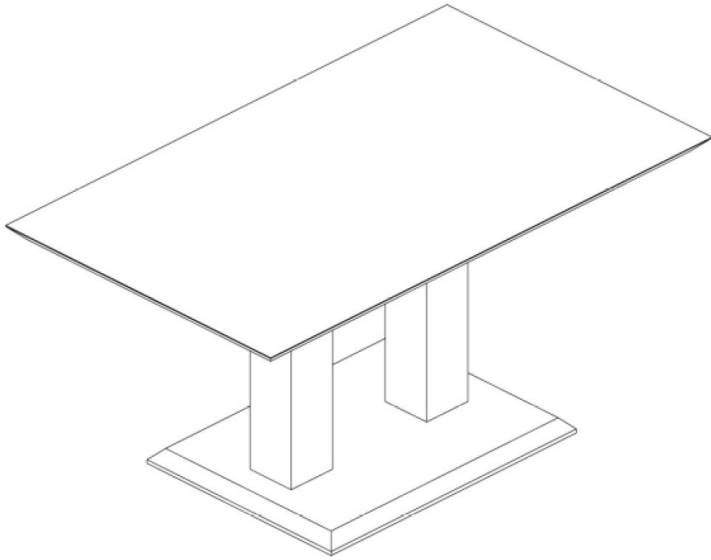


TABLE

ASSEMBLY GUIDE



Important - Please read these instructions fully before starting assembly



**SAFETY AND
CARE ADVICE**



NO POWER TOOLS

SAFETY AND CARE ADVICE

- Check you have all the components and tools listed.
- Remove all fittings from the plastic bags and separate them into their groups.
- We do not recommend the use of power drills/drivers for inserting screws, as this could damage the unit. Only use hand screwdrivers and Allen keys.
- Keep children and animals away from the work area, small parts could cause choking if swallowed.
- Make sure you have enough space to layout the parts before starting.
- Assemble the item as close to its final position (in the same room) as possible.
- Do not overtighten the nuts to avoid causing damage to the threads.
- Only clean using a damp cloth and mild detergent, do not use bleach or abrasive cleaners.
- From time to time check that there are no loose screws on this unit
- This product should not be discarded with household waste. Take to your local authority waste disposal centre

IMPORTANT INFORMATION



45 MINUTE
BUILD



TWO
PERSON

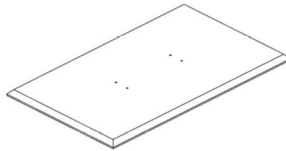


MAXIMUM
CAPACITY 100Kg

PLEASE CHECK CAREFULLY AND MAKE SURE YOU HAVE ALL FITTINGS AND TOOLS LISTED BELOW BEFORE YOU START.

1 x1

Table top



2 x2






Table legs



3 x1

Table base




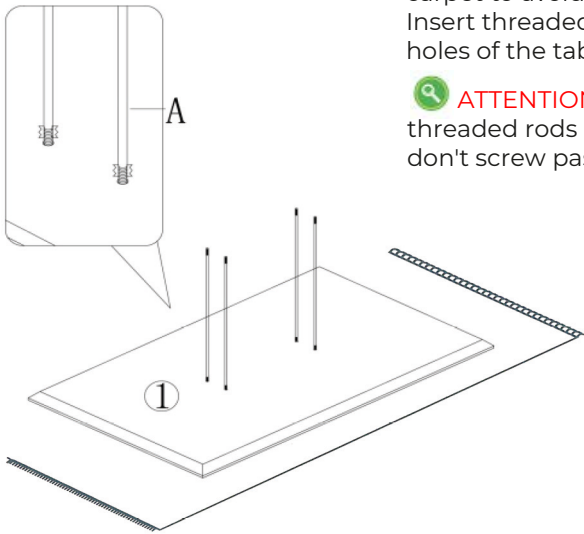
| | | |
|--|--|---|
| <p>(A)</p>  <p>M8x720mm Threaded Rod X4</p> | <p>(B)</p>  <p>M8mm Nut X4</p> | <p>(C)</p>  <p>M8x22mm Metal Washer X4</p> |
| <p>(D)</p>  <p>M14mm Box Spanner X1</p> | <p>(E)</p>  <p>φ30PVC Stickers X4</p> | |

NOTE: The quantities above are the correct amount to complete the assembly. In some cases more fittings may be supplied than are required.

STEP 1

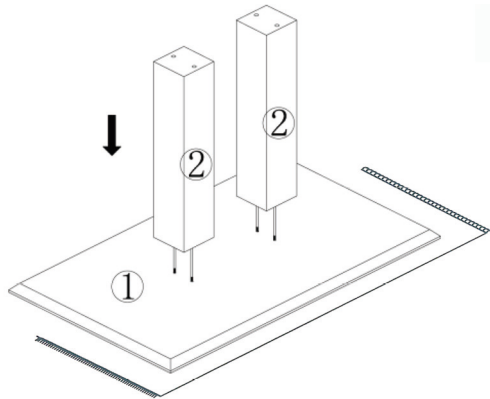
Put the pieces on a flat soft surface e.g. a carpet to avoid scratching or bumping. Insert threaded rods (A) into the assembly holes of the table top (part [1])

 **ATTENTION:** Be careful to always insert the threaded rods into the table stopper-end first & don't screw past the stopper

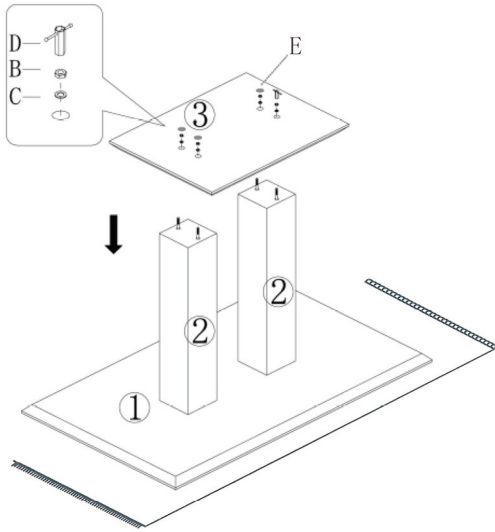


STEP 2

Place the table legs (part [2]) over the threaded rods as shown.

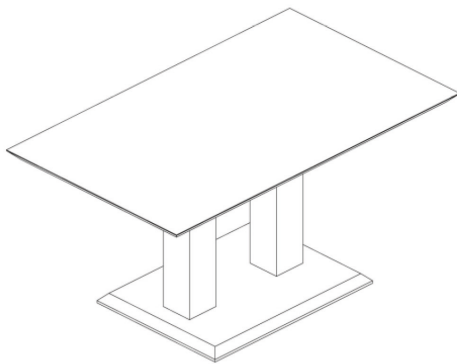


FULL ASSEMBLY INSTRUCTIONS



STEP 3

Attach the table base (part [3]) to the table legs. Secure using fixings (C) and (b), using the Box Spanner (D) to tighten. Once fully tightened cover the holes with Stickers (E)



STEP 4

Assembly completion

ATTENTION: With the help of another person, carefully turn the table over to complete assembly. Your table is now ready to use.



OUR 1 YEAR GUARANTEE

our products come with a 1 year guarantee to give you peace of mind shopping



WHAT THE GUARANTEE COVERS



PRE-INSERTED FIXINGS
e.g. lose metal threads



FAULTY JOINTS
e.g. legs bending



EXTERNAL FIXING FAULTS
e.g. metal discs removing
from table top



STRUCTURAL INTEGRITY
e.g. the frame of the
product