

Assembly Instruction

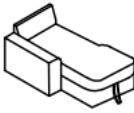



(1/3) Left Side Chaise with Hidden Storage



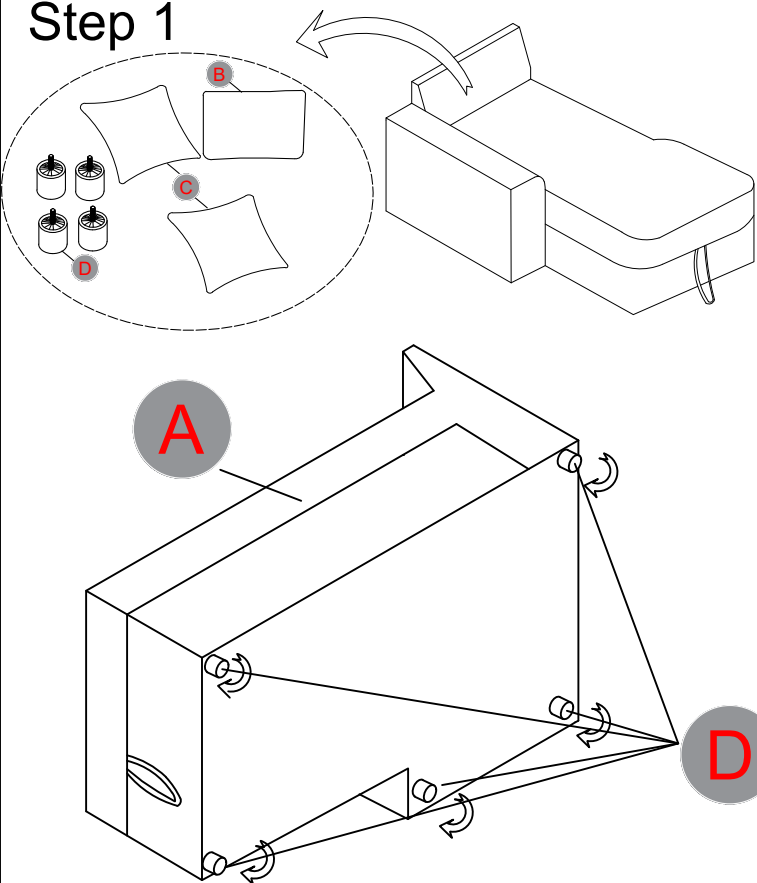
Back cushions, pillows & Legs are located on the seat, please take out them for assembly.

Note: Do not use power tools for assembly. Power tools increase the risk of over tightening which lead to splitting or cracking the wood.

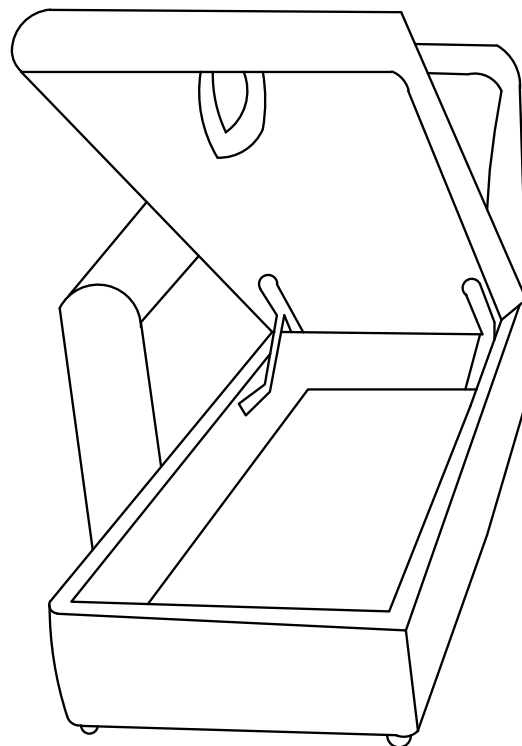
Component list

NO	Drawing	Qty	Description
A		1	Chaise
B		1	Back Cushion
C		2	Pillow (19"×19")
D		5	Plastic Leg (Ø60*40mm)

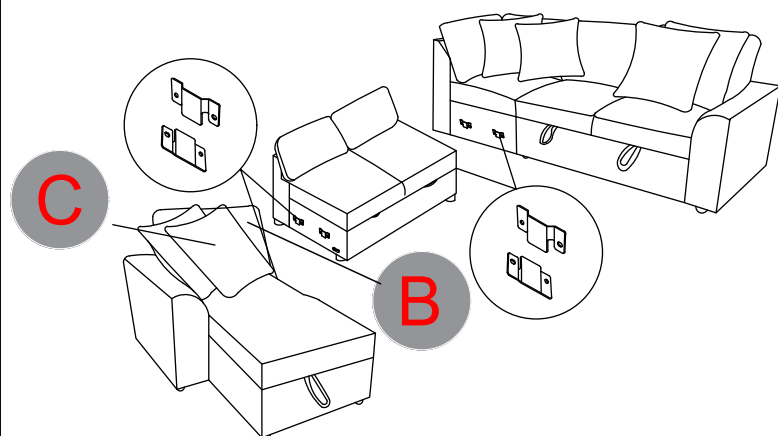
Step 1



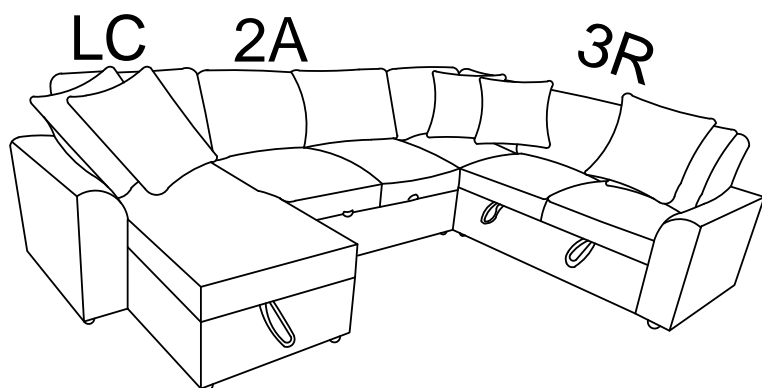
Step 2



Step 3



ALL IN 1 SET



Care Instruction for Chenille Furniture:

In order to maintain the original appearance of your Chenille Furniture please follow below simple care procedures:

- Avoid exposing furniture directly to sunlight or heating and air conditioning outlets. Sunlight and or exposure to heating and air conditioning outlets will fade/damage Chenille
- Vacuum or wipe with a soft cloth to remove dust.
- Hardware may loosen over time. Periodically check to make sure all connection are tight, Re-tighten if necessary



For items use on wooden floor, hard surfaces or carpets, it is recommended to Install protective pads under all legs and supports to avoid/prevent from damages/scratches and discoloration.

Assembly Instruction

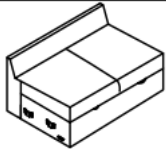


(2/3) Armless 2-Seater with Pull-out Bed



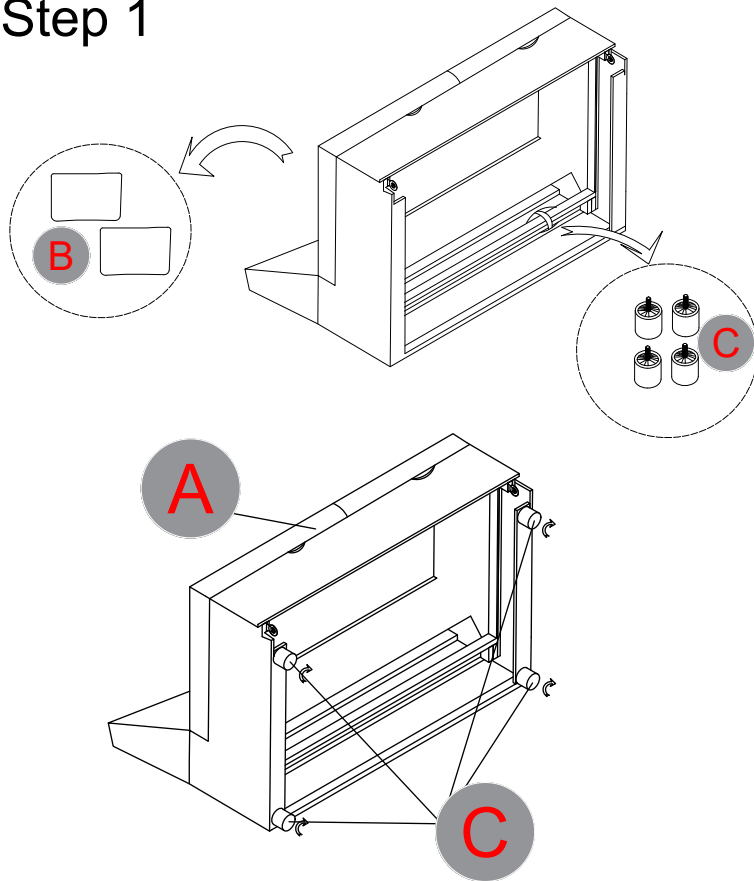
Back cushions are located on the seat, legs are stored at the bottom of 2-Seater for assembly.

Note: Do not use power tools for assembly. Power tools increase the risk of over tightening which lead to splitting or cracking the wood.

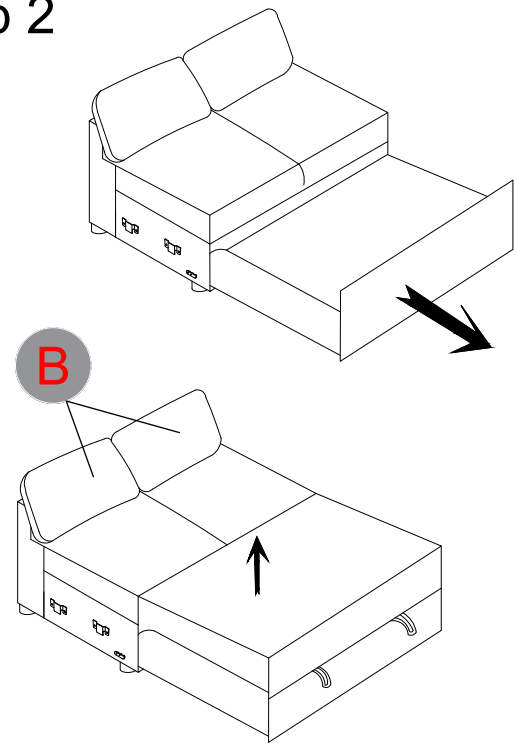
Component list

NO	Drawing	Qty	Description
A		1	2-Seater
B		2	Back Cushion
C		4	Plastic Leg (Ø60*40mm)

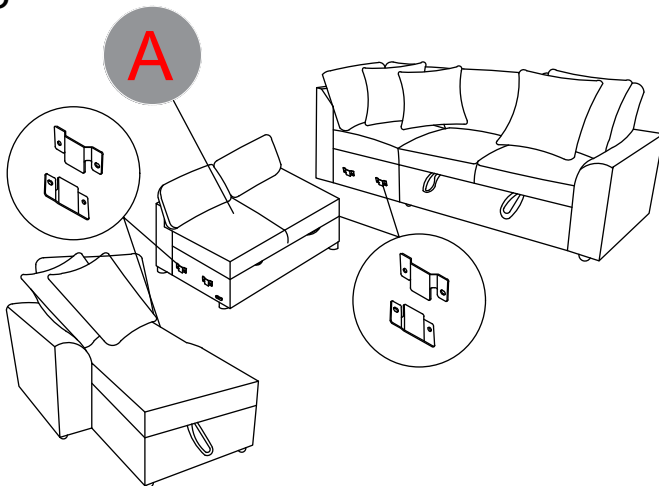
Step 1



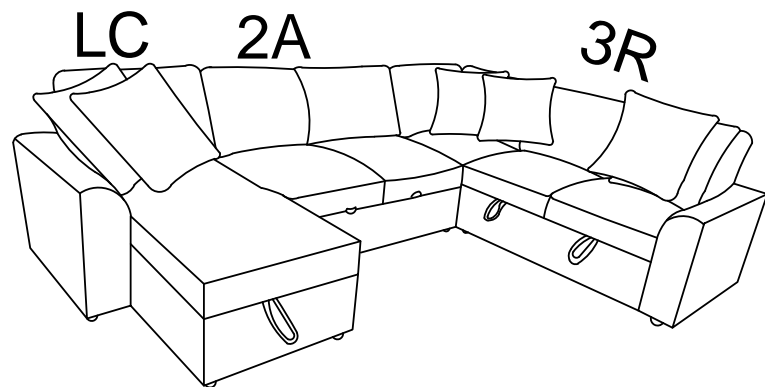
Step 2



Step 3



ALL IN 1 SET



Care Instruction for Chenille Furniture:

In order to maintain the original appearance of your Chenille Furniture please follow below simple care procedures:

- Avoid exposing furniture directly to sunlight or heating and air conditioning outlets. Sunlight and or exposure to heating and air conditioning outlets will fade/damage Chenille
- Vacuum or wipe with a soft cloth to remove dust.
- Hardware may loosen over time. Periodically check to make sure all connection are tight, Re-tighten if necessary



For items use on wooden floor, hard surfaces or carpets, it is recommended to Install protective pads under all legs and supports to avoid/prevent from damages/scratches and discoloration.

Assembly Instruction

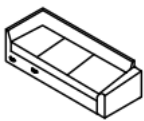





(3/3) Right Side Corner Sofa with Hidden Storage



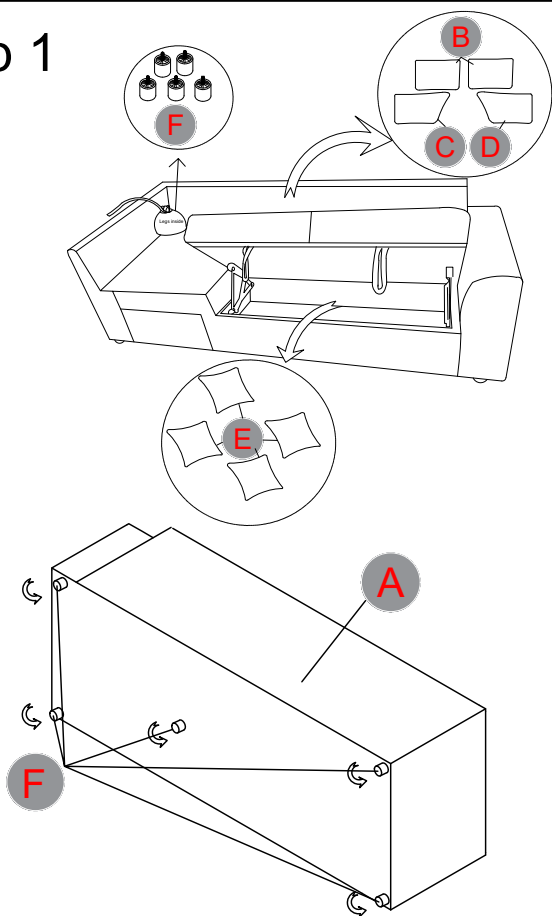
Pillows are located in the hidden storage, back cushions & legs are stored on the sofa seat for assembly.

Note: Do not use power tools for assembly. Power tools increase the risk of over tightening which lead to splitting or cracking the wood.

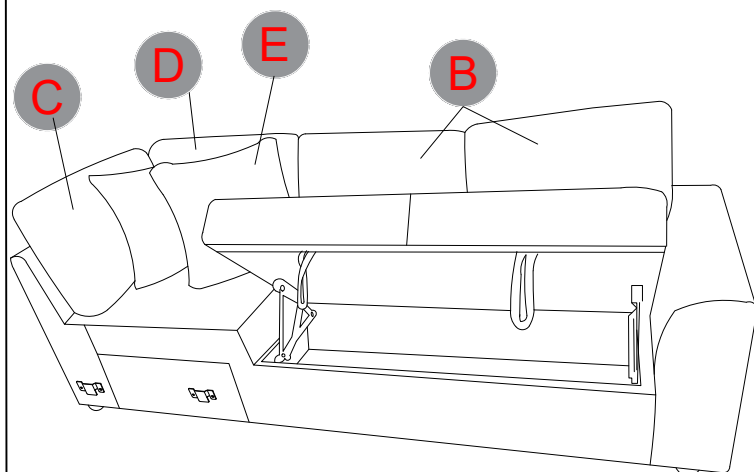
Component list

NO	Drawing	Qty	Description
A		1	Sofa
B		2	Sofa Back Cushion
C		1	LSF Corner Cushion
D		1	RSF Corner Cushion
E		4	Pillow (19"×19")
F		5	Plastic Leg (Ø60*40mm)

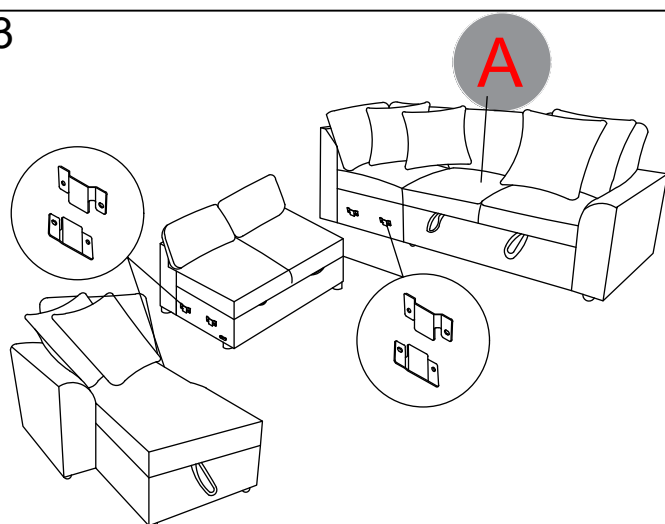
Step 1



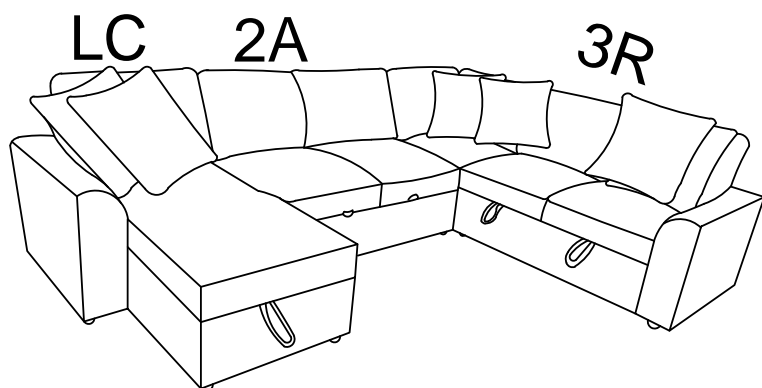
Step 2



Step 3



ALL IN 1 SET



Care Instruction for Chenille Furniture:

In order to maintain the original appearance of your Chenille Furniture please follow below simple care procedures:

- Avoid exposing furniture directly to sunlight or heating and air conditioning outlets. Sunlight and or exposure to heating and air conditioning outlets will fade/damage Chenille
- Vacuum or wipe with a soft cloth to remove dust.
- Hardware may loosen over time. Periodically check to make sure all connection are tight, Re-tighten if necessary



For items use on wooden floor, hard surfaces or carpets, it is recommended to Install protective pads under all legs and supports to avoid/prevent from damages/scratches and discoloration.