

NOTICE

*Please make sure that you have all part indicated and they are in good condition before you begin assembly of this item. Refer to part list and hardware list below for guidance.

*This item should be assembled on a soft surface to prevent scratching the finish during assembly.

*This item may require periodic tightening.

*If you are having difficulty, our friendly Customer Care team is always here to help. Please email customersupport@safavieh.com

PREPARATION

*Before beginning assembly of product, make sure all part are present. Compare part with part contents list and hardware contents list.

*If any part is missing or damaged, do not attempt to assemble the product.

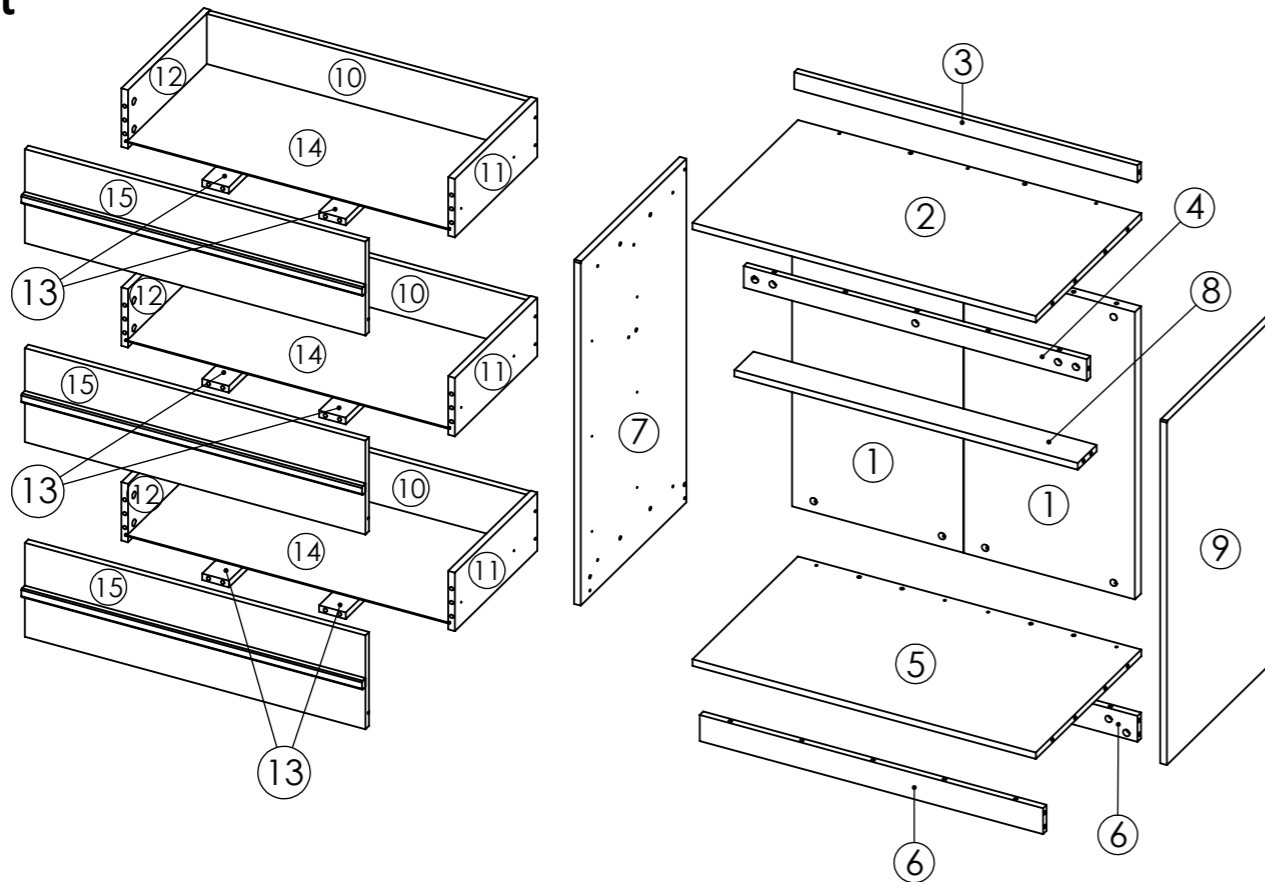
*Estimated Assembly Time: 60 minutes.

*Tools Required for Assembly (Not included): Screwdriver

CARE AND MAINTENANCE

Always use felt pads under all articles to prevent discoloration or softening of the lacquer. Plastic and rubber bases on items can discolor wood. Wipe up spills immediately and avoid common hazards such as hot dishes, harsh solvents and abrasives. Cleaning should be done with a soft lint free cotton cloth dampened with water or furniture polish. On highly used surfaces we recommend applying a quality paste wax which should be used on a regular basis to provide additional protection from scratches and spills. How often you apply the wax depends on how much wear the furniture receives.

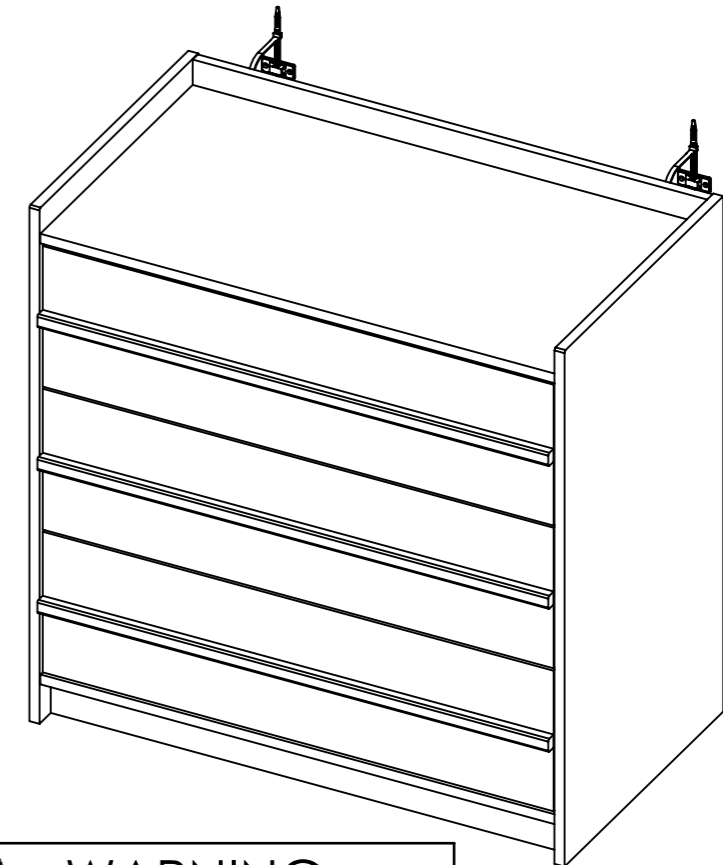
Part List




 **SAFAVIEH**
FURNITURE

Model# CHS3101A

Product Dimensions: W 31.49" x D 17.71" x H 31.49"



 **WARNING**

WEIGHT CAPACITY
Top Load Limit : 37 lbs
Drawer Load Limit: 15 lbs

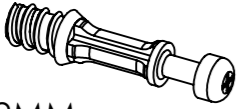
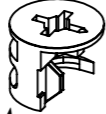



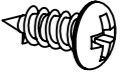
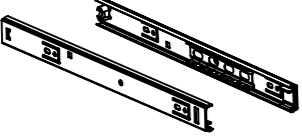
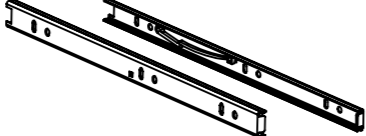



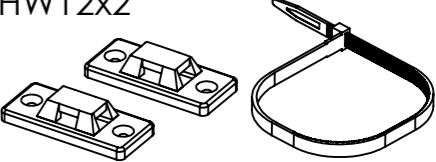
 **WARNING**

Children have died from furniture tipover. To reduce the risk of furniture tipover:

- ALWAYS install Anti-tip device provided.
- NEVER put a TV on this product.
- NEVER allow children to stand, climb or hang on drawers, doors, or shelves.
- NEVER open more than one drawer at a time.
- Place heaviest items in the lowest drawers.

This is a permanent label. Do not remove!

Hardware List

<p>HW1x53</p>  <p>Ø6x32MM</p>	<p>HW2x53</p>  <p>Ø15x12MM</p>	<p>HW3x54</p>  <p>Ø8x32MM</p>	<p>HW4x21</p>  <p>Ø7x32MM</p>	<p>HW5x4</p>  <p>Ø6x15MM</p>	<p>HW6x24</p>  <p>Ø6x12MM</p>
<p>HW7x6</p> 	<p>HW8x6</p> 	<p>HW9x22</p>  <p>Ø20MM</p>	<p>HW10x4</p>  <p>Ø10x50MM</p>	<p>HW11x4</p>  <p>Ø8MM</p>	<p>HW12x2</p> 

Part List & HW

Piece	Description	Qty	Carton Call
1	Back Panel	2	1 of 1
2	Top Panel	1	1 of 1
3	Plint Upper	1	1 of 1
4	Panel Support Top	1	1 of 1
5	Bottom Panel	1	1 of 1
6	Plint Lower	2	1 of 1
7	Left Side Panel	1	1 of 1
8	Panel Support	1	1 of 1
9	Right Side Panel	1	1 of 1
10	Drawer Back	3	1 of 1
11	Right Side Drawer	3	1 of 1
12	Left Side Drawer	3	1 of 1
13	Drawer Base Support	6	1 of 1
14	Drawer Base	3	1 of 1
15	Front Drawer	3	1 of 1

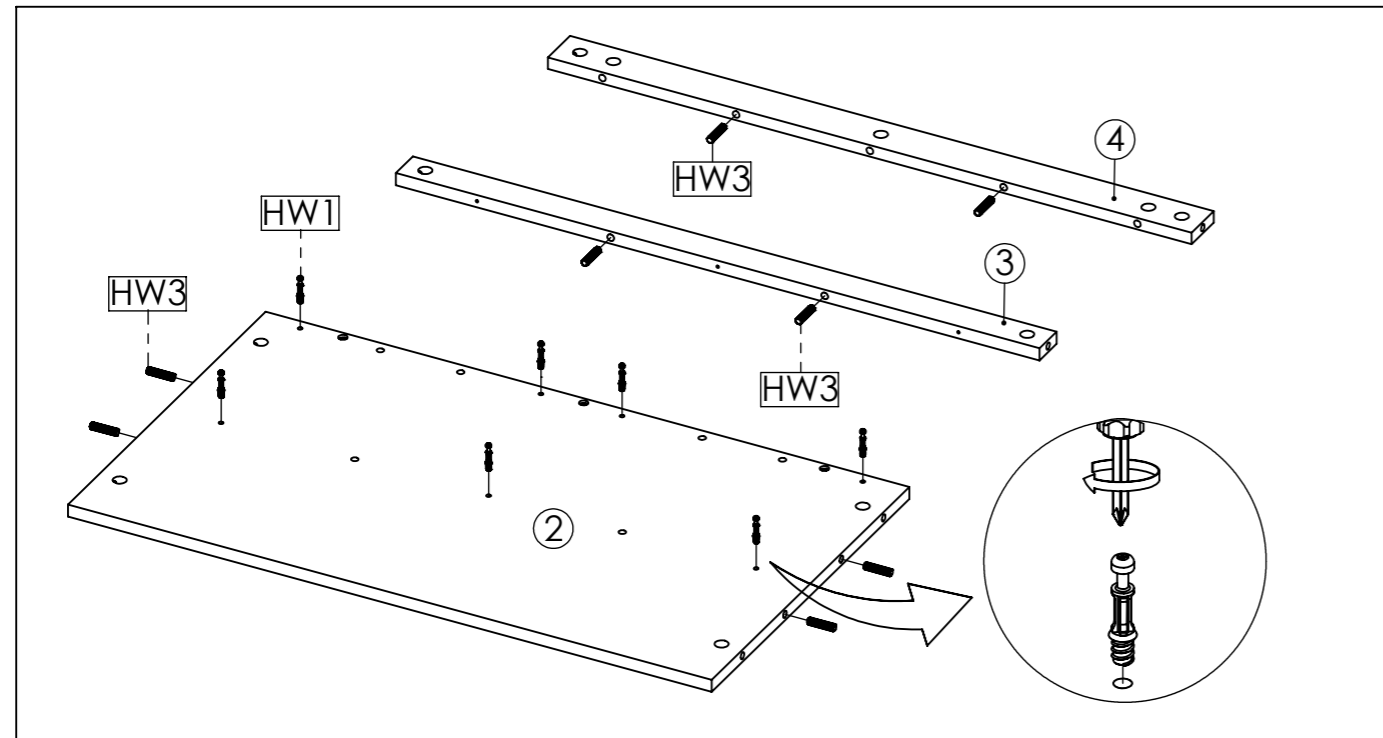
Piece	Description	Qty	Carton Call
HW1	Cambolt	53	1 of 1
HW2	Camlock Ø15x12 mm	53	1 of 1
HW3	Wooden Dowel Ø8	54	1 of 1
HW4	Screw M7 x 32 mm	21	1 of 1
HW5	Screw M6 x 15 mm	4	1 of 1
HW6	Screw M6 x 12 mm (PH)	24	1 of 1
HW7	Metal Runner 1	6	1 of 1
HW8	Metal Runner 2	6	1 of 1
HW9	Cover Cap Sticker	22	1 of 1
HW10	Screw M10 x 50 mm	4	1 of 1
HW11	Fisher "S" 8	4	1 of 1
HW12	Anti-tip	2	1 of 1

PREPARATION

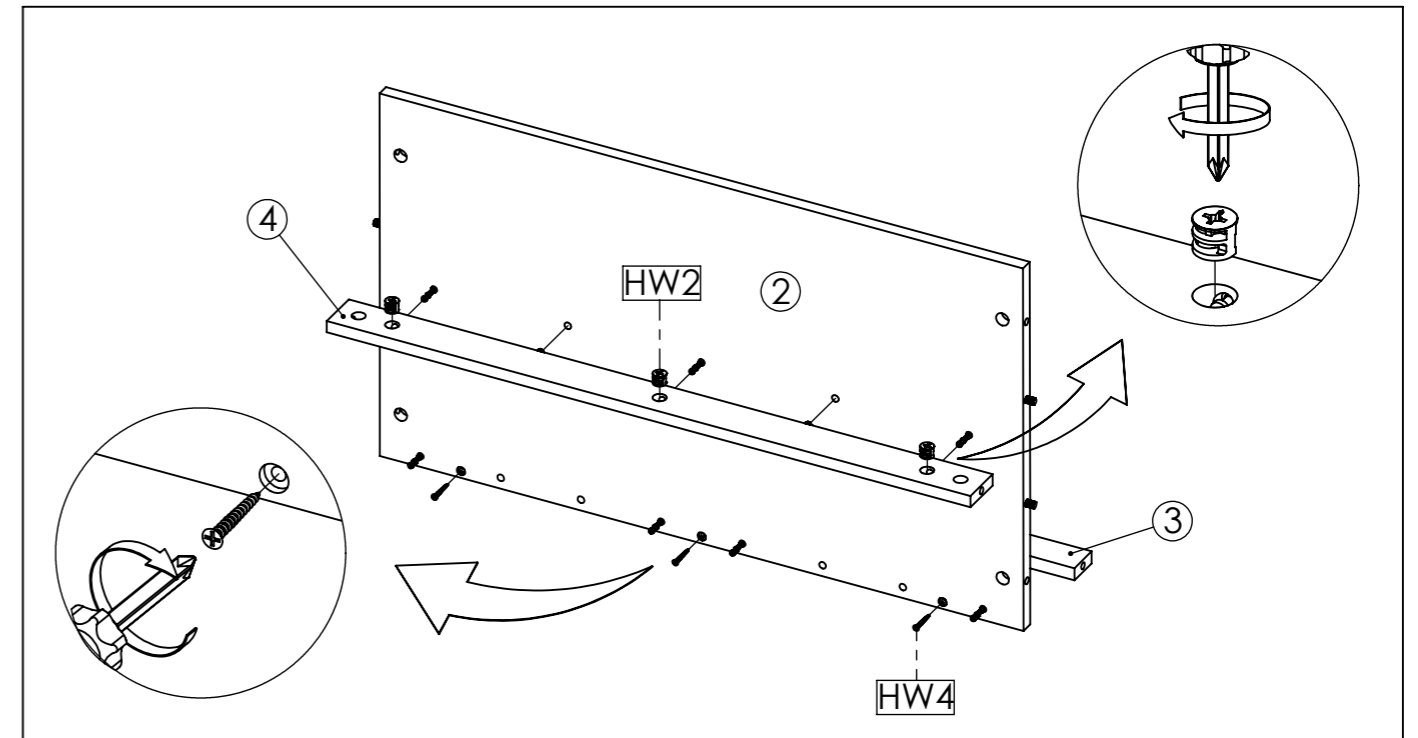
Before beginning assembly of product, make sure all part are present. Compare part with part contents list and hardware contents list.

If any part is missing or damaged, do not attempt to assemble the product.

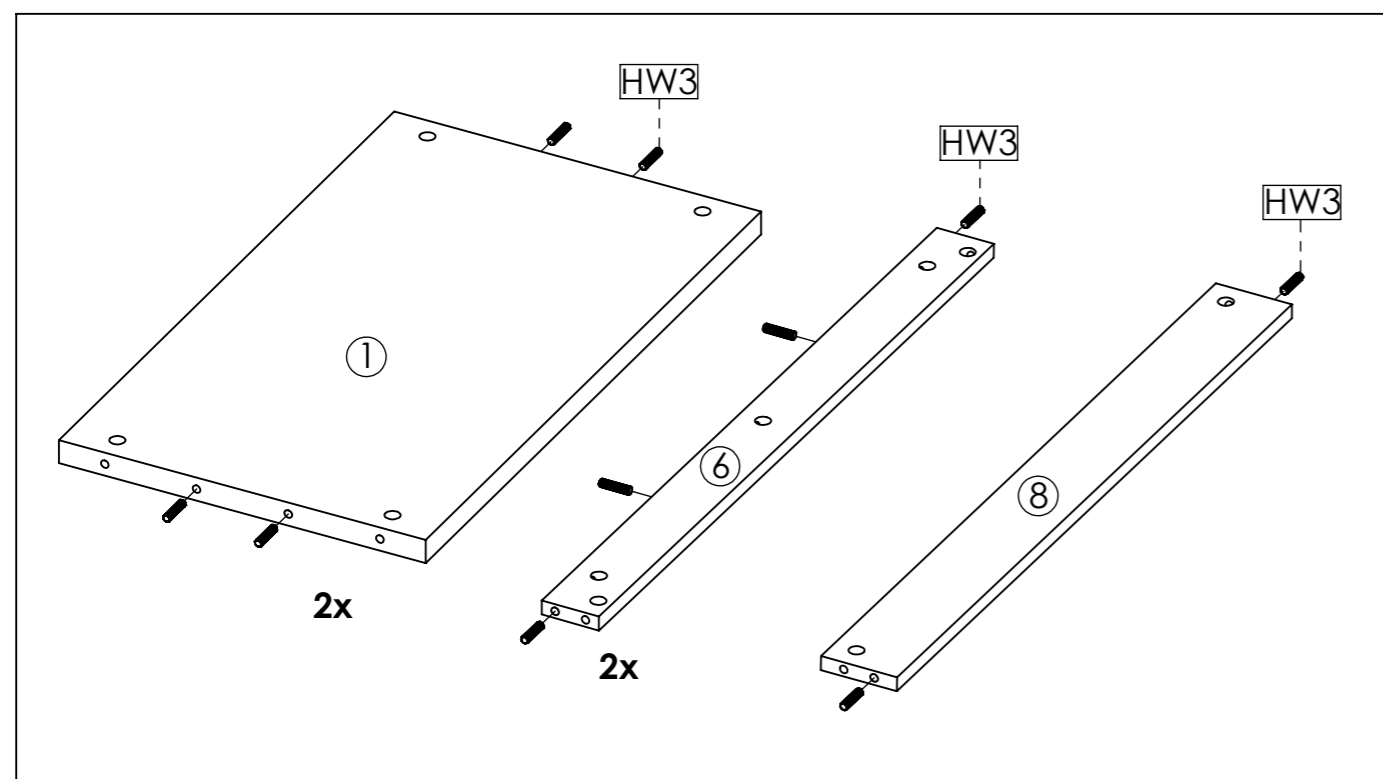
Estimated Assembly Time: 60 minutes.



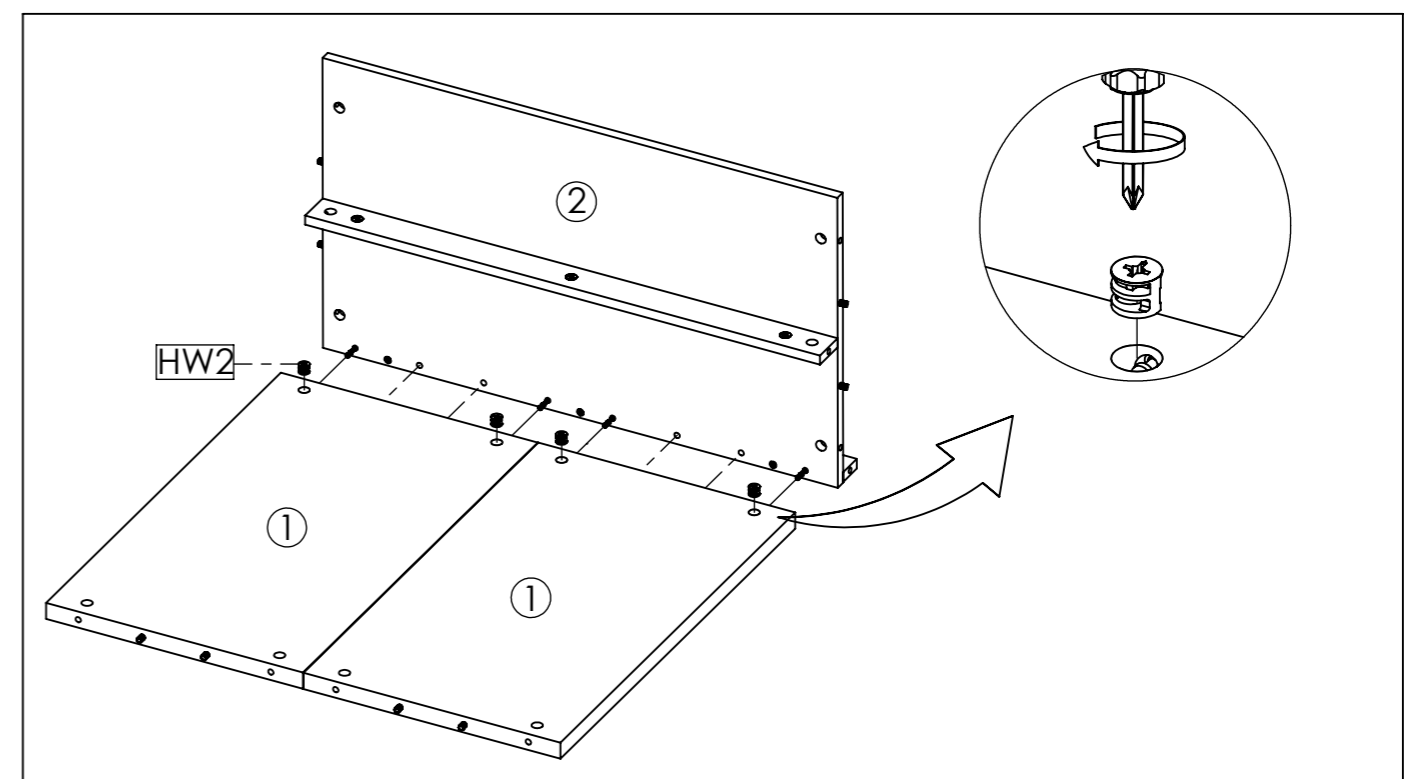
STEP1: Insert Cambolt (HW1) Into Top Panel (2).
Insert Wooden Dowel (HW3) Into Top Panel (2), Plint Upper (3) And Panel Support Top (4).



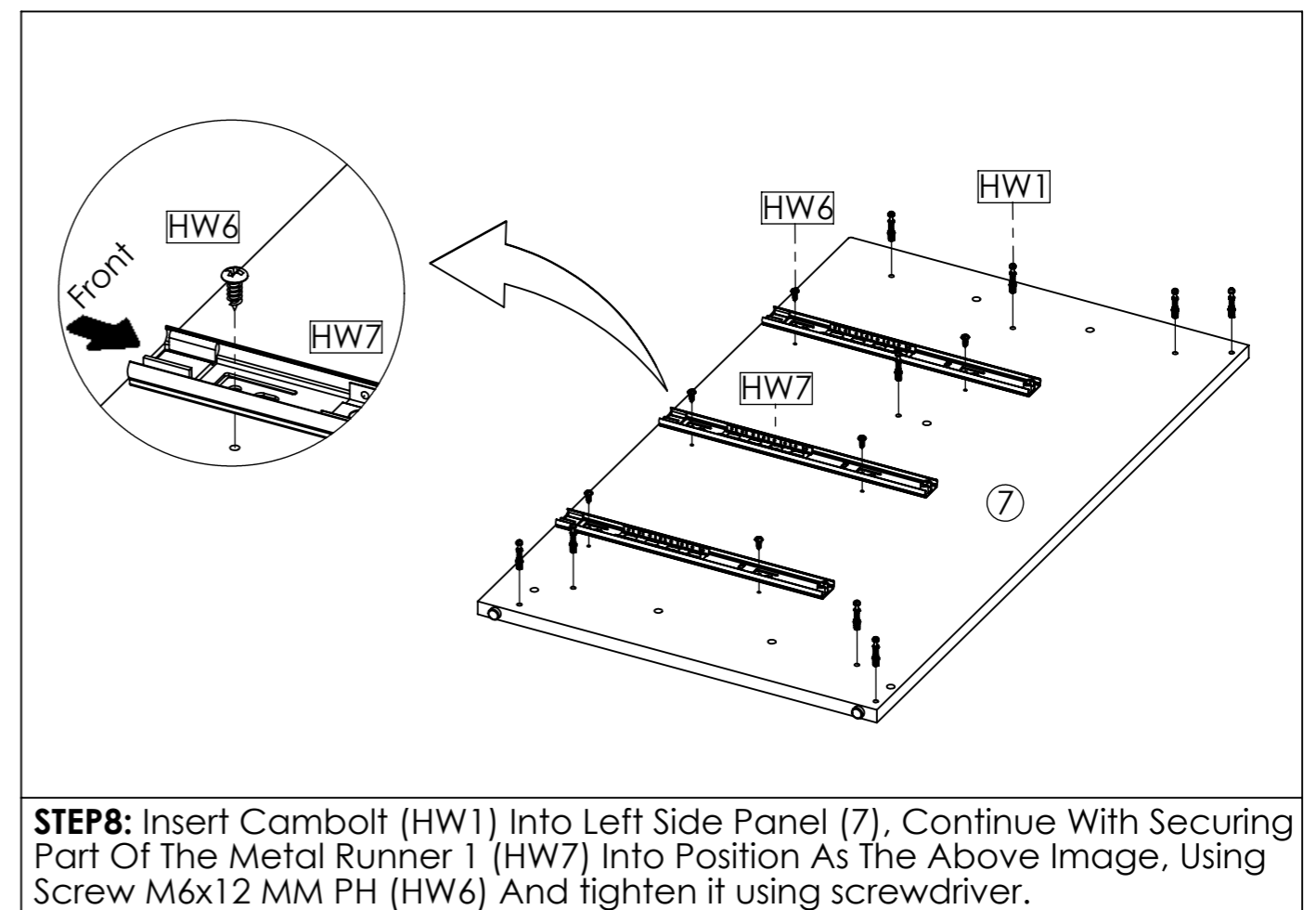
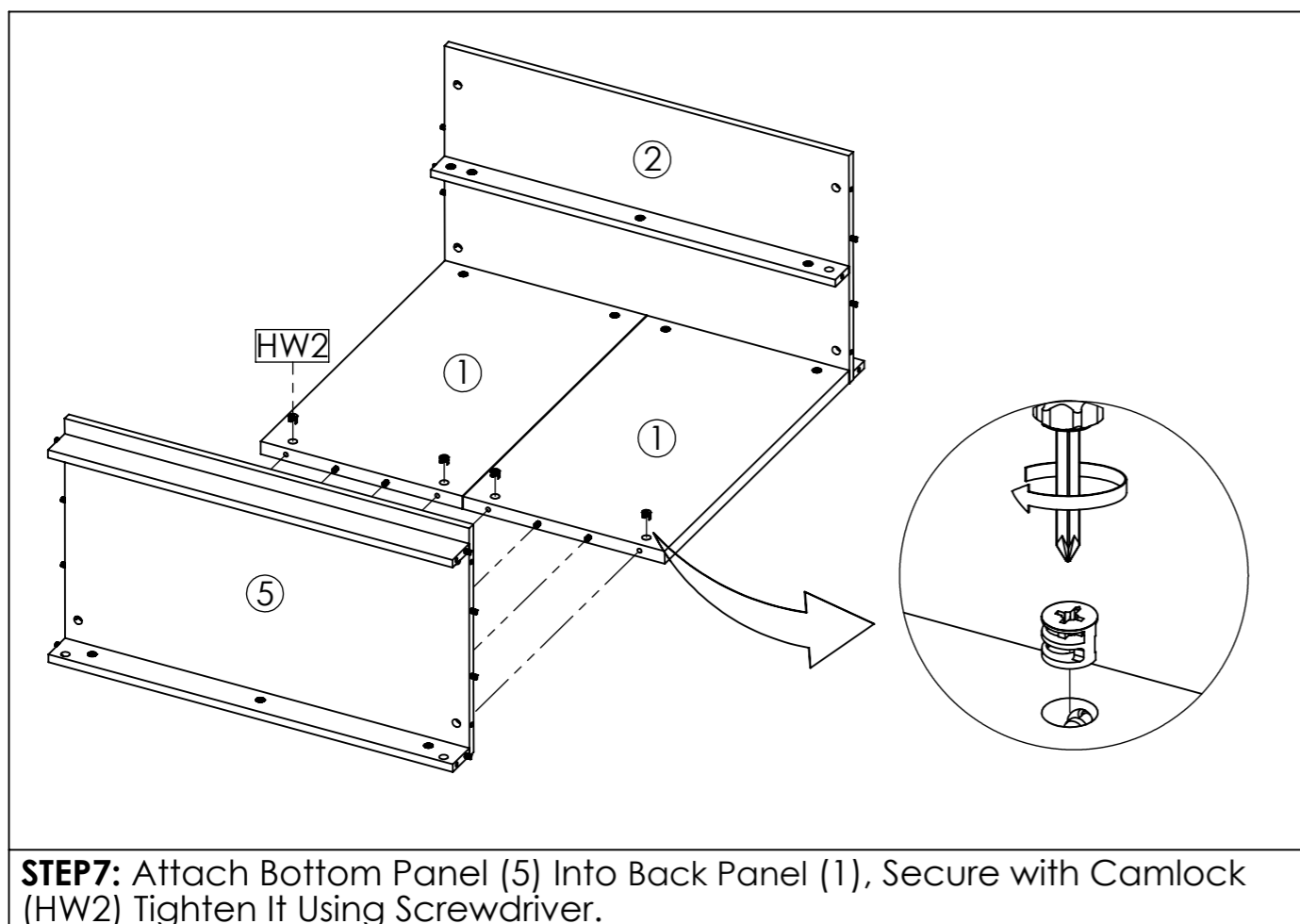
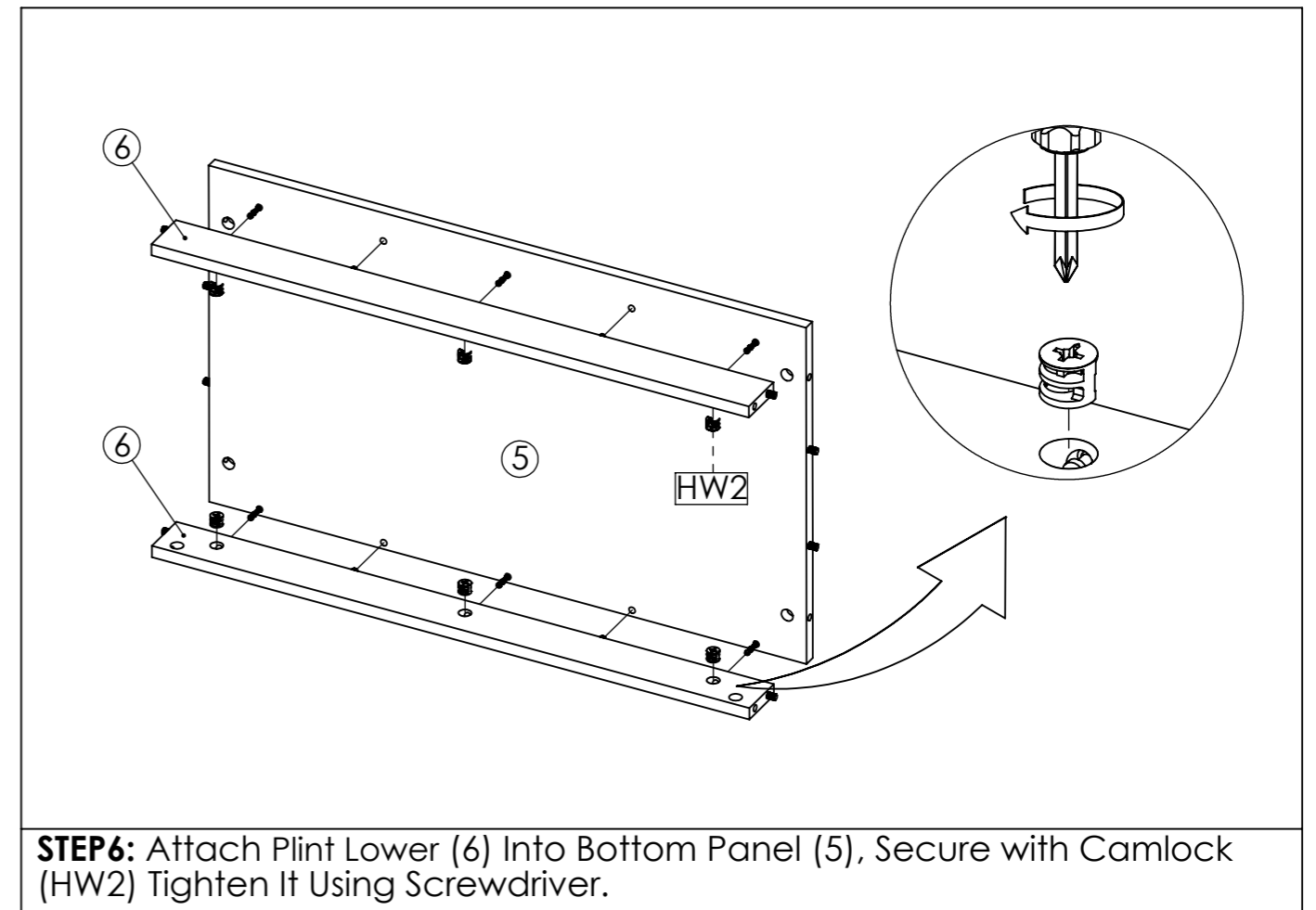
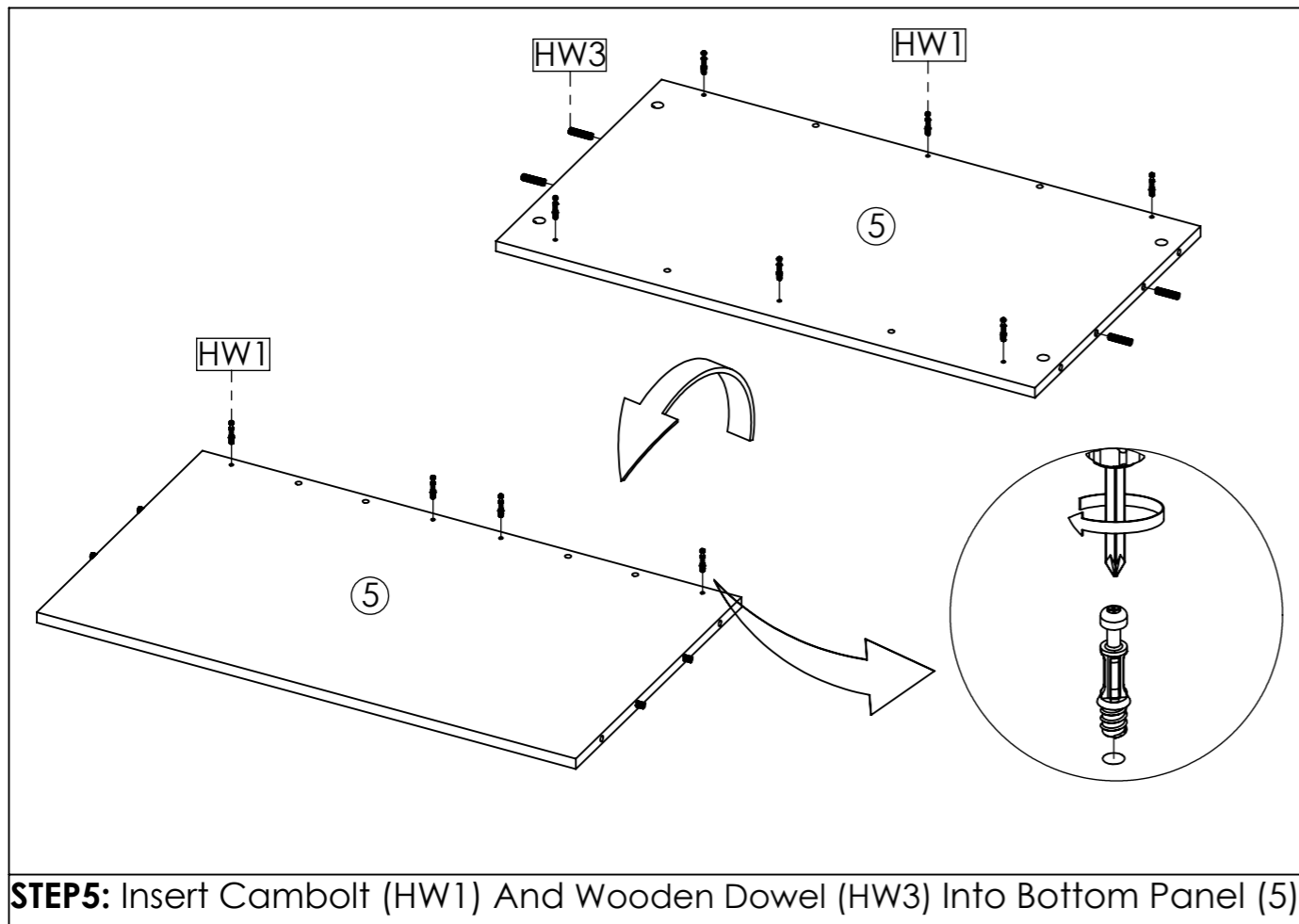
STEP2: Attach Plint Upper (3) And Panel Support Top (4) Into Top Panel (2),
Secure with Camlock (HW2) Tighten It Using Screwdriver.

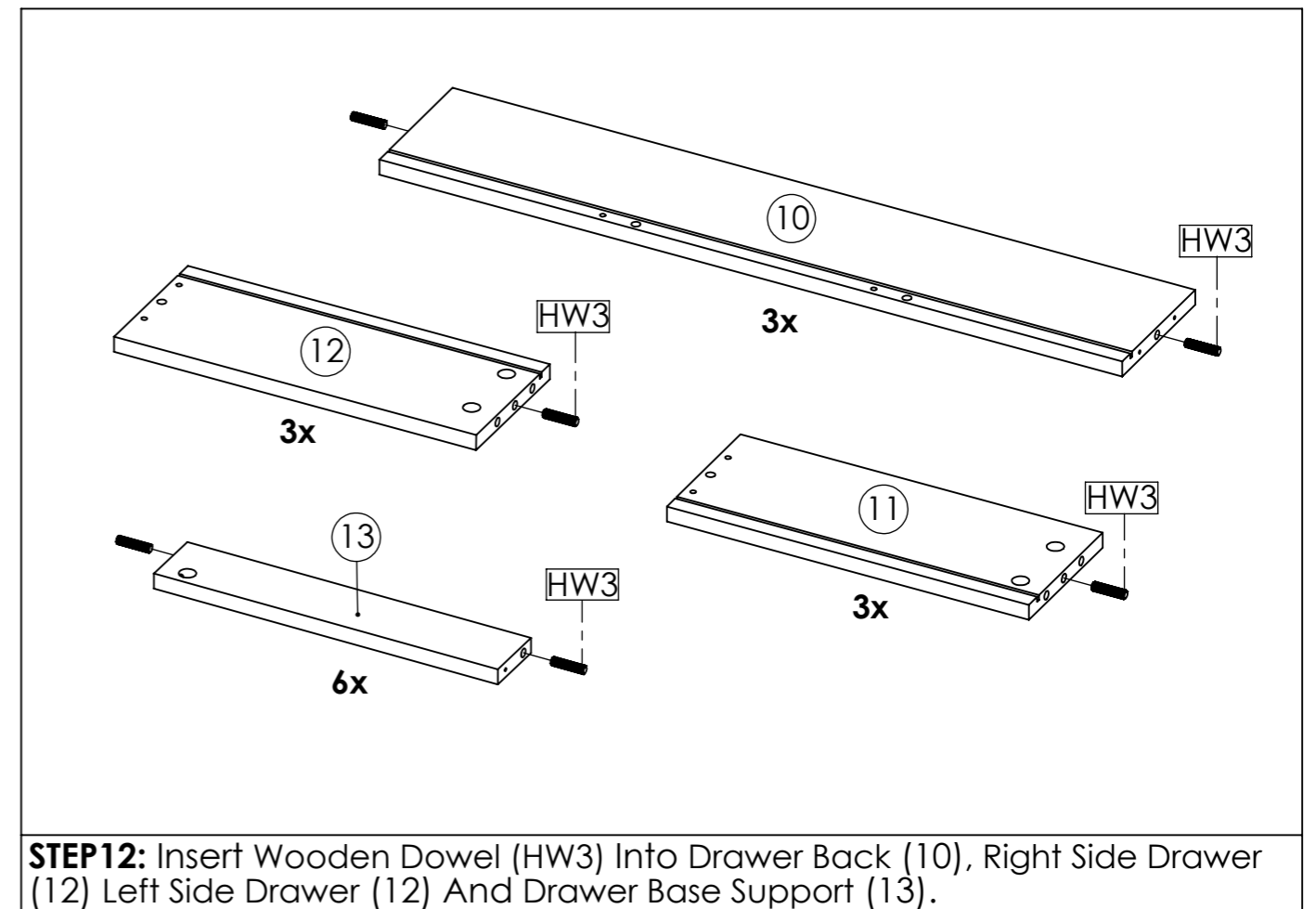
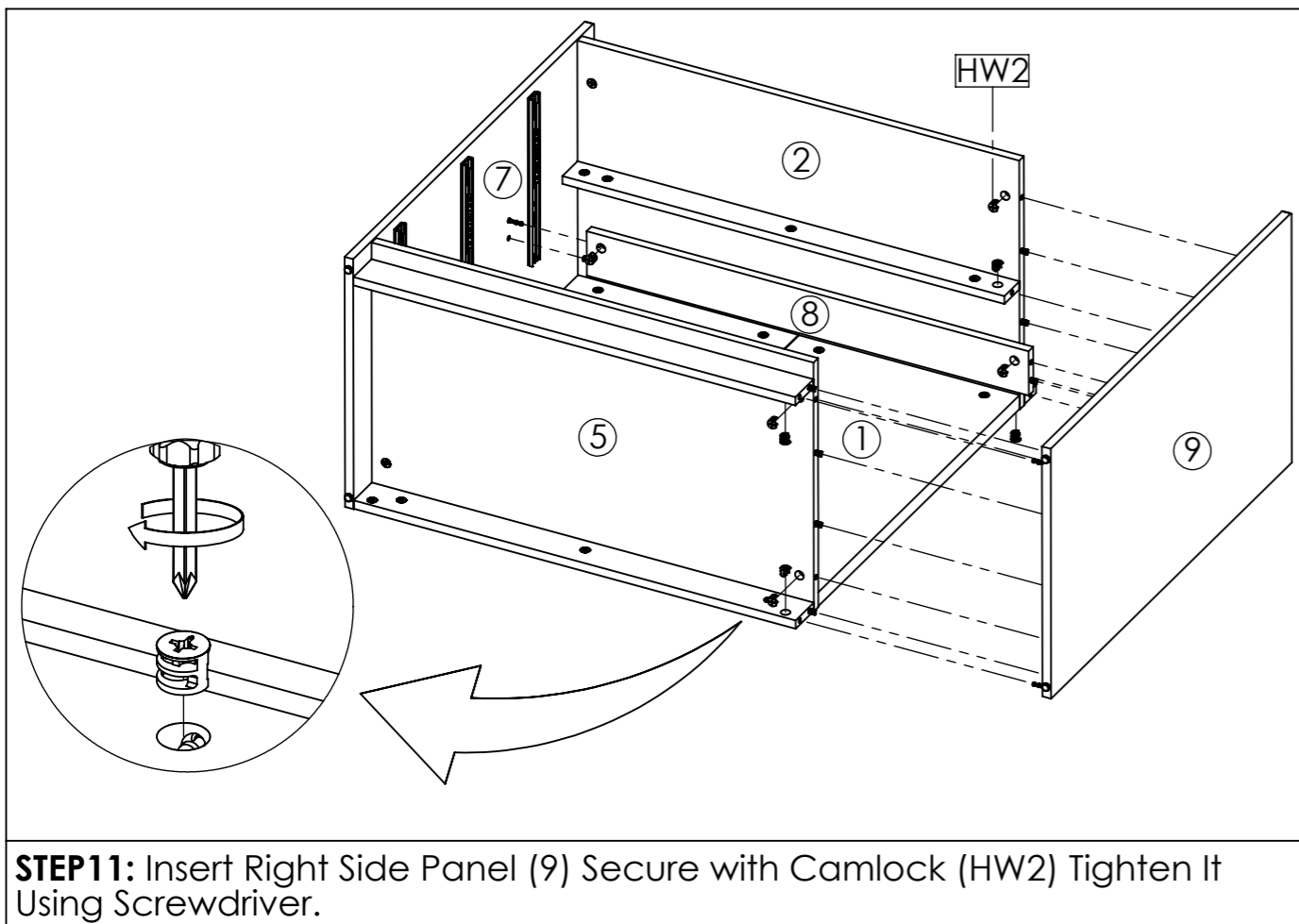
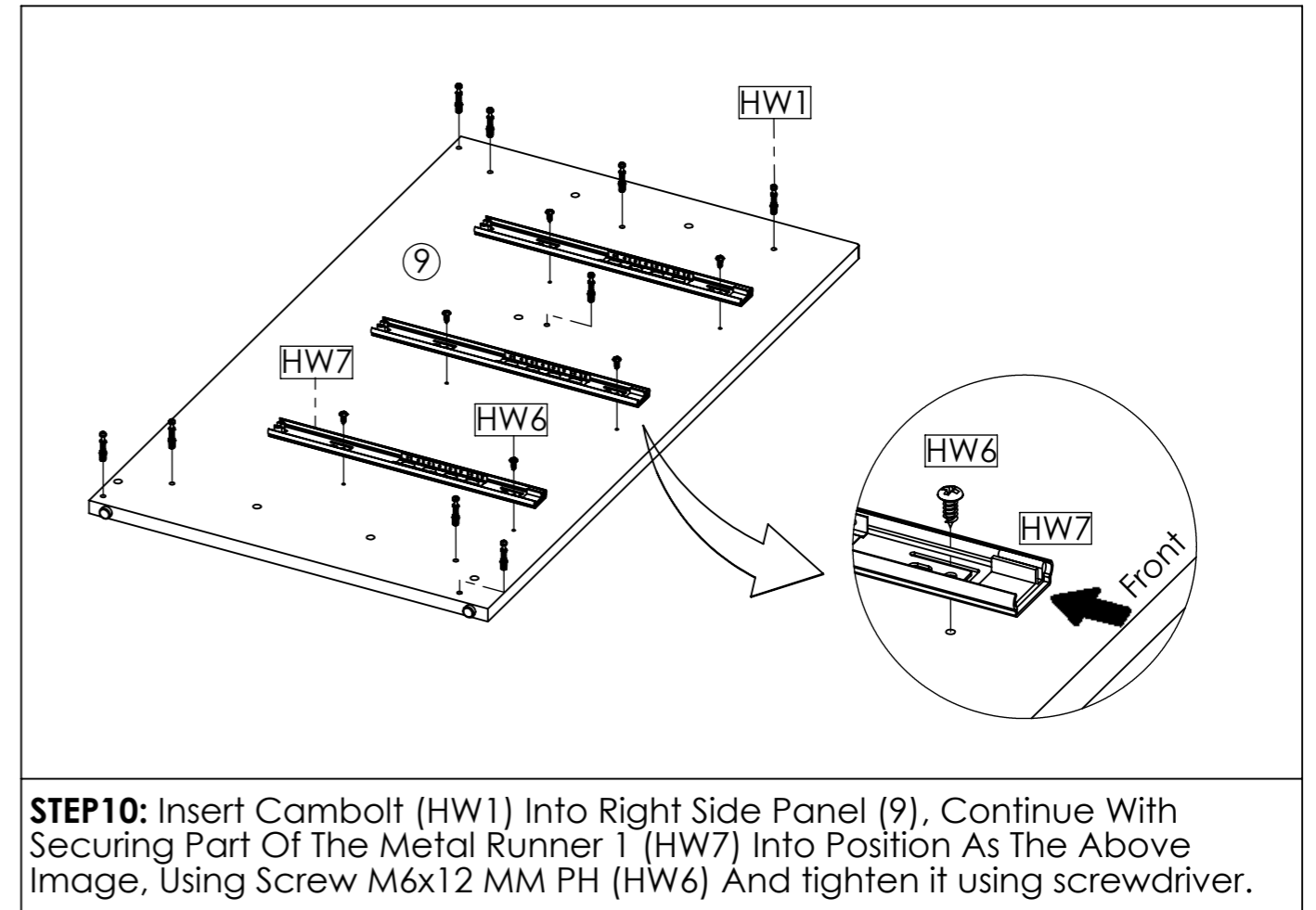
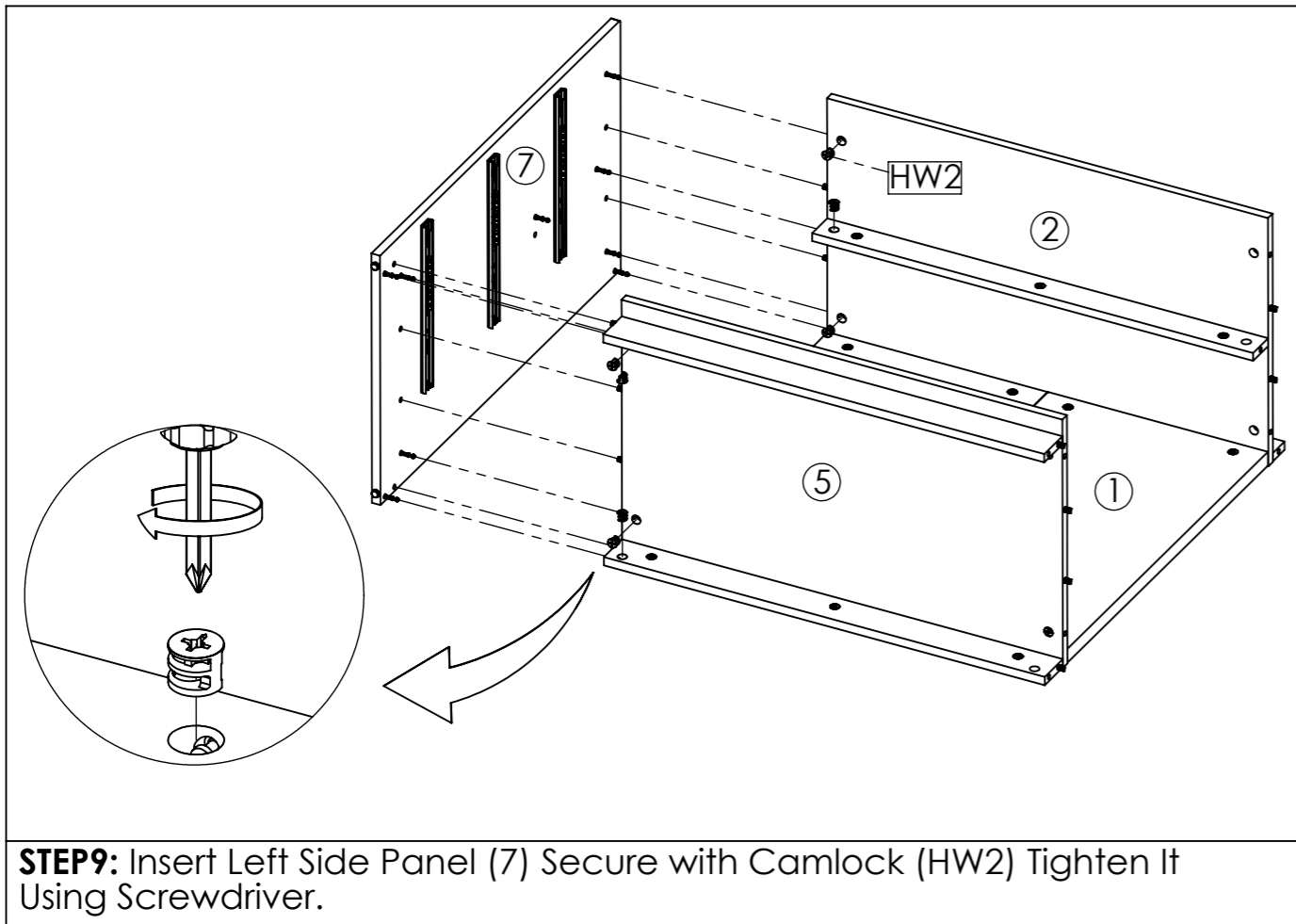


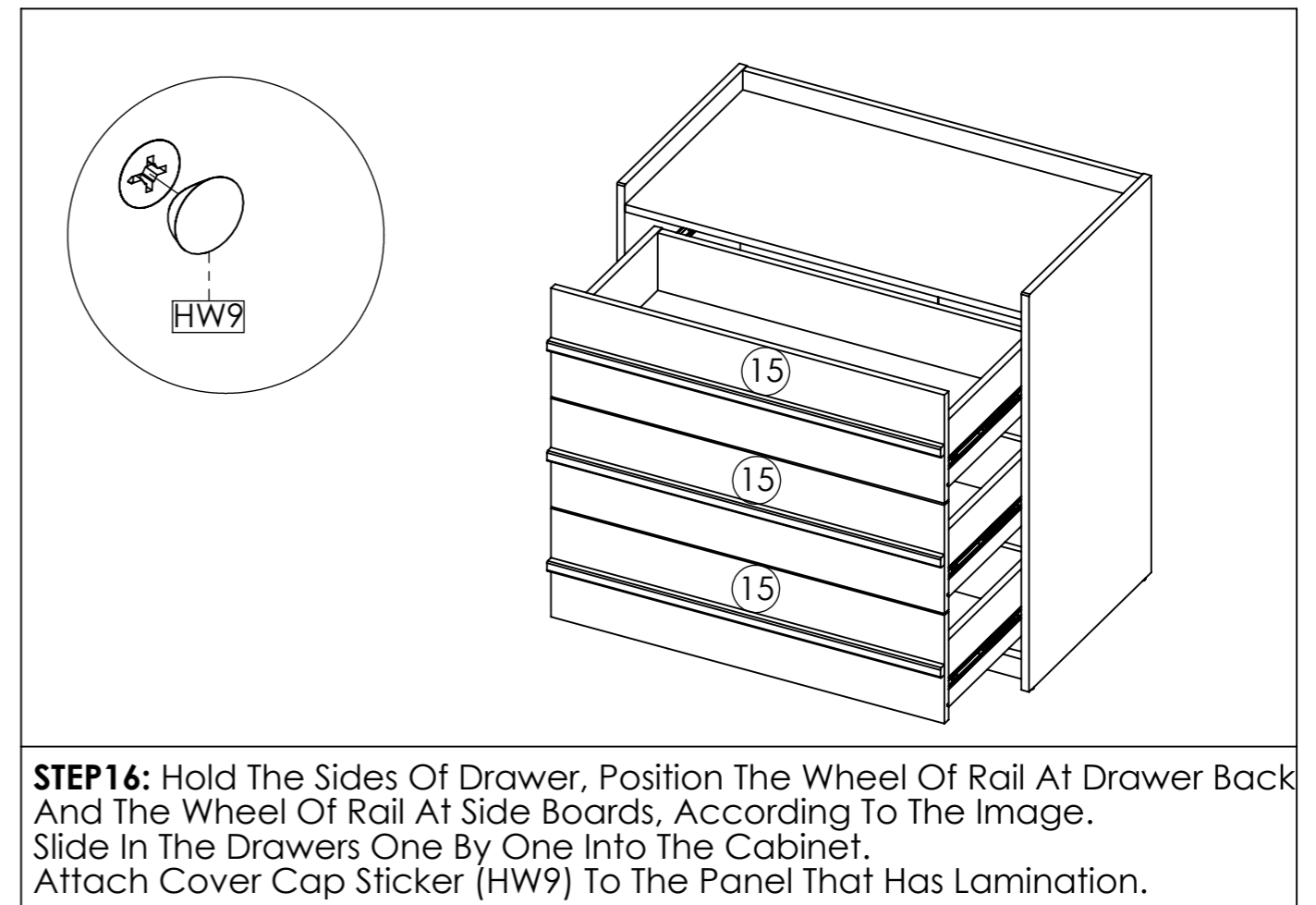
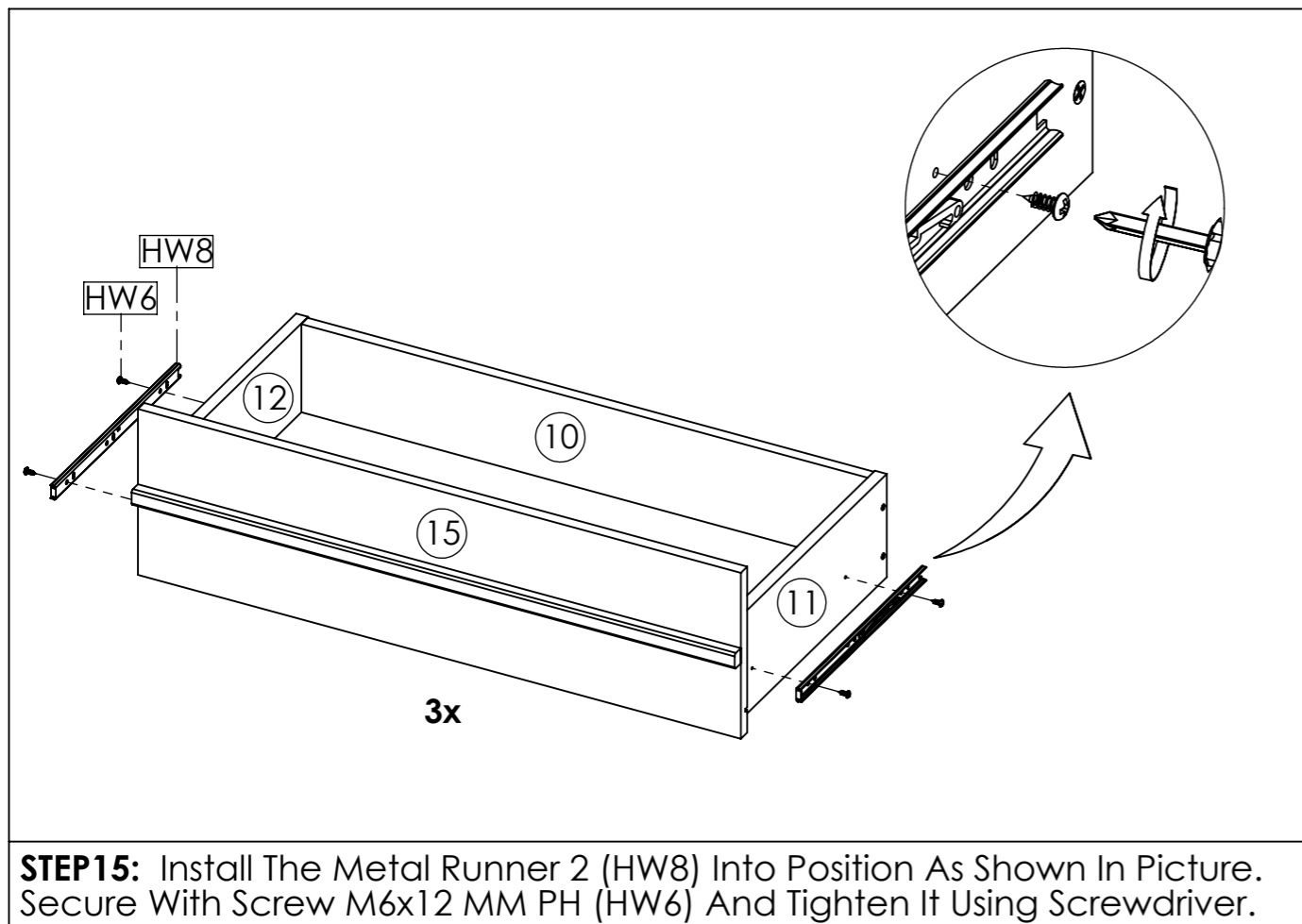
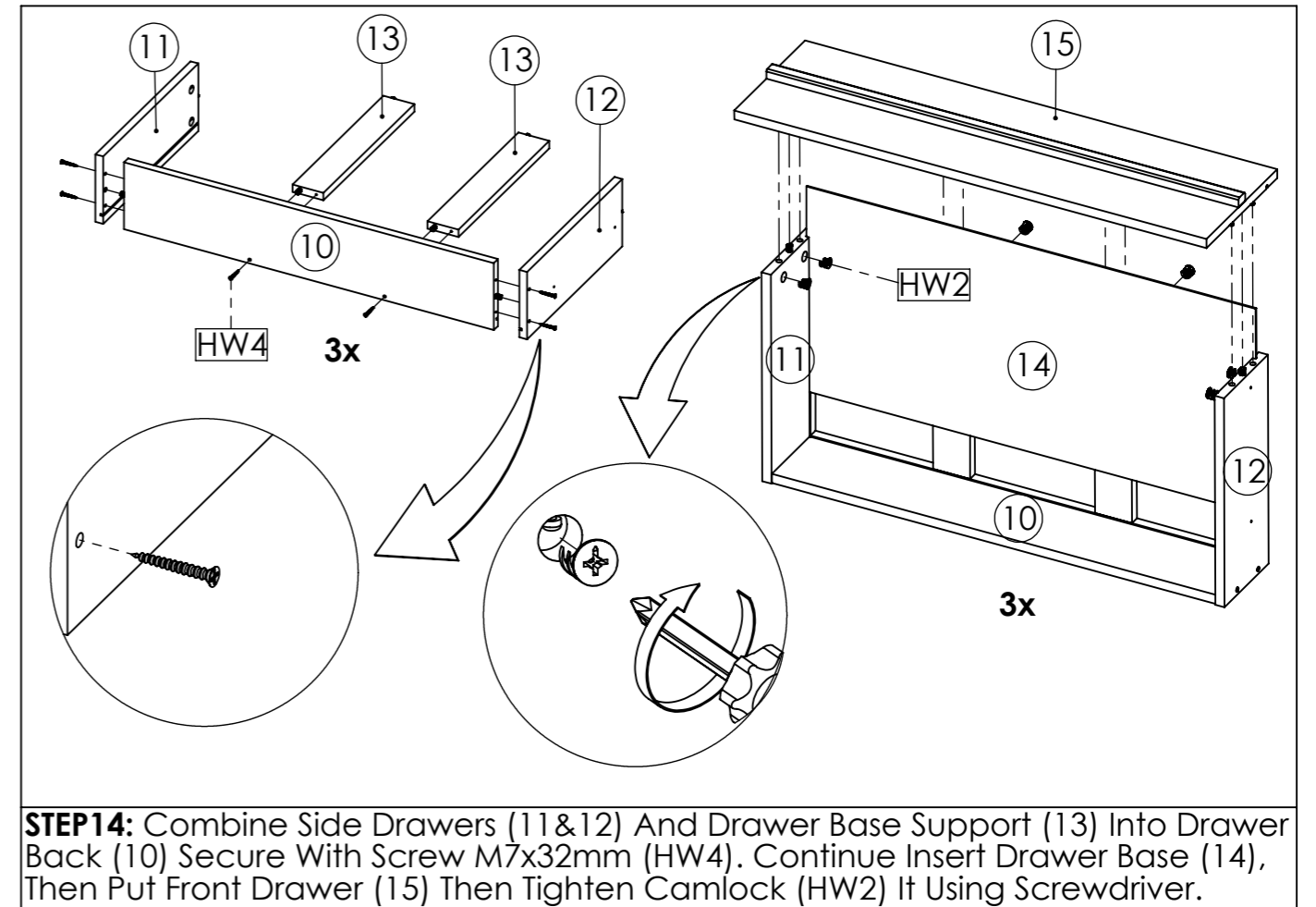
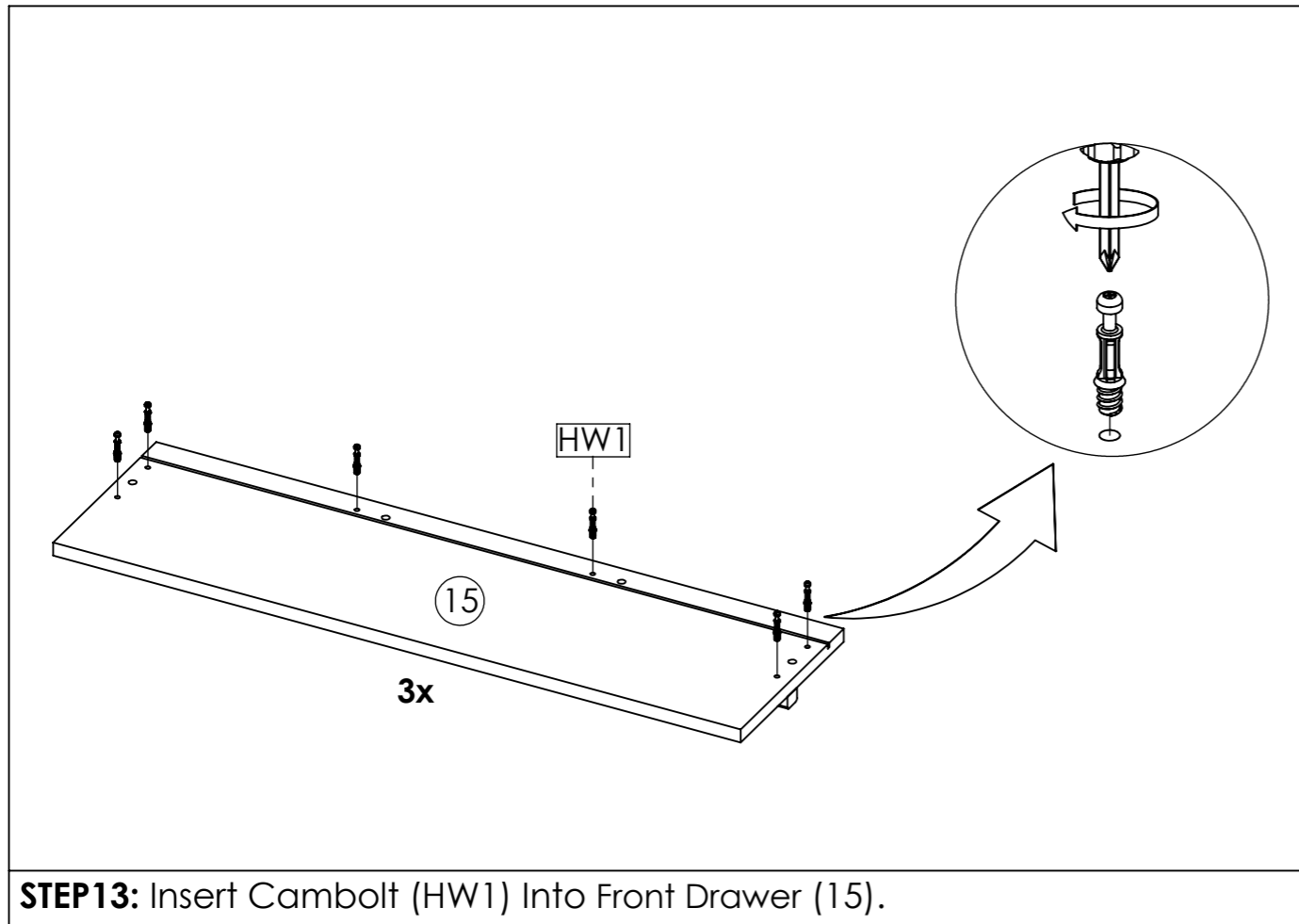
STEP3: Insert Wooden Dowel (HW3) Into Back Panel (1), Plint Lower (6)
And Panel Support (8).

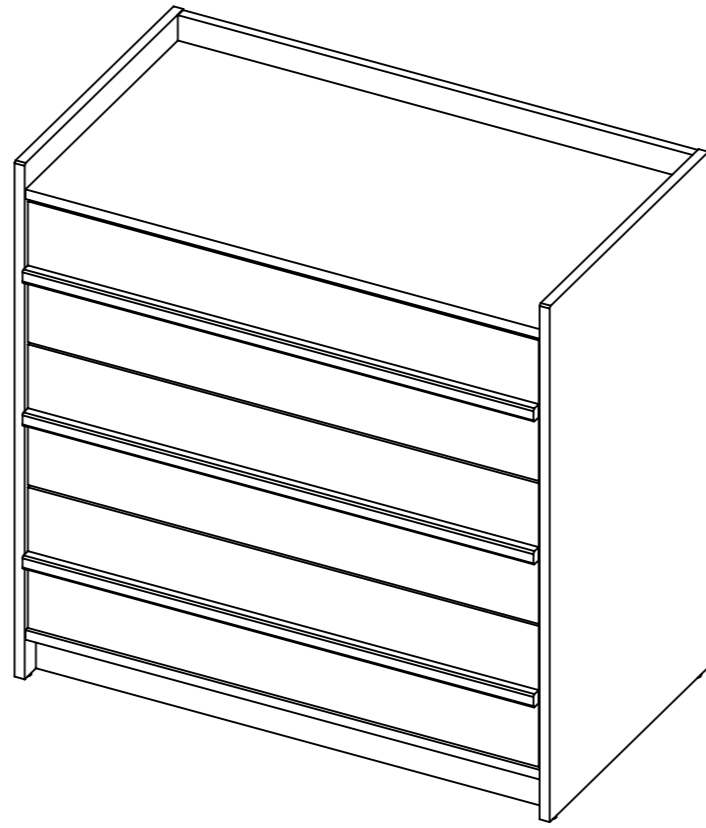


STEP4: Attach Back Panel (1) Into Top Panel (2), Secure with Camlock (HW2)
Tighten It Using Screwdriver.









STEP17: Assembly Is Complete

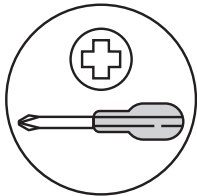
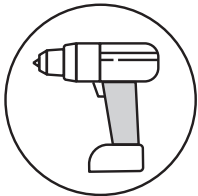


ANTI-TIP RESTRAINT INSTALLATION

! WARNING!

Children have died from furniture tipover.
To reduce the risk of furniture tipover:

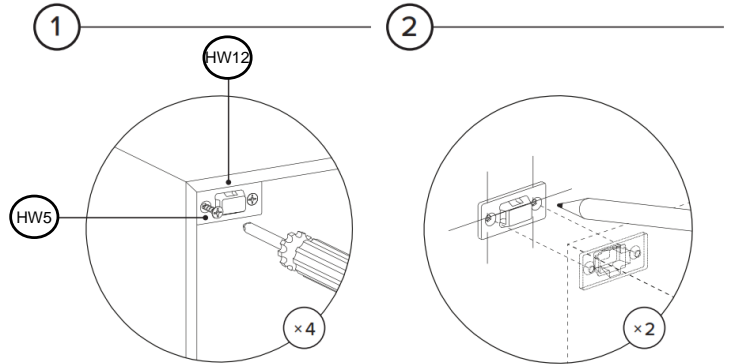
- ALWAYS install tipover restraint provided.
- NEVER allow children to stand, climb or hang on drawers, doors, or shelves.
- NEVER open more than one drawer at a time.
- Place heaviest items in the lower drawers.



REQUIRED TOOL
8MM / 5/16" DRILL BIT

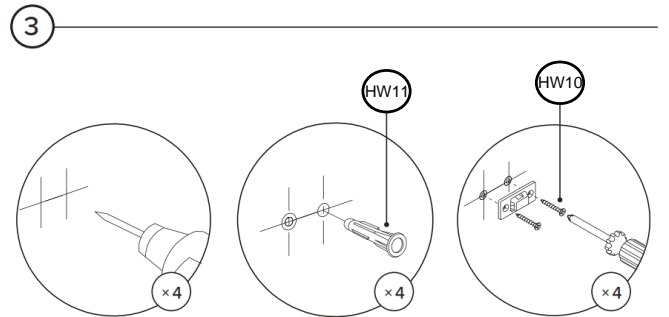
REQUIRED TOOL

! Hardware (HW11/HW10) to attach brackets to wall is designed for drywall. To attach this unit to another type of wall, consult with your local hardware store.

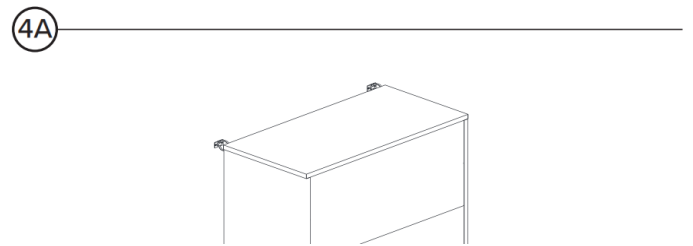


Attach pair of brackets to "Top Panel" of the unit. Note there are no existing pilot holes on the product.

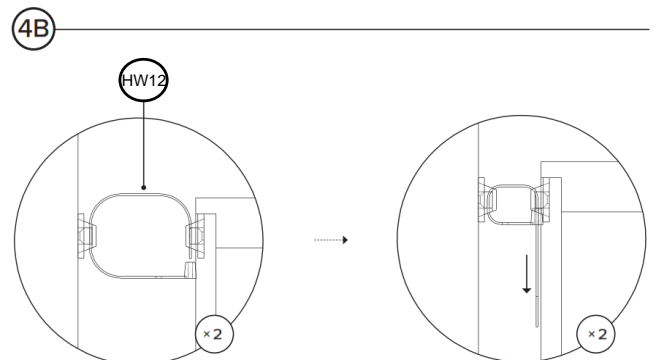
Mark on wall where second pair of brackets should be placed.



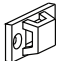

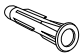
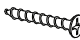

Drill holes in wall using 8mm / 5/16" drill bit.



Align brackets on unit with brackets on wall.



Pull strap down until it snap-locks.

ANTI-TIP RESTRAINT PACK		
ID	DESCRIPTION	QTY
HW12	BRACKET 	4
HW5	M6 × 15MM SCREW 	4
HW11	M8 × 35MM PLUG 	4
HW10	M10 × 50MM SCREW 	4
HW12	STRAP 	2