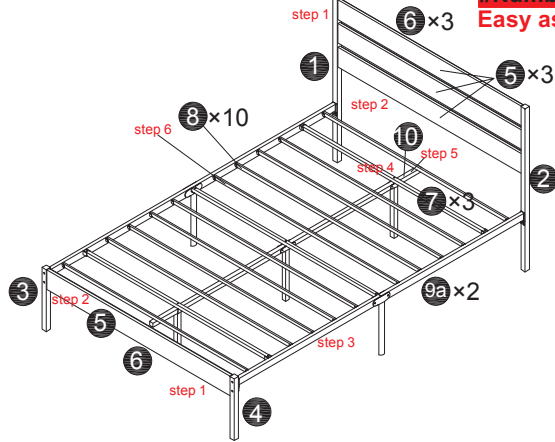


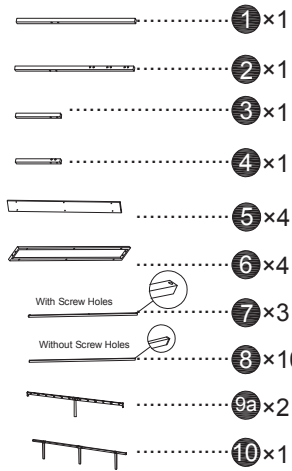
# Bed Frame Installation Manual

**#Number System**

Easy assembly by following step 1, step 2, step 3...



## Components



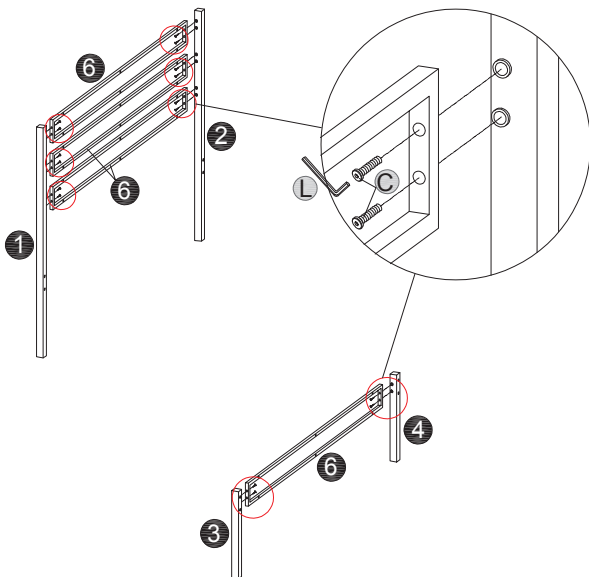
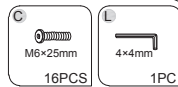
## Screws & Tools

A		M8x50mm	x4
B		M6x55mm	x3
C		M6x25mm	x20
D		M6x23mm	x24
E			x8
F			x4
L		4x4mm	x2
M		M6x30mm	x6
N			x1

Check all the components & screws before assembly. Do not install in case part is missing, contact us to get.

**1**

Note: For easy setup intention, do not tighten screws during the installation process



**2**

