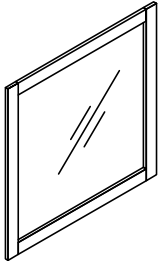
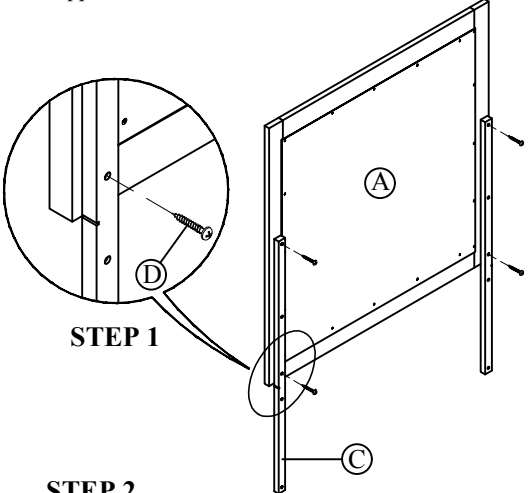
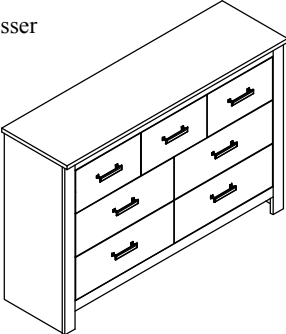
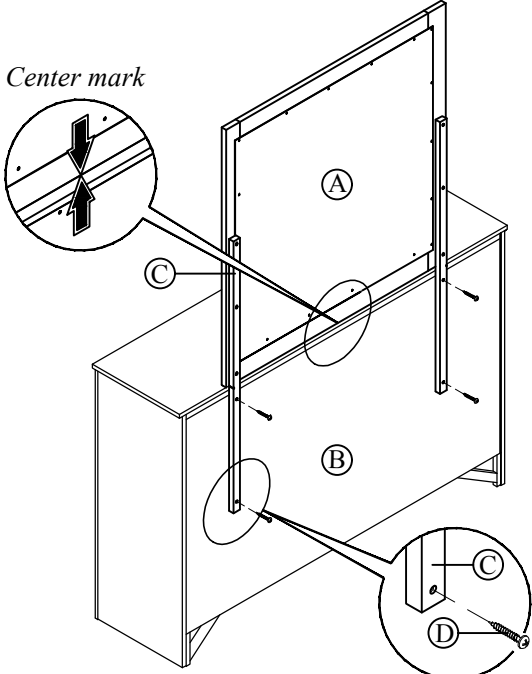
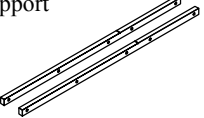
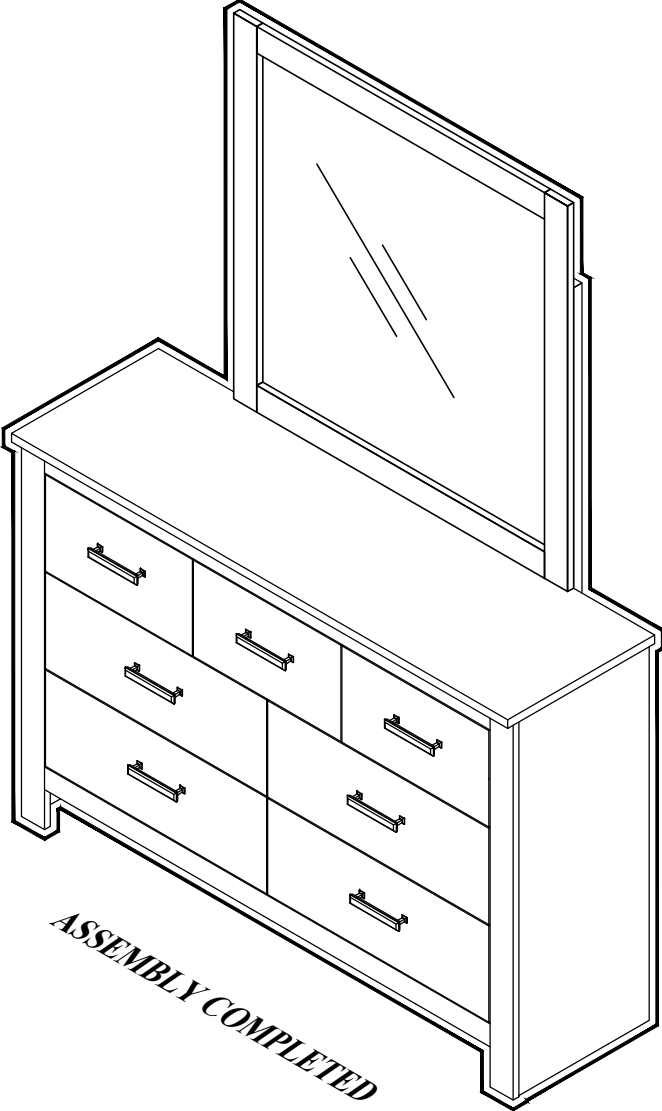



ASSEMBLY INSTRUCTIONS

No	Parts & Hardware	Qty		
A	Mirror 	1 Pc	<p>STEP 1</p> <p>Attach mirror support (C) to the mirror back (A) as step 1, then tighten with screw (D). Make sure the marking line on mirror support is at the same level as the bottom of mirror.</p> 	
B	Dresser 	1 Pc	<p>STEP 2</p> <p>Place the mirror with support on the top of dresser (B). Then <u>align center</u> as shown and tighten with PHCB screw (D).</p> 	
C	Mirror Support 	2 Pcs	 <p style="text-align: center;">ASSEMBLY COMPLETED</p>	
D	PHCB Screw M4 x 32mm 	10 Pcs		