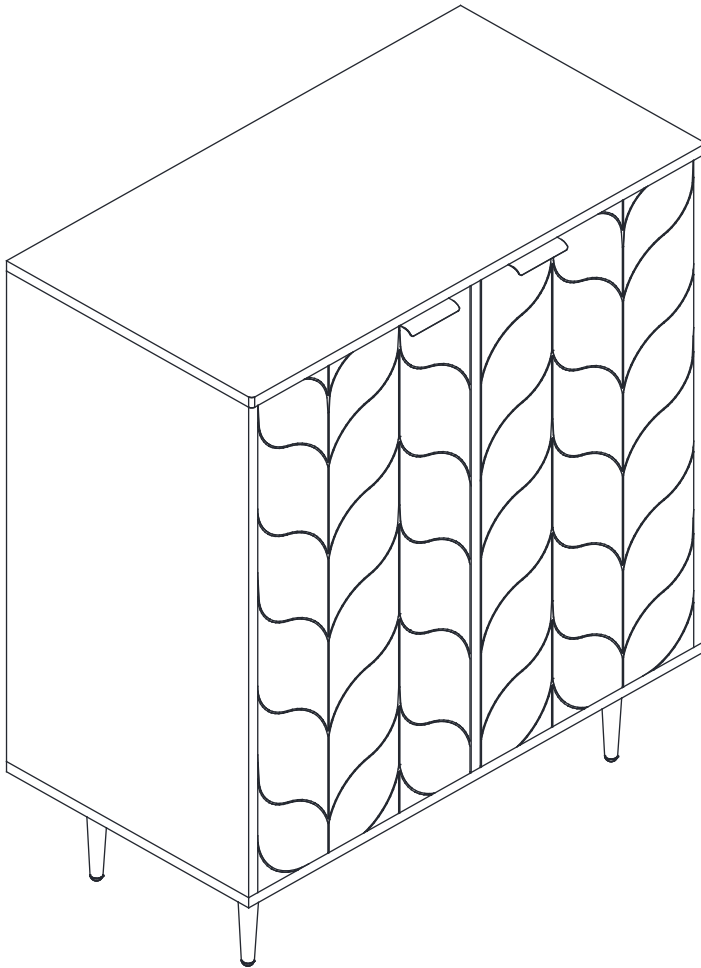


ASSEMBLY INSTRUCTION

Item Number : N606P199351W




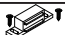
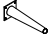











TIPS

1. Please read the instructions fully before assembly. These instructions include important information which could ensure correct assembly. We have been working on providing high quality products for you. However, in the rare instance that your product is defective, missing parts or there are some issues, please don't hesitate to contact our customer service to submit parts requirements, assembly suggestion, or warranty claims, and we will give the best solution as soon as possible. If necessary, we need you to provide some more clear pictures of the issue.

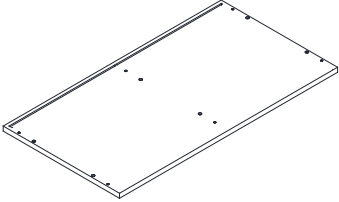
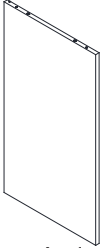



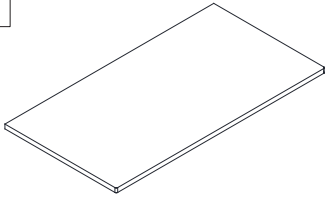


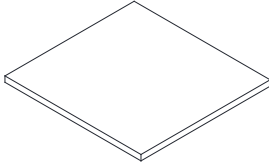
2. Insert the screws in holes and tighten the screws, but not too tight, 70%~80% is ok, finally tighten all the screws. If some issues happened that some screws can not target to the hole or some parts are difficult to install, please adjust the tightness of the screws.

3. 2 people are recommended to finish.

Parts List			Hardware List		
NO	ITEM	QTY	NO	ITEM	QTY
1	Bottom panel	1	A	Cam Bolt 	12
2	Left side panel	1	B	Dowel 	12
3	Middle side panel	1	C	Cam lock 	12
4	Right side panel	1	D	Base knob (M3x16mm) 	2
5	Backboard	2	E	Iron foot 	4
6	Top panel	1	F	Screw (M3.5x14mm) 	16
7	Door panel	1	G	Magnetic sheet (M3x10mm) 	2
8	Door panel	1	H	Hinge (M3.5x14mm) 	4
9	Middle panel	4	I	Handle (M3.5*14mm) 	2
			J	Shelf support pin 	16
			K	Hole sticker 	12
			L	Anti falling iron sheet 	2
			M	Allen key 	1
			N	Backboard buckle (M3.5*14mm) 	8

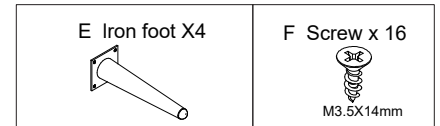
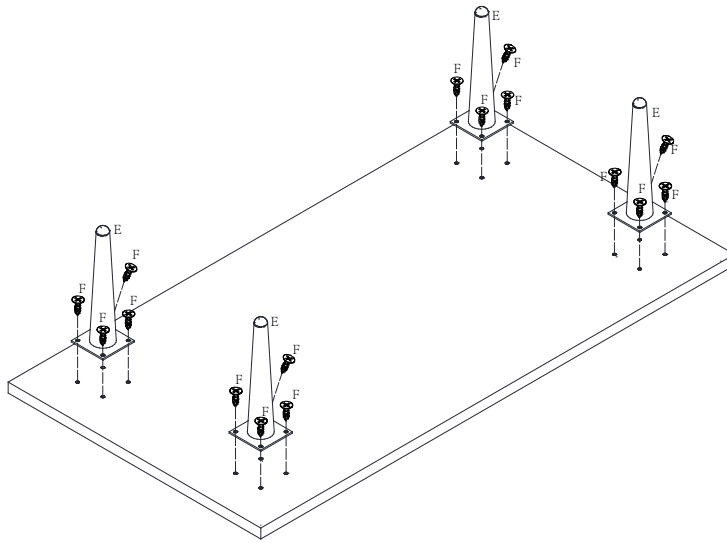
Part List

Hardware List+N606P199351W

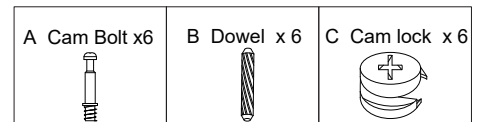
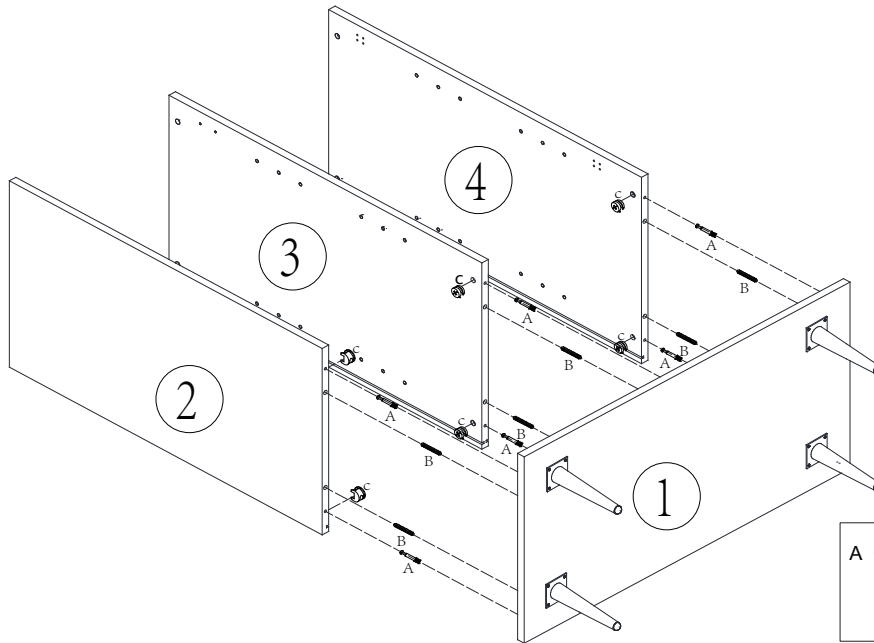
1  Bottom panel -1pc	2  Left side panel -1pcs	3  Middle side panel -1pcs
4  Right side panel -1pcs	5  Backboard -2pc	6  Top panel -1pc
7  Door panel -1pcs	8  Door panel -1pc	9  Middle panel -4pc

Attention: Do not tighten the screws before completing the entire installation. If you have any difficulty with the installation process, please feel free to contact us.

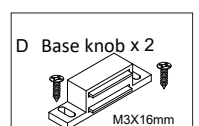
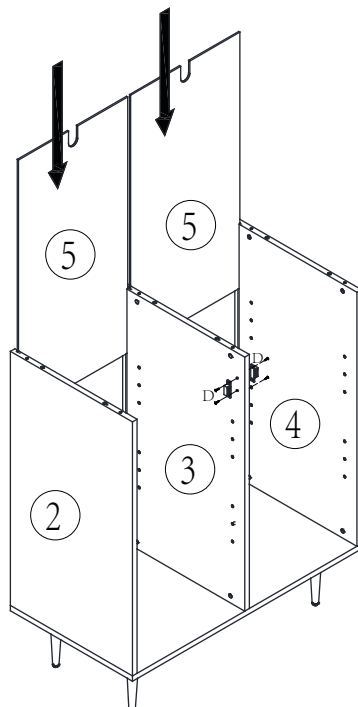
Step 1



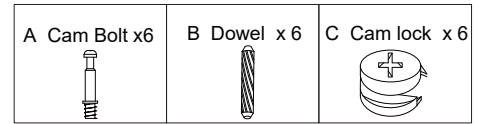
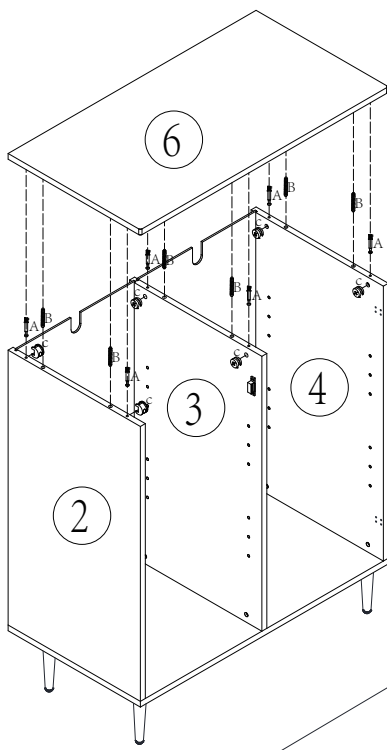
Step 2



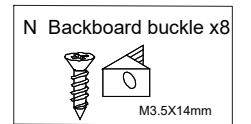
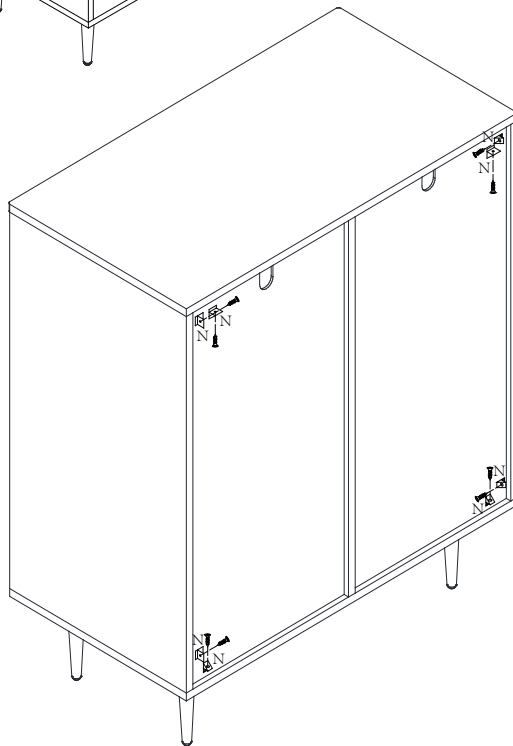
Step 3



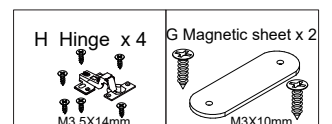
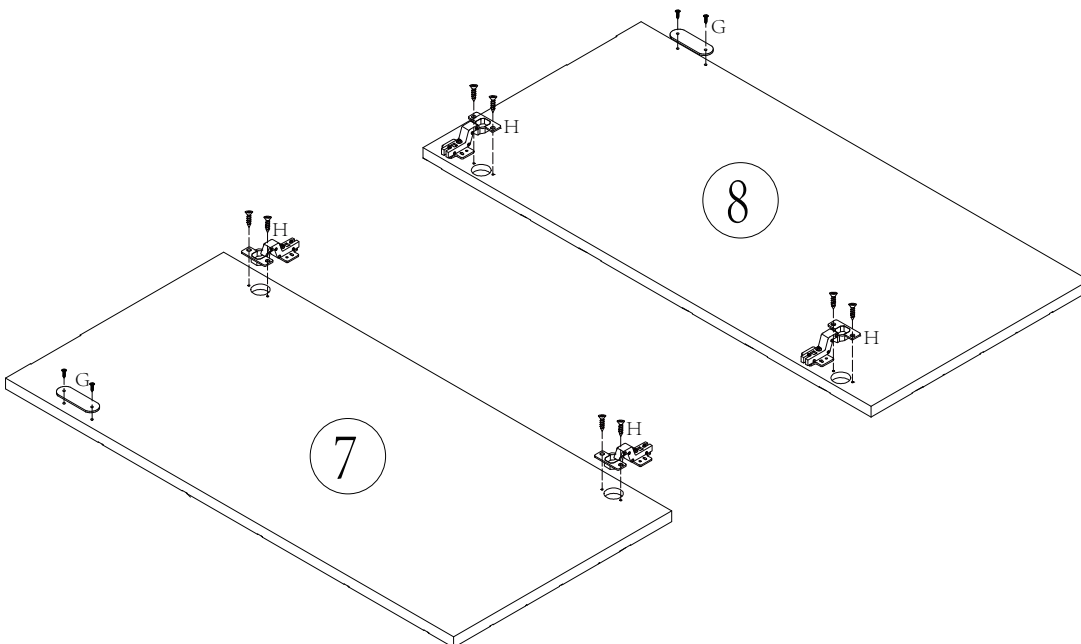
Step 4



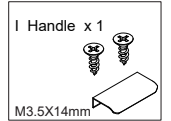
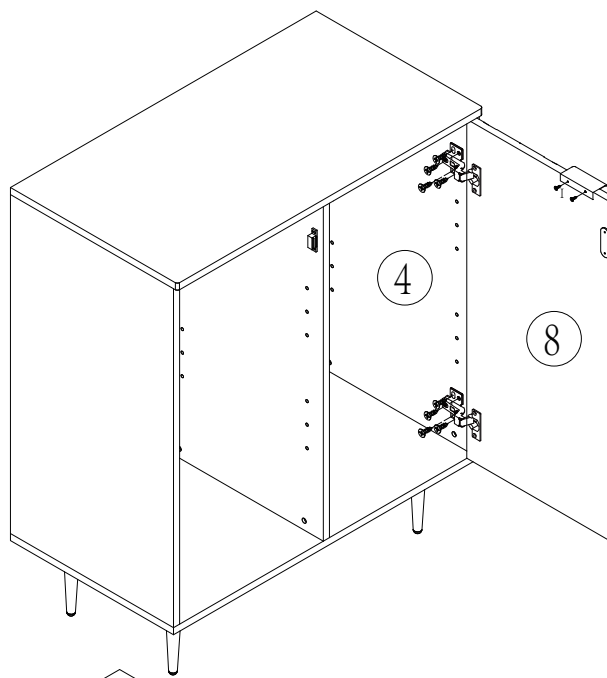
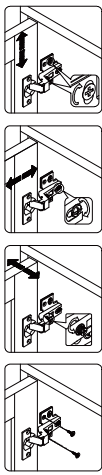
Step 5



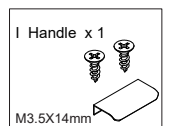
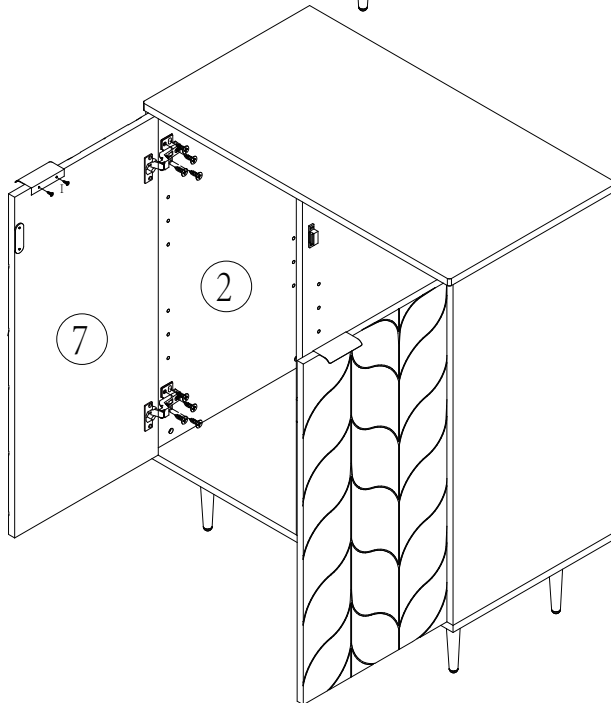
Step 6



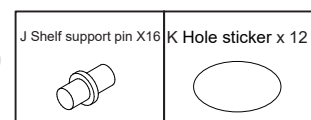
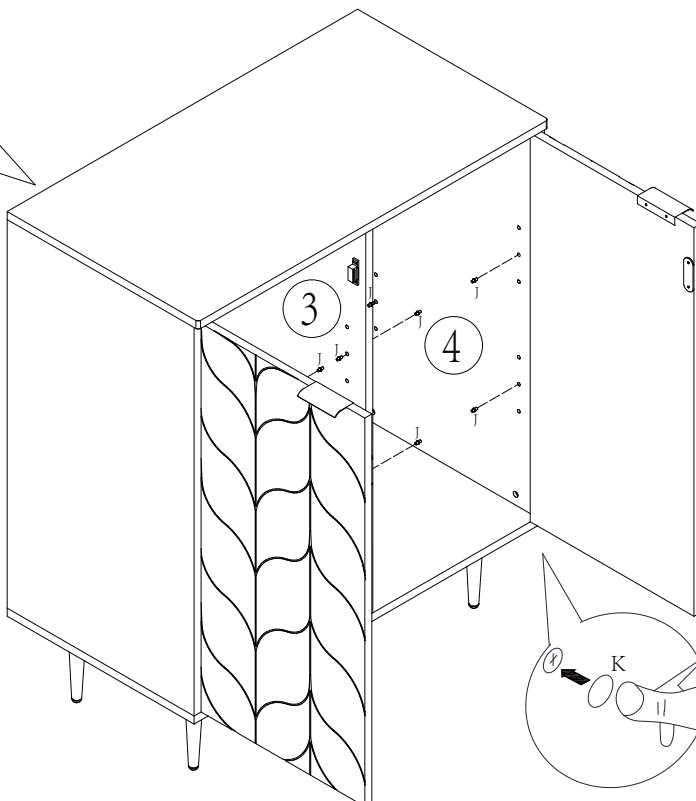
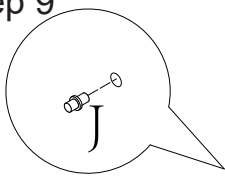
Step 7



Step 8



Step 9



Step 10

