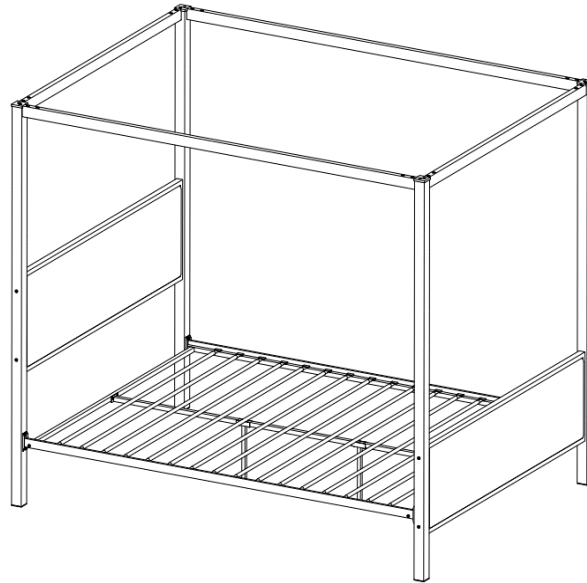


# Assembly Instructions

Caution: You must read this before you proceed.

## Bed



 **WARNING**  
STRANGULATION HAZARD.

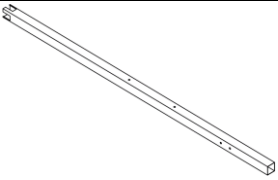
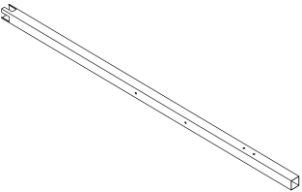
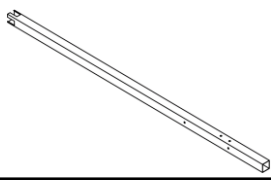
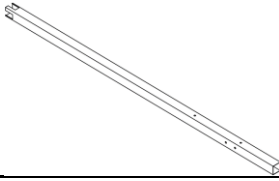
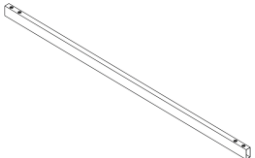
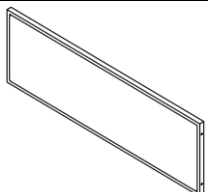
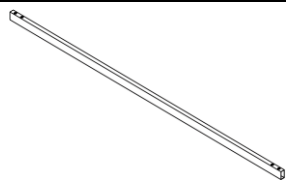
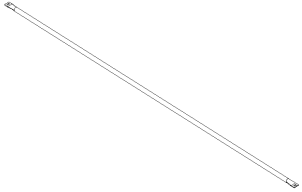

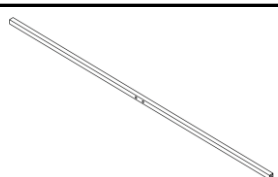
NEVER place bed near windows where cords from blinds or drapes may strangle a child.  
NEVER suspend strings over bed.  
NEVER place items with a string, cord, or ribbon, such as hood strings or pacifier cords, around a child's neck.  
These items may catch on bed parts.  
ALWAYS follow assembly instructions.

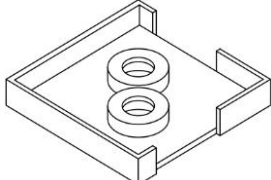
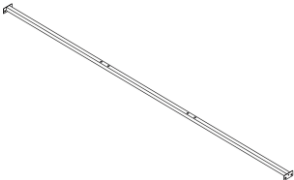
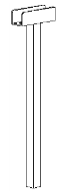
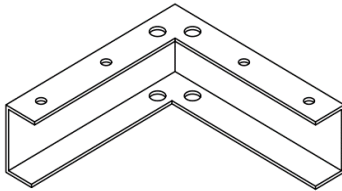
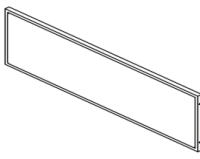
 **WARNING!**

Not intended for children under the age of six. **INFANTS HAVE DIED FROM BECOMING ENTRAPPED IN BEDS.** Openings in and between bed parts can entrap the neck and head of a small child. **NEVER** use bed for child under the age of six.








The mattress must be appropriately sized for the bed. If the mattress is undersized, dangerous gaps can exist and a person can become entrapped or entangled in the frame and suffocate.

# Part List

Label	Picture	Description	QTY
A		Left Headboard Post	1
B		Right Headboard Post	1
C		Left Footboard Post	1
D		Right Footboard Post	1
E		Short Upper Support Rail	2
F		Headboard	1
G		Long Upper Support Rail	2
H		Slat	16
I		Side Rail	2
J		Front/Rear Support Rail	2

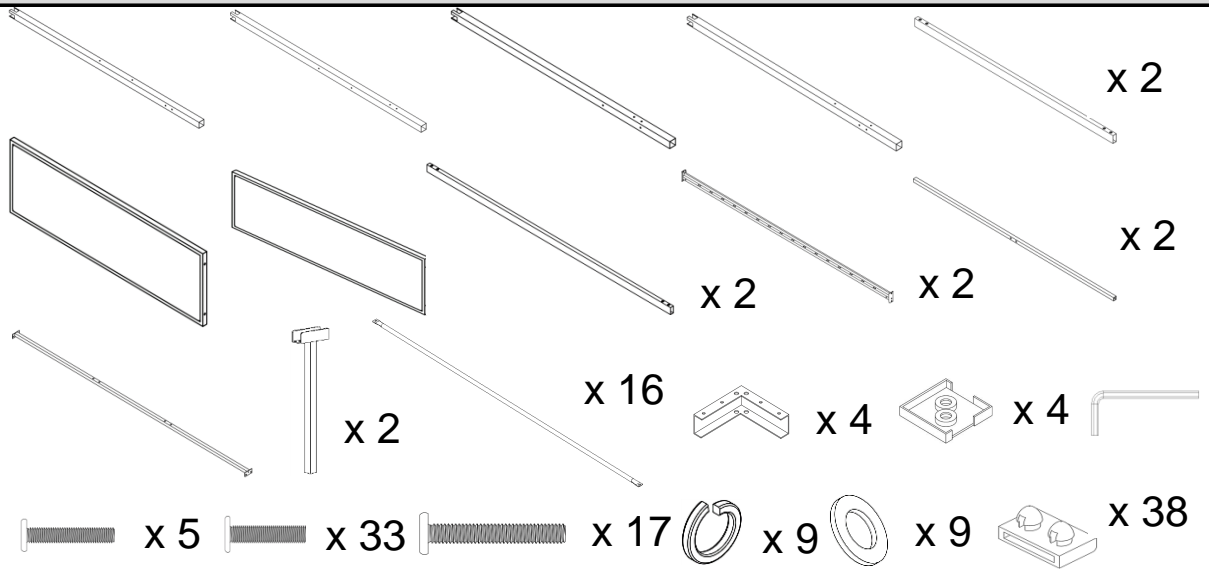
K		Bracket	4
L		Center Support Rail	1
M		Support Leg	2
N		L-shaped Bracket	4
O		Footboard	1

## Hardware

Label	Picture	Description	QTY
①		Bolt(M6 x 46mm)	5
②		Bolt(M6 x 16mm)	33
③		Bolt(M6 x 65mm)	17
④		Spring Washer φ6.5mm	9
⑤		Washer φ6.5mm	9
⑥		Allen Key 4mm	1
⑦		Slat Connector	38

# Assembly Preparation

Before Beginning Assembly:



- Read instructions, cover to cover-



- Have 3-4 adults on hand for assembly-



- Do not assemble on flooring or carpet-



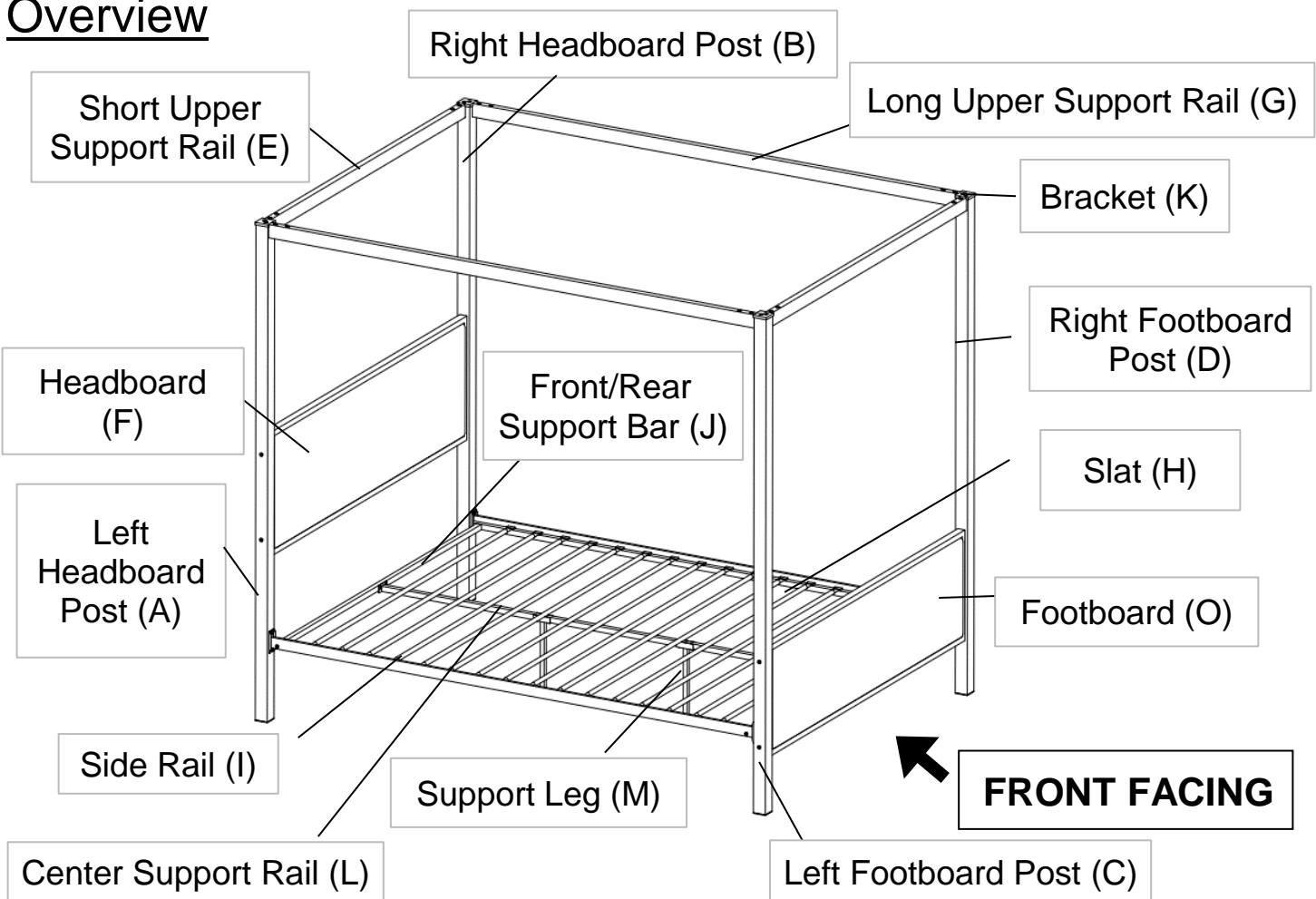
- Assemble on a clean non-marring surface (packing foam)-



- Save all packaging until finished-

# Assembly Steps

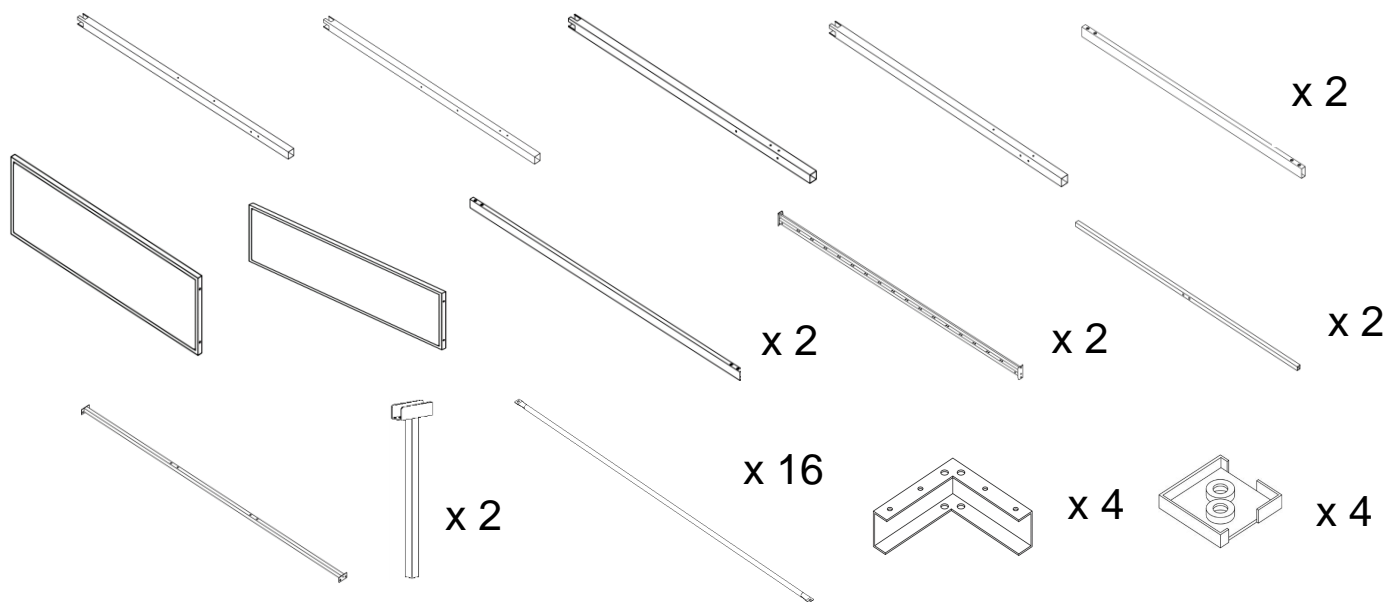
## Overview



This Bed has multiple parts and may require up to 60 minutes to assemble. To give you an overview of the Bed parts, the above picture is to help you put the various parts into perspective.

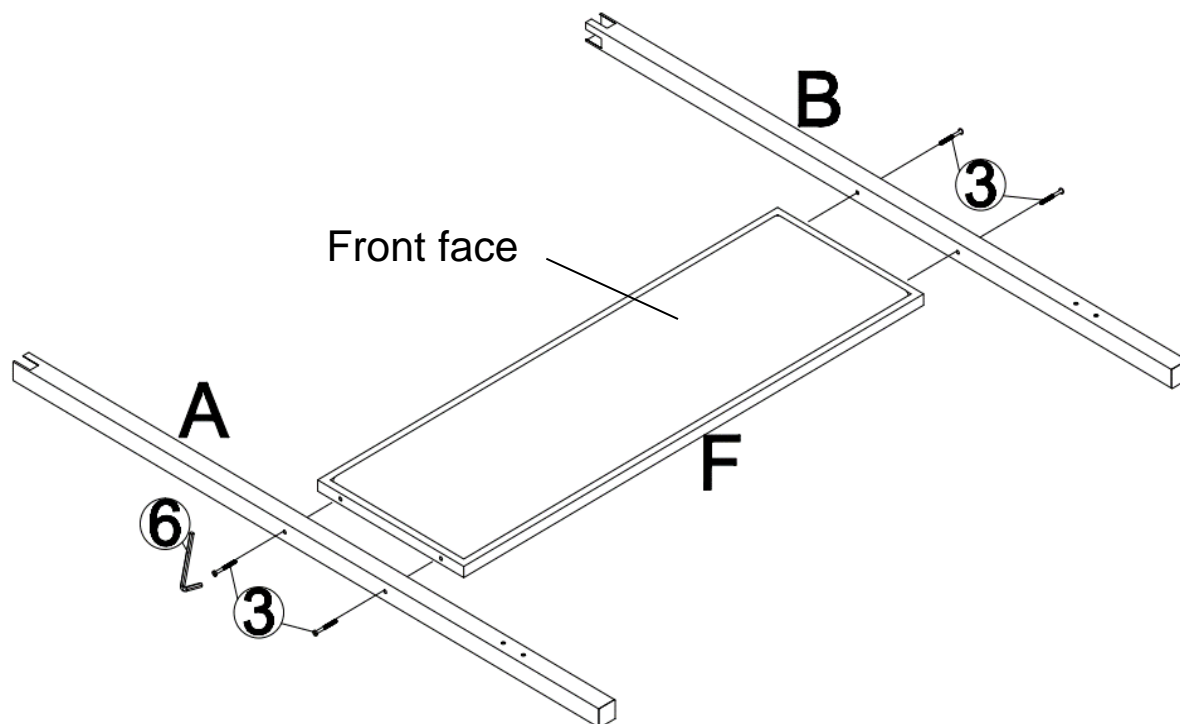
Please read through the instructions below to familiarise yourself with the parts and steps before assembly.

## Step 1



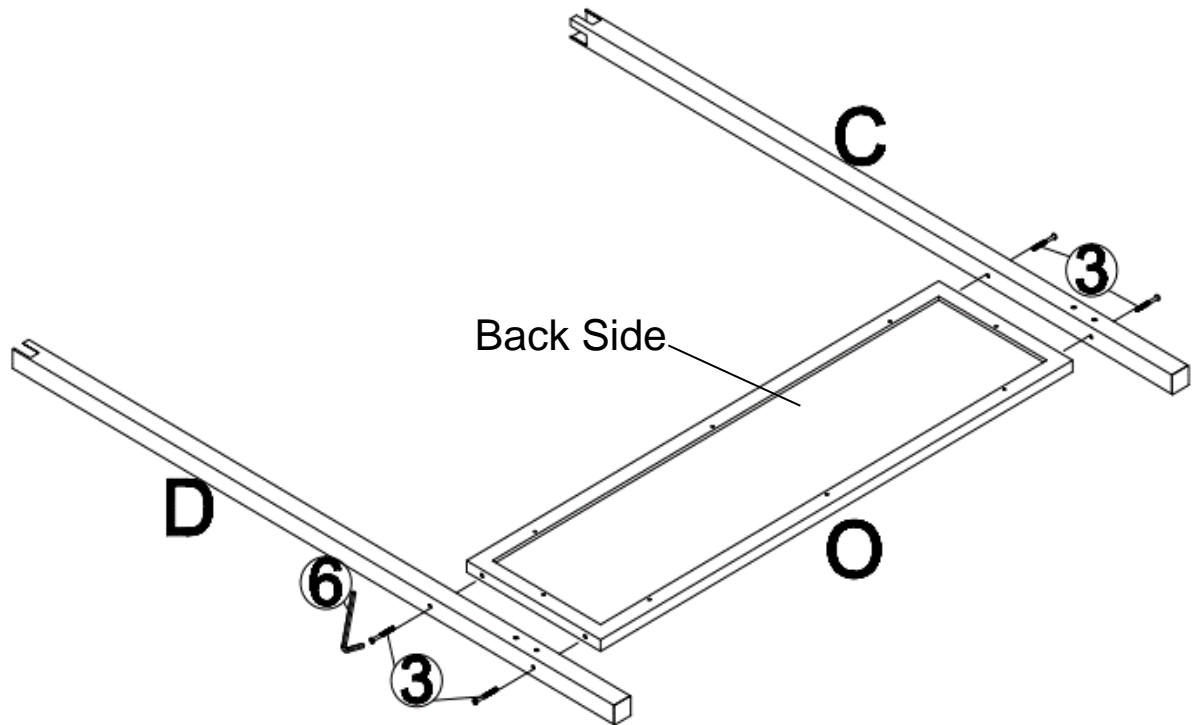
Unpack and place all parts on a clean, non-marring surface.

## Step 2



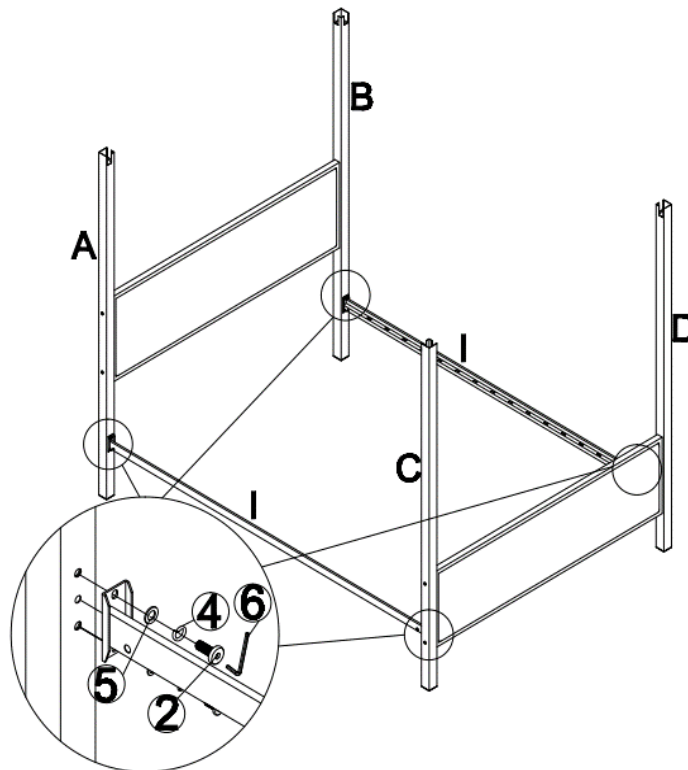
Attach Left Headboard Post(A) and Right Headboard Post(B) to Headboard(F) using Bolts(3) with Allen Key(6).

### Step 3



Attach Right Footboard Post(C) and Left Footboard Post(D) to Footboard(O) using Bolts(③) with Allen Key(⑥).

### Step 4

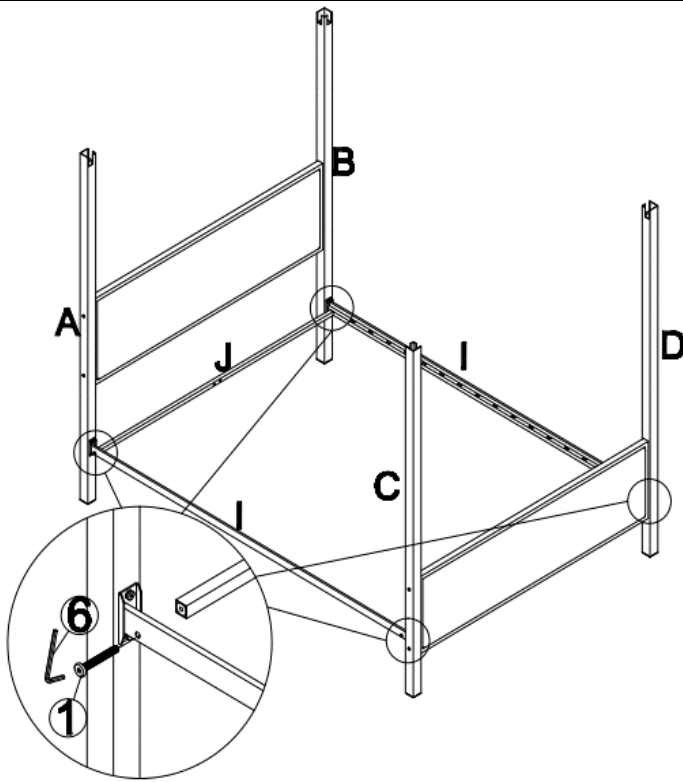


With help from your adult partner stand the Headboard frame and Footboard frame up. Attach Side Rail(I) to Left Headboard Post(A) and Left Footboard Post(C) using Bolts(②), Spring Washers(④) and Washers(⑤) with Allen Key(⑥).

Repeat same process with Side Rail(I) to Right Headboard Post(B) and Right Footboard Post(D).

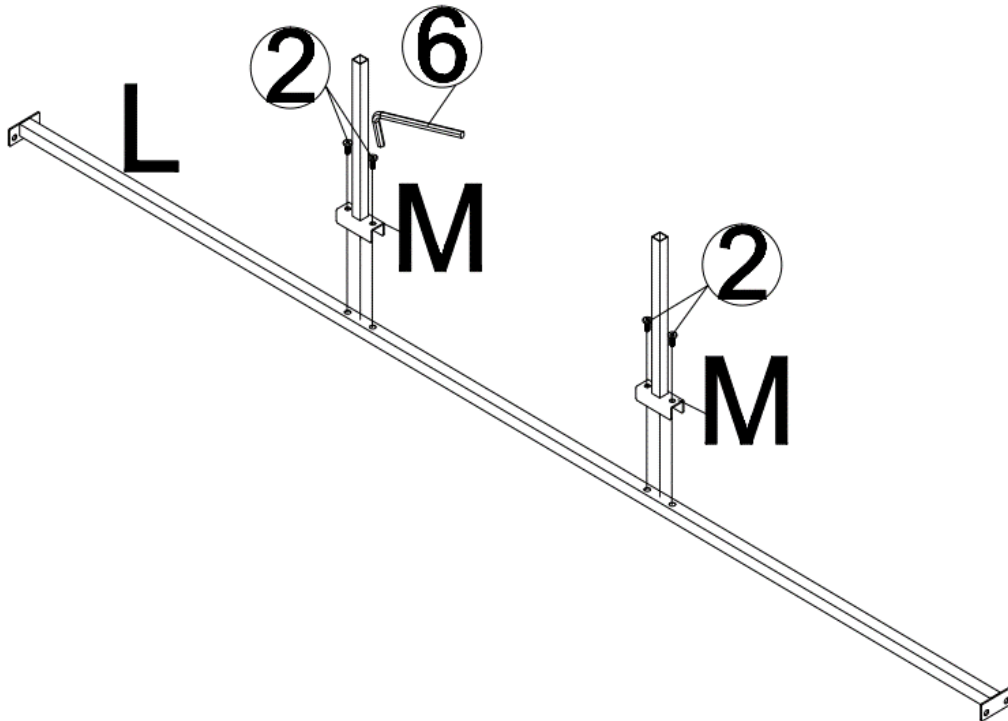
**Do not fully tighten the Bolts.**

## Step 5



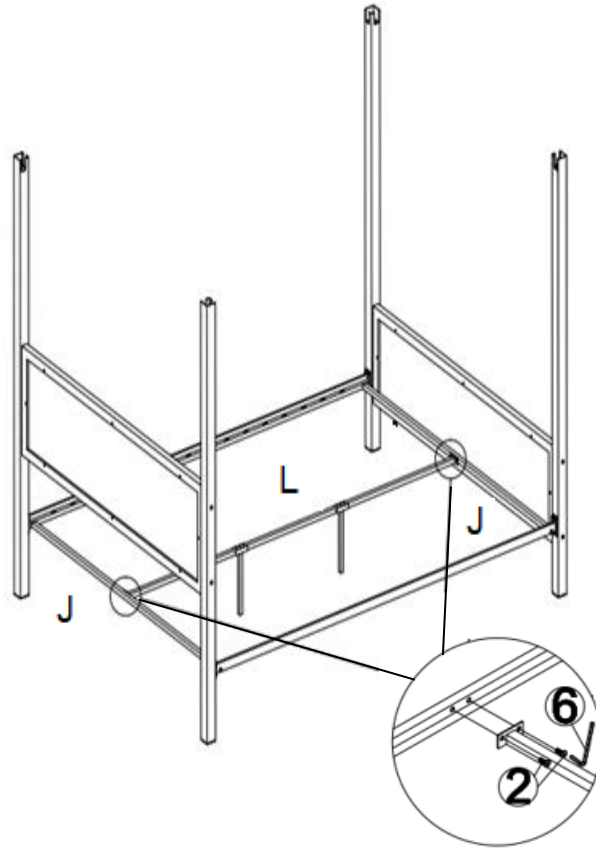
Attach Front/Rear Support Rails(J) to Side Rails(I) using Bolts(①) with Allen Key(⑥).  
**Do not fully tighten the Bolts.**

## Step 6



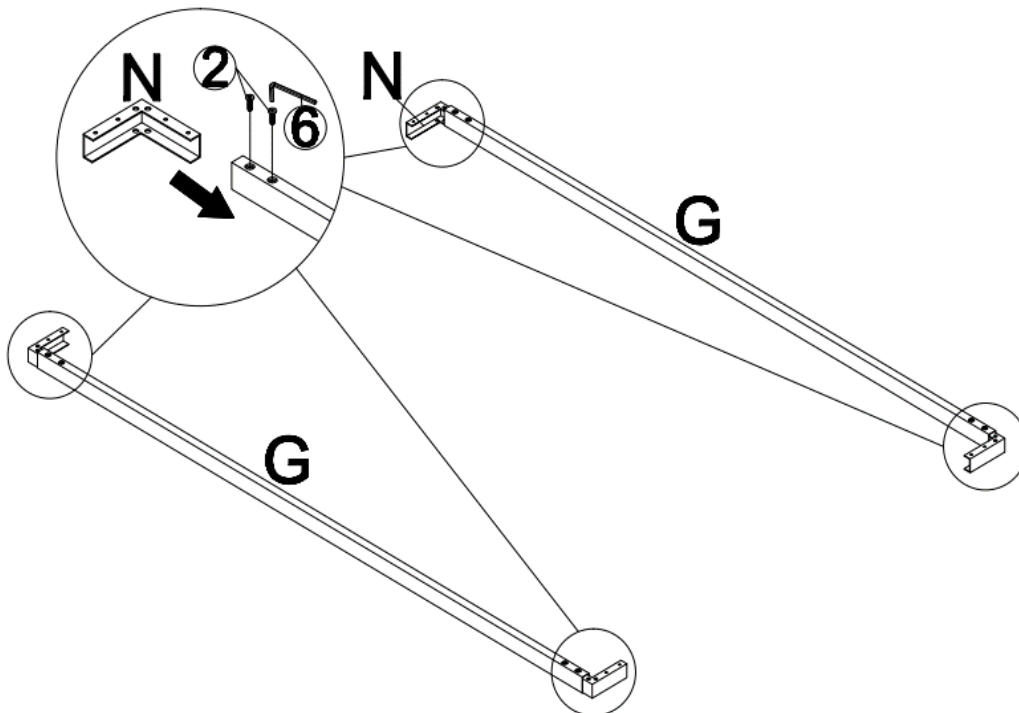
Attach Support Legs(M) to Center Support Rail(L) using Bolts(②) with Allen Key(⑥).

## Step 7



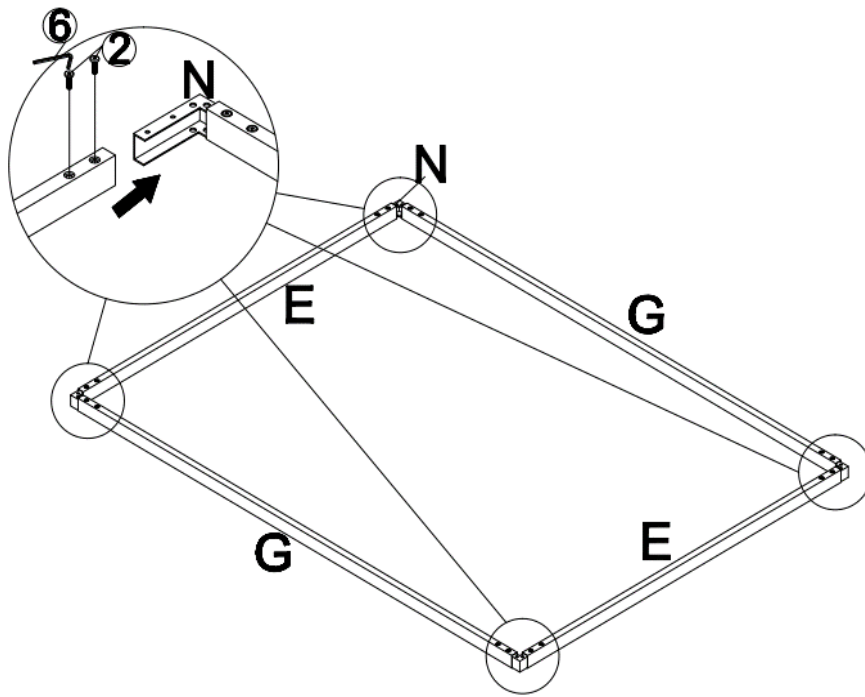
Attach Center Support Rail(L) to Front/Rear Support Rails(J) using Bolts(②) with Allen Key(⑥).

## Step 8



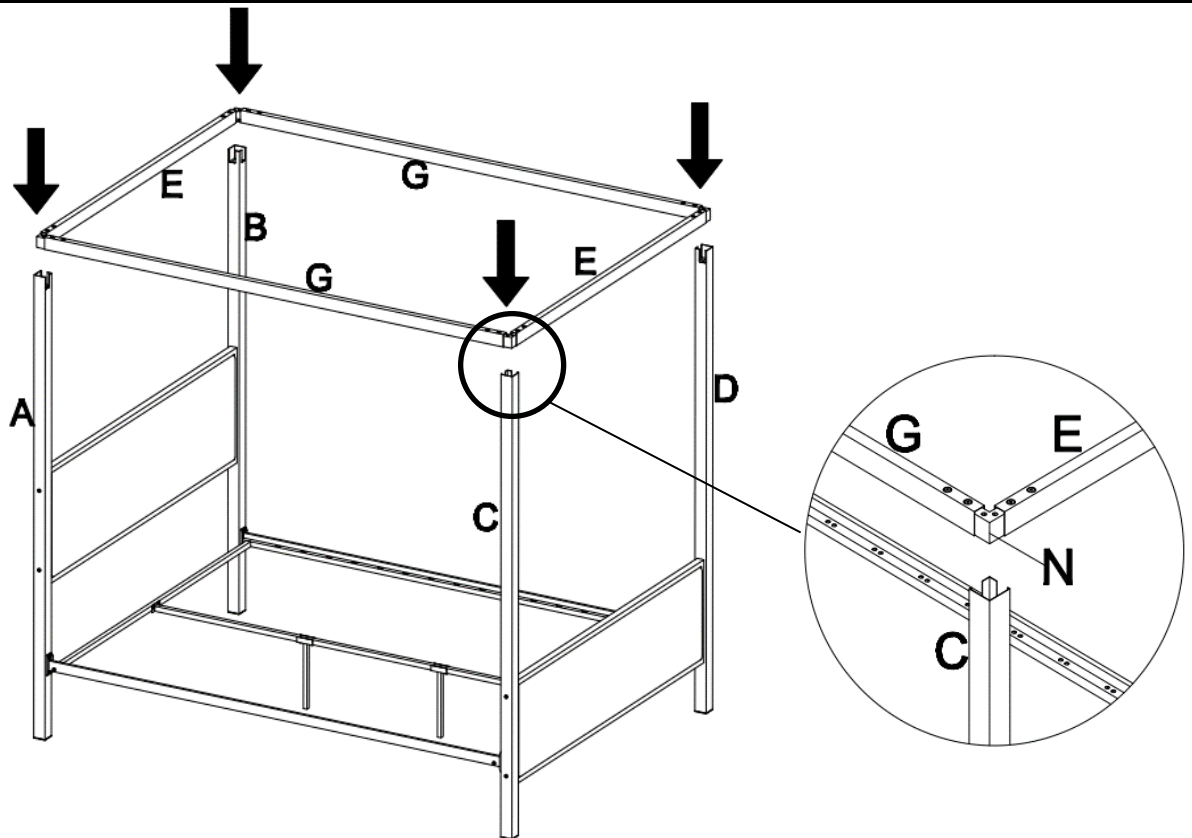
Insert L-shaped Brackets(N) into the mounting position of Long Upper Support Rails(G).  
Attach Long Upper Support Rails(G) to L-shaped Brackets(N) using Bolts(②) with Allen Key(⑥).

## Step 9



Insert L-shaped Brackets(N) into mounting positions of Short Upper Support Rails(E). Attach L-shaped Brackets(H) to Short Upper Support Rails(E) using Bolts(②) with Allen Key(⑥) as shown.

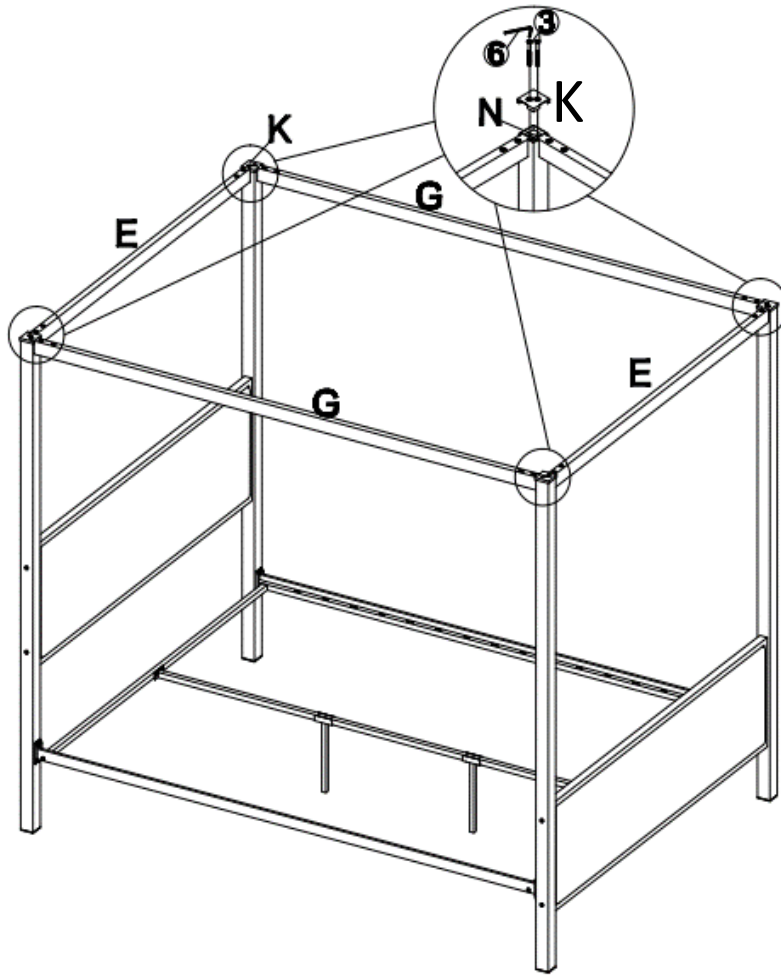
## Step 10



Align the Upper Support Rail Frame(E&G&H) to the mounting positions on Left Headboard Post(A), Right Headboard Post(B), Left Footboard Post(C) and Right Footboard Post(D).

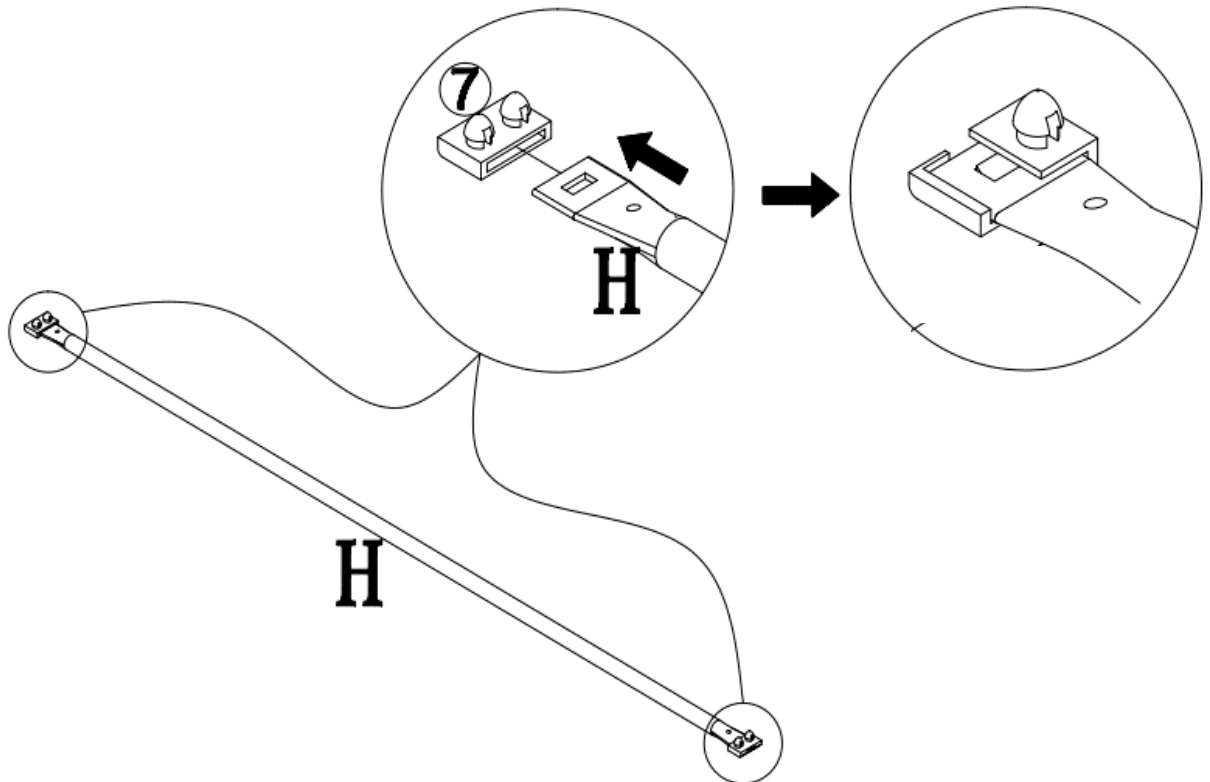
**Note: If necessary, tap L-shaped Brackets(H) to ensure they are fully slotted into position.**

## Step 11



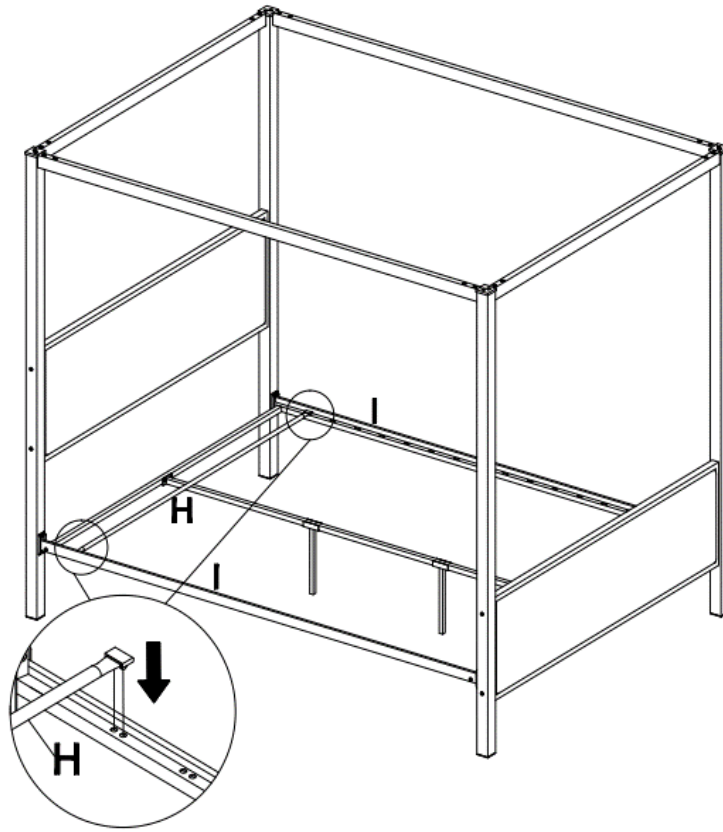
Align the groove of Bracket(K) to L-shaped Bracket(H), attach Bracket(K) to L-shaped Bracket(N) using Bolts(③) with Allen Key(⑥).

## Step 12



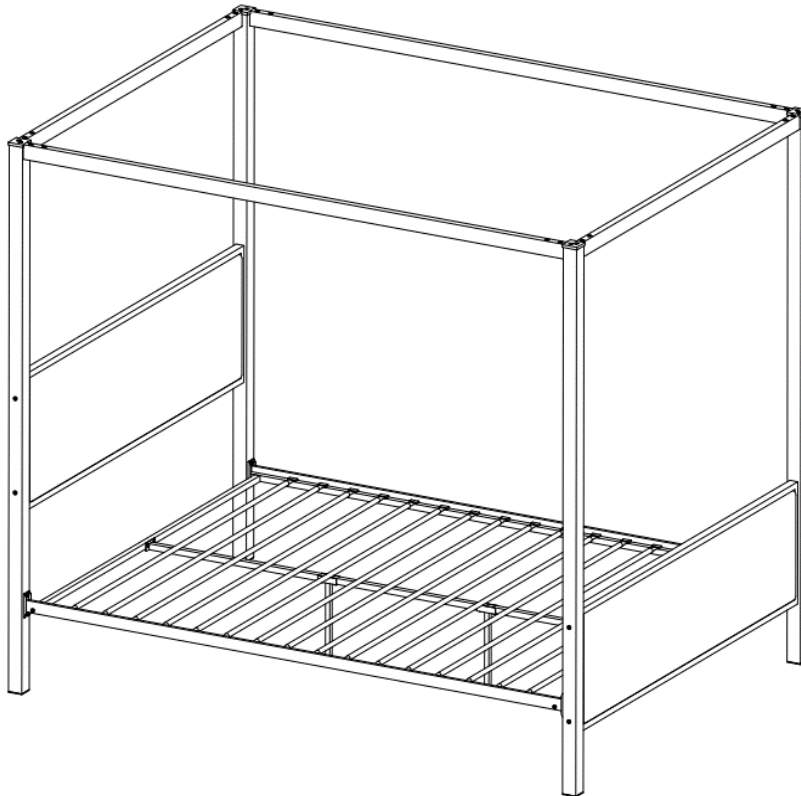
Insert Slat Connectors(⑦) into both sides of Slat(N).

## Step 13













Attach assembled Slat(N) into mounting positions on Side Rails(I).  
Repeat the same step to assemble the remaining Slats(N).

## Step 14



**Now, fully and securely, tighten all Bolts, at all joints.**  
Inspect it and make sure all parts are adequately connected.  
Your Bed is ready for use.  
**This Bed can only be used on a flat, level surface.**

## Care & Maintenance

-  Do not put hot items directly on furniture surface
  -  Do not clean furniture with harsh cleansers or polish.
  -  Do not place furniture under direct sunlight.
  -  Do not place furniture near heating or cooling vents.
  -  Do not write on furniture without a padded barrier to protect the surface.
  -  Do not place furniture outside . For indoor use only .
  -  Not for commercial use. For residential use only .
  -  Stains may be removed with mild soap solution and damp cloth.
  -  Children should not climb or jump on the furniture.
- 
-  Dust and pick-up spills using a clean, non-colored, lint-free cloth .