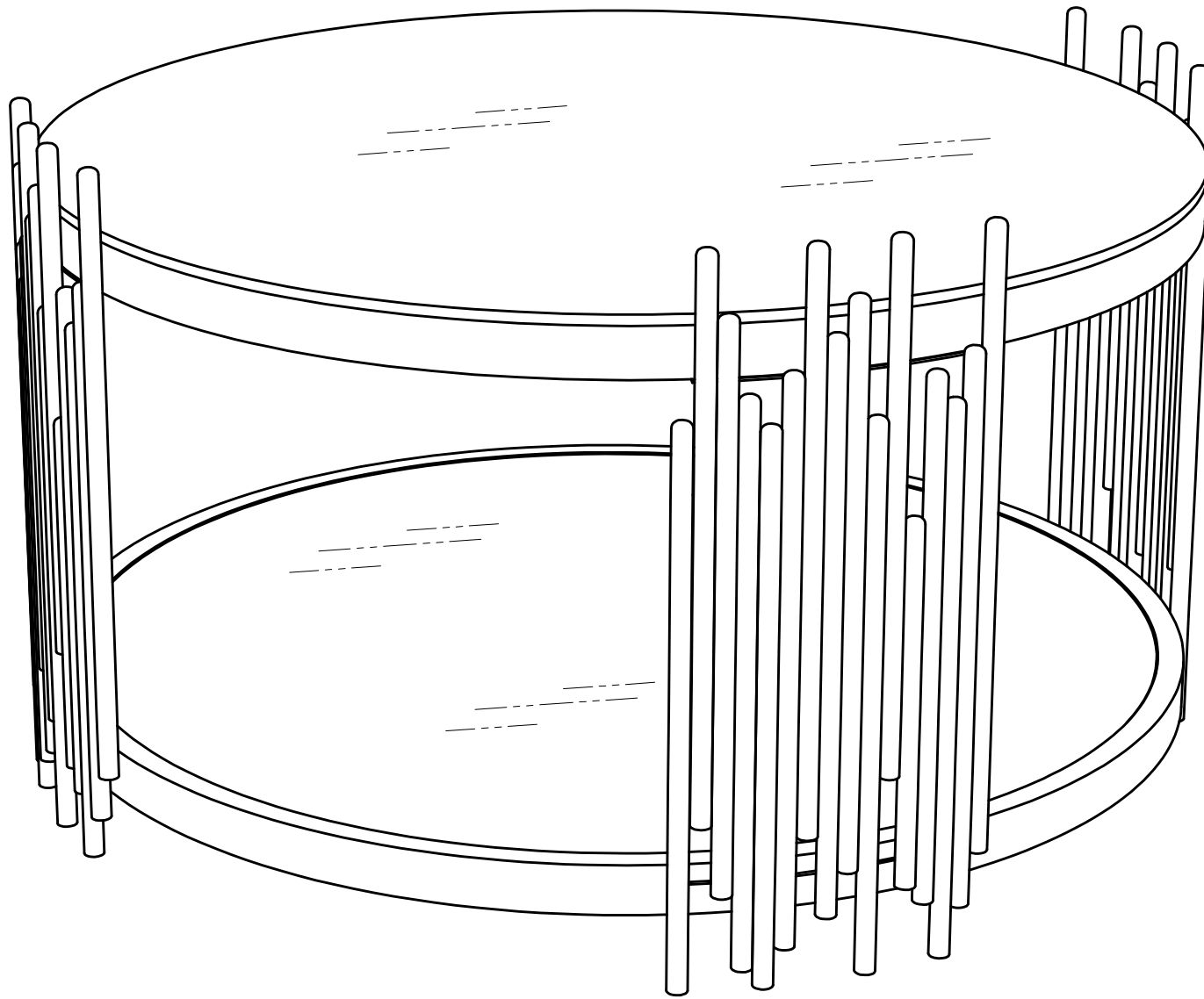
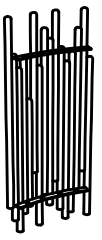
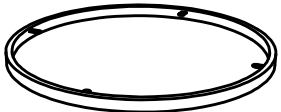

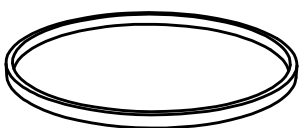
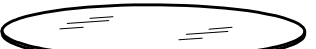



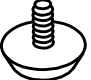



# ASSEMBLY INSTRUCTION



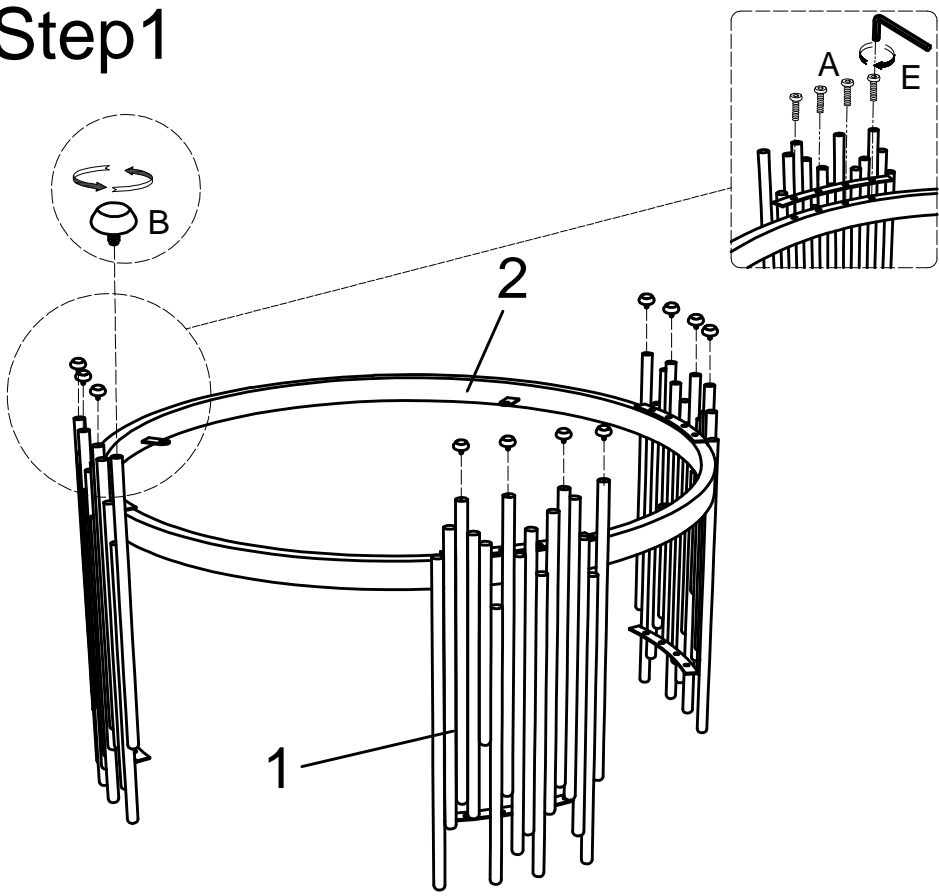
## Parts List

				
Table leg	Metal frame	Glass	Metal frame	Glass
1. 3pcs	2. 2pcs	3. 1pc	4. 1pc	5. 1pc

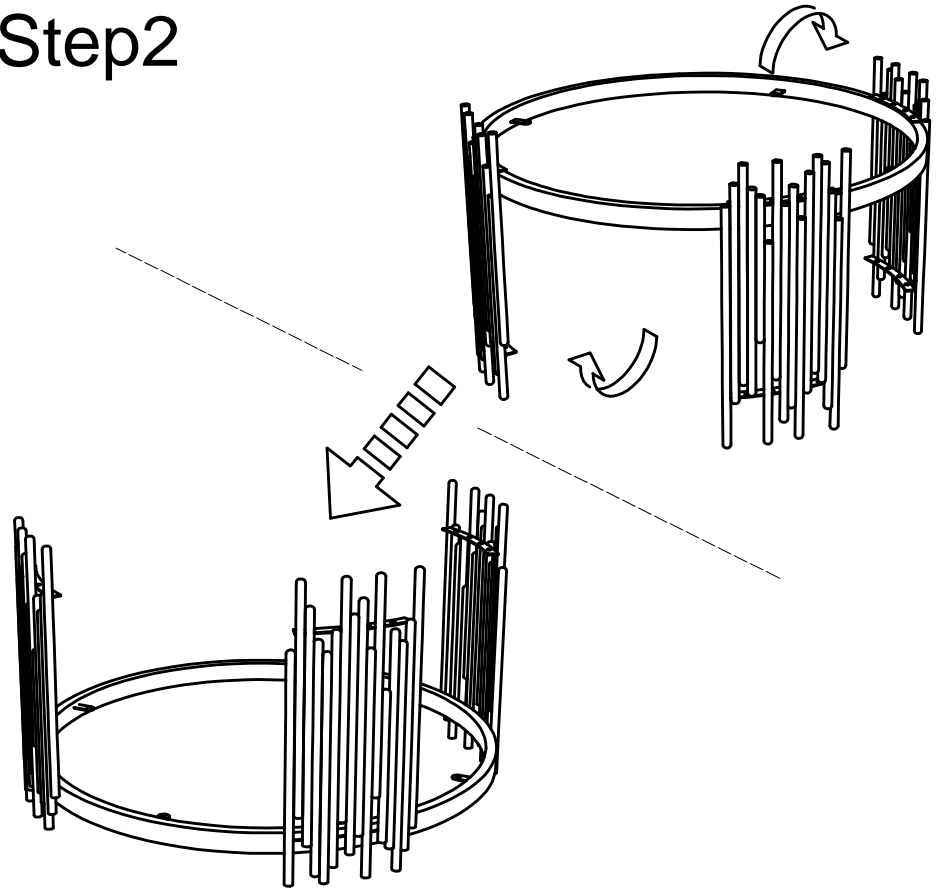
## Hardware List

				
Screw	Tack	Sucker	Rubber mat	Wrench
A. 19pcs	B. 13pcs	C. 5pcs	D 6pcs	E 1pc

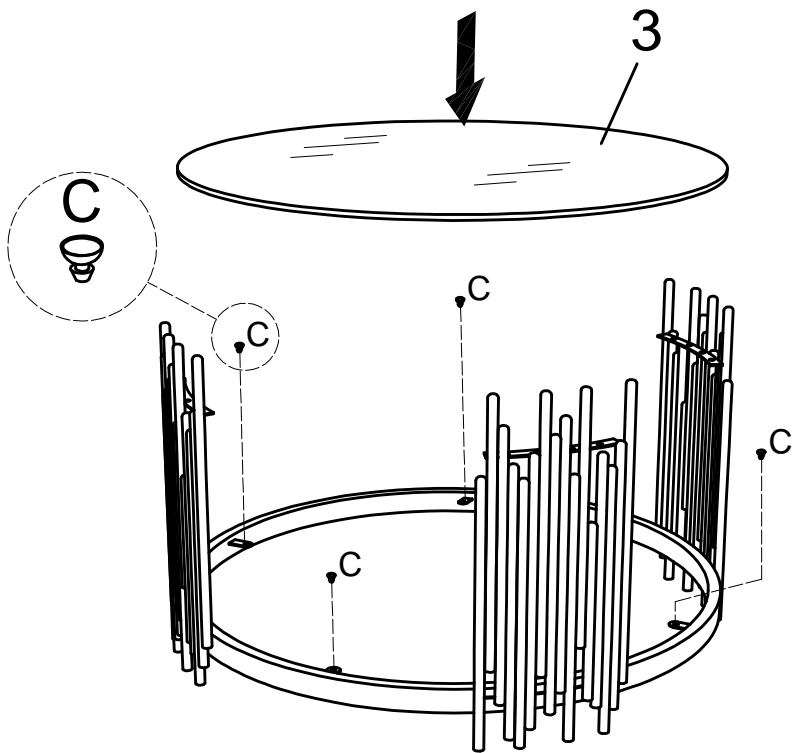
Step1



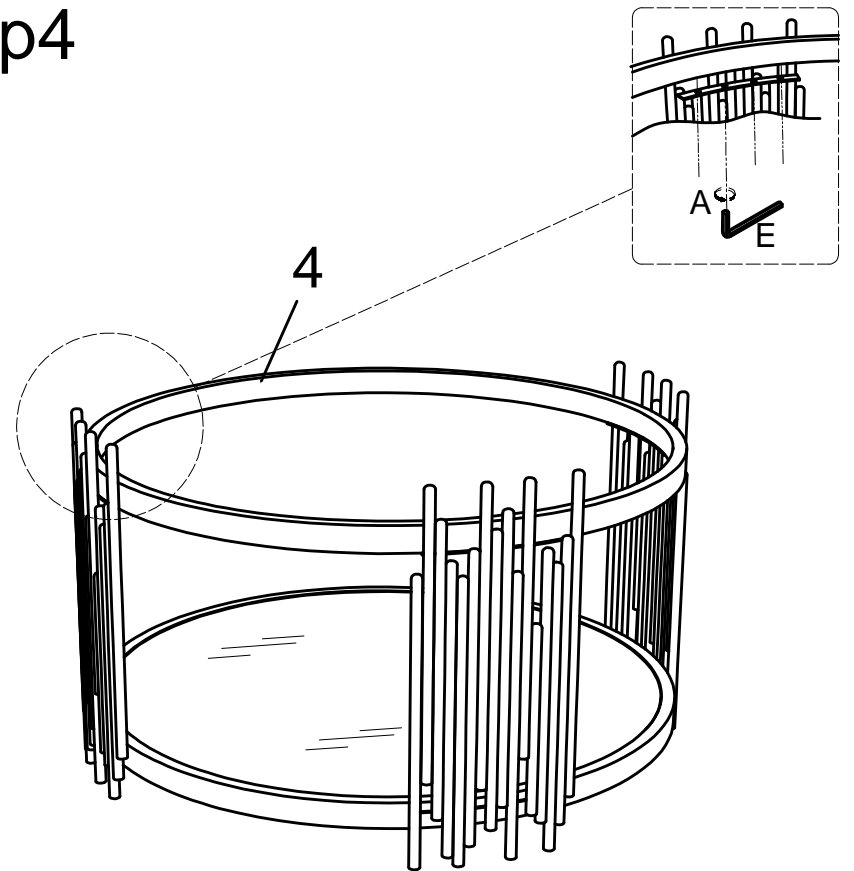
Step2



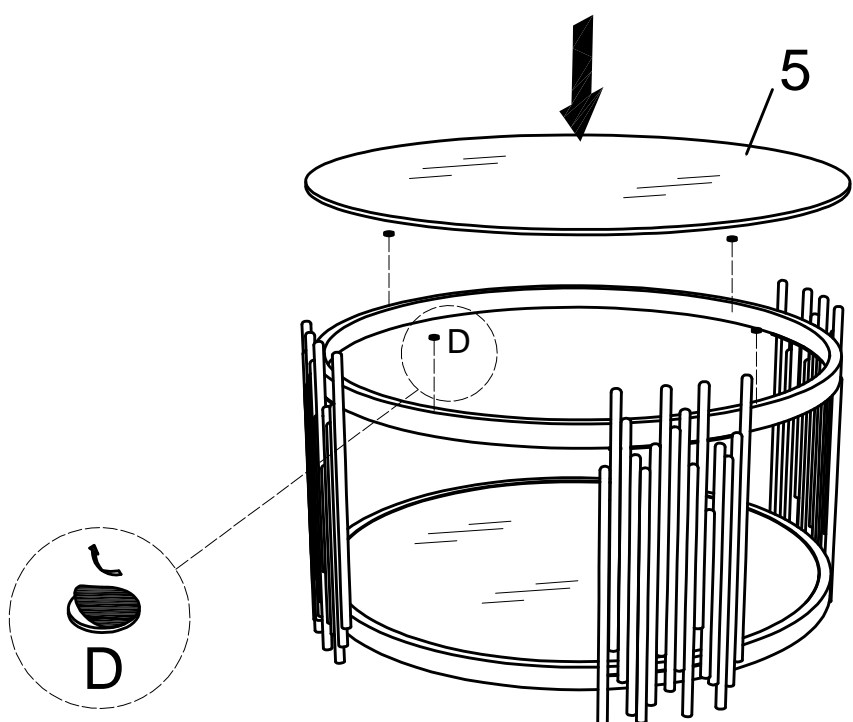
Step3



Step4



Step5



Step6

