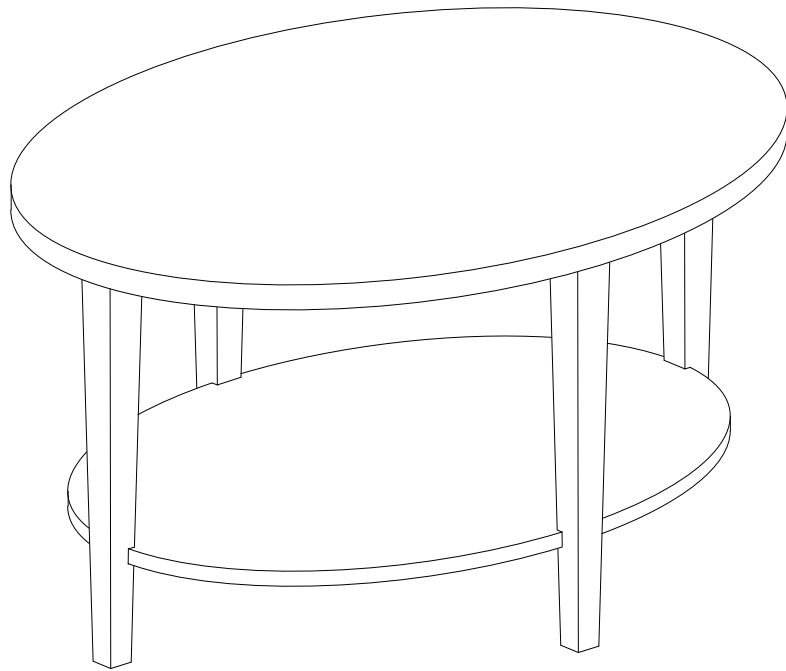
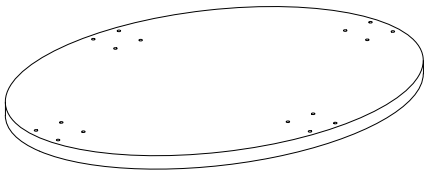


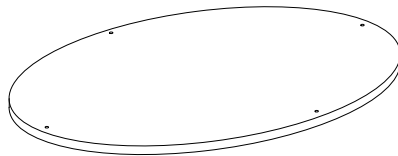
# ASSEMBLY INSTRUCTION FOR SGTT-001



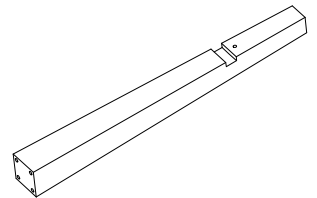
① x1pc



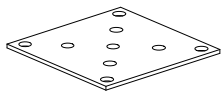
② x1pc



③ x4pcs



Ⓐ x4pcs

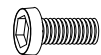


Ⓑ x16pcs



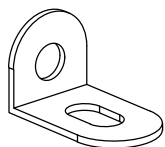
5x40

Ⓒ x24+1pcs

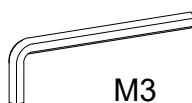


M6x12

Ⓓ x4pcs



Ⓔ



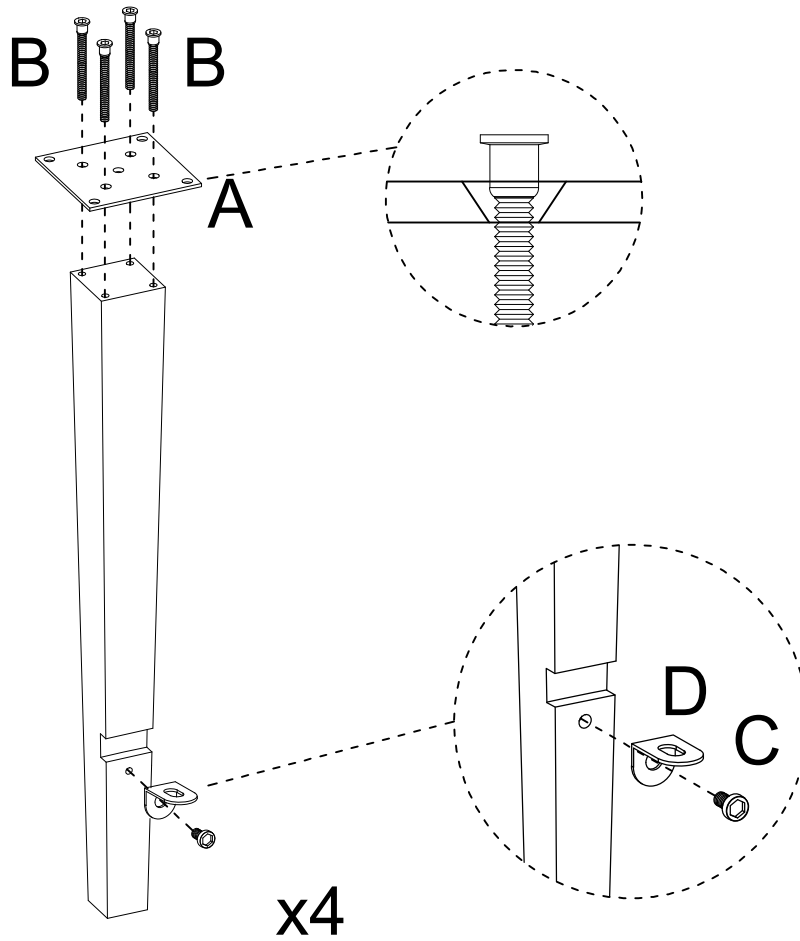
M3



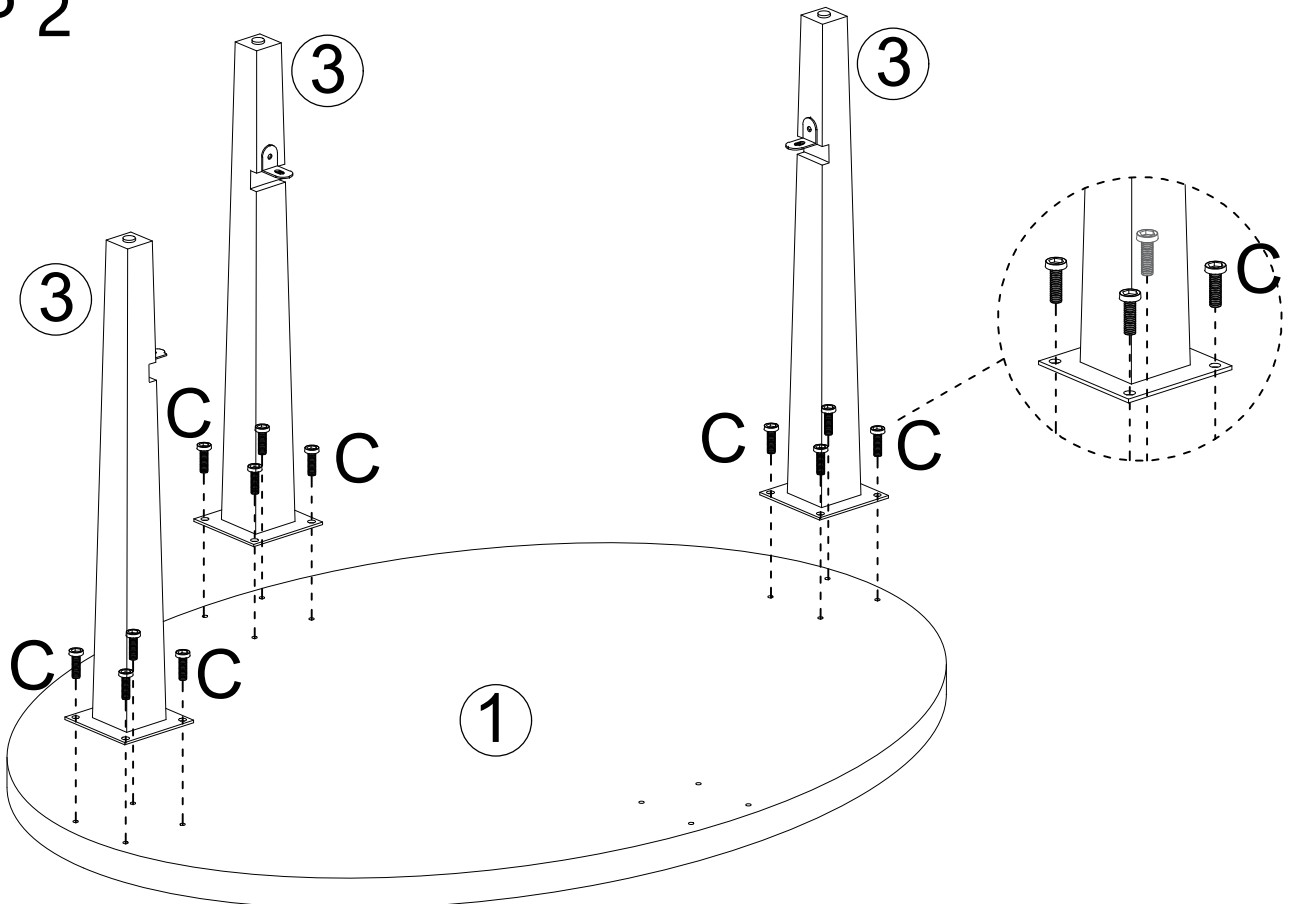
M4

# ASSEMBLY INSTRUCTION FOR SGTT-001

## STEP 1

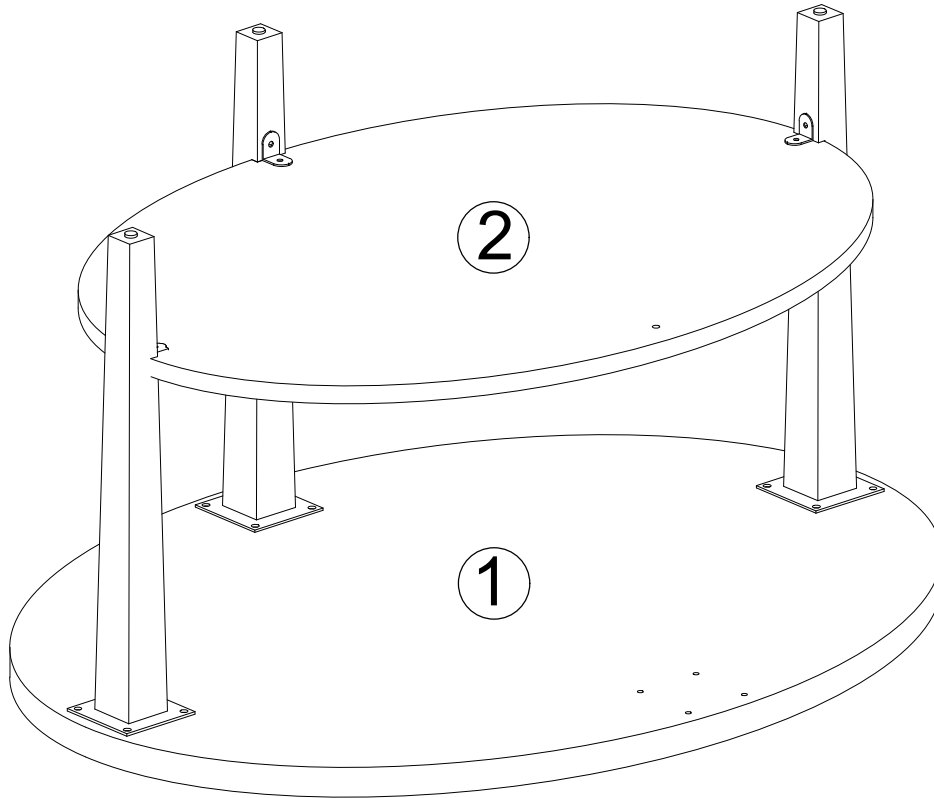


## STEP 2



# ASSEMBLY INSTRUCTION FOR SGTT-001

## STEP 3



## STEP 4

