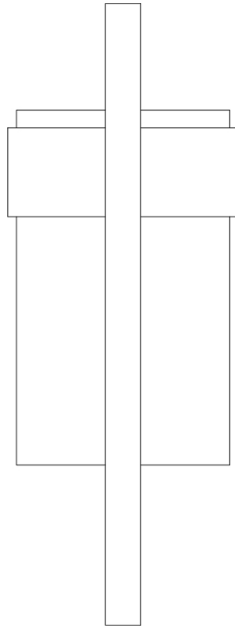


# Instruction Manual

(To reduce the risk of fire, electric shock, or injury to persons):

1. We suggest installation by a licensed electrician.
2. Before you start, A).Go to the main fuse, or circuit breaker, box in your home.  
Place the main power switch in the “OFF” position. B). Place the wall switch in the “OFF” position.
3. Make sure that the ceiling or wall can bear the weight of the lamp before fixture.
4. Make sure the voltage you are using is 120V. The maximum wattage is 60W per bulb.
5. When replacing bulb, you should turn off or unplug the lamp and you must wait until it is cool as bulbs get hot quickly.
6. The safety instructions appearing in this manual are not meant to cover all possible conditions that may occur.



## Accessories List:



Screw



Wire connector

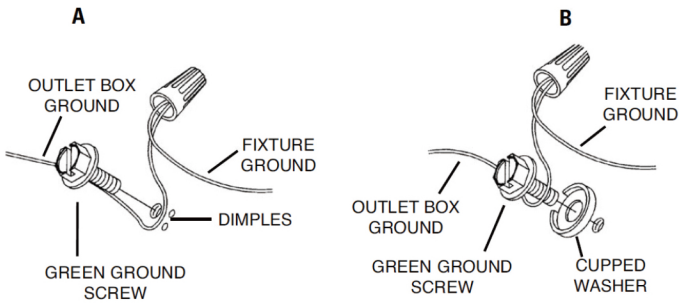


Instruction

# Installation Procedures:

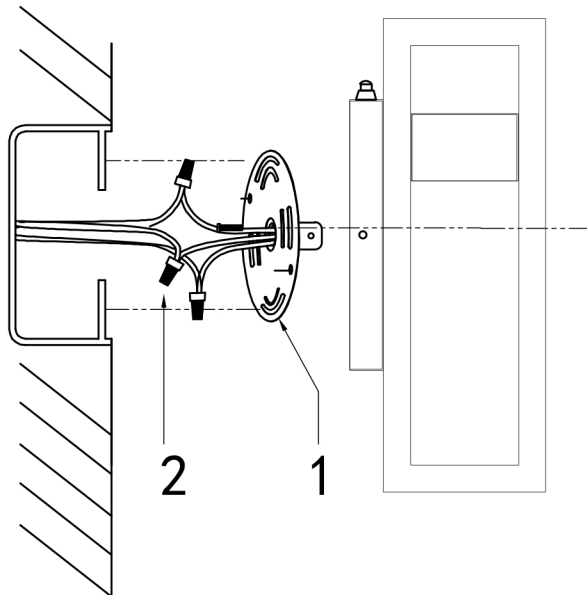
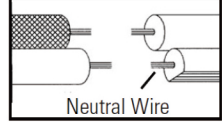
## First:

- A) Open the package and take out all the parts or accessories, then place them on a clean flat place.
- B) Please turn off the power.



Connect Black or Red Supply Wire to:	Connect White Supply Wire to:
Black	White
*Parallel cord (round & smooth)	*Parallel cord (square & ridged)
Clear, Brown, Gold or Black without tracer	Clear, Brown, Gold or Black with tracer
Insulated wire (other than green) with copper conductor	Insulated wire (other than green) with silver conductor

\*Note: When parallel wires (SPT I & SPT II) are used. The neutral wire is square shaped or ridged and the other wire will be round in shape or smooth (see illus.)



If you encounter any problems during installation, such as not knowing how to install components or missing accessories, please contact us immediately through the 'Contact Seller' option on your order page. We will resolve your issue promptly.

1. Securely mount the mounting plate to the junction box.
2. Connect the power supply wires (L [Live], N [Neutral], E [Earth/Ground]) to the junction box terminals.
3. Lock the lamp body onto the mounting plate by rotating the ball nuts.
4. This model features an automatic light sensor. When powered, the light fixture will illuminate automatically in low ambient light and extinguish when sufficient light is detected. Please ensure the sensor remains unobstructed for proper functionality.