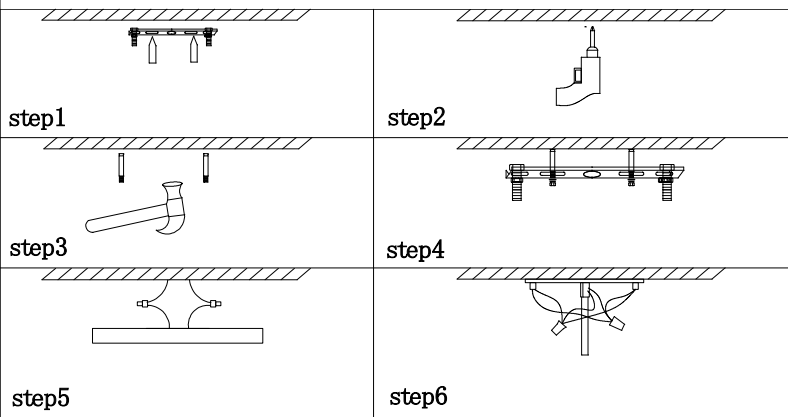


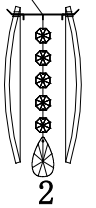
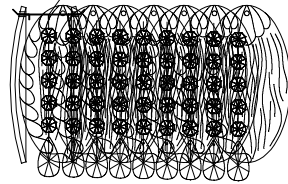
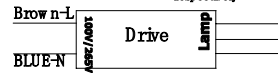
# Installation instructions




Model: CY8801-Φ600 L:LED

Drive wiring.

Remarks: Connect a group of the same colour to a group. Connect the red and black lines respectively.



## List of materials

num ber	Nam e	Quantity	Expl ain
1		33	
2	18#*5+ 50#	48	
3			
4			
5			
6			

1. THIS PRODUCT IS SUITABLE FOR THE POWER OF 110V.
2. PLEASE WEAR GLOVES AS INSTALLMENT AND AVOID ROT ON THE PLATE SURFACE.
3. PLEASE TURN OFF THE POWER SOURCE BY THE TIME OF CLEANING, AND MUST USE SOFT CLOTH.
4. PROHIBITED TO USE CORROSIVE DETERGENU.
5. MUST INSTALL IN THE STABLE PLACE, AND DO USUALLY PERIODICAL CHECKING.