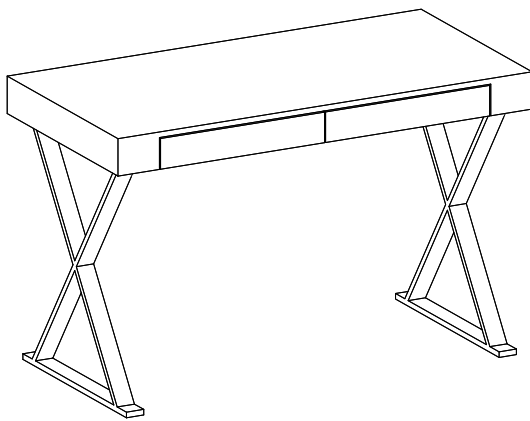






Thank you for purchasing

Before you start, here is some helpful advice:

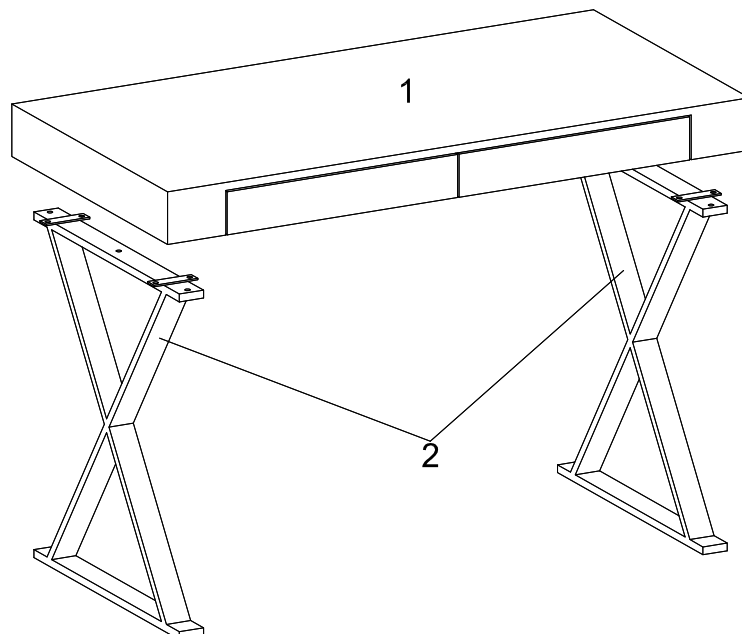
1. We suggest you spend a short time reading through this leaflet and then follow the simple step by step instructions.
2. Owing to the size and weight of the desk, we recommend that it is assembled by two adults, on a carpeted or padded area, in the room that it is intended for. Approx assembly time: 15 minutes.
3. Please do not use any tools other than those provided or recommended in these instructions.
4. Please do not throw away any of the packaging or instructions until you have checked all the components and hardware and the furniture is fully assembled.
5. Assemble all components loosely until advised to tighten. Depending on use, it may be necessary to tighten the components from time to time, so please save the tools that have been provided.
6. Please keep all pieces out of reach of small children.



Hardware:

A		Bolt M8x30mm	x6
B		Bolt M8x16mm	x8
C		Flat Washer	x14
D		Allen Wrench	x1

Component:



1 Desk Top x1

2 Leg x2

STEP 1:

Please put the desk's **Top (1)** upside down on a carpeted or padded surface as shown .

Attach one of **Legs (2)** into the bottom of **Top (1)** by using 4pcs **Bolts (B)** and 4pcs **Flat Washers (C)**.

Do not fully tighten **Bolts (B)** at this time.

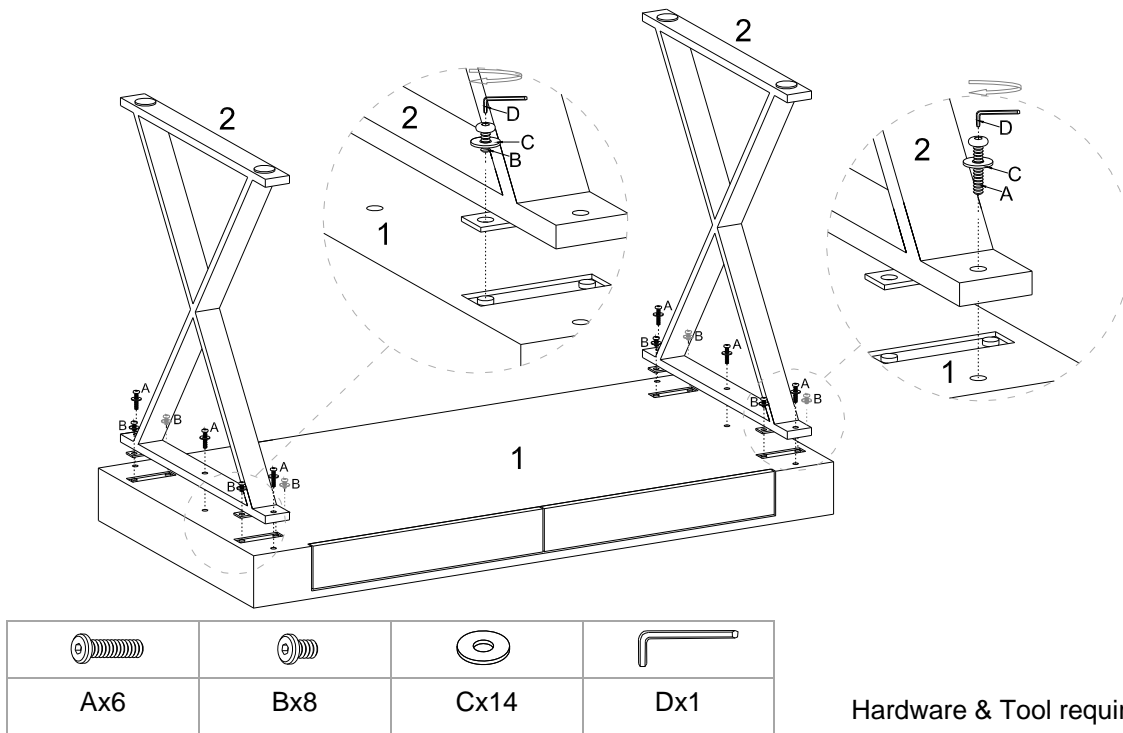
Note that **Bolts (B)** are used for the four protruding areas as shown in the left close-up illustration.

Attach 3pcs **Bolts (A)** with 3pcs **Flat Washers (C)** into the holes on the bottom of **Top (1)** through holes on **Legs (2)** as shown.

Use **Allen Wrench (D)** to tighten the **Bolts (A)** and **Bolts (B)** clockwise until secure.

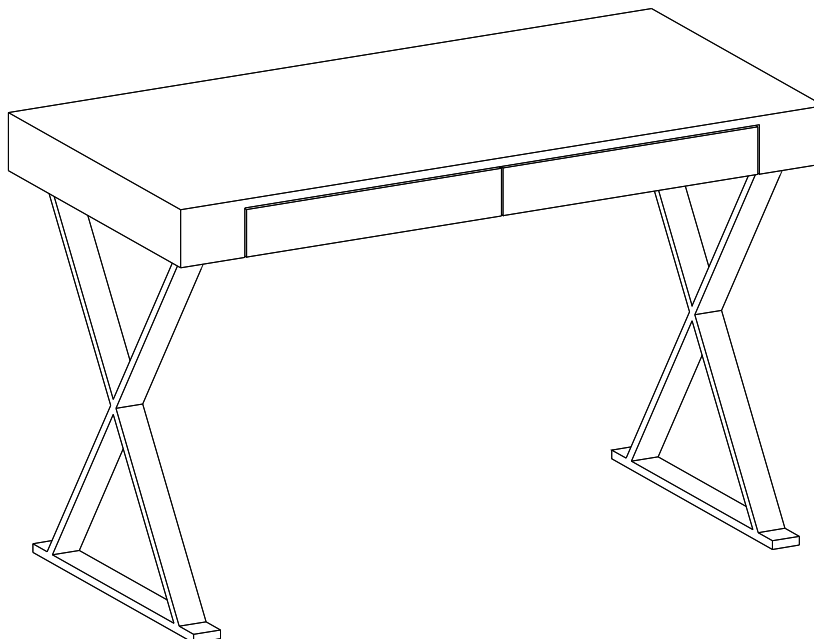
Note that **Bolts (A)** are used for the three holes in the center region of each leg, as shown in the right close-up illustration.

Repeat the same steps for assembling the other **Leg (2)**.



STEP 2:

Carefully turn over the desk.



Assembly is completed. The desk is ready to enjoy now!