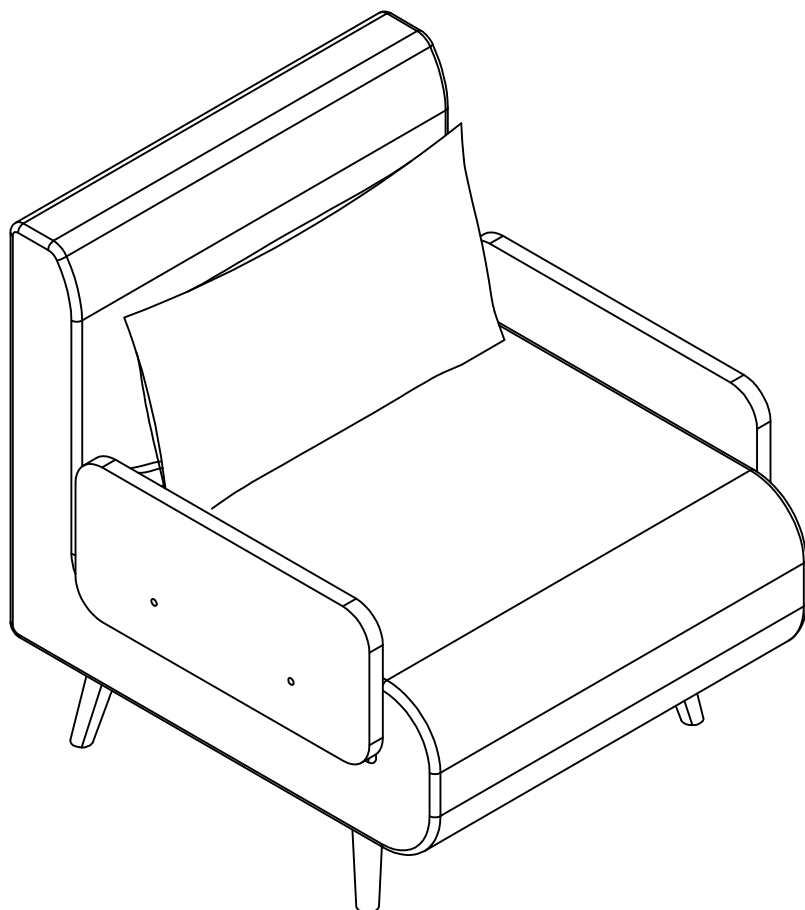


Assembly Guide

sofa bed



Tips: Do not throw away packing materials until assembly is complete for small parts may come loose inside the carton during shipment. If parts are missing, please contact us. Assemble this item on a soft surface, such as carpet to protect the finish.

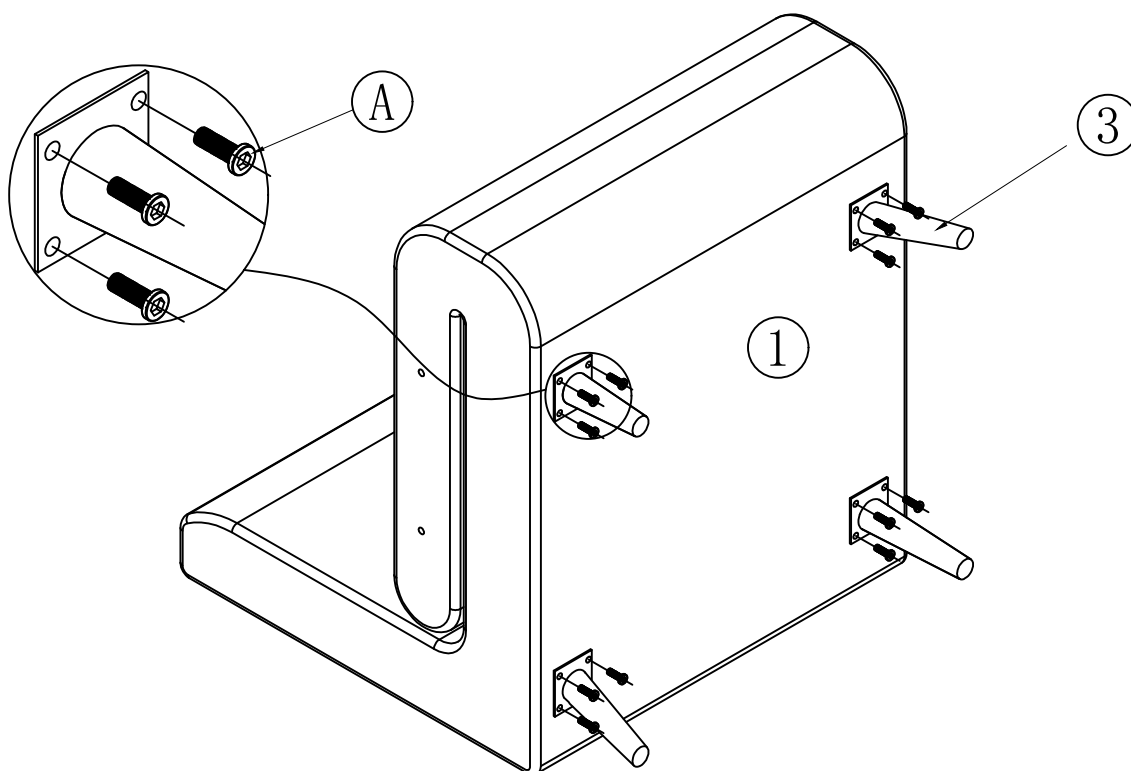
PARTS LIST

sofa=1	armrest=2	feet=4	pillow=1

HARDWARE LIST

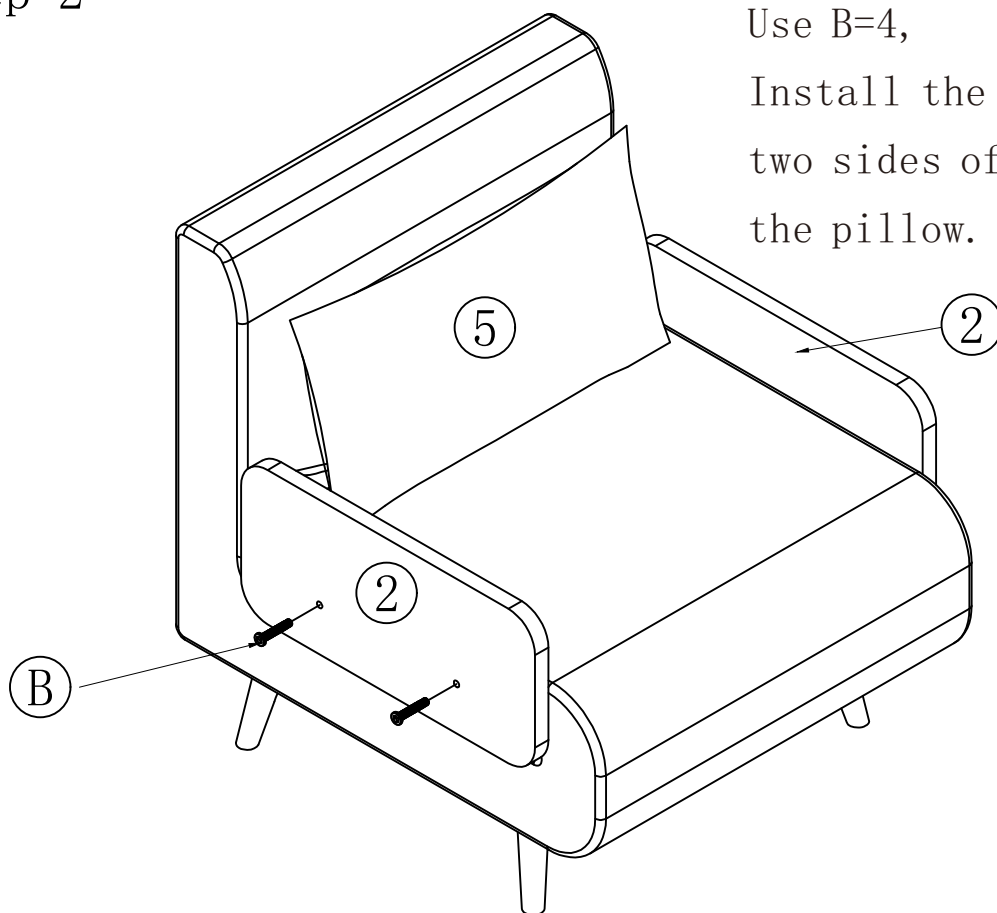
M8*15 hexagon socket screws=16	M8*30 hexagon socket screws=4	hexagon wrench=1	Phillips head screw driver required for assemble---not include

Step 1



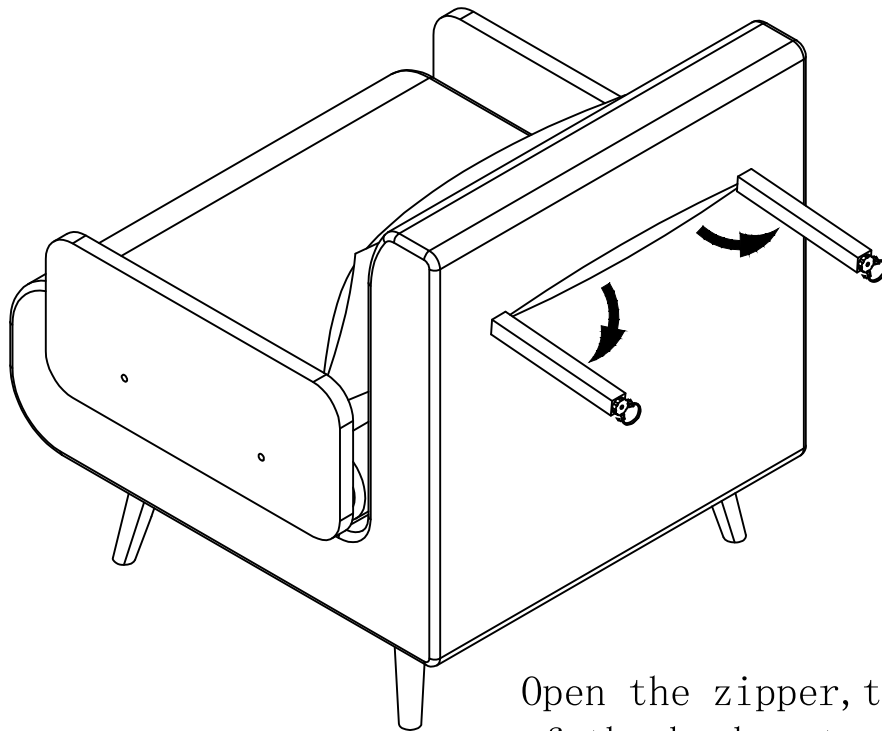
Use four pcs(A) to install ③ sofa feet.

Step 2



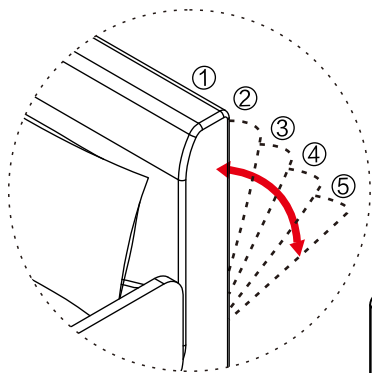
Use B=4,
Install the ② armrest on the
two sides of sofa. Place ⑤
the pillow.

Step 3



Open the zipper, then put the leg of the backrest out from inside. The adjustable leg can be adjustment according to the height of the ground.

Step 4



Unfold the sofa into a sofa bed
1. Open the seat cushion.
2. Push the backrest forward.
3. Then push the backrest down.

