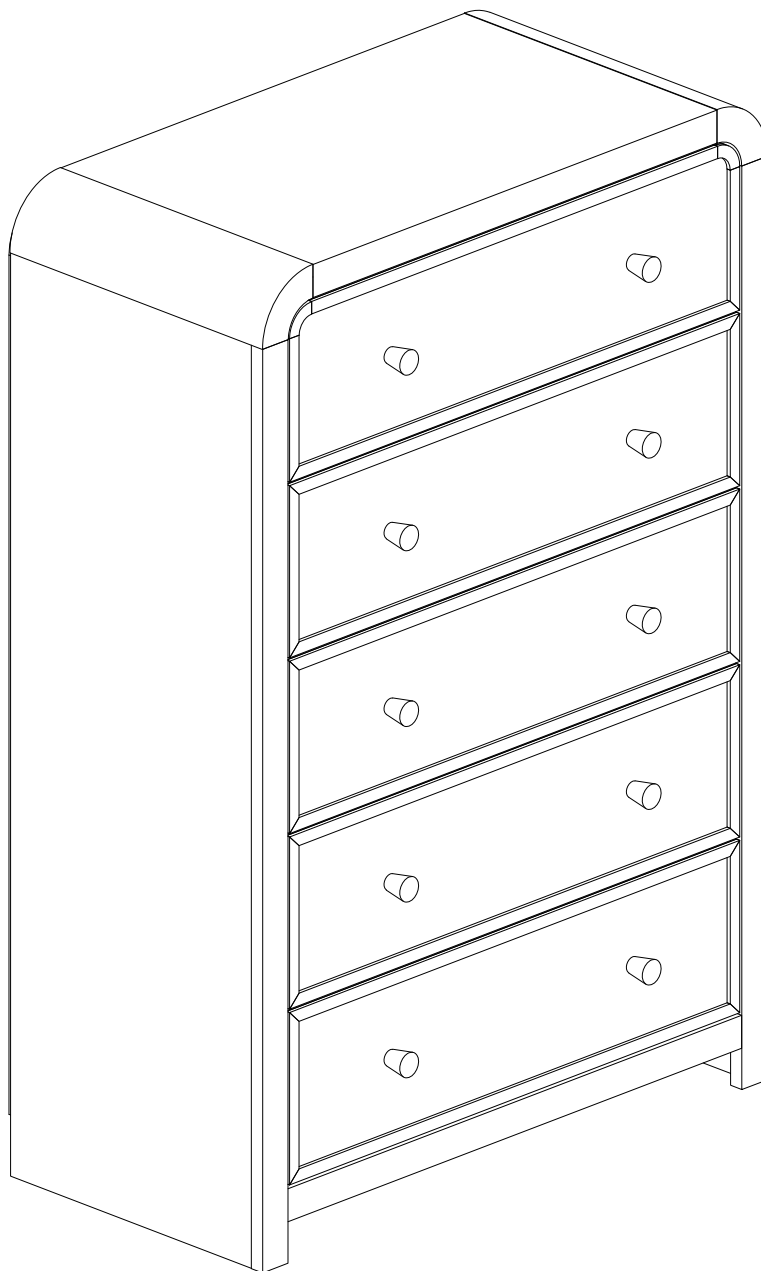


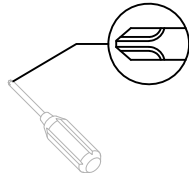
US520

Assembly Instructions

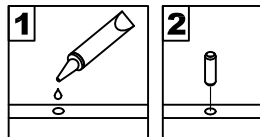


General Assembly Guidelines

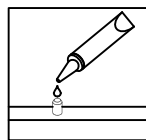
- I. Ensure that all parts and hardware are available before beginning assembly.
- II. Follow each step carefully to ensure the proper assembly of this product.
- III. Two people are recommended for ease in the assembly of this product.
- VI. A Phillips head screwdriver is required for the assembly of this product .



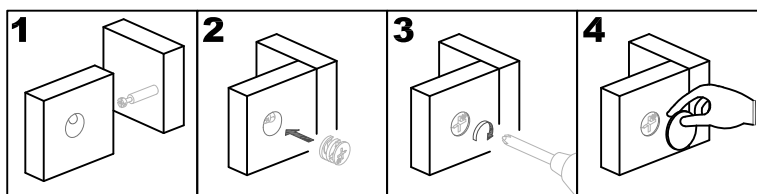
- V. The provided glue is to secure wood dowels in place . When first inserting dowels , locate the appropriate hole for the dowel , place a small amount of glue in the hole and insert the dowel . Wipe away excess glue immediately.



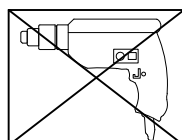
In future assembly steps when dowels are necessary to attach assembly parts together , place a small amount of glue on the end of the dowel before attaching parts together . Wipe away excess glue immediately.



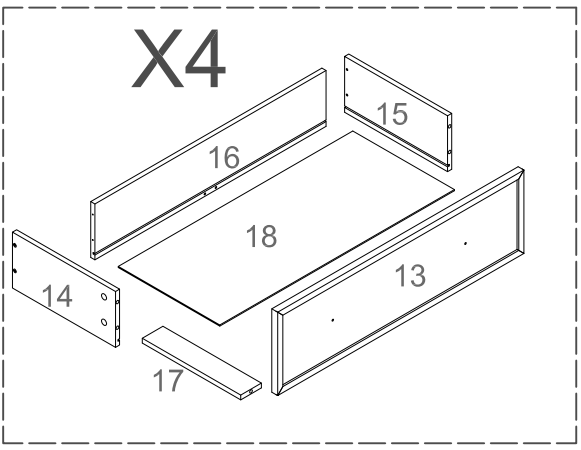
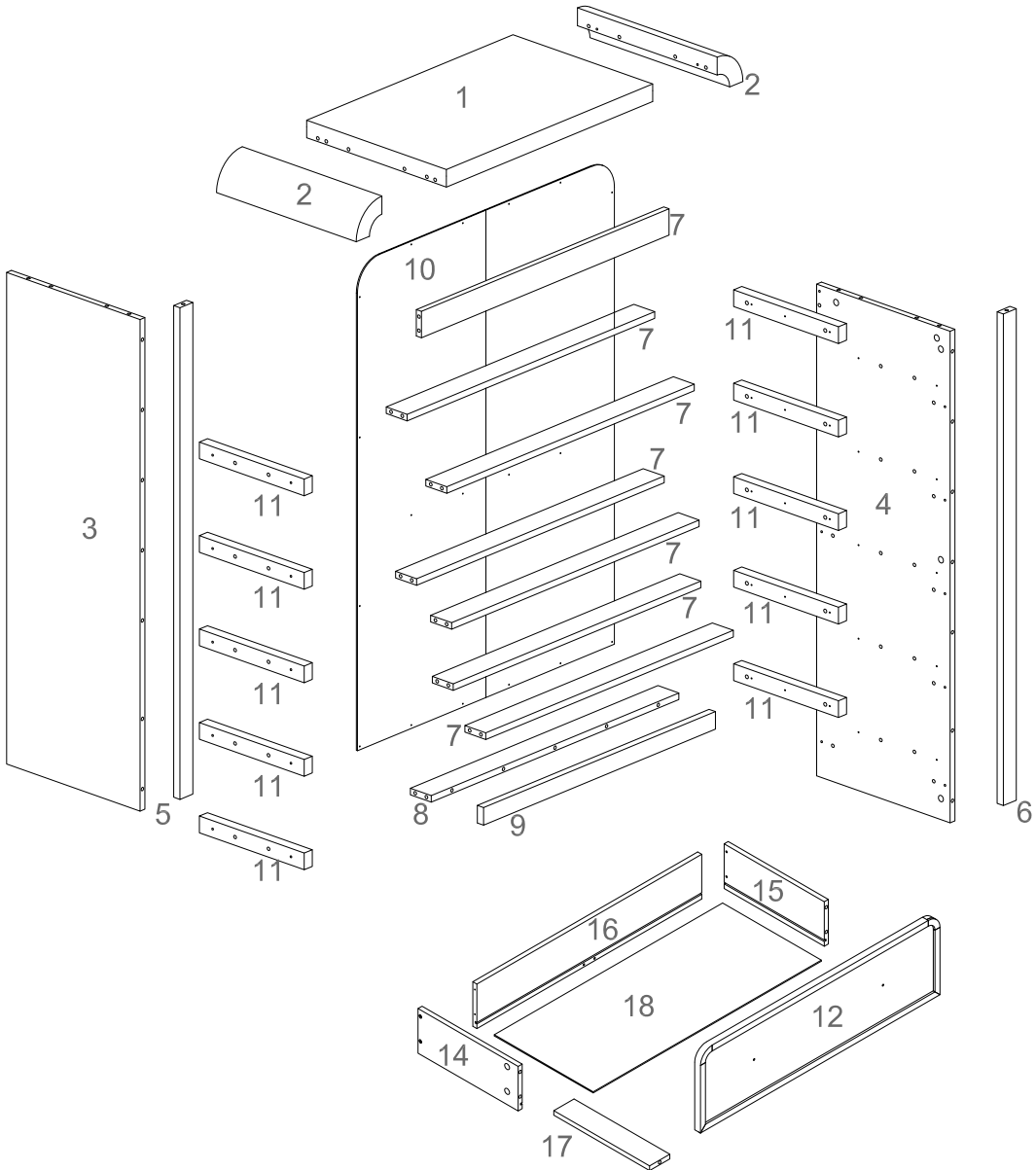
- VI. **HOW THE KNOCK DOWN (KD) ASSEMBLY SYSTEM WORKS**
 - 1.Screw the Cam Bolt into the pre-drilled hole on the panel. Make sure Cam Bolt goes into the pre-drilled hole on the end of panel for Cam Lock.
 - 2.Insert the Cam Lock into the pre-drilled large hole on the panel. Make sure the arrow on the face of Cam Lock points towards Cam Bolt.
 - 3.Take a Phillips screwdriver and rotate the Cam Lock clockwise to lock the Cam Bolt.
 - 4.Use the sticker to conceal the Cam.






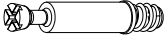


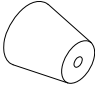










- VII. Power tools should not be used to assemble this product .

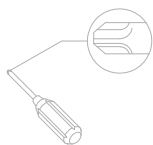


Parts List



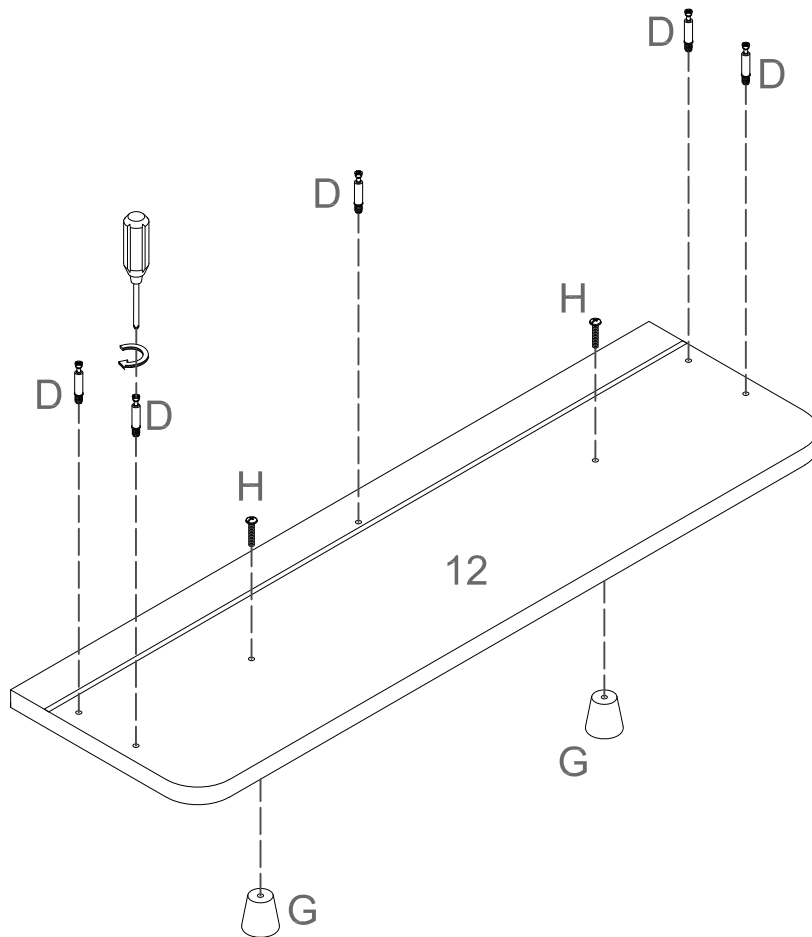
Hardware List

A		Ø8x30mm	Dowel	60 pcs
B		Ø6x35mm	Cam Bolt	33 pcs
C		Ø15x12mm	Cam Lock	33 pcs
D		Ø7x40mm	Cam Bolt	25 pcs
E		Ø15x10mm	Cam Lock (Small)	25 pcs
F		Ø30mm	Cover	58 pcs
G			Handle	10 pcs
H		M4*22mm	Handle bolt	10 pcs
I		Ø3.5x15mm	Screw	20 pcs
J		Ø3x12mm	Screw	60 pcs
K		Ø4*32mm	Screw	50 pcs
L		12"	Left cabinet member	5 pcs
M		12"	Right cabinet member	5 pcs
N		12"	Left drawer runner	5 pcs
O		12"	Right drawer runner	5 pcs
P			Glue Tube	1 pc
Q			Tipping Restraint Hardware	2 sets

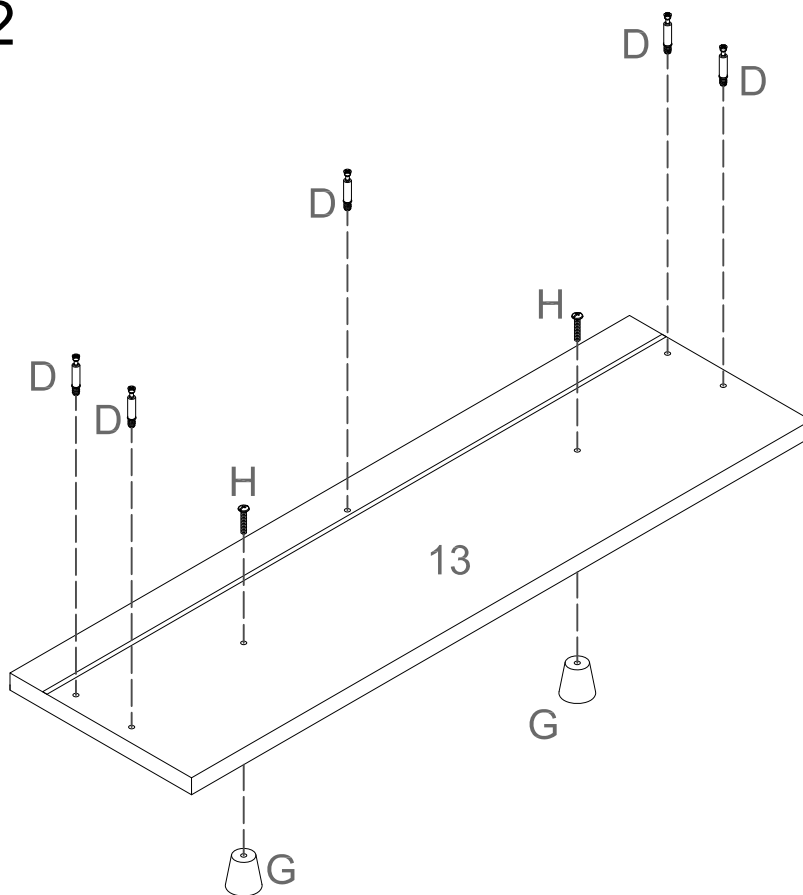


Philips head screwdriver required for assembly
(not included)

Step 1

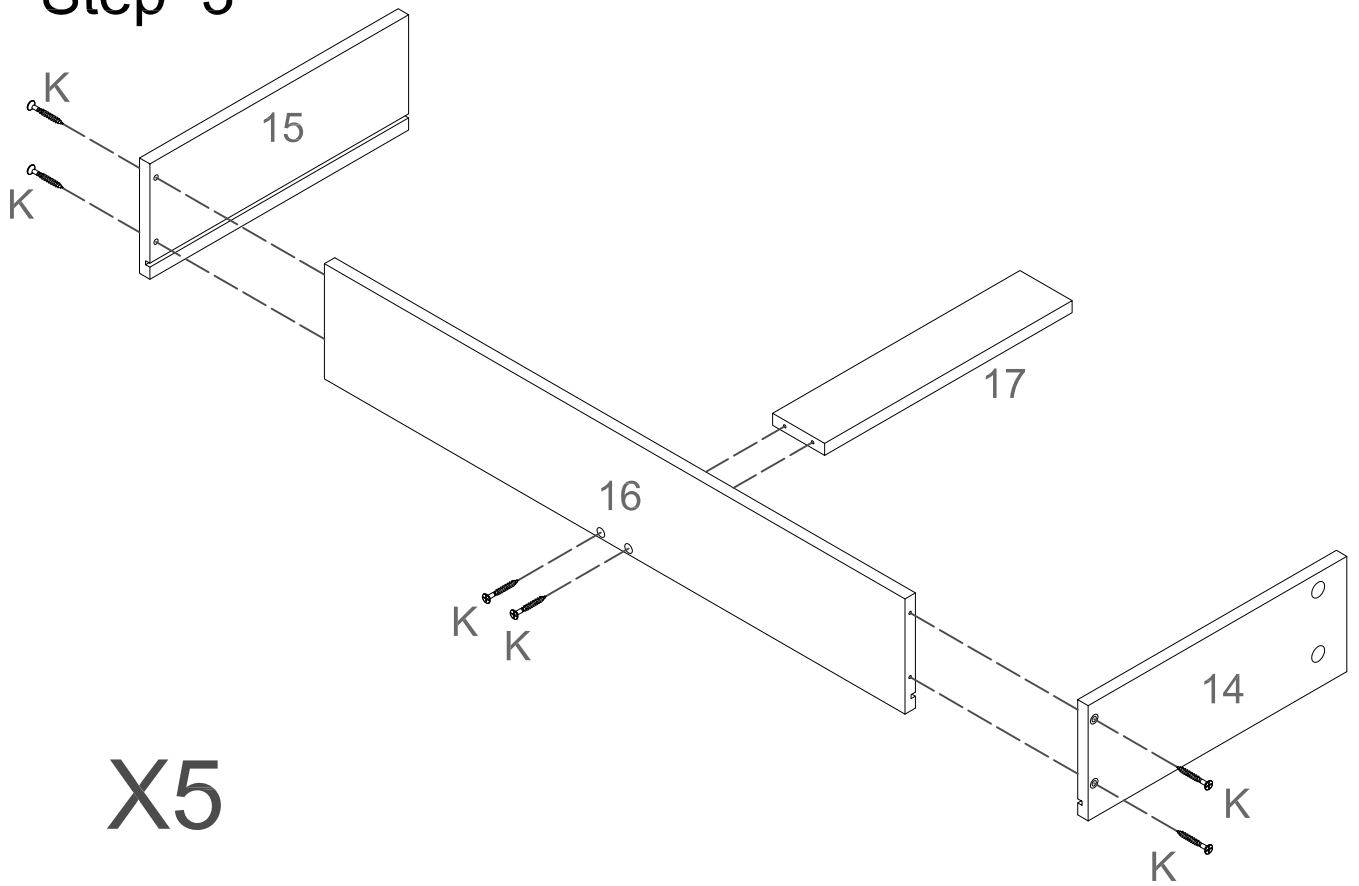


Step 2

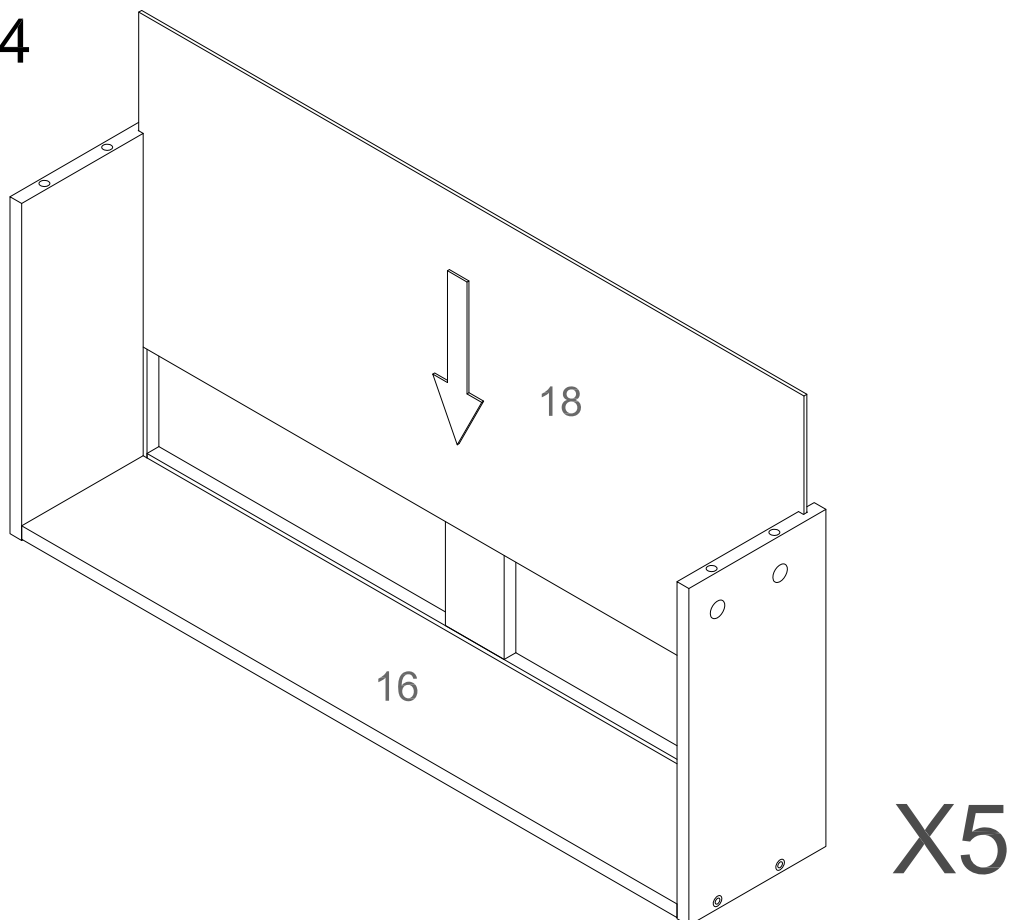


X4

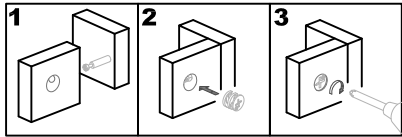
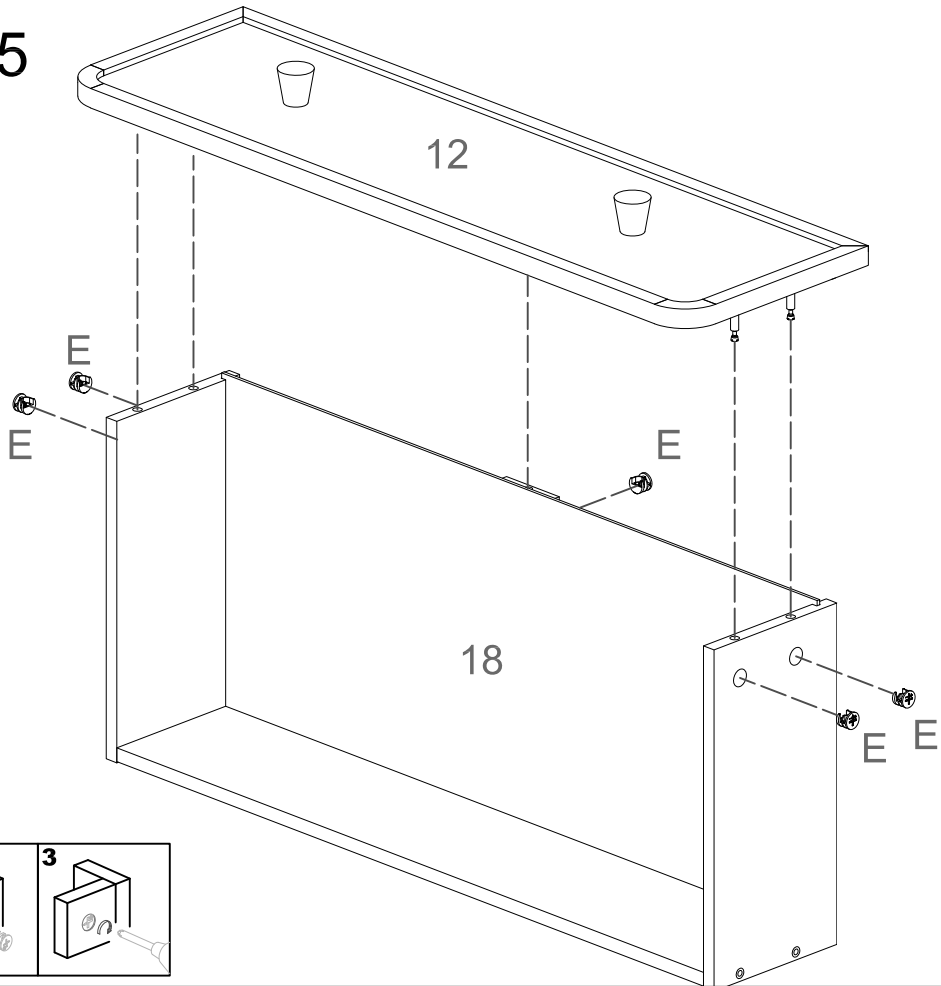
Step 3



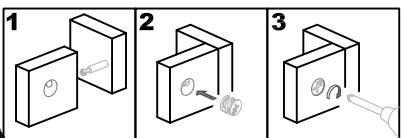
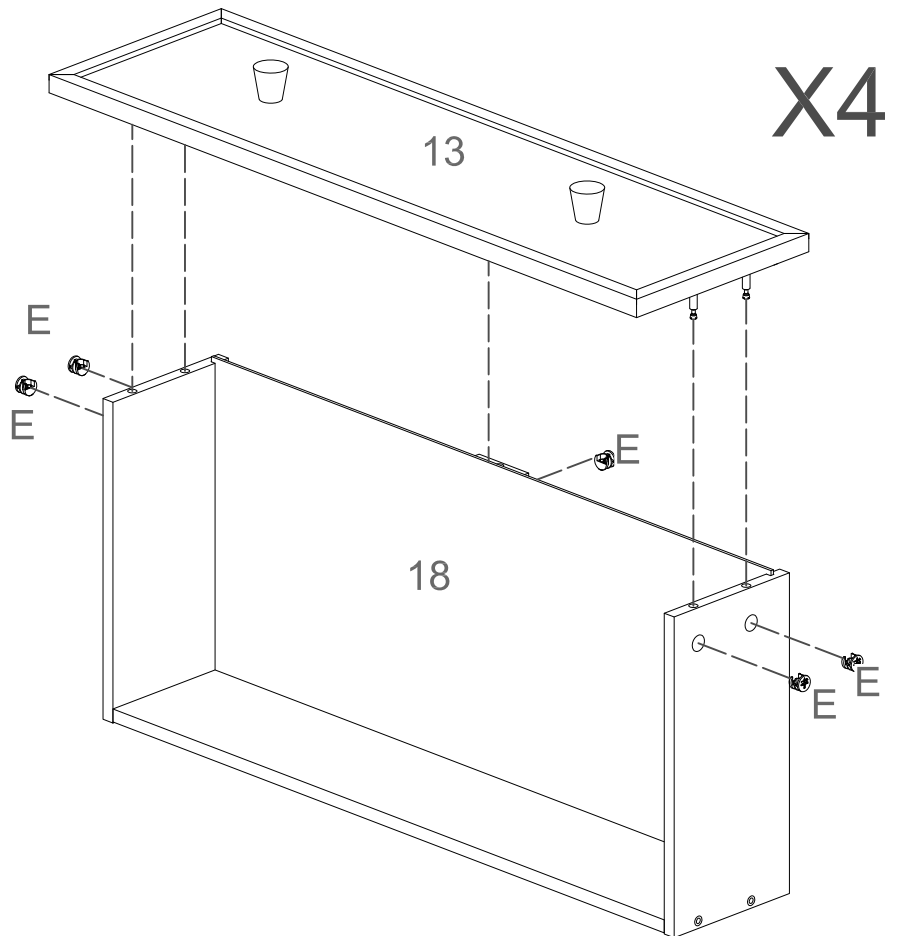
Step 4



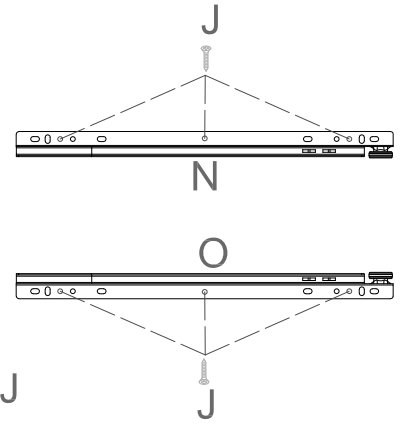
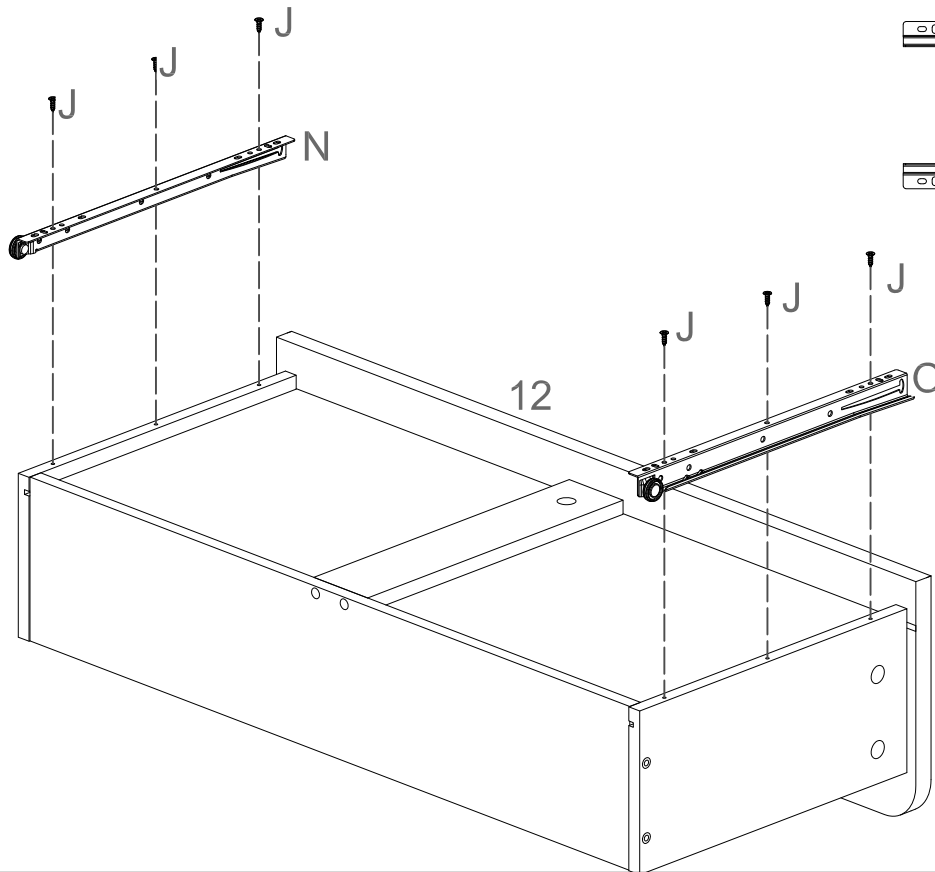
Step 5



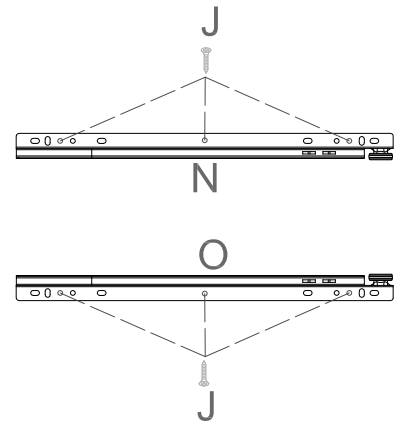
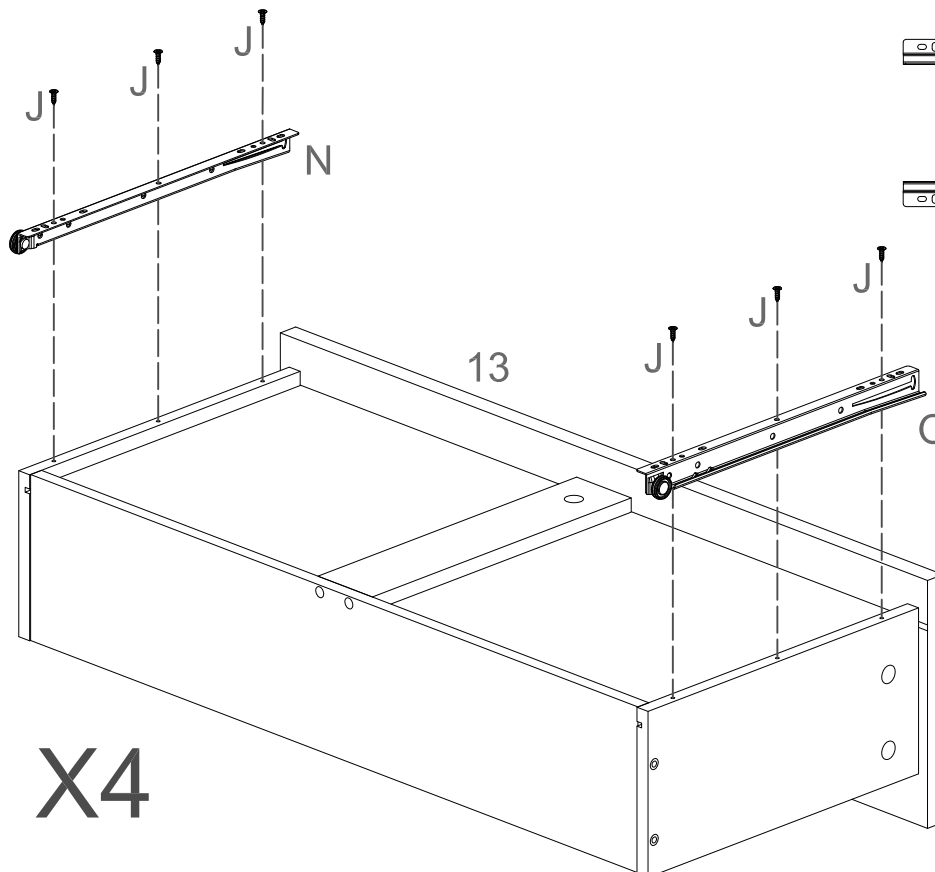
Step 6



Step 7

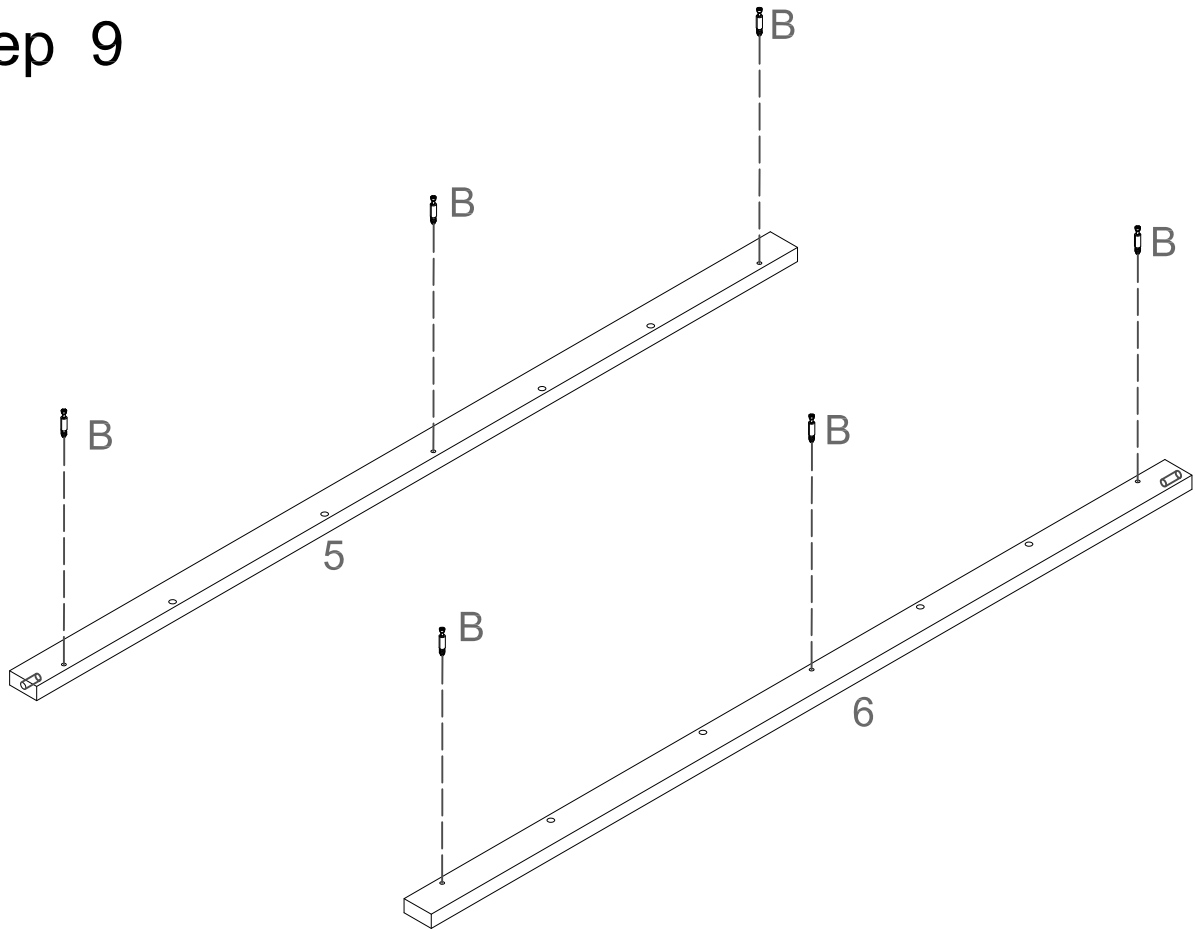


Step 8

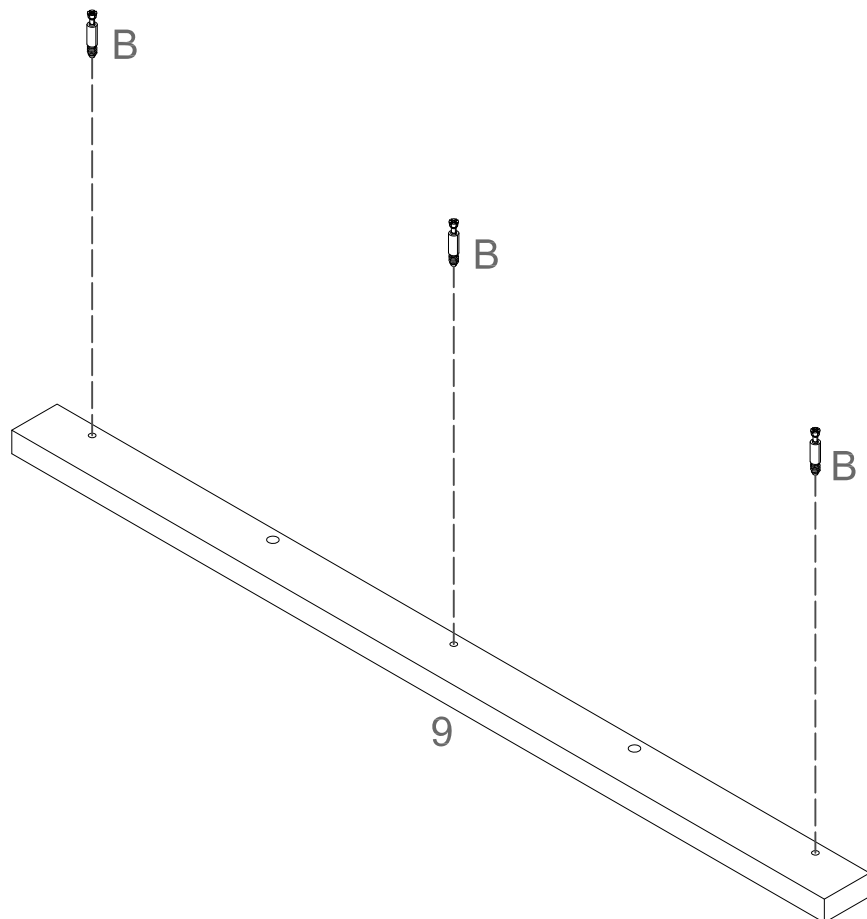


X4

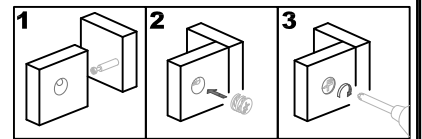
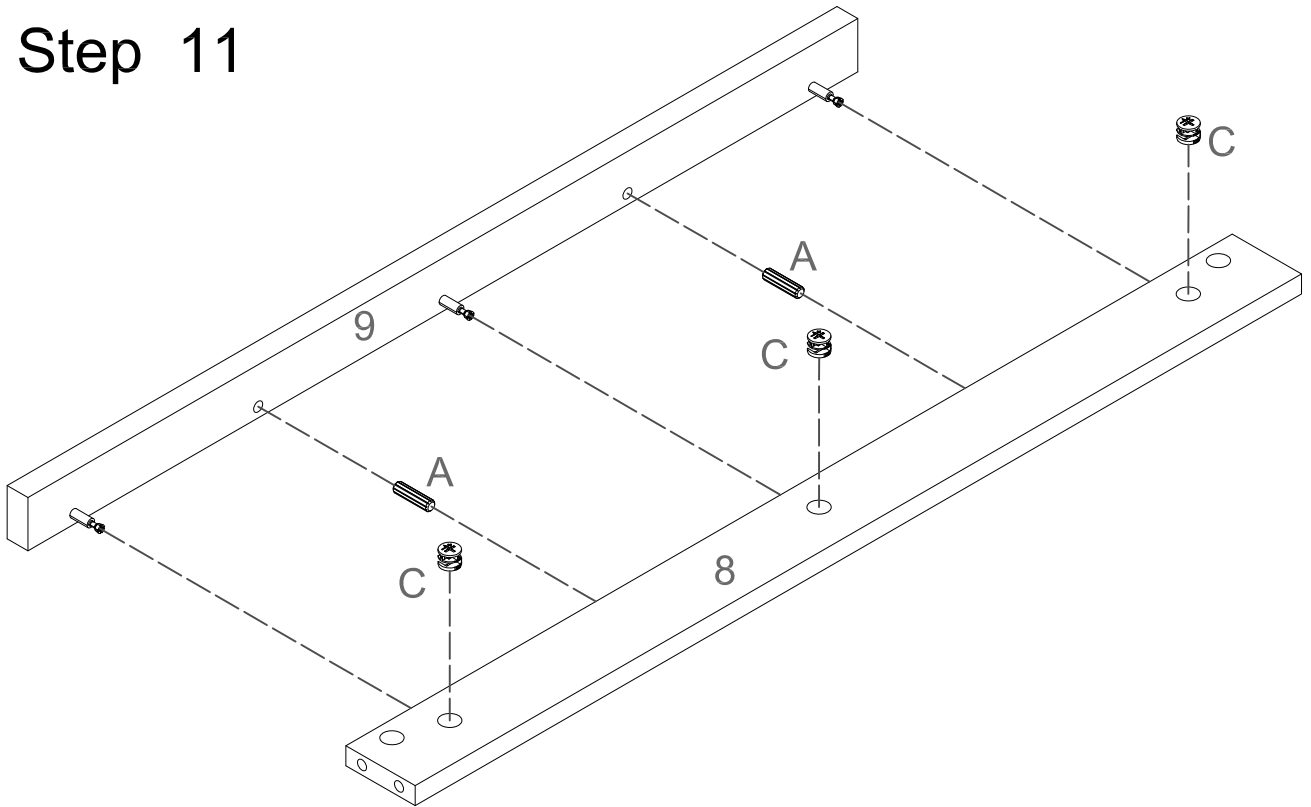
Step 9



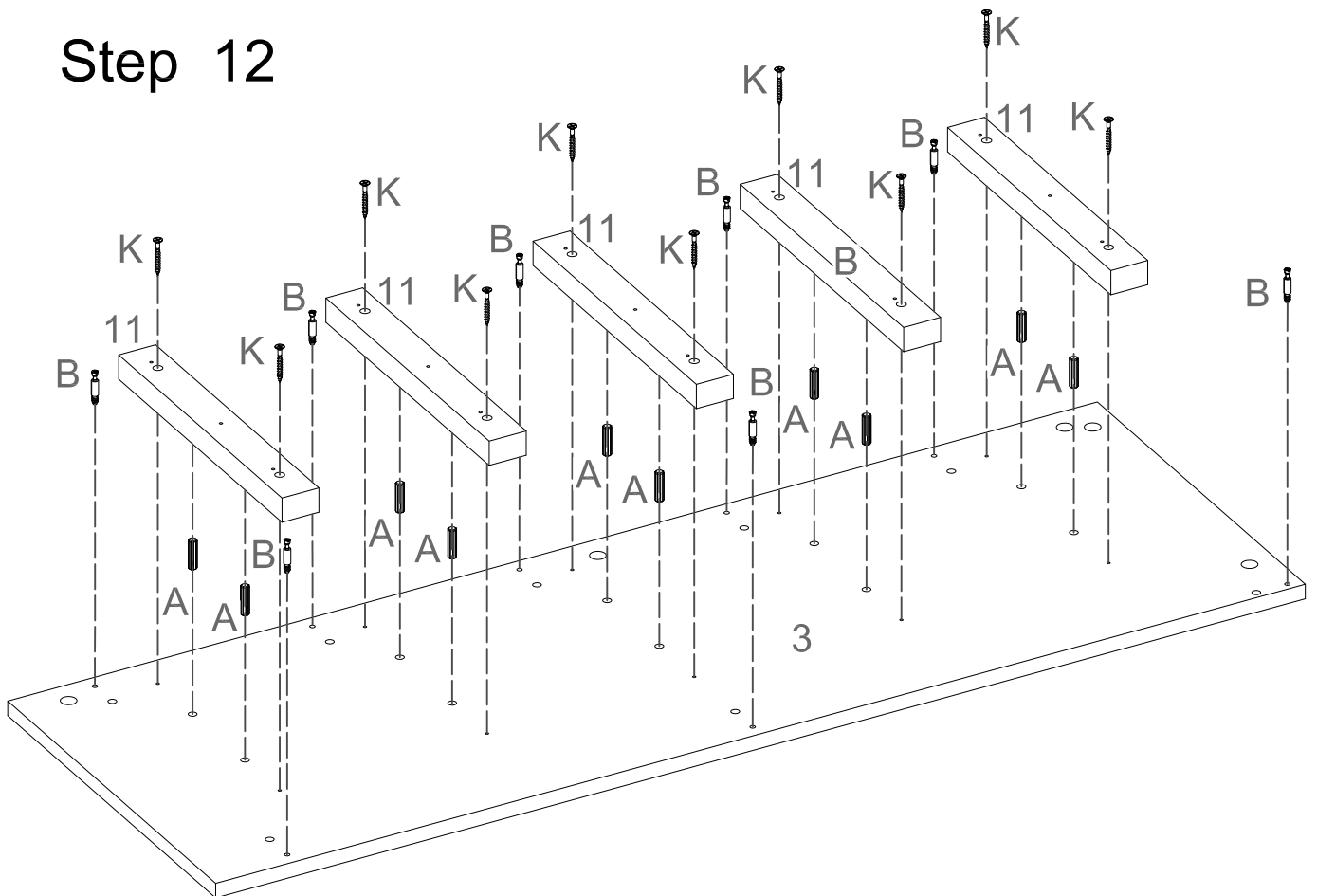
Step 10



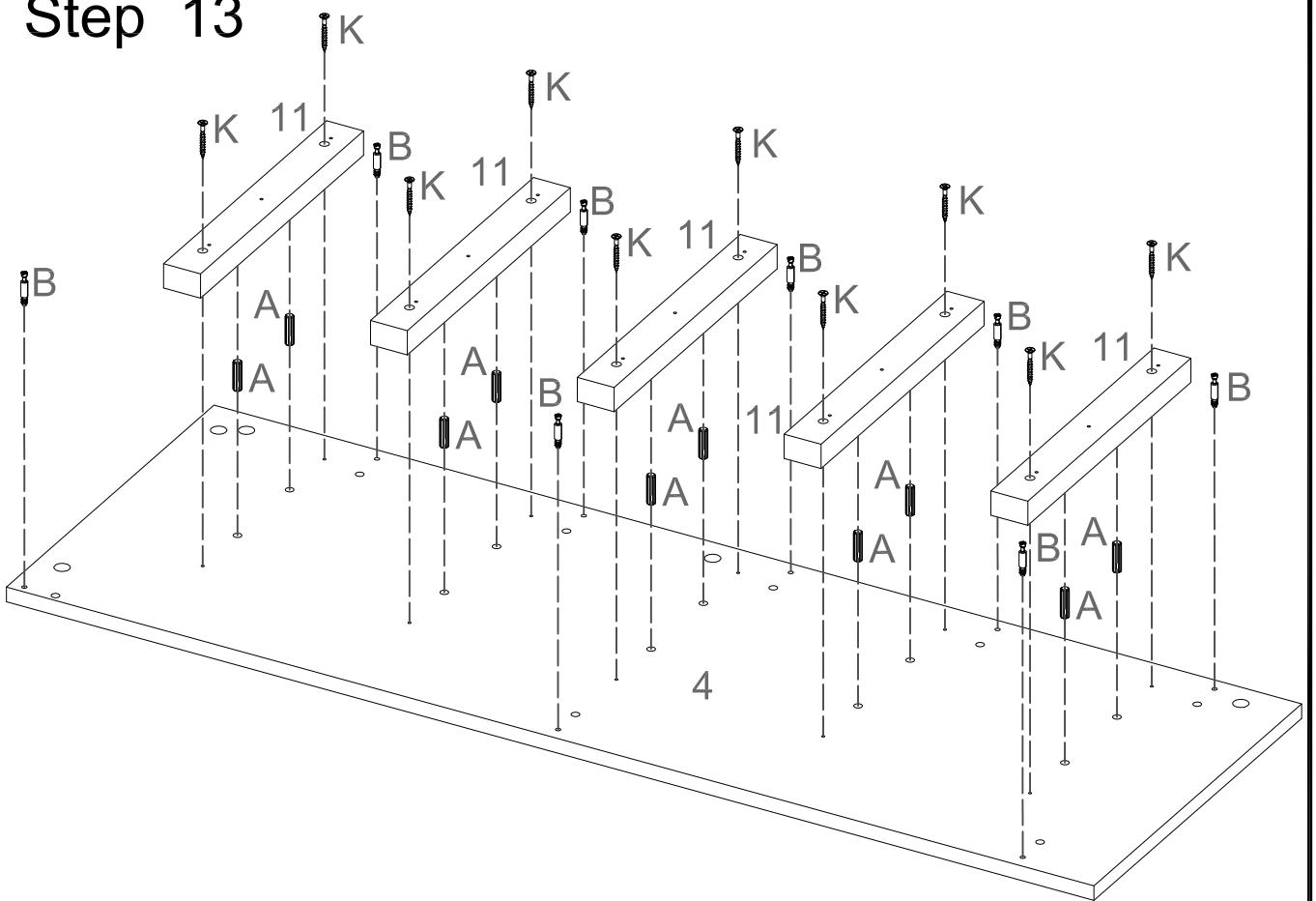
Step 11



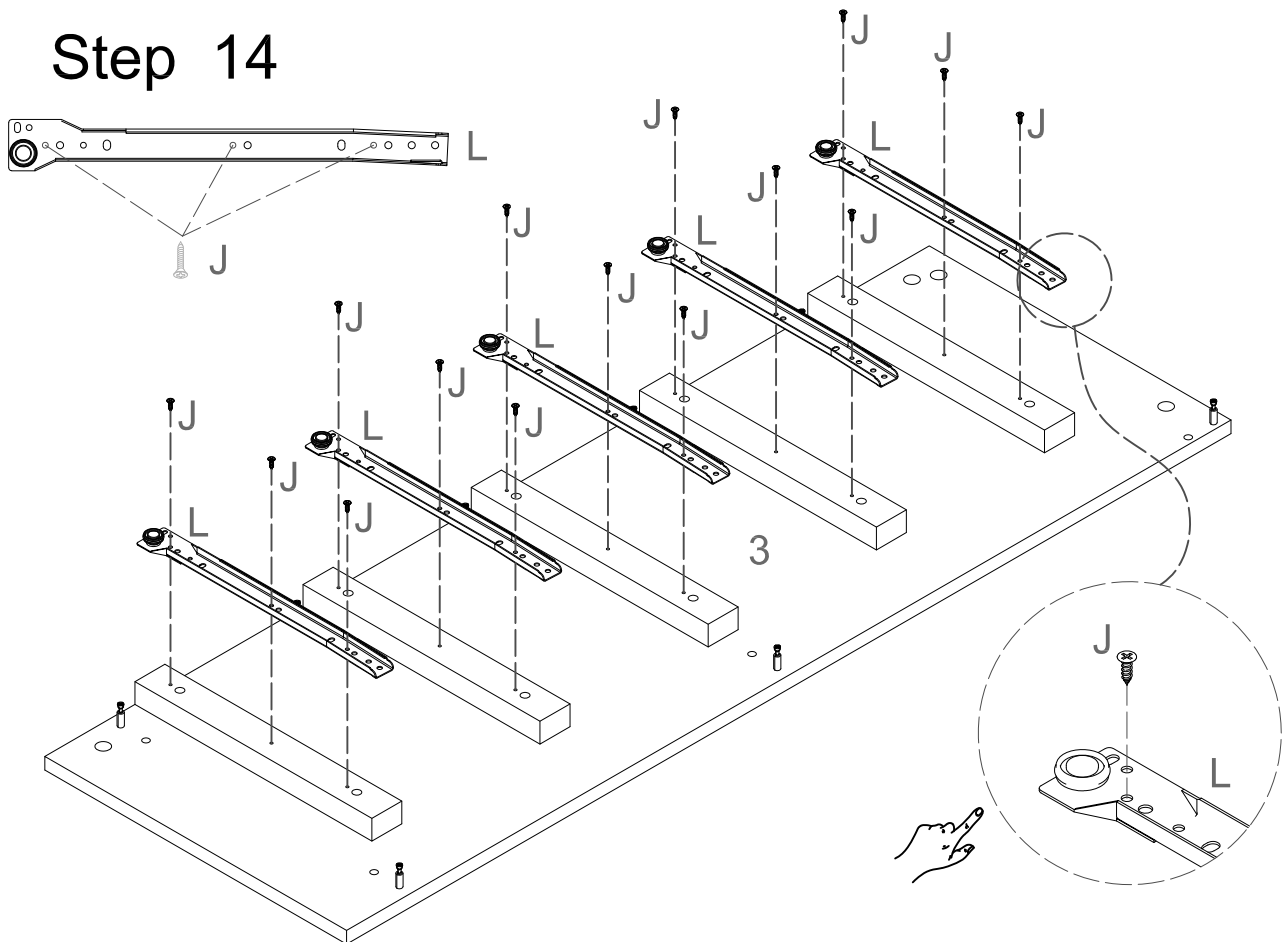
Step 12



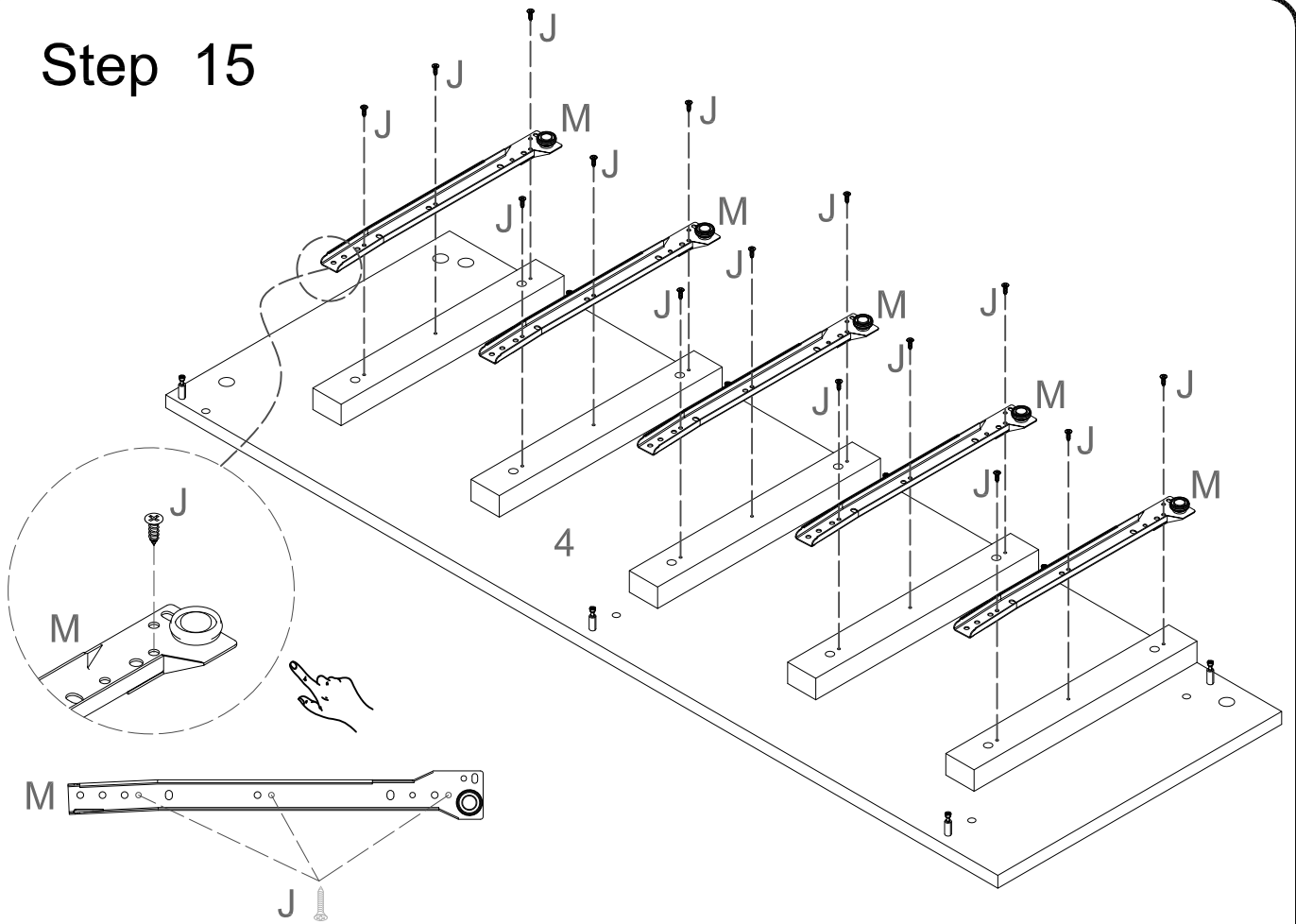
Step 13



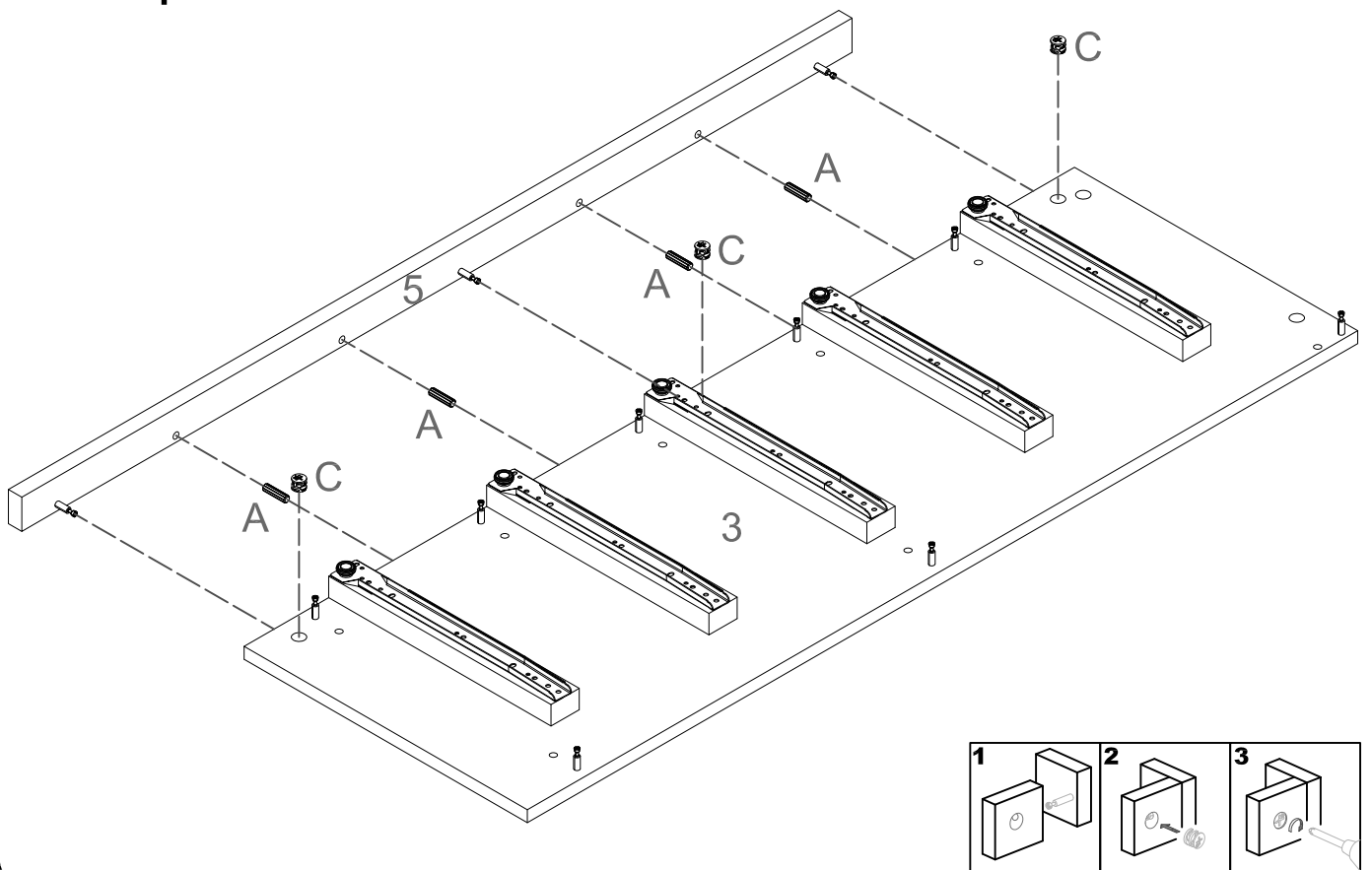
Step 14



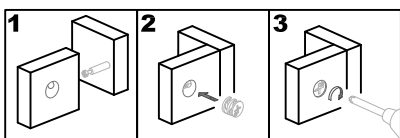
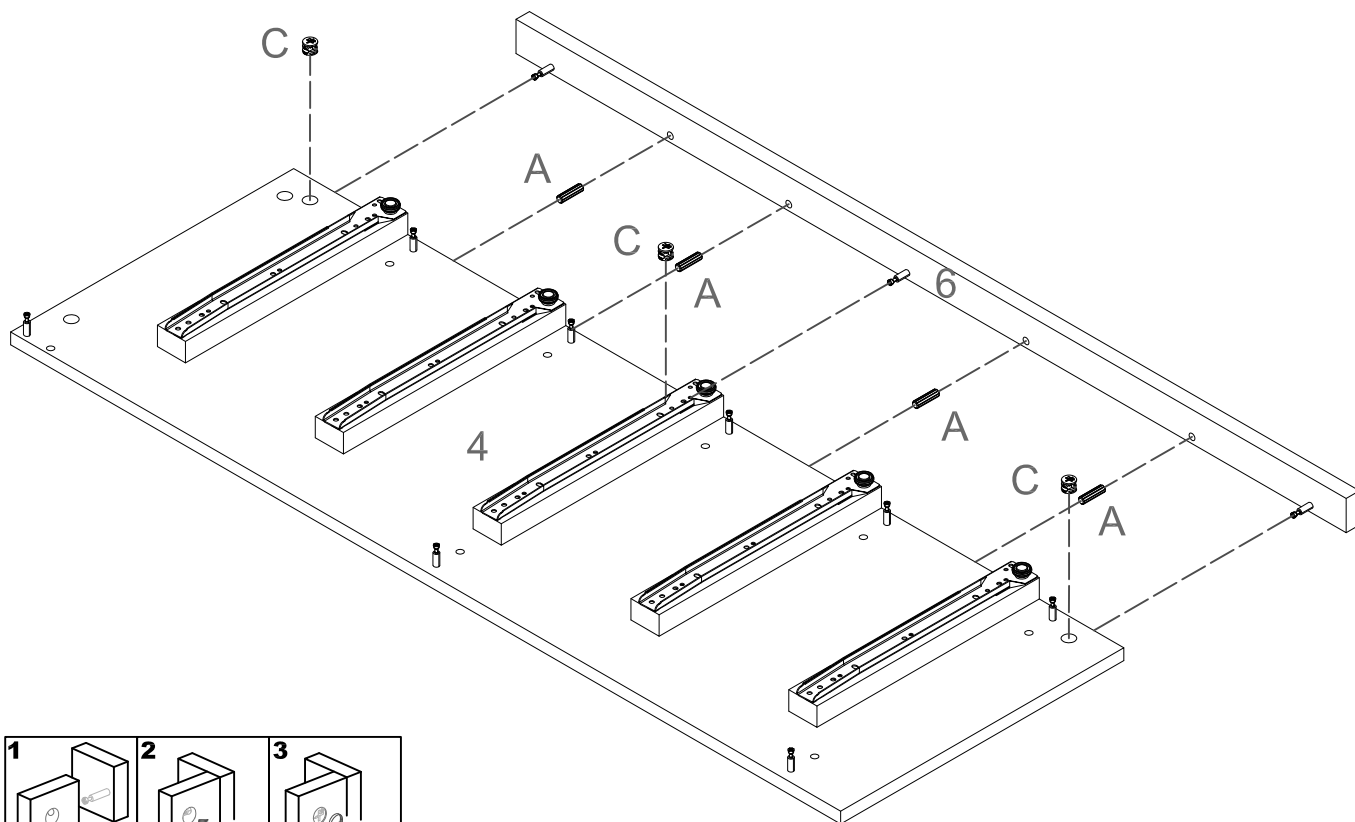
Step 15



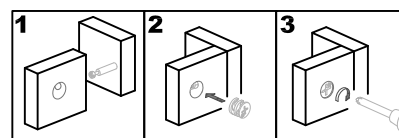
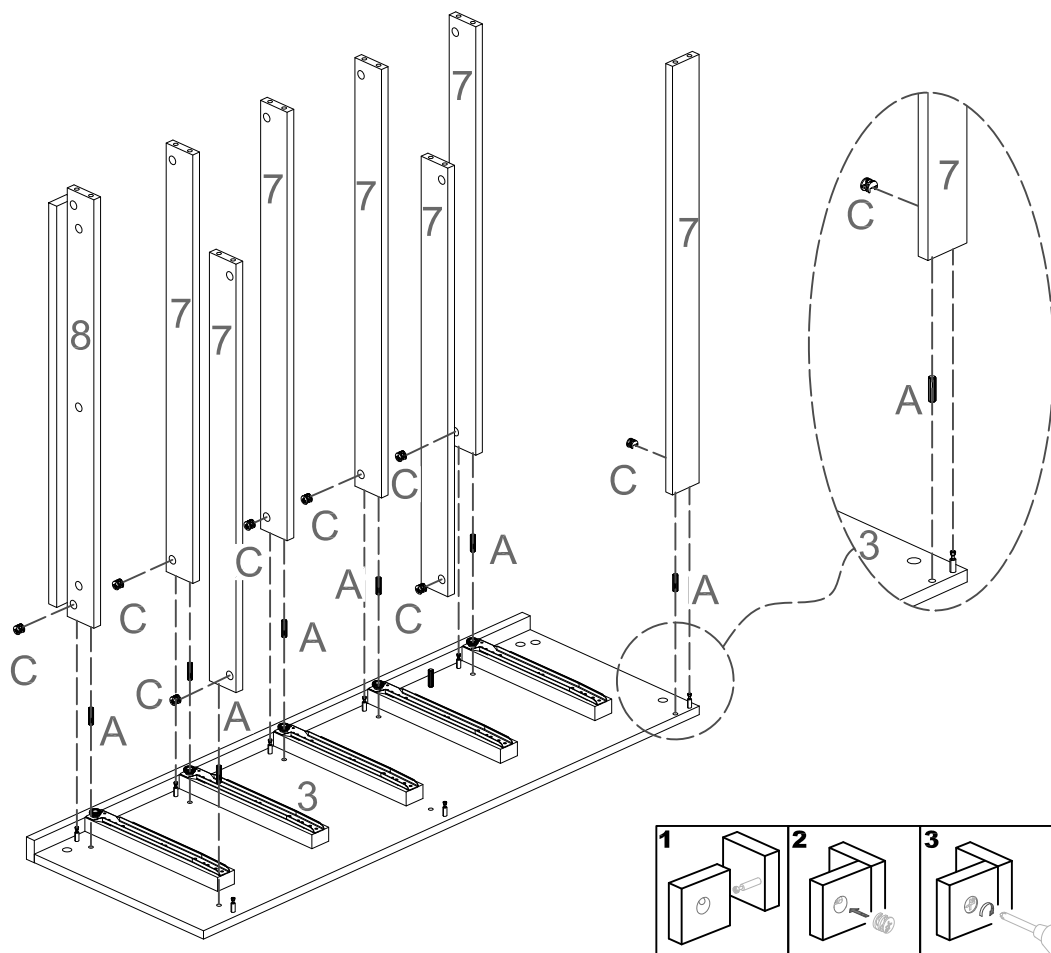
Step 16



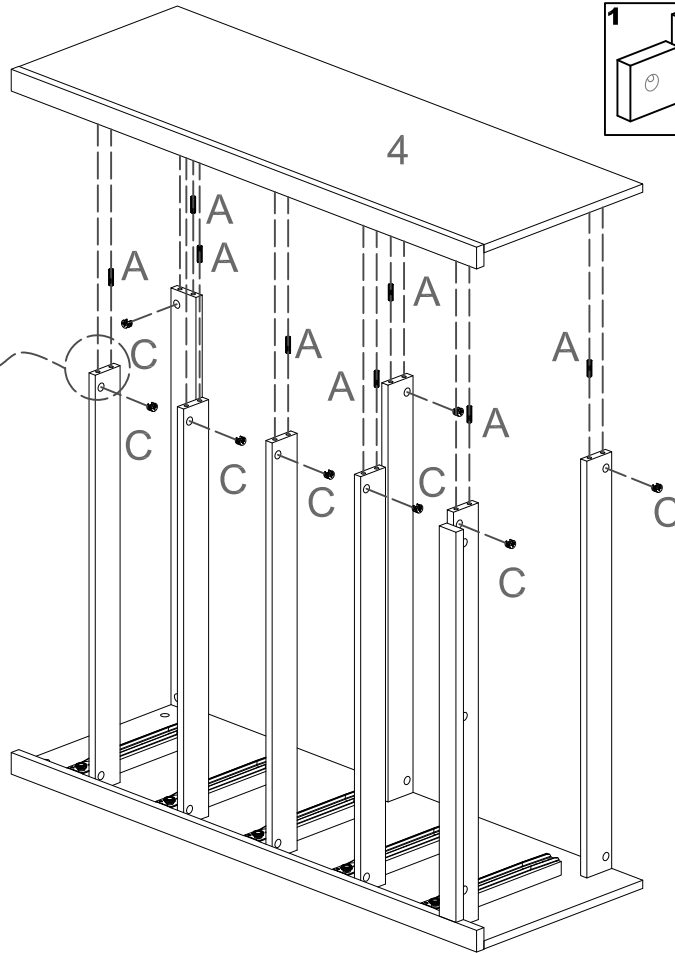
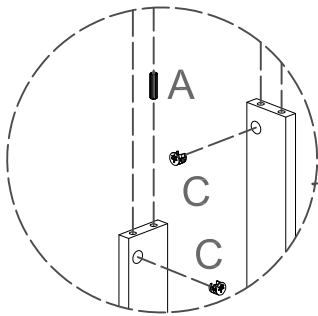
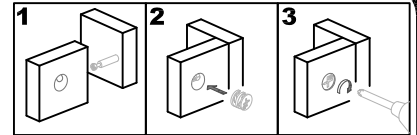
Step 17



Step 18

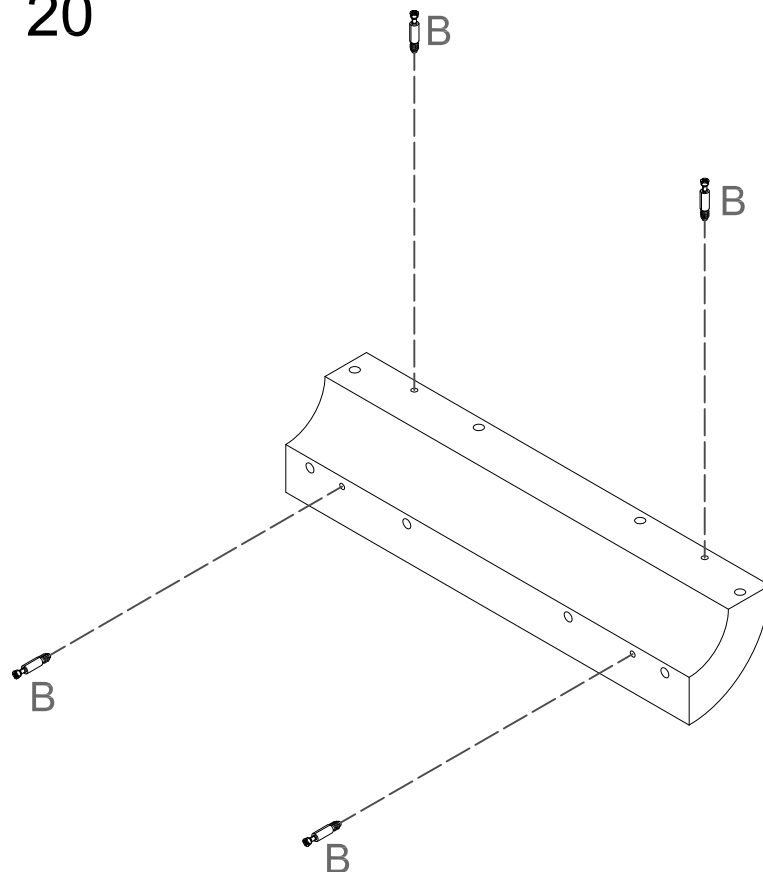


Step 19



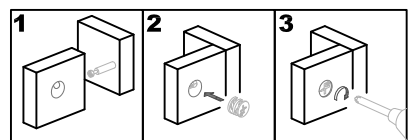
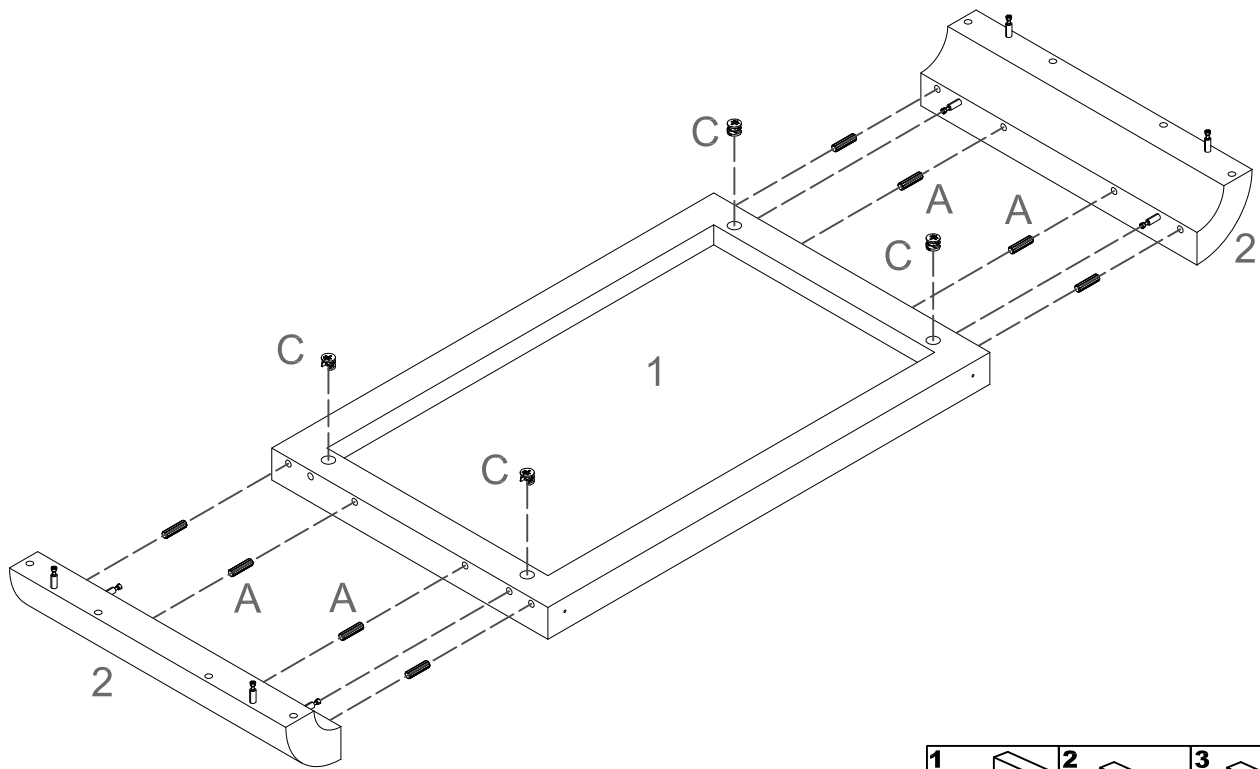
CAUTION: Heavy! You may need assistance with this step.

Step 20

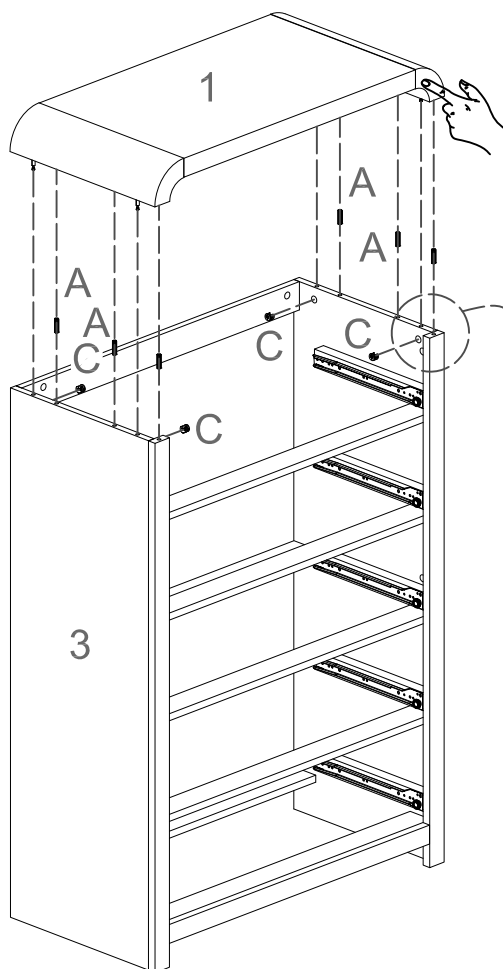


X2

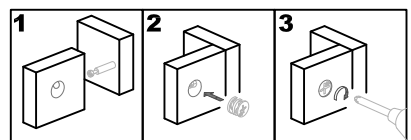
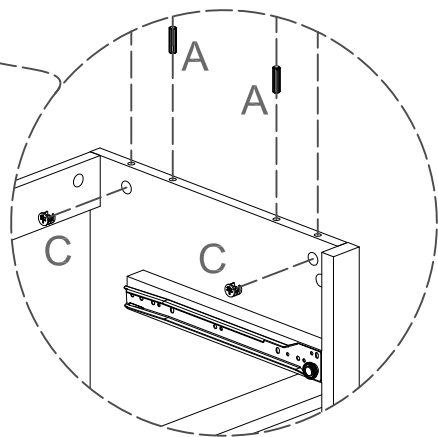
Step 21



Step 22

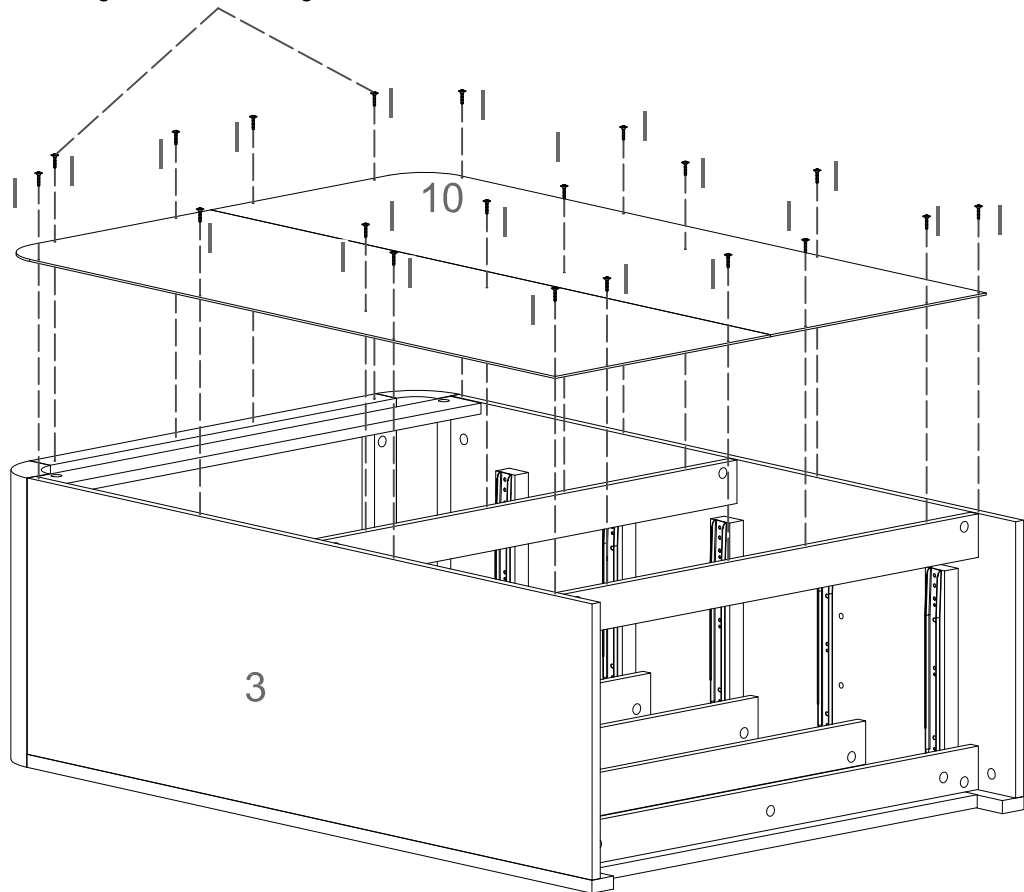


The surface without pre-drilled holes is located at the front.

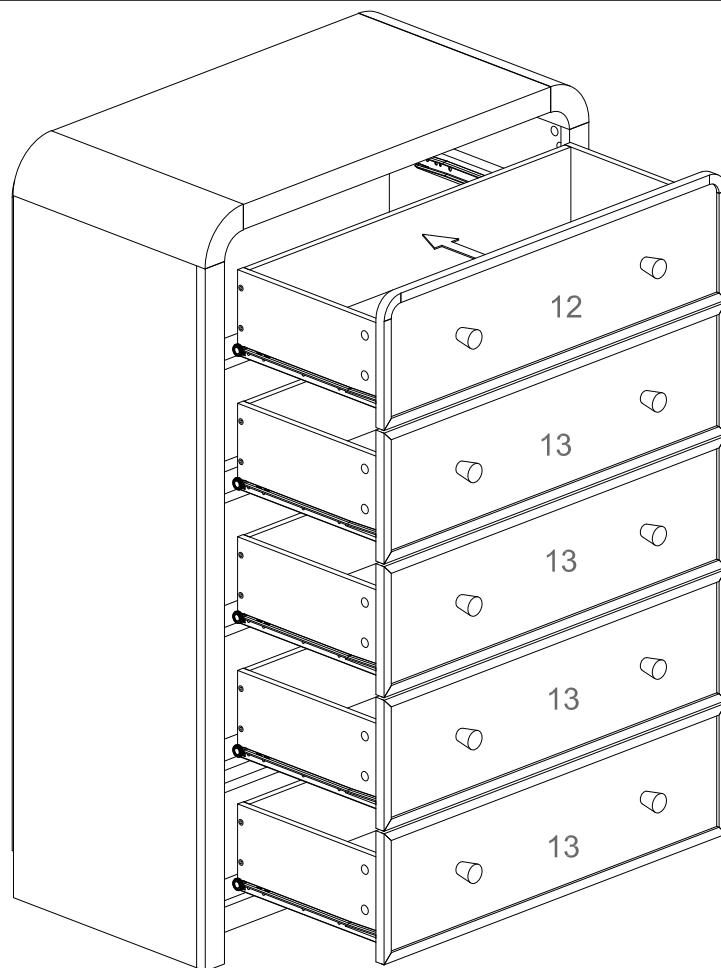
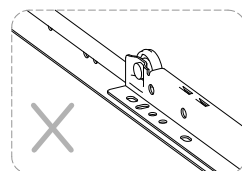
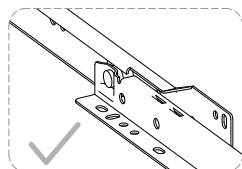
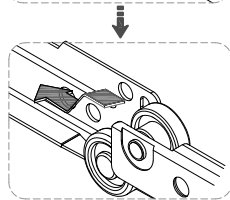
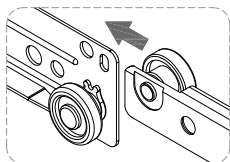


Step 23

First tighten these 2 screws, then tighten all remaining screws.

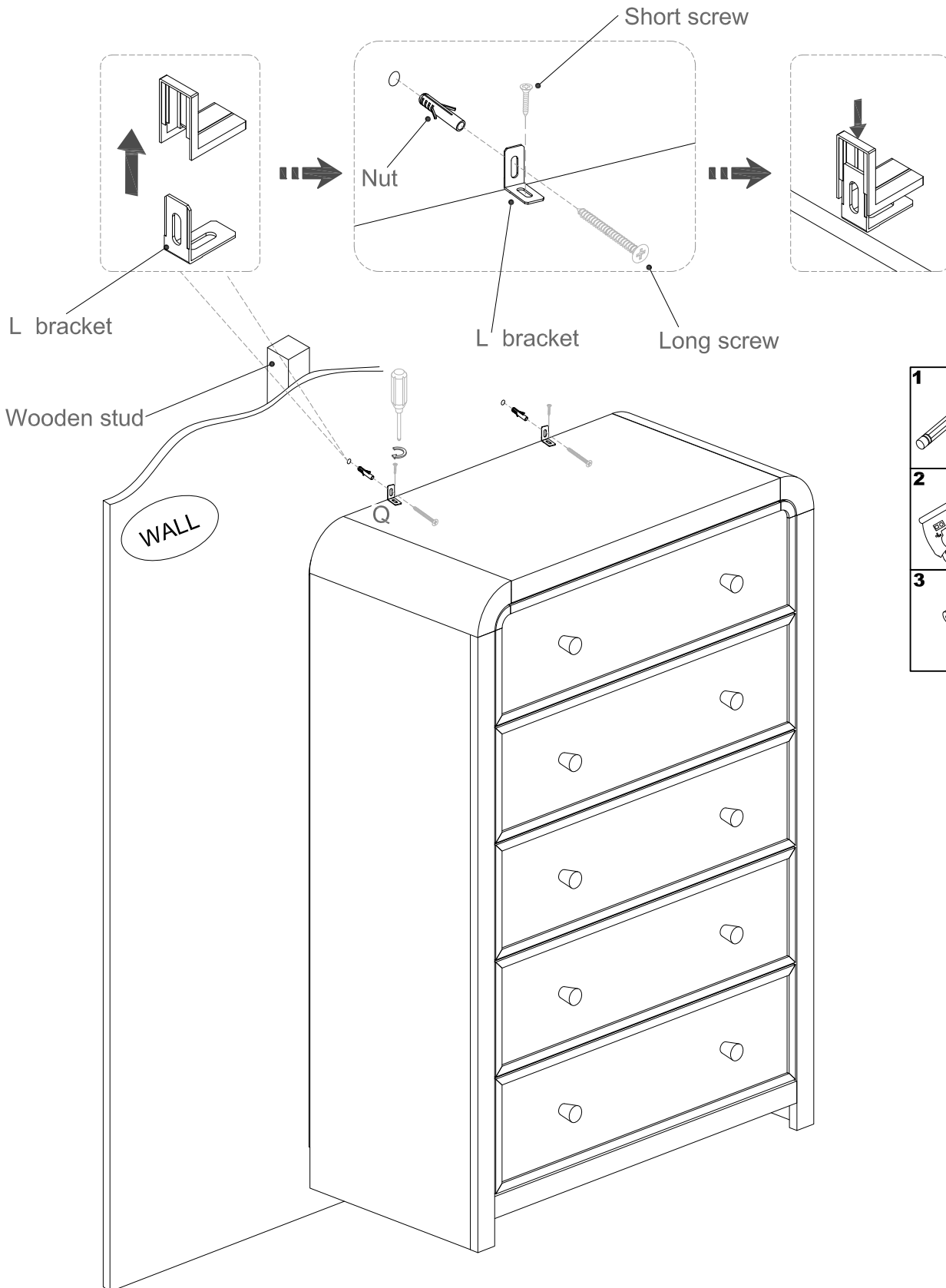


Step 24

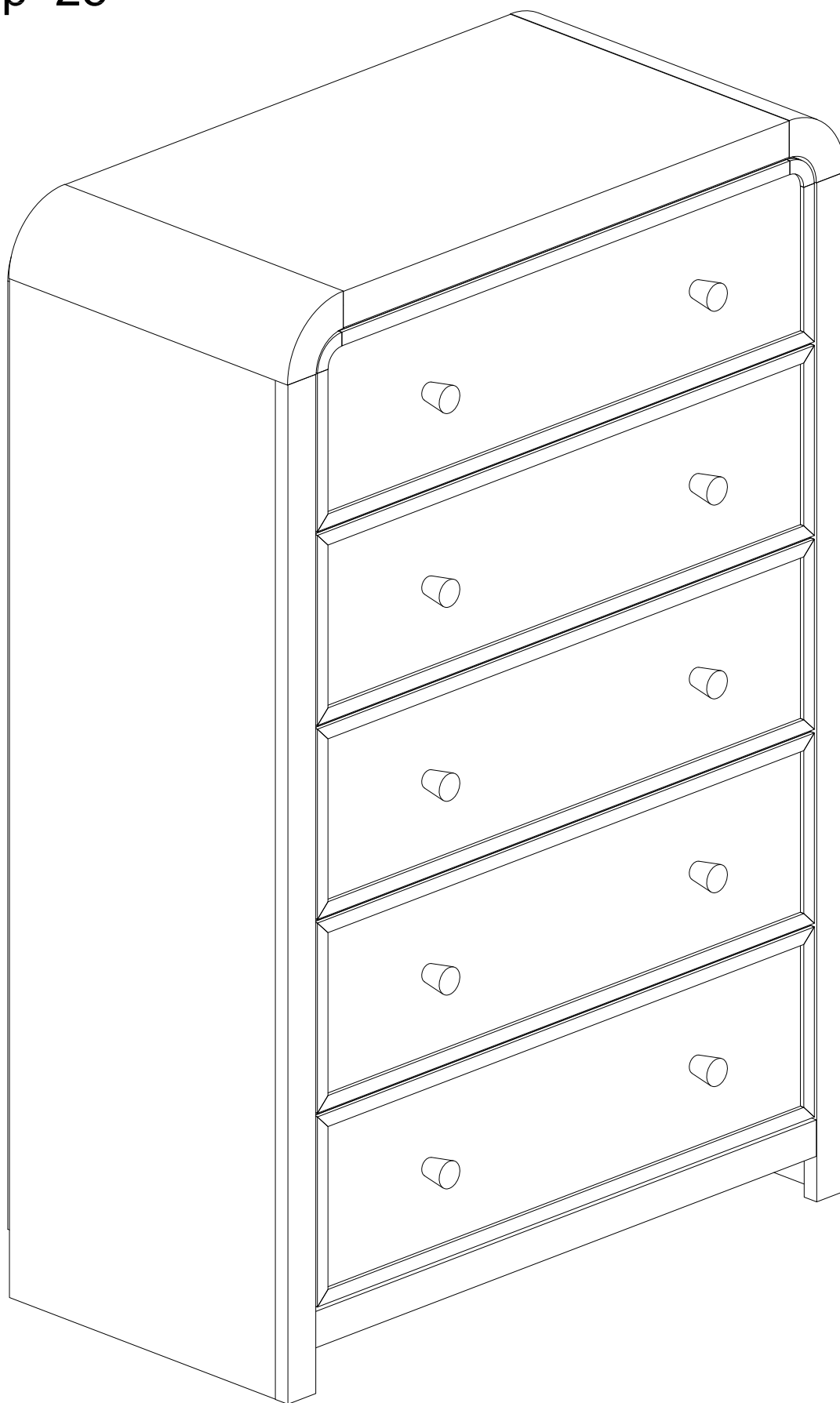


Step 25

Serious or fatal injuries can occur from furniture tipping over. To prevent the furniture from tipping over we recommend that it is permanently fixed to the wall. Wall anchor and hardware are included with this product. Please make sure hardware is suitable for your walls before installing, as different wall materials may require different types of anchors.



Step 25



Final Assembly