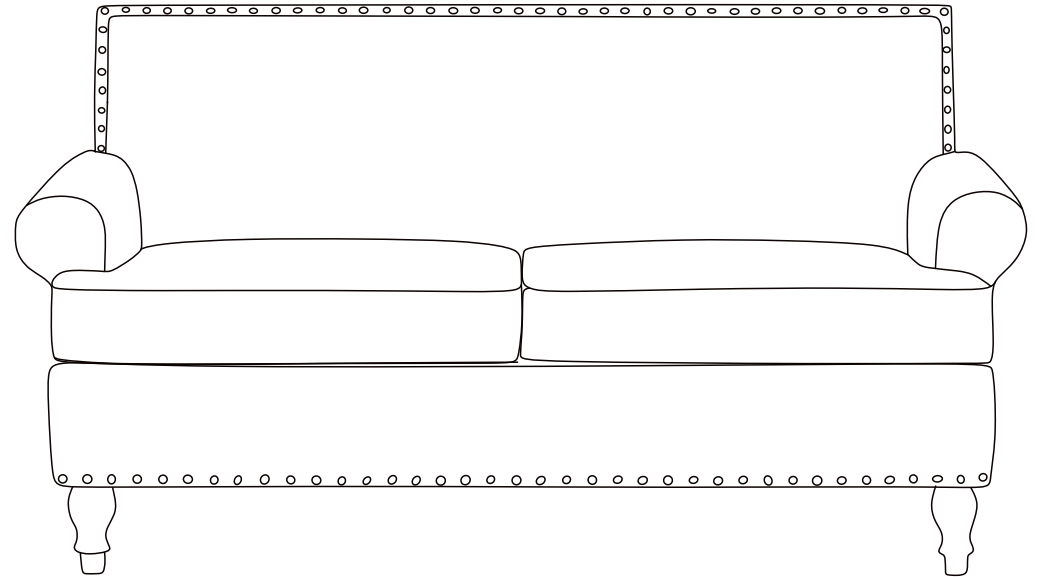


Instruction Manual

User Guide

Make life better

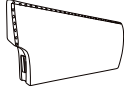
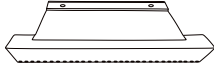






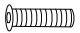
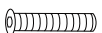




Warm tips: We are proud of high-quality products and satisfactory service, but the goods may encounter special circumstances during transportation, if you receive the goods with missing or damaged parts, please take photos and contact our customer service before returning the goods, we will customize a solution that satisfies you, thank you.



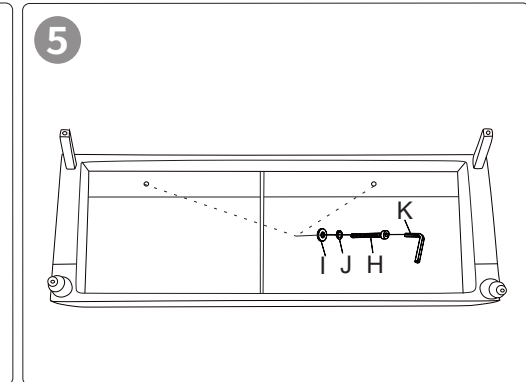
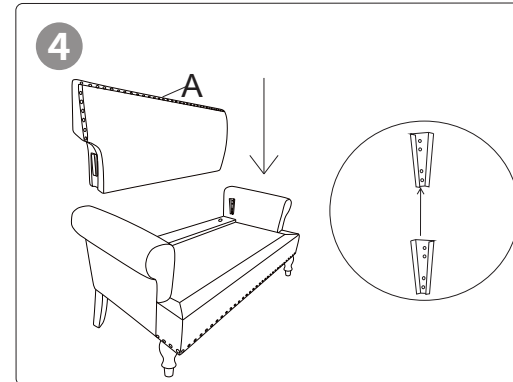
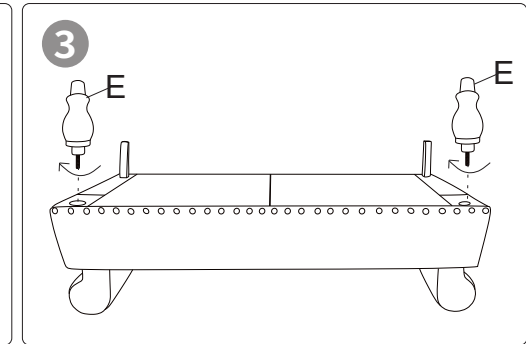
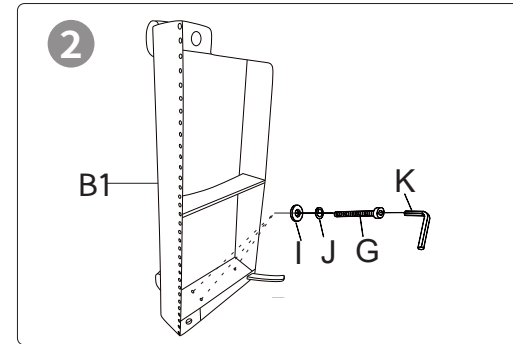
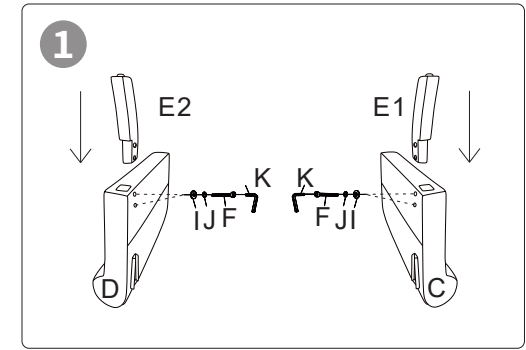
Note:

1. During the assembly of the two components, if there are multiple screws that need to be installed, you can first align all the screws with the hole position and manually turn a few turns to fix the position, and then tighten them all with a wrench.
2. The Flat Washer and Lock Washer must be installed to prevent the screw from loosening and damaging the connection part.

Instruction

| NO | DESCRIPTION | | QTY |
|----|----------------|--|-----|
| A | Chair Back |  | 1 |
| B1 | Seat Frame |  | 1 |
| B2 | Cushion |  | 2 |
| C | Left Handrail |  | 1 |
| D | Right Handrail |  | 1 |
| E | Fore Leg |  | 2 |
| E1 | Left Hind Leg |  | 1 |
| E2 | Right Hind Leg |  | 1 |
| F | Screw1 | $\Phi 5/16$ " * 1-9/16 " L  | 4 |
| G | Screw2 | $\Phi 5/16$ " * 2-3/8 " L  | 6 |
| H | Screw3 | $\Phi 5/16$ " * 3-1/8 " L  | 2 |
| I | Flat Washer | $\Phi 5/16$ " * 22mm  | 11 |
| J | Lock Washer | $\Phi 5/16$ "  | 11 |
| K | Allen Wrench | $\Phi 5$ mm  | 1 |

Installation Method



- 1 As shown in the picture, insert the left and right hind legs (E1, E2) into the left and right armrests (C, D) respectively.
- 2 Install the armrests (C, D) and seat frame (B1) as shown in the picture.
- 3 Rotate the front legs clockwise (E).
- 4 Insert the chair back (A) into the seat frame (B1).
- 5 Turn the chair over and install the screws on the backrest and the bottom of the seat frame.
- 6 Place the seat cushion (B2). Peel off the Velcro at the bottom of the seat cushion and secure the seat cushion.

Note: This sofa comes in two boxes, AB. Please check the product quantity. The legs and hardware bag are placed in the inner box, and the inner box is placed in box A.